

## Justification statement for Antenna

To: Federal Communication Commission  
Equipment Authorization Branch  
7435 Oakland Mills Road  
Columbia, MID 21046

**Regarding:** FCC ID:2AJ9T-21012

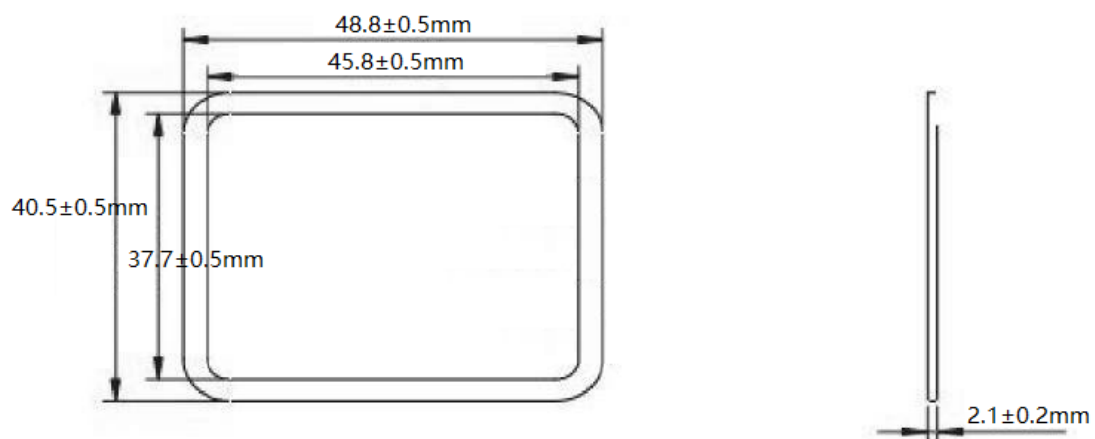
Dear Sir/Madam,

Only radiated measurements are used for EUT with FCC ID:2AJ9T-21012 to show compliance with FCC limits for fundamental and spurious emissions. All measurements were performed radiated and therefore additional antenna gain documentation is not required.

The detailed information for antenna as below shows:

| Design Specifications | Typical  |
|-----------------------|--|
| Antenna Type          | 13.56MHz & 125KHz: Loop Antenna                        |
| Working Frequency     | 13.56MHz & 125KHz                                      |
| Overall Dimensions    | 13.56MHz:48.8*40.5*2.1mm<br>125KHz: 55.6mm*43.7*0.45mm |

13.56MHz's antenna dimensions picture



125KHz's antenna dimensions picture(Unit:mm)

