

Antenna Specification

RFID 13.56MHz

Specification	
Model	NFACE280_ANT-V1.0-220915
PCB Material	FR-4
Cable Length	1mm
Card Support	MF/IC Card
Frequency	13.56MHz

Dimensional drawing:

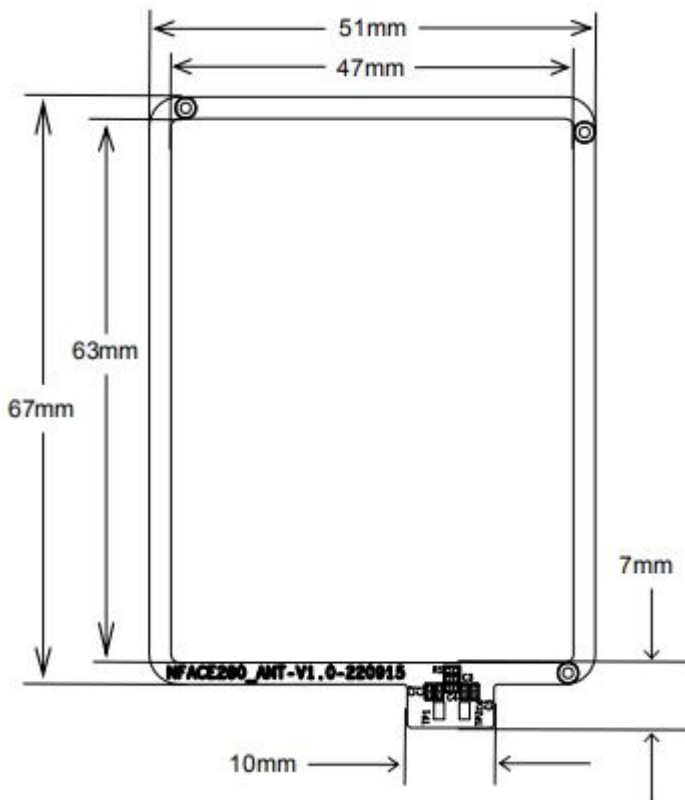
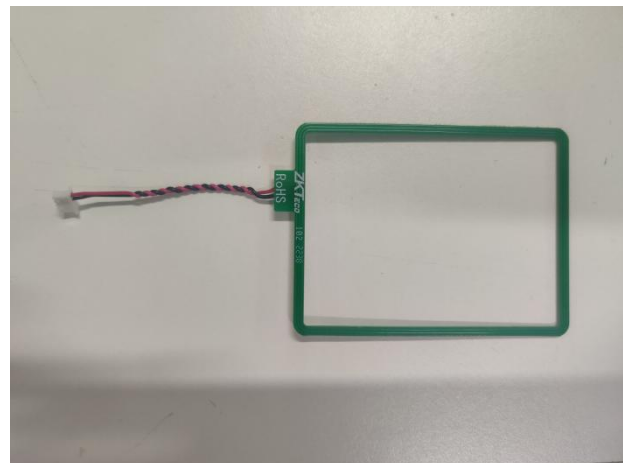
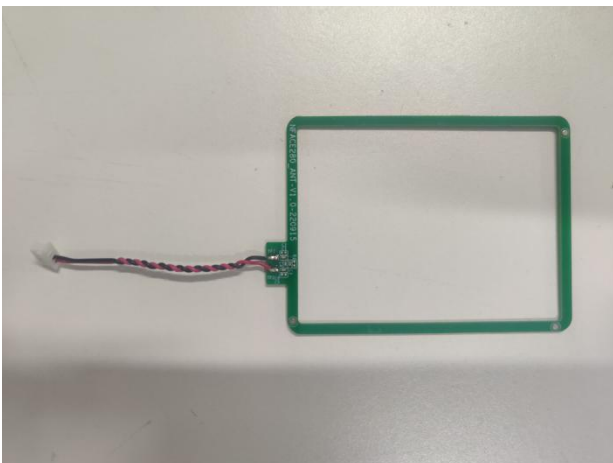


Photo:



Manufacturer: ZKTECO CO., LTD.

Address: No.32,Pingshan Industrial Avenue,Tangxia Town,Dongguan City,Guangdong Province, China