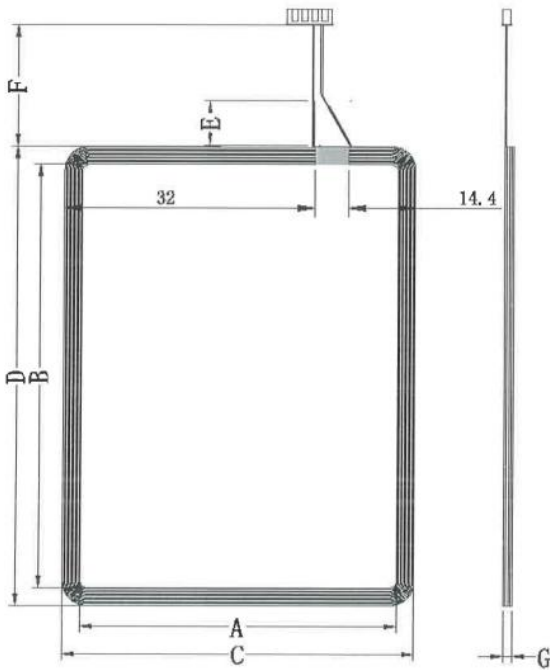


Antenna Specification

RFID 125KHz

Specification	
Model	nFace280
Card Support	ID Card
Frequency	125KHz
Turns	73TS
Wire Dia	0.15 (Stranded Wire)

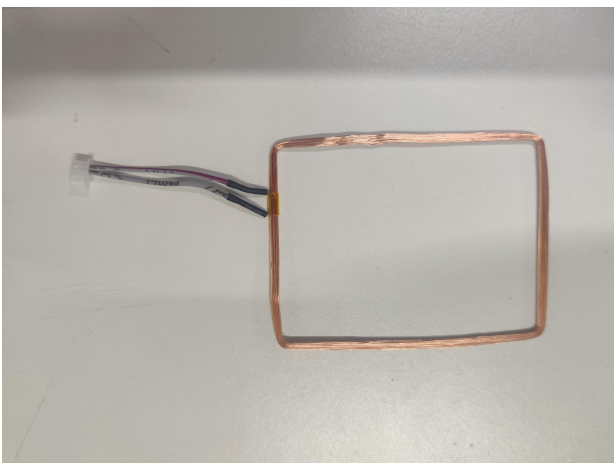
Dimensional drawing:



Unit:mm

A	B	C	D	E	F	G
46.7 ± 0.5	63 ± 0.5	51.4 ± 0.5	67.6 ± 0.5	10 ± 0.5	38 ± 0.5	1.4Max

Photo:



Manufacturer: Shenzhen Surbaner Technology CO.,LTD

Address: Building B25, Hengfeng Industrial City, Hezhou Community, Xixiang Street, Baoan District, Shenzhen, Guangdong, China