

Antenna specification

Customer Name	ZKTECO CO., LTD.		
Customer Project Name	D3	Surbaner Project Name	D3
Customer P/N	*****	Surbaner P/N	9010-170-00462-V01
Band	*****		
Version	A0		
Designer Information			
RF Engineer	zhuhaokui	R&D Director	zhuhaokui
ME Engineer	ZouRongkai		

Surbaner Approval			Customer Approval		
	Prepared By	Checked By	Approval By	Checked By	Approval By
Signature	LiuShengrong	zhuhaokui	ZengBinghao		
Date	Oct. 26. 2022	Oct. 26. 2022	Oct. 26. 2022		

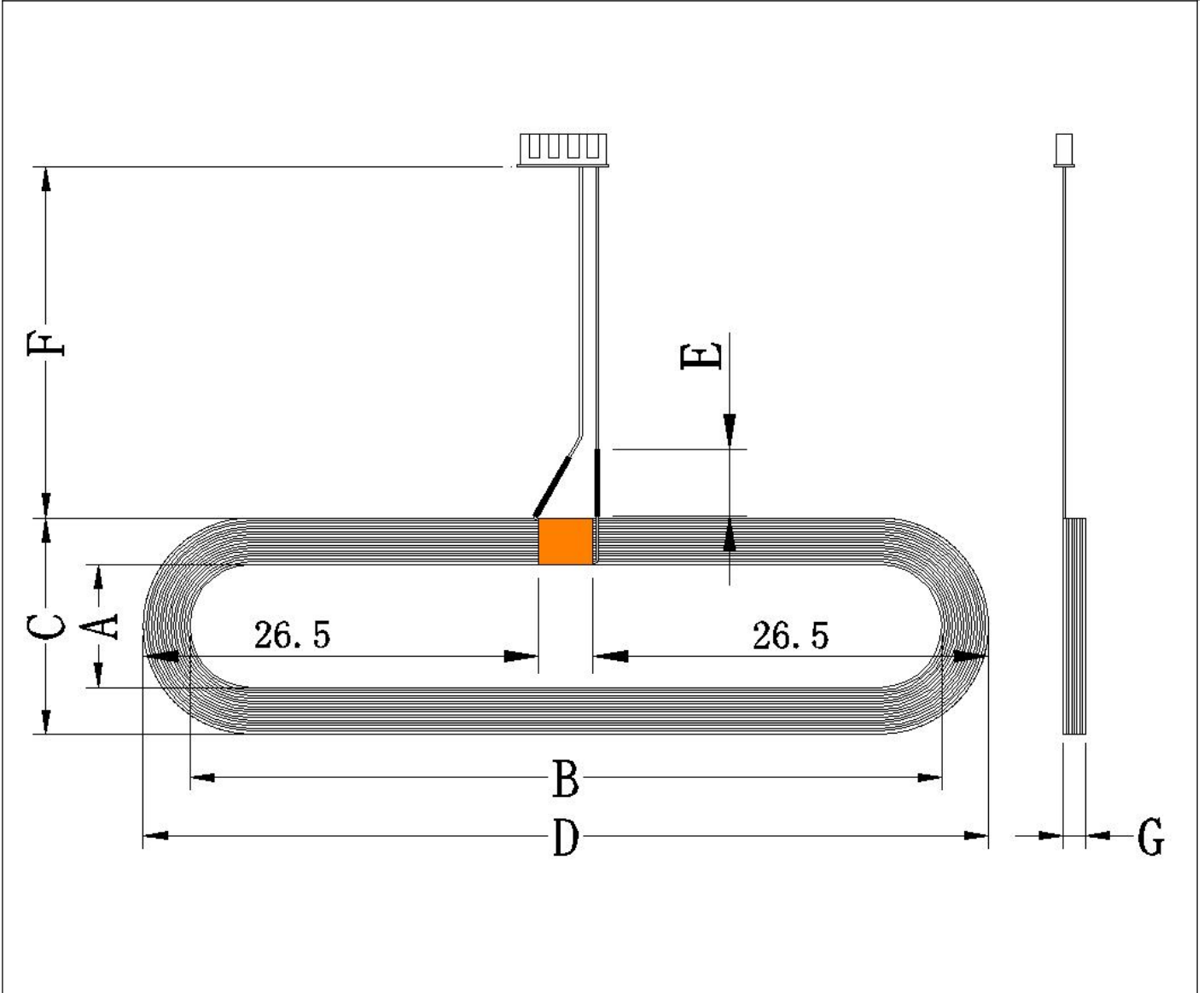
Change Log				
Version	Change Description	Person in Charge	Approval By	Date

/Catalogue

No.	Item	Page No.
1	Drawing or Product Image	3
2	Electrical characteristics	4
3	Bill of mareriaia	4
4	Inductance test diagram	4

Drawing or Product Image

Specification	CUST P/N	9010-170-00462-V01
	Model	9*55*13.6*57.9*0.15*95TS*60MM



Unit:(mm)

A	B	C	D	E	F	G
9±0.5	55±0.5	13.6±0.5	57.9±0.5	10±0.5	60±2	1.92±0.15

Specification		CUST P/N	9010-170-00462-V01			
		Model	9*55*13.6*57.9*0.15*95TS*60MM			
Turns	Wire Dia.	Wdg. Type Spred/Close	Wdg. Direction	Intersect Yes/Not	Coil Positive/Anti Paste	
95TS	0.15self- Stranded wire	Close	Anticlockwise	Yes	Right (Positive)	
All materials required to meet ROHS standards						

1. ELECTRICAL CHARACTERISTICS:

TEMPERATURE: $25 \pm 10^{\circ}\text{C}$, RELATIVE HUMIDITY: $65 \pm 10\%$

NO.	ITEM	TERMINAL	SPECIFICATION	TEST FREQUENCY	TEST EQUIPMENTS
1	IND	S-F	Coil: $590 \mu\text{H} \pm 2\%$	100kHz/V	TH2830 LCR Meter

2. BILL OF MATERIAIS:

NO.	Material name	Description	Material Code	Vendor code
1	Wire	0.15 self-adhesive wire	RFX-2U-F-0015	DY
2	Gold finger tape	5mm	High temperature adhesive paper 5MM	JRM
3	Terminal	28AWG 4P2 Line Spacing 1.25	/	LC
4	Heat shrinkable sleeve	1.0*10MM (Black)	RS-TG-30-006	KK

Inductance test diagram

