

## SILVERCREST®



**BLUETOOTH®-LOUDSPEAKER SBLP 5.0 B1**  
Copy of the operating instructions

IAN 330233\_1904



### Thank you for your trust!

Congratulations on your purchase of your new portable Bluetooth speaker.  
For safe handling of the device and in order to get to know the entire range of features:

- **Thoroughly read these user instructions, prior to initial use.**
- **Above all, observe the safety information!**
- **The device should only be used as described in this copy of the user instructions.**
- **Keep this copy of the user instructions for future reference.**
- **If you pass the device on to someone else, please include this copy of the user instructions. The user instructions are a part of the product.**

We hope you enjoy your new portable Bluetooth speaker!

### Terminology

As used in this instruction manual in general and with regard to safety information, safety messages and warnings, in particular, the following words have the following meanings:

- May: this word is understood to be permissive.
- Shall: this word is understood to be mandatory.
- Should: this word is understood to be advisory.



### WARNING

WARNING indicates a hazardous situation that, if not avoided, could result in death or serious injury.



### CAUTION

CAUTION indicates a hazardous situation that, if not avoided, could result in minor or moderate injury.

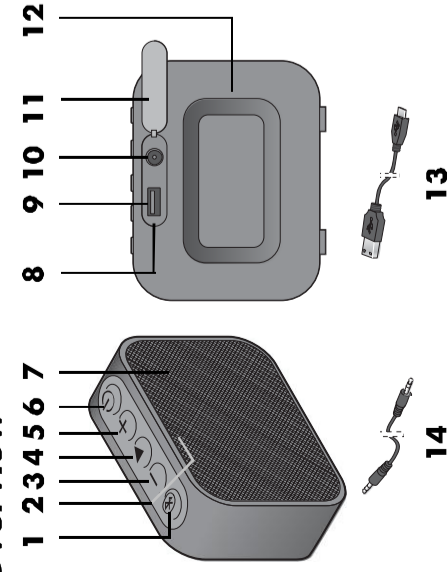
### NOTICE

indicates a situation which could lead to property damage.

### TIP

indicates circumstances and specifics that should be observed when handling the device.

### Overview



- 1 Pairing button
- 2 Operating-mode LED
- 3 Button -
- 4 Button +
- 5 Button On/off
- 6 Speaker
- 7 Charging LED
- 8 Micro USB port
- 9 Socket for 0.141 inch TRS connector
- 10 Rubber covering
- 11 Membrane
- 12 USB charger cable for Micro USB / Type A
- 13 0.141 inch TRS cable
- 14

### Intended purpose

This is an entertainment electronics device. The Bluetooth speaker is intended for playing sound from audio devices via Bluetooth or using the 0.141 inch TRS socket. The speaker can be connected to your device together with another speaker using TWS.

The device is designed for private home use. This device must not be used for commercial purposes.

Do not make any changes or repairs. The manufacturer is not liable for damage or malfunctions caused by improper repairs or modifications. This is the sole responsibility of the user.

## IMPORTANT SAFETY GUARDS



### WARNING

When using electrical appliances, basic safety precautions should always be followed including the following:

#### READ ALL INSTRUCTIONS BEFORE USING

1. Close supervision is necessary when this appliance is used by, on, or near children or individuals with certain disabilities.
2. Use this appliance only for its intended use as described in this manual. Do not use attachments not recommended by the manufacturer.
3. Never operate this appliance if it is not working properly or if it has been dropped or damaged. Return the appliance to a service center for examination and repair.

4. This appliance is not intended for use by persons (including children) with reduced physical, sensory or mental capabilities, or lack of experience and knowledge, unless they have been given supervision or instruction concerning use of the appliance by a person responsible for their safety. Children should be supervised to ensure that they do not play with the appliance.

## SAVE THESE INSTRUCTIONS

## IMPORTANT SAFETY INSTRUCTIONS

If necessary, the following symbols and warnings will be used in this copy of the user instructions:

### Safety Alert Symbol

This is the safety alert symbol. It is used to alert you to potential personal injury hazards. Obey all safety messages that follow this symbol to avoid possible injury and death.

### Meaning of the signal words



### DANGER

DANGER indicates a hazardous situation that, if not avoided, will result in death or serious injury.

### Items supplied

- 1 Bluetooth speaker
- 1 USB charger cable (Type A on Micro USB) **13**
- 1 0.141 inch TRS audio cable **14**
- 1 copy of the user instructions
- 1 copy of the quick reference guide

### Before using for the first time

- Remove all packing materials.
- Remove all protective films from the device.
- Check that the device is undamaged. A damaged device must never be used.

- Drips and water splashes
- Heat, direct sunlight, and open flames (e.g., candles)
- Knocks and similar actions

Protect the cable against damage, for example from:

- sharp edges
- hot places
- clamping or crushing

Do not use any abrading or abrasive cleaning agents.

In order to avoid any hazards, do not make modifications to the device. Repairs must be carried out by a specialist workshop or the Service Center.

in a car the storage temperature may significantly exceed 104 °F.

- ⊗ Because of the high power consumption, do not charge the loudspeaker through a laptop / PC. Only charge the loudspeaker via a USB power unit (5 V, min. 1 A, not included in the items supplied).
- ⊗ The battery may only be charged with the original accessory (the USB charger cable).



### CAUTION

#### Risk of material damage

- ⊗ If you notice any unusual happening (e.g., unusual noises, strange smells or smoke developing) turn the device off immediately and remove all cables. Do not use the device any longer.
- ⊗ If the device is moved from a cold location to a warm location, condensation may form in the device. Leave the device switched off for a few hours while it becomes acclimatized.
- ⊗ Protect the device against damage, for example from:

### Operation

#### Functions of the buttons

**TIP:** It is possible that not all of the functions will be supported by all audio devices. This is not a device error.

Button	Function
⊕	• Switching on/off: Press for approx. 2 sec. • A brief sound sequence is audible.
+ 5	• Press briefly: Increase the volume (audio signal at maximum volume) • Keep pressed: next track
▶ 4	• Press briefly: pause / play
- 3	• Press briefly: Reduce the volume (audio signal sounds at minimum volume) • Keep pressed for 1x: start of track • Keep pressed for 2x: previous track
⊗ 1	• Press briefly until a sound can be heard. The active connection is interrupted and a new one can be set up. • Press and hold on one speaker to connect 2 speakers together.

### LED displays

LED display	Function
Charging LED <b>8</b> is lit red	The battery is being charged / or the battery is under 10 % of capacity.
LED <b>2</b> flashes white	Device sending device identification in order to establish a Bluetooth connection (pairing)
LED <b>2</b> flashes white very slowly	Bluetooth connection is established
LED <b>2</b> is lit white	Left speaker of paired speakers
LED <b>2</b> is lit green	The plug of the 0.141 inch TRS cable <b>14</b> is plugged into the 0.141 inch TRS socket <b>10</b> (no Bluetooth function)

### Charging



### CAUTION

- ⊗ Because of the high power consumption, do not charge the loudspeaker through a laptop / PC. Only charge the loudspeaker via a USB power unit (5 V, min. 1 A, not included in the items supplied).
- ⊗ The device must not be covered while the battery is charging.
- ⊗ The device must only be charged in a dry environment.

### TIP:

- When using a USB power unit (not included), comply with its user instructions. The USB power unit must be able to supply at least 1A output current.
- Charge the battery fully before using the device.
- The maximum battery capacity is reached after approx. 4 - 5 charging cycles.

- At a battery capacity of less than approx. 10 %, an audio signal will sound once and the charging LED **8** will be lit red until the device automatically switches itself off.
- The charging time of an empty battery is approx. 2 - 2.5 hours. Playback is possible during the charging process; however, this increases the charging time.

1. Connect the Micro USB plug of the USB charger cable **13** to the Micro USB port **9** of the device.
2. Connect the USB-A plug of the USB charger cable **13** to a USB power unit (not included). The charging LED **8** is lit red and extinguishes when the battery is fully charged.



### WARNING

#### Risk from battery

- ⊗ If the safety instructions are not followed, batteries can cause the following hazards; batteries can...
  - explode,
  - become very hot (danger of burns),
  - leak (risk of injury and property damage).

#### OF EXPLOSION!

- ⊗ This device must not be thrown into fire. **DANGER**
- ⊗ The device must not be covered while the battery is charging.
- ⊗ The device must only be charged in a dry environment.
- ⊗ The device contains a lithium polymer battery.
  - The battery cannot be removed.
  - This device must not be opened.
  - Completely dispose of the device.
- ⊗ Do not expose the device to direct sunlight or heat. The ambient temperature should not be lower than 50 °F or higher than 104 °F. Please remember that



### WARNING

#### Risk for babies and children

- ⊗ Children must not play with plastic bags. There is a risk of suffocation.
- ⊗ This device is not designed to be used by people (including children) with limited physical, sensory, or mental capabilities or people without adequate experience and/or understanding, unless they are supervised by someone responsible for their safety or are instructed by them on how to use the device.
- ⊗ Children must not play with the device.
- ⊗ Cleaning and user maintenance must not be performed by children.
- ⊗ Keep the device out of the reach of children.





### Establishing a Bluetooth connection

- TIP:**
- The identification of the speaker is "SBLP 5.0 B1".
  - After switching on, the speaker automatically tries to reconnect to the last paired device or to establish a new connection.
  - Please observe that the process of establishing the connection may vary slightly depending on the audio device and the software used.
  - The Bluetooth range is 33 ft.
  - The speaker switches off if no Bluetooth connection can be established within 10 minutes.
  - With moderate volume settings, the speaker can be used for a playback period of approx. 12 hours with the Bluetooth connection established.
  - If you lend your speaker to someone else, in order to protect your data and your privacy you should disconnect the Bluetooth connection to your device and delete it from the connection list on your smartphone.

### Cleaning / storing when not in use

- TIP:**
- Disconnect all cables.
  - Turn off the device using the button **⓪ 6**.
  - Clean the device with a slightly damp cloth. Solvents, spirits, thinners, etc., must not be used, as they can damage the surface of the device.
  - When not using the device, store it in a place where neither high temperatures nor moisture can affect it.
  - Charge the battery before storing the device for a prolonged period. Please note that if the device is stored for too long, this may reduce the battery capacity. Avoid any extended discharge of the battery.

- If necessary, remove the plug of the 0.141 inch TRS cable **14** from the 0.141 inch TRS socket **10**.
- Turn the speaker on using the button **⓪ 6**. An audio signal sounds. The LED **2** flashes white. The Bluetooth identification of the device is sent.
- Turn on the audio device (e.g., smartphone) and start the Bluetooth connection. The audio device should now receive the device identification "SBLP 5.0 B1".
- Establish a connection to the Bluetooth speaker on the audio device. Both devices are now interconnected. The LED **2** on the device flashes white slowly and an audio signal sounds.

**TIP:** audio devices may remember the ID of the speaker. So a new connection might not be needed to be established manually while the Bluetooth function is activated.

- Now start the playback of a music track on the audio device. The sound is played back through the speaker **7**.

### Disposal

This appliance must not be disposed of as household garbage.  
If the electrical appliance is no longer being used, it must be handed over to the relevant local public waste authorities for disposal.  
As a rule, these waste disposal authorities run special reception units for electrical appliances (recycling centers, materials recovery centers etc.).  
For further information, see:  
[www.epa.gov](http://www.epa.gov)

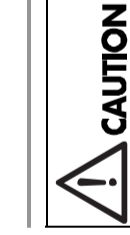
### Troubleshooting

If your Bluetooth speaker fails to function as required, please try this checklist first. Perhaps there is only a minor problem, and you can solve it yourself.

### Connect two speakers

- TIP:**
- Playback by cable is only possible with one speaker.
  - The distance between the speakers should not be more than 33 ft.
  - If you are using two speakers of type SBLP 5.0 B1 together with your smartphone, they can play the sound as a pair of stereo speakers (True Wireless Stereo, TWS).
  - If the audio device has previously been connected with a speaker of type SBLP 5.0 B1, please delete that connection from the list of Bluetooth connections.**

- Switch on both speakers using the buttons **⓪ 6**. An audio signal sounds and the LED **2** is flashing white. If one speaker is still connected to an audio device (LED **2** flashes slowly in white), briefly press the pairing button **⓪ 1** on this speaker. An audio signal sounds and the LED **2** flashes white.



### Risk of material damage

- Do not attempt to repair the device yourself under any circumstances.

Issue	Possible causes / Action
No function	<ul style="list-style-type: none"> <li>Is the battery empty?</li> <li>Did the device turn off automatically?</li> </ul>
No Bluetooth connection	<ul style="list-style-type: none"> <li>Is the Bluetooth function of the audio device activated?</li> <li>Did you turn off the device?</li> <li>Is there a plug in the 0.141 inch TRS socket <b>10</b>?</li> </ul>
Music cannot be played by Bluetooth.	<ul style="list-style-type: none"> <li>Is the volume set too low?</li> <li>Is a jack plugged into the 0.141 inch TRS socket <b>10</b> on the Bluetooth speaker?</li> </ul>

### 3 year limited warranty

#### What does this warranty cover?

- The warranty covers:
- Damage, breakage, or inoperability due to defect.
  - Damage not caused by normal wear and tear or failure to follow the safety and maintenance instructions provided in the user manual.

#### What is not covered by the warranty?

- The warranty does not cover damage caused by:
- Normal wear and tear of the product, including fragile parts (such as switches, glass, etc.);
  - Improper use or transport;
  - Disregarding safety and maintenance instructions;
  - Accidents or acts of nature (e.g., lightning, fire, water, etc.);
  - Tampering with the product (such as removing cover, unscrewing screws etc.).

**lidl US LLC.**  
Arlington, VA22202

Shows information:  
08/2019 ID: SBP.5.0.B1\_19\_V1.2

IAN 330233\_1904

- Hold down the pairing button **⓪ 1** on one speaker until an audio signal sounds. The two speakers are now being paired with one another.

- After a brief time, the LED **2** on one of the speakers flashes white, while on the other the LED flashes slowly in white. These two paired speakers can be connected to an audio device.

- Turn on the audio device (e.g., smartphone) and start the Bluetooth connection. The audio device should now receive the device identification "SBLP 5.0 B1".
- Establish a connection to the speakers on the audio device. If you are asked for a password, enter "0000". All three devices are now interconnected.

The list of Bluetooth connections on the audio device displays the identification "SBLP 5.0 B1". An audio signal sounds. The speaker with the flashing LED **2** plays the right audio channel, and the speaker with the lit LED plays the left audio channel.

- Now start the playback of a music track on the audio device. The sound is played back through the speakers.

### Technical specifications

Model:	SBLP 5.0 B1
Power rating:	1 x 3.7 W at 1 % THD
Bluetooth:	Bluetooth v5.0 (A2DP v1.2, AVRCP v1.0)
Frequency range:	2.402 - 2.480 MHz
Transmitting power:	5 dBm (max.)
Range:	up to 33 ft
Sockets:	1 x Micro USB 1 x 0.141 inch TRS
Battery:	1 x 3.7 V == lithium polymer,
Charging time:	1050 mAh (3.89 Wh)
Charging time:	approx. 2 - 2.5 hours
USB port:	Input voltage: 5 V == Input current: 1 A
Dimensions [W x D x H]:	approx. 3.4 x 2.6 x 1.3"

### How to process the warranty?

- To initiate, please:
- Call customer service at 1 (844) 543-5872
  - Visit the Website Customer Service Platform at [www.lidl.com/contactus](http://www.lidl.com/contactus)
- or
- Visit a LIDL store for further assistance

To ensure the quickest warranty return process, please have the following available:

- The original sales receipt that includes the date purchased;
- The product and manual in the original package;
- A statement of the problem.

### What must you do to keep the warranty in effect?

- Retain the original receipt;
- Follow all product instructions;
- Do not repair or modify the product.

**Disconnecting a Bluetooth connection**  
In order to disconnect a Bluetooth connection, select one of the following options:

- Press the button **⓪ 6** until the speaker is switched off.
- Press the button **⓪ 1** briefly. An audio signal sounds and the operating-mode LED **2** flashes.
- Plug a jack into the 0.141 inch TRS socket **10** on the speaker. The operating-mode LED **2** is lit in green.
- The connection is also removed if the connected devices are set up too far from each other or obstacles interfere with the radio link.

### Playback using a cable (Aux in)

**TIP:** Playback by cable has priority over the Bluetooth connection. Any Bluetooth connection that has been set up will be interrupted.

- Plug the jack of the 0.141 inch TRS cable **14** into the headphone socket of the sound source (e.g., MP3 player, phone) and the 0.141 inch TRS socket **10** on the speaker.

### FCC hint

FCC ID: A190-SBSP50B1

This device complies with part 15 of the FCC Rules. Operation is subject to the following two conditions: (1) This device may not cause harmful interference, and (2) this device must accept any interference received, including interference that may cause undesired operation.

**NOTE:** This equipment has been tested and found to comply with the limits for a Class B digital device, pursuant to part 15 of the FCC Rules. These limits are designed to provide reasonable protection against harmful interference in a residential installation. This equipment generates, uses and can radiate radio frequency energy and, if not installed and used in accordance with the instructions, may cause harmful interference to radio communications. However, there is no guarantee that interference will not occur in a particular installation. If this equipment does cause harmful interference to radio or television reception, which can be determined by turning the equipment off and on, the user is encouraged to try to correct the interference by one or more of the following measures:

- Reorient or relocate the receiving antenna.
- Increase the separation between the equipment and receiver.
- Connect the equipment into an outlet on a circuit different from that to which the receiver is connected.
- Consult the dealer or an experienced radio/TV technician for help.

**CAUTION:** To comply with the limits of the Class B digital device, pursuant to Part 15 of the FCC Rules, this device is to comply with Class B limits. All peripherals must be shielded and grounded. Operation with non-certified peripherals or non-shielded cables may result in interference to radio or reception.

**MODIFICATION:** any changes or modifications not expressly approved by the guarantee of this device could void the user's authority to operate the device.

The RF Exposure Compliance distance is 5 millimeters.

- Turn on the sound source.
- Turn the speaker on using the button **⓪ 6**. The LED **2** is lit in green.
- Start playback from the sound source. The sound is played back through the speaker **7**.
- Set the volume on the sound source to the maximum level and adjust the volume on the device using the buttons **- 3 / + 5**. The music track can only be chosen at the sound source.
- Mute the device by pressing the button **▶ 4**.

### How does state law relate to this warranty?

This warranty gives you specific legal rights, and you may also have other rights which vary from state to state. All implied warranties are limited by the duration and terms of this warranty. Some states do not allow limitations on how long an implied warranty lasts, so the above limitation may not apply to you.

Distributor:	Lidl US LLC, Arlington, VA22202
Country of origin:	China
<b>Customer Service:</b>	
Service hotline: (free of charge in USA)	1-844-543-5872
Contact page:	<a href="http://www.lidl.com/contactus">www.lidl.com/contactus</a>