



Distributed by / Distribuido por:

LIDL US, LLC, Arlington, VA 22202

Model No. / Modelo Núm.: HG09200-US

FCC ID: 2AJ9O-HG9200TX

FCC ID: 2AJ9O-HG9200RX

Version / Versión: 09/2022

Made in / Hecho en: China

SILVERCREST®

**WIRELESS MOUSE/
MOUSE INALÁMBRICO
SPC M1600 A1**

US-EN

WIRELESS MOUSE

Operation and Safety Notes

US-ES

MOUSE INALÁMBRICO

Instrucciones de utilización y de seguridad

IAN 423239_2201

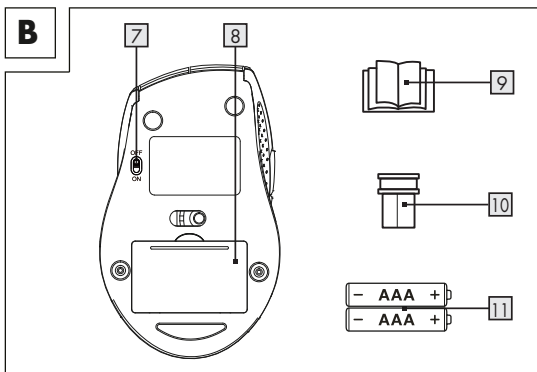
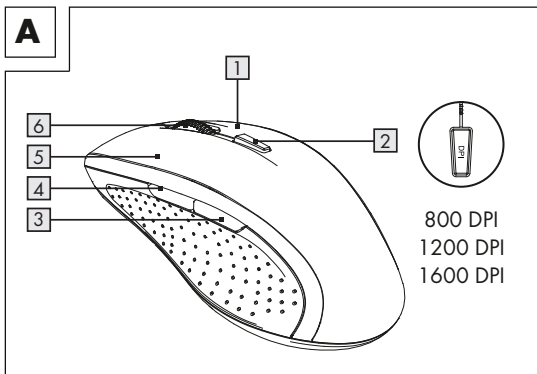


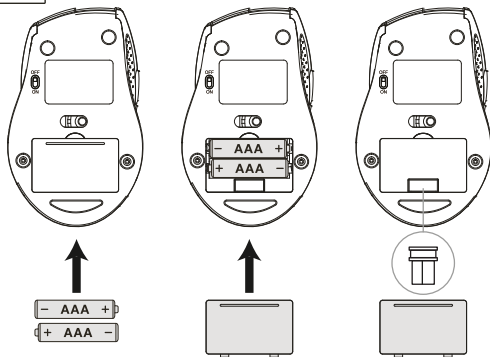
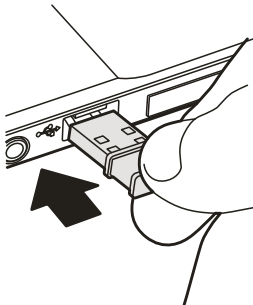
IAN 423239_2201

US

US-EN Operation and Safety Notes Page 3

US-ES Instrucciones de utilización y de seguridad Página 27



C**D**

Description of signal words	Page	6
Customer service	Page	7
Warnings and symbols used	Page	8
Introduction	Page	9
Intended use	Page	10
Trademark notices	Page	10
Scope of delivery	Page	11
Important safety notes	Page	11
Description of parts	Page	20
Technical data	Page	20
Before use	Page	21
Operation	Page	22
Storage when not in use	Page	24
Cleaning	Page	24
Troubleshooting	Page	25
Disposal	Page	26
Three year limited warranty	Page	27

DESCRIPTION OF SIGNAL WORDS

⚠ WARNING

WARNING indicates a hazardous situation that, if not avoided, could result in death or serious injury.

⚠ CAUTION

CAUTION indicates a hazardous situation that, if not avoided, could result in minor or moderate injury.

NOTICE

NOTICE indicates information considered important, but not hazard related (e.g. messages related to property damage).

CUSTOMER SERVICE



Call customer service at **1 (844) 543-5872**



Visit the Website Customer Service Platform at
www.lidl.com/contact-us







Visit a LIDL store for further assistance.

IAN 423239_2201

Please have your IAN number ready

Warnings and symbols used

The symbols shown are used in the operating instructions, on the packaging and on the unit.

	DANGER! This symbol with the signal word "DANGER" indicates a hazard with a high level of risk which, if not avoided, will result in serious injury or death.
	ATTENTION! This symbol with the signal word "ATTENTION" indicates a possible property damage.
	Direct current / voltage
	This action sign indicates to wear suitable protective gloves! Follow the instructions to avoid hands striking or being struck by objects or being in contact with thermal or chemical materials!
	This symbol means that the operating instructions must be observed before using the product.
	Warning against optical radiation



WARNING! EXPLOSION HAZARD!

A warning with this symbol and word “WARNING! EXPLOSION HAZARD” indicates the potential threat of explosion. Failure to observe this warning may result in serious or fatal injuries and potential property damage. Follow the instructions in this warning to prevent serious injuries, a danger to life or property damage!

WIRELESS MOUSE

● Introduction

Congratulations on your purchase. You have selected a quality product. The instructions for use are a part of the product. They contain important information about the safety, use and disposal of the product. Before using the product, please learn about all the safety information and usage instructions. Only use the product as described and for the specified applications. If you lend the product to someone else, please also give all the instructions.

● **Intended use**

This **WIRELESS MOUSE** (hereinafter referred to as “product”) is an information technology device and is designed as an input device for computers. This product is not intended for use in companies or for other commercial uses (e.g. office productivity applications). Use this product only in the home for private purposes. Any other use is considered improper. Any claims resulting from improper use or due to unauthorised modification of the product will be considered un-warranted. Any such use is at your own risk.

● **Trademark notices**

- USB® is a registered trademark of USB Implementers Forum, Inc.
- Windows® is a registered trademark of Microsoft Corporation in the United States and other countries.
- Mac and macOS are trademarks of Apple Inc., registered in the U.S. and other countries and regions.
- The SilverCrest trademark and trade name is the property of their respective owners.
- Any other names and products are trademarks or registered trademarks of their respective owners.

● **Scope of delivery**

NOTICE refer to (Fig. B)

- 1 [Wireless mouse](#)
- 1 USB dongle
- 2 x AAA (LR03) Batteries
- 1 Instructions for use

IMPORTANT SAFETY NOTES

READ ALL INSTRUCTIONS. KEEP FOR FUTURE REFERENCE.
INCLUDE ALL DOCUMENTATION WHEN PASSING THIS
PRODUCT ON TO OTHERS.

DANGER TO LIFE AND RISK OF ACCIDENT FOR INFANTS AND CHILDREN!

⚠ WARNING RISK OF SUFFOCATION! Never leave children unsupervised with the packaging material. The packaging material poses a suffocation hazard. Children frequently underestimate the dangers. The packaging material is not a toy.

- This product may be used by children age 8 years and up, as well as by persons with reduced physical, sensory or mental capacities or lacking experience and/or knowledge, so long as they are supervised or instructed in the safe use of the product and understand the associated risks. Do not allow children to play with the product. Cleaning and user maintenance should not be performed by children without

supervision. The product is not a toy.

⚠ WARNING **Some of the provided parts can be swallowed. If a part is swallowed, seek immediate medical attention.**

⚠ WARNING **Radio interference**

- Switch the product off on aeroplanes, in hospitals, service rooms, or near medical electronic systems. The wireless signals transmitted could impact the functionality of sensitive electronics.
- Keep the product at least 7.87 in (20 cm) from pacemakers or implantable cardioverter defibrillators, as the electromagnetic radiation may impair the functionality of pacemakers.
- The radio waves transmitted could cause interference in hearing aids.
- Do not place the product near flammable gasses or potentially explosives areas (e.g. paint shops) with the wireless components on, as the radio waves emitted can cause explosions and fire.
- The range of the radio waves varies by environmental conditions. In the event of wireless data transmission, unauthorised third parties receiving the data cannot be excluded.

⚠ WARNING **Keep batteries out of reach of children. If accidentally swallowed seek immediate**

medical attention.

⚠ WARNING EXPLOSION HAZARD!

Never recharge non-rechargeable batteries. Do not short-circuit batteries or open them. Overheating, fire or bursting can be the result. Never throw batteries into fire or water. Do not exert mechanical loads to batteries.

WEAR PROTECTIVE GLOVES!



Leaked or damaged batteries can cause burns on contact with the skin. Wear suitable protective gloves at all times if such an event occurs.



Safety warnings for batteries

- When used correctly, cells and batteries provide a safe and dependable source of portable power. However, if they are misused or abused, this may result in leakage, burns, fire, or explosion.
- Store batteries in a dry place at room temperature. Batteries are sensitive to high and low temperatures. Such thermal exposure may lead to leakage, fire, or explosion.
- Keep cells and batteries out of reach of children, especially small batteries. Ingestion may lead to choking or acute and serious personal injury.
- Keep cells or batteries clean and dry both during use and

storage. Wipe metal terminals with a soft, dry cloth if they become dirty.

- Immediately seek medical attention if a cell or battery has been swallowed. Also, contact your local poison control center.
- In the event that the electrolyte comes into contact with the skin or eyes, immediately flush with fresh water for at least 15 minutes and seek medical attention.
- Store unused batteries in their original packaging or in safe place and away from metal objects that may short-circuit them.
- Exercise care in handling batteries in order to prevent shorting with conducting materials, such as rings, coins, bracelets, and keys. The battery or the conductor can overheat and cause burns, leakage, fire, or explosion.
- Clean the battery contacts and also those of the product prior to battery installation. Keep the contacts clean.
- Remove batteries from the product that will not be used for an extended period of time (months or longer).
- Remove discharged batteries from product promptly to avoid possible damage from leakage.
- Choose the proper battery for the intended application.
- Always take care to correctly insert batteries observing (+) and (-) polarity marks on the battery and the product for which it is intended. Proper polarity must be observed to avoid damage to either product or batteries.

- Always replace the whole set of batteries at one time, taking care not to mix old and new ones, or batteries of different types, capacities, or manufacturers.
- Never heat batteries in order to revive them.

⚠ WARNING

- Never charge a battery unless the battery label specifically states the battery is rechargeable. Charging a non-rechargeable battery, may result in leakage, fire, or explosion.
- Do not drop or subject the cell or battery to strong mechanical shock.
- Batteries should not be disassembled, crushed, punctured, or otherwise mutilated. Such abuses may result in leakage, fire, or explosion.
- Do not dispose of the battery in a fire. Failure to observe this precaution may result in an explosion.
- Dispose of batteries properly and in accordance with government regulations.

NOTICE RISK OF PROPERTY DAMAGE

- Check the product before every use! Discontinue use if any damage to the product is detected!
- This product does not contain any parts which can be serviced by the user.
- Do not place burning candles or other open fire on or next

to the product.

- Sudden temperature changes may cause condensation inside the product. In this case, allow the product to acclimate for some time before using it again to prevent short circuits!
- Do not operate the product near heat sources, e.g. radiators or other devices emitting heat!
- Do not throw the product into fire and do not expose to high temperatures.
- Never open the product!! It has no internal parts requiring maintenance.

▲ CAUTION Ensure that:

- no direct heat sources (e.g. heating) can affect the product.
- any contact with splashed and dripping water and corrosive liquids is avoided and the product is not operated in the vicinity of water. In particular, the product should never be submerged in liquid; do not place any vessels filled with liquid, for example, vases or drinks, on or near the product.
- the product is not used in the immediate vicinity of magnetic fields (e.g. speakers).
- no fire sources (e.g. burning candles) are placed on or near the product.
- no objects are inserted into the interior of the product.
- the product is never subjected to excessive shocks and vibrations.



Take care to avoid injury to eyes and skin when in the vicinity of optical radiation.

NOTICE

The user must take regular breaks during the use of the product, in case of pain in the hands, arms or shoulder and neck area the work must be interrupted and some stretching exercises must be done.

- It is necessary to repair the product if they have been damaged in any way, for example, if the housing is damaged, if liquid or objects have penetrated the product or if the product has been exposed to rain or moisture.
- Repair work is also required if the product is not working properly or has been dropped. If smoke is produced, or there are any unusual sounds or smells, turn the product off immediately. In such cases, the product should not be used until they have been inspected by authorised service personnel. Only have the product repaired by qualified personnel. Never open the housing of the product.
- Changes or modifications to this product not expressly approved by the party responsible for compliance could void the user's authority to operate the product.

NOTE: This product has been tested and complies with the limits for a Class B digital device, pursuant to Part 15 of the FCC Rules.

These limits are designed to provide reasonable protection

against harmful interference in a residential installation. This product generates, uses and can radiate radio frequency energy and, if not installed and used in accordance with the instructions, may cause harmful interference to radio communications.

However, there is no guarantee that interference will not occur in a particular installation. If this product causes harmful interference to radio or television reception, which can be determined by turning the product off and on, the user is encouraged to try and correct the interference by one or more of the following measures:

- Reorient or relocate the receiving antenna.
 - Increase the separation between the product and receiver.
 - Connect the equipment to an outlet on a different circuit than the one the receiver is connected to.
 - Consult the dealer or an experienced radio / TV technician for help.
- This product complies with part 15 of the FCC Rules. Operation is subject to the following two conditions:
1. This product may not cause harmful interference.
 2. This product must accept any interference received, including interference that may cause undesired operation.
- The Lidl US, LLC is not responsible for interference with radios or televisions due to unauthorised modification of the product.

- The Lidl US, LLC further assumes no liability for using or replacing cables and products not distributed by Lidl US, LLC. The user of the product is fully responsible for correcting interference caused by such unauthorised modification of the product, as well as replacement of such products.

US Radiation Exposure Statement

This equipment complies with FCC radiation exposure limits set forth for an uncontrolled environment. End user must follow the specific operating instructions for satisfying RF exposure compliance. This transmitter must not be co-located or operating in conjunction with any other antenna or transmitter.

SAVE THESE INSTRUCTIONS

● Description of parts

- 1 Right mouse button
- 2 DPI button
- 3 Backward button
- 4 Forward button
- 5 Left mouse button
- 6 Scroll wheel and middle mouse button
- 7 On/Off Switch
- 8 Battery compartment cover
- 9 Instructions for use
- 10 USB dongle
- 11 2 x AAA (LR03) batteries

● Technical data

Voltage supply:	2 x 1.5 V, AAA (LR03) batteries
Operation time:	3 to 6 months (Alkaline battery)
Operating Systems:	Windows® 8 or above, macOS® 10.11 or higher
Resolution:	800 / 1200 / 1600 dpi
Range:	10 m max.
Radio frequency band:	2405 - 2470 MHz
Max. transmitted power:	0.72 mW

USB version:	2.0
Hardware requirement::	1 free USB port
Operating temperature:	+41 °F to +95 °F (5 °C to 35 °C)
Storage temperature:	+32 °F to +113 °F (0 °C to 45 °C)
Storage humidity:	10 to 70 % RH
Dimension (L x W x H):	4.76 in x 2.95 in x 1.69 in (121mm x 75mm x 43mm)
Net weight:	2.82 oz (80 g) (without battery)

The specification and design may be changed without notification.

● **Before use**

NOTICE

- Before use, verify the package contents are complete and undamaged!
- All parts have to be unpacked and the packaging material has to be removed completely.
- If functional or other defects occur, please contact the service department listed either by telephone or by e-mail.

Setting up your mouse – inserting/replacing the batteries (see fig. C)

- Remove the battery compartment cover **8**.
- Insert 2 AAA (LR03) batteries **11** into the battery compartment .
- Ensure that the polarities are correct (+/-).
- Reinsert the battery compartment cover **8** and push it down until it locks in place.

● Operation

3. Connecting the USB dongle **10** (see fig. D): Slot the USB dongle **10** into a spare USB port on your computer.
4. Slide the ON/OFF button **7** to the “ON” position in order to turn on the mouse.
5. Turn your computer on.
6. The necessary drivers are automatically installed.

Function of buttons (see fig. A)

- 1 **Right mouse button:** Provides traditional mouse click functions.
- 2 **DPI button:** (800 / 1200 / 1600 - Click button once, then change DPI setting to next DPI value). The default DPI setting is 1200 dpi. Choose a setting that is comfortable for you.
- 3 **Backward button**
- 4 **Forward button**
- 5 **Left mouse button:** Provides traditional mouse functions like click, double click and drag.
- 6 **Scroll wheel and middle mouse button:** Roll up or down to scroll through pages or documents.

Power saving mode

This wireless mouse supports power saving mode for saving the battery charge. The wireless mouse will shut down automatically if any one of the following scenarios occurs:

1. **After your computer is shut down for about 30 seconds.**

The mouse will be activated after your computer is turned on again.

2. **After the USB dongle is unplugged from your computer for about 30 seconds.**

The mouse will be activated after the USB dongle is connected to the computer again.

3. **After the wireless mouse is idle for about 10 minutes.**

The mouse can be activated by pressing the right mouse button **7** or left mouse button **5**.

● **Storage when not in use**

- Batteries must be removed before storage.
- Store the product in a dry indoor location protected from direct sunlight, preferably in its original packaging.

● **Cleaning**

- Switch the product off before cleaning!
- No acid, chafing or solvent cleaning agents should be used or the product can be damaged.
- Only clean the outside of the product using a soft, dry cloth!
- At persistent soiling, a mild cleaning agent can be used.

● Troubleshooting

Problem	Solution
The product does not work properly.	<p>Option 1: Check if the battery is properly fitted.</p> <p>Option 2: The battery needs to be replaced by a new one.</p> <p>Option 3: Remove any other mouse connected to your computer and reconnect your mouse.</p> <p>Option 4: Avoid using this product onto transparent or reflective surfaces.</p> <p>Option 5: USB dongle not correctly inserted, try another free USB port or reboot your computer.</p> <p>Option 6: Dirts stained onto optics of mouse, please clean the dirts and try again.</p> <p>Option 7: Check whether the mouse is in power saving mode. Press the right mouse button 1 or left mouse button 5 to activate the mouse.</p>

● Disposal

Dispose of the packaging through your local recycling facilities and in compliance with all federal, state and local regulations.



Please note the package markings regarding waste separation, indicated by abbreviations (a) and numbers (b), meaning: 1-7: plastics / 20-22: paper and cardboard / 80-98: composite materials.



Contact your local waste management authority for additional information on how to dispose of the used product.

To help protect the environment, please dispose of the product properly when it has reached the end of its useful life, do not throw in the garbage. Information on collection sites and their opening hours is available from your local authority.



Improper disposal of batteries can damage the environment!

Never throw batteries in the garbage. They may contain toxic heavy metals and must be handled as special waste. The chemical symbols of heavy metals are: Cd = cadmium, Hg = mercury, Pb = lead. Used batteries should therefore be disposed of through a local collection point.

● **Three year limited warranty**

What does this warranty cover?

The warranty covers:

- Damage, breakage or inoperability due to defect.
- Damage not caused by normal wear and tear or failure to follow the safety and maintenance instructions provided in the user manual.

What is not covered by the warranty?

The warranty does not cover damage caused by:

- Normal wear and tear of the product, including fragile parts (such as switches, glass, etc.);
- Improper use or transport;
- Disregarding safety and maintenance instructions;
- Accidents or acts of nature (e.g. lightning, fire, water, etc.).
- Tampering with the product (such as removing cover, unscrewing screws etc.)

Consequential and incidental damages are also not covered under this warranty. However, some states do not allow the exclusion or limitation of incidental or consequential damages, so this limitation or exclusion may not apply to you.

What is the period of coverage and warranty resolution?

The warranty is for 3 years from the date of purchase. At our discretion, product will either be refunded or replaced.

What will we not do?

We will not:

- Start a new warranty period upon product exchange;
- Repair product.

How to process the warranty?

To initiate, please:

- Call customer service at 1 (844) 543-5872
- Visit the Website Customer Service Platform at www.lidl.com/contact-us
or
- Visit a LIDL store for further assistance

To ensure the quickest warranty return process, please have the following available:

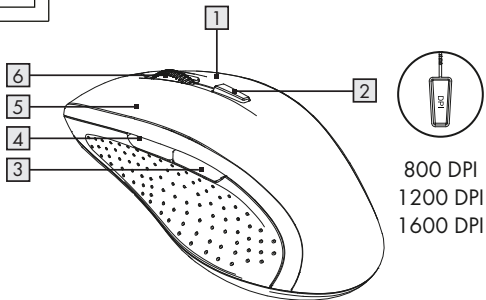
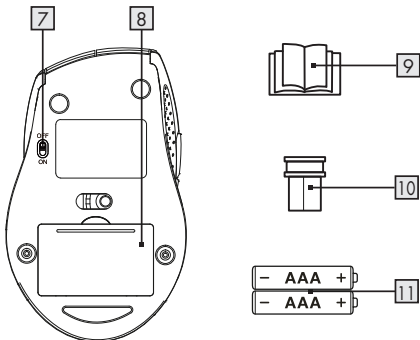
- The original sales receipt that includes the date purchased;
- The product and manual in the original package;
- A statement of the problem.

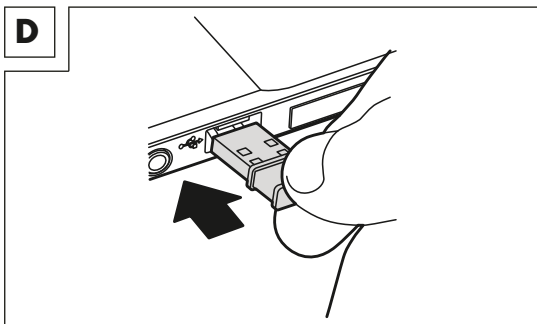
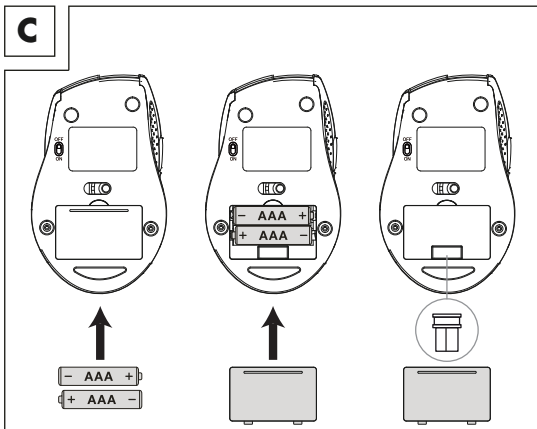
What must you do to keep the warranty in effect?

- Retain the original receipt;
- Follow all product instructions;
- Do not repair or modify the product.

How does state law relate to this warranty?

This warranty gives you specific legal rights, and you may also have other rights which vary from state to state. All implied warranties are limited by the duration and terms of this warranty. Some states do not allow limitations on how long an implied warranty lasts, so the above limitation may not apply to you.

A**B**



Descripción de las palabras de advertencia	Página	33
Servicio al cliente	Página	34
Advertencias y símbolos utilizados	Página	35
Introducción	Página	36
Uso previsto	Página	37
Avisos de marcas comerciales ...	Página	37
Contenido	Página	38
Instrucciones importantes de seguridad	Página	38
Descripción de las partes	Página	47
Datos técnicos	Página	48
Antes del uso	Página	49
Funcionamiento	Página	50
Almacenamiento cuando no está en uso	Página	52
Limpieza	Página	52
Resolución de problemas	Página	54
Eliminación	Página	55
Garantía limitada de 3 años	Página	56

DESCRIPCIÓN DE LAS PALABRAS DE ADVERTENCIA

ADVERTENCIA

ADVERTENCIA indica una situación peligrosa, que puede provocar la muerte o lesiones graves si no se evita.

PRECAUCIÓN

PRECAUCIÓN indica una situación peligrosa, que puede provocar lesiones leves o moderadas si no se evita.

AVISO

AVISO indica información que se considera importante, pero que no implica un peligro (p. ej. mensajes relacionados con daños materiales).

SERVICIO AL CLIENTE



Llame al Servicio de atención al cliente al
1 (844) 543-5872



Visite el Portal de atención al cliente en
www.lidl.com/contact-us

Visite una de nuestras tiendas LIDL en caso de cualquier inquietud.

IAN 423239_2201

Por favor tenga su número IAN a la mano.

Advertencias y símbolos utilizados

Los símbolos mostrados se utilizan en las instrucciones de funcionamiento, en el embalaje y en la unidad.



¡PELIGRO! Este símbolo junto con la palabra de advertencia "PELIGRO" indica un peligro con un alto nivel de riesgo que, si no se evita, tendrá como resultado una lesión grave o la muerte.



¡ATENCIÓN! El símbolo junto con la palabra de advertencia "ATENCIÓN" indica posibles daños materiales.



Corriente/tensión directa



Este aviso de acción indica que se deben utilizar guantes de protección adecuados. Siga las instrucciones para evitar que las manos golpeen o sean golpeadas por objetos o entren en contacto con materiales térmicos o químicos.



Este símbolo significa que se deben seguir las instrucciones de operación antes de usar el producto.



Advertencia contra la radiación óptica



¡ADVERTENCIA! ¡PELIGRO DE EXPLOSIÓN!

Una advertencia con este símbolo y la frase "¡ADVERTENCIA! PELIGRO DE EXPLOSIÓN" indican una potencial amenaza de explosión. No respetar esta advertencia podría provocar lesiones graves o fatales y potenciales daños materiales. Siga las instrucciones de esta advertencia para evitar lesiones graves, peligros de muerte y daños materiales.

MOUSE INALÁMBRICO

● Introducción

Felicidades por la compra de su nuevo producto. Usted ha seleccionado un producto de calidad. Las instrucciones de uso son parte del producto. Contienen información importante respecto a la seguridad, el uso y la eliminación. Antes de usar el producto, familiarícese con toda la información de seguridad y las instrucciones de uso. Utilice la unidad únicamente como se describe y para las aplicaciones indicadas. Si traspasa el producto a alguien más, por favor asegúrese de incluir toda la documentación con él.

● Uso previsto

Este **MOUSE INALÁMBRICO** (en adelante, denominado “producto”) es un dispositivo de tecnología de la información y está diseñado como un dispositivo de entrada para computadoras. Este producto está previsto para ser utilizado por empresas o con otros fines comerciales (p. ej., aplicaciones de productividad en oficinas). Utilice este producto solo en su hogar con fines privados. Cualquier otro uso se considera inadecuado. Cualquier reclamo que surja como resultado de un uso inadecuado o una modificación no autorizada del producto se considerará fuera del alcance de la garantía. Ud. asume todo el riesgo de cualquiera de dichos usos.

● Avisos de marcas comerciales

- USB® es una marca comercial registrada de USB Implementers Forum, Inc.
- Windows® es una marca comercial registrada de Microsoft Corporation en EE. UU. y en otros países.
- [Mac and macOS are trademarks of Apple Inc., registered in the U.S. and other countries and regions.](#)
- La marca comercial y el nombre comercial de SilverCrest es propiedad de sus respectivos dueños.
- Cualquier otro nombre y producto son marcas comerciales o marcas comerciales registradas de sus respectivos dueños.

● **Contenido**

AVISO consulte la (Fig. B)

1 mouse inalámbrico

1 llave USB

2 pilas AAA (LR03)

1 conjunto de instrucciones de uso

INSTRUCCIONES IMPORTANTES DE SEGURIDAD

LEA TODAS LAS INSTRUCCIONES. CONSERVE PARA FUTURAS REFERENCIAS. AL CEDER ESTE PRODUCTO A TERCEROS, ASEGÚRESE DE INCLUIR TODA SU DOCUMENTACIÓN.

¡PELIGRO DE MUERTE O ACCIDENTE PARA BEBÉS Y NIÑOS!

⚠ ADVERTENCIA **¡RIESGO DE ASFIXIA!** Nunca deje a los niños solos o sin supervisión con el material de empaque. Siempre existe un riesgo de asfixia si los niños juegan con el material de empaque. Los niños suelen subestimar los riesgos. Siempre mantenga a los niños alejados del material de empaque. Este producto no es un juguete.

■ Este producto lo pueden utilizar niños de 8 años de edad

y mayores, así como las personas con capacidades físicas, sensoriales o mentales reducidas o sin experiencia y/o conocimiento, siempre que estén supervisados o hayan recibido entrenamiento sobre el uso seguro del producto y comprendan los riesgos asociados. No permita que los niños jueguen con el producto. La limpieza y el mantenimiento del usuario no deben ser realizados por niños sin supervisión. El producto no es un juguete.

⚠ ADVERTENCIA **Algunas de las piezas provistas pueden tragarse. Si alguien se traga una pieza, busque atención médica de inmediato.**

⚠ ADVERTENCIA **Interferencia de radio**

- Nunca utilice el producto en aeronaves, hospitales, dependencias de servicio o cerca de sistemas electrónicos médicos. Las señales inalámbricas transmitidas podrían afectar la funcionalidad de componentes electrónicos sensibles.
- Mantenga el producto a como mínimo 7.87 in (20 cm) de marcapasos o desfibriladores cardioversores implantables, ya que la radiación electromagnética podría afectar el funcionamiento de los marcapasos.
- Las ondas de radio transmitidas podrían provocar interferencias en aparatos auditivos.
- No coloque el producto cerca de gases inflamables o áreas potencialmente explosivas (por ejemplo, pinturerías) con los componentes inalámbricos activados, ya que las ondas de

radio emitidas podrían provocar explosiones e incendios.

- El rango de las ondas de radio varía según las condiciones ambientales. En el caso de la transmisión de datos inalámbrica, no se puede excluir la recepción de datos por parte de terceros no autorizados.

⚠ ADVERTENCIA **Mantenga las pilas fuera del alcance de los niños. Si alguien se traga una pila accidentalmente, busque atención médica de inmediato.**

⚠ ADVERTENCIA **¡PELIGRO DE EXPLOSIÓN!**

Nunca recargue las pilas no recargables. Evite hacer cortocircuito con las pilas o abrirlas. Como resultado, se pueden sobrecalentar, incendiar o explotar. Nunca arroje las pilas al fuego o al agua. No aplique cargas mecánicas a las pilas.

¡USE GANTES PROTECTORES!



Las pilas filtradas o dañadas pueden provocar quemaduras si entran en contacto con la piel. Use guantes protectores adecuados en todo momento si ocurre dicha circunstancia.



Advertencias de seguridad para baterías

- Cuando se usan correctamente, las celdas y baterías

proporcionan una fuente segura y confiable de energía portátil. Sin embargo, si se usan mal o se maltratan, se puede provocar fugas, quemaduras, incendio o explosión.

- Almacene la baterías en un lugar seco a temperatura ambiente. Las baterías son sensibles a temperaturas altas y bajas. Este tipo de exposición térmica pueden hacer que la baterías se chorreen, se incendien o exploten.
- Mantenga las celdas y las baterías fuera del alcance de los niños, en especial las baterías pequeñas. Si se ingieren pueden provocar asfixia o lesiones graves y agudas.
- Mantenga las celdas o las baterías limpias y secas durante su uso y almacenamiento. Limpie las terminales metálicas con un trapo suave y seco si se ensucian.
- Busque ayuda médica inmediata si se ha tragado una celda o batería. De igual forma, póngase en contacto con el centro local para el control de intoxicaciones.
- En caso de que el electrolito entre en contacto con la piel o los ojos, enjuague inmediatamente con agua fresca durante al menos 15 minutos y solicite atención médica.
- Almacene las baterías no usadas en su empaque original o en un lugar seguro y alejadas de objetos metálicos que puedan provocarles cortocircuito.
- Tenga cuidado al manipular la baterías para evitar que haya cortocircuito con materiales conductores, como anillos, moneras, pulseras y llaves. La batería o el conductor se pueden sobrecalentar y provocar quemaduras,

chorreaduras, incendio o explosión.

- Limpie los contactos de la batería, tanto en la batería como en el producto antes de instalar la batería. Mantenga los contactos limpios.
- Retire la baterías del producto si no se va a usar por un periodo prolongado de tiempo (meses o más).
- Retire la baterías agotadas del producto tan pronto como sea posible para evitar posibles daños por fugas.
- Elija la batería adecuada para la aplicación prevista.
- Siempre tenga cuidado de insertar la baterías correctamente, fijándose en las marcas de polaridad (+) y (-) en la batería y en el producto para el cual está diseñada. Se debe tener en cuenta la polaridad correcta para evitar daños al producto, al cargador o la batería.
- Cambie siempre el juego completo de baterías a la vez, teniendo cuidado de no mezclar baterías nuevas con viejas, o baterías de distintos tipos, capacidades o fabricantes.
- Nunca caliente las baterías para revivirlas.

⚠ ADVERTENCIA

- Nunca recargue una batería a menos que la etiqueta de la batería indique específicamente que se trata de una batería recargable. Cargar una batería no recargable puede hacer que las se chorreen, se incendien o exploten.
- No deje caer ni someta la celda o la batería integrada a tensión mecánica intensa.

- No se deben desmontar, aplastar, perforar o mutilar las baterías. Este tipo de acciones pueden hacer que la baterías se chorreen, se incendien o exploten.
- No elimine la batería en el fuego. De lo contrario, se puede provocar una explosión.
- Elimine los productos con batería o celda integrada de forma adecuada y de acuerdo a las disposiciones gubernamentales.

AVISO

RIESGO DE DAÑOS MATERIALES

- Inspeccione cuidadosamente el producto antes de cada uso. Deje de utilizar el producto si se detecta algún daño al producto o al cable de conexión.
- Este producto no contiene ninguna pieza que el usuario pueda reparar.
- No coloque velas encendidas u otra llama expuesta sobre o cerca del producto.
- Los cambios repentinos de temperatura pueden provocar condensación en el interior del producto. En este caso, espere a que el producto se aclimate durante un tiempo prudencial antes de utilizarlo. De esta forma, se evitarán cortocircuitos.
- No utilice el producto cerca de fuentes de calor, como radiadores u otros productos que emanen calor.
- No arroje el producto al fuego ni lo exponga a altas temperaturas.
- ¡Nunca abra el producto! No existen piezas internas que

requieran mantenimiento.

▲ PRECAUCIÓN Asegúrese de que:

- ninguna fuente de calor directa (por ejemplo, calefacción) pueda afectar al producto.
- se evite cualquier contacto con salpicaduras y goteos de agua y con líquidos corrosivos y que el producto no se utilice cerca de agua. En particular, nunca se deberá sumergir el producto en líquidos; no coloque ningún recipiente con líquido, como jarrones o vasos, sobre o cerca del producto.
- el producto no se utilice cerca de campos magnéticos (por ejemplo, altavoces).
- no se coloque fuentes de calor (por ejemplo, velas encendidas) sobre o cerca del producto.
- no se inserten objetos en el interior del producto.
- el producto nunca se someta a vibraciones o impactos excesivos.



Tenga precaución para evitar lesiones en los ojos o en la piel si trabaja cerca de radiación óptica.

AVISO

El usuario deberá tomarse descansos periódicos durante el uso del producto. En caso de malestar en las manos, hombros o cuello, se deberá interrumpir el trabajo y se deberán realizar algunos ejercicios de estiramiento.

- Será necesario reparar el producto si ha sufrido algún

daño, por ejemplo, si la cubierta está dañada, si ingresaron líquidos u objetos en el producto o si se expuso el producto a la lluvia o a la humedad.

- También será necesario el trabajo de reparación si el producto no funciona de forma correcta o si se ha caído. Si aparece humo, o si existen olores o ruidos inusuales provenientes del producto, apáguelo de inmediato. En dichos casos, no se deberá utilizar el producto hasta que el personal de servicio autorizado lo haya inspeccionado. Solo personal calificado deberá encargarse de la reparación del producto. Nunca abra la cubierta del producto.
- Los cambios o las modificaciones a este producto que no sean expresamente aprobados por la parte responsable del cumplimiento podrían anular la autoridad del usuario a operar el producto.

NOTA: Este producto ha sido probado y cumple con los límites para un dispositivo digital clase B, de acuerdo con el apartado 15 de las normas de la FCC.

Estos límites están diseñados para proveer protección razonable contra interferencias perjudiciales en una instalación residencial. Este producto genera, usa y puede emitir energía de radiofrecuencia y en caso de no ser instalado y utilizado de acuerdo a las instrucciones puede causar interferencias perjudiciales a las radiocomunicaciones. Sin embargo, no existe ninguna garantía de que no se produzcan interferencias en una instalación en particular. Si este producto causa una

- interferencia dañina a la recepción de radio o televisión, la cual puede ser determinada encendiendo y apagando el producto, se alienta al usuario a intentar corregir las interferencias siguiendo las siguientes medidas:
- Oriente o localice de nuevo la antena receptora.
 - Aumente la separación ente el producto y el receptor.
 - Conecte el equipo a un tomacorriente en un circuito diferente al que está conectado el receptor.
 - Consulte a su proveedor o a algún técnico experto de radio / TV.
- Este producto cumple con la Parte 15 de las reglas de la FCC. El funcionamiento está sujeto a las siguientes dos condiciones:
 1. Este producto no provocará una interferencia perjudicial.
 2. Este producto deberá aceptar cualquier interferencia reciba, incluida aquella que podría causar un funcionamiento no deseado.
 - Lidl US, LLC no es responsable de interferencias con radios o televisores debido a una modificación no autorizada del producto.
 - Lidl US, LLC no asume ninguna responsabilidad por el uso o reemplazo de cables y productos no distribuidos por Lidl US, LLC. El usuario del producto es totalmente responsable de corregir la interferencia causada por dicha modificación no autorizada del producto, así como del reemplazo de dichos productos.

US Radiation Exposure Statement

This equipment complies with FCC radiation exposure limits set forth for an uncontrolled environment. End user must follow the specific operating instructions for satisfying RF exposure compliance. This transmitter must not be co-located or operating in conjunction with any other antenna or transmitter.

GUARDE ESTAS INSTRUCCIONES

● Descripción de las partes

- 1 Botón derecho del mouse
- 2 Botón DPI
- 3 Botón Atrás
- 4 Botón Adelante
- 5 Botón izquierdo del mouse
- 6 Rueda de desplazamiento y botón del medio del mouse
- 7 Interruptor de encendido/apagado
- 8 Tapa del compartimiento de las pilas
- 9 Instrucciones de uso
- 10 Llave USB
- 11 2 pilas AAA (LR03)

● Datos técnicos

Suministro de voltaje	2 pilas AAA de 1.5 V (LR03)
Tiempo de operación	de 3 a 6 meses (pila alcalina)
Sistemas operativos:	Windows® 8 o superior, macOS® 10.11 or higher
Resolución:	800 / 1200 / 1600 dpi
Distancia:	10 m máx.
Banda de radiofrecuencia:	2405 - 2470 MHz
Potencia máxima transmitida:	0,72 mW
Versión USB:	2.0
Requisitos de hardware:	1 puerto USB libre
Temperatura de funcionamiento:	de +41 °F a +95 °F (5 °C a 35 °C)
Temperatura de almacenamiento:	de +32 °F a +113 °F (0 °C a 45 °C)
Humedad de almacenamiento:	De 10 a 70 % (humedad relativa)

Dimensiones (largo x ancho x alto):	4.76 pulgadas x 2.95 pulgadas x 1.69 pulgadas (121mm x 75mm x 43mm)
Peso neto:	2.82 oz (80 g) (sin las pilas)

Las especificaciones y el diseño pueden variar sin previo aviso.

● **Antes del uso**

AVISO

- Antes del uso, verifique el contenido de embalaje esté completo y sin daños.
- Se deberán desembalar todas las piezas y se deberá extraer por completo el material de embalaje.
- Si se producen defectos funcionales o de otro tipo, comuníquese con el departamento de atención al cliente por teléfono o correo electrónico.

Configuración del mouse: colocación/reemplazo de las pilas (consulte la fig. C)

- Extraiga la tapa del compartimiento de las pilas **8**.
- Coloque 2 pilas AAA (LR03) **11** en el compartimiento de las pilas.
- Asegúrese de que las polaridades sean correctas (+/-).
- Vuelva a colocar la tapa del compartimiento de las pilas **8** y presiónela hasta que se trabe.

● **Funcionamiento**

3. Cómo conectar la llave USB **10** (consulte la fig. D):
Inserte la llave USB **10** en un puerto USB adicional de la computadora.
4. Deslice el botón de encendido/apagado **7** hacia la posición "ON" para encender el mouse.
5. Encienda la computadora.
6. Los controladores necesarios se instalan automáticamente.

Funciones de los botones (consulte la fig. A)

- 1 Botón derecho del mouse: Brinda las funciones de clic tradicionales del mouse.
- 2 Botón DPI: (800 / 1200 / 1600 – Haga clic una vez en el botón, luego cambie el parámetro DPI por el siguiente valor DPI). El parámetro DPI predeterminado es 1200 dpi. Elija un parámetro que considere cómodo.
- 3 Botón atrás
- 4 Botón adelante
- 5 Botón izquierdo del mouse: Brinda las funciones de clic tradicionales, como hacer clic, hacer doble clic y arrastrar.
- 6 Rueda de desplazamiento y botón del medio del mouse: Gire hacia arriba o abajo para desplazarse por las páginas o documentos.

Modo de ahorro de energía

Este mouse inalámbrico admite el modo de ahorro de energía para ahorrar la carga de las pilas. El mouse inalámbrico se apagará automáticamente si ocurre alguna de las siguientes situaciones:

1. **After your computer is shut down for about 30 seconds.**

El mouse se activará después de que la computadora se encienda nuevamente.

2. **After the USB dongle is unplugged from your computer for about 30 seconds.**

El mouse se activará después de que la llave USB se vuelva a conectar a la computadora.

3. **Después de que el mouse inalámbrico haya estado inactivo durante unos 10 minutos.**

The mouse can be activated by pressing the right mouse button **7** or left mouse button **5**.

● **Almacenamiento cuando no está en uso**

- Deben quitarse las pilas antes de almacenarlo.
- Almacene el producto en un lugar interior seco y protegido de la luz solar directa, preferiblemente en su embalaje original.

● **Limpieza**

- Apague el producto antes de limpiarlo.

- No emplee ácido ni productos de limpieza abrasivos o solventes porque pueden dañar el producto.
- Solo limpie el exterior del producto con un paño suave y seco.
- En el caso de manchas persistentes, se puede utilizar un agente de limpieza neutro

● Resolución de problemas

Problema	Solución
----------	----------

El producto no funciona de forma correcta.

Opción 1: Verifique que las pilas estén bien colocadas.

Opción 2: La pila debe reemplazarse con una nueva.

Opción 3: Quite cualquier otro mouse conectado a su computadora y reconecte el mouse.

Opción 4: Evite usar este producto sobre superficies transparentes o reflectantes.

Opción 5: La llave USB no está correctamente colocada; intente con otro puerto USB libre o reinicie la computadora.

Opción 6: Hay suciedad en la óptica del mouse; límpiela y vuelva a intentarlo.

Opción 7: Compruebe si el mouse está en modo de ahorro de energía. [Press the right mouse button 1 or left mouse button 5 to activate the mouse.](#)

● Eliminación

Deshágase del empaque mediante sus instalaciones de reciclaje locales y de acuerdo con las regulaciones federales, estatales y locales.



Observe las señales del material de empaque para la separación de residuos, los cuales están señalados con abreviaturas (a) y números (b) que significan lo siguiente: 1-7: plásticos / 20-22: papel y tablero de fibra / 80-98: materiales mixtos.



Contacte a las autoridades locales correspondientes para la eliminación de desechos para mayor información sobre cómo desechar su producto desgastado.

Para ayudar a proteger el medio ambiente, elimine el producto adecuadamente al final de su vida útil, no lo tire en la basura normal. Puede obtener información de sus autoridades locales sobre los puntos de recolección y horarios de atención.



¡La eliminación inadecuada de las baterías puede causar daños ambientales!

Las baterías no deben ser eliminadas con los desechos del hogar. Éstas pueden contener metales pesados tóxicos y requieren ser tratadas como desechos especiales. Los símbolos químicos de los metales pesados son: Cd = Cadmio, HG = Mercurio, Pb = Plomo. Por esta razón es importante eliminar las baterías usadas en un punto de recolección local.

● **Garantía limitada de 3 años**

Lo que cubre la presente garantía

La garantía incluye:

- Daños, quebraduras o incapacidad para funcionar debido a defectos.
- Daños que no hayan sido causados por el desgaste propio del uso o por no seguir las instrucciones de seguridad y mantención incluidas en el manual para el usuario.

Lo que no cubre esta garantía

La garantía no cubre daños causados por:

- El desgaste propio del uso del producto, incluidas las partes frágiles (como interruptores, piezas de vidrio, etc.).
- Uso o transporte no indicado del producto.
- Desatención a las instrucciones de seguridad y mantención.
- Accidentes o causas de fuerza mayor (e.g. relámpagos, incendio, inundación, etc.).

- Manipulación mal intencionada del producto (retirar la cubierta, tornillos, etc.).

La presente garantía tampoco cubre daños indirectos o emergentes. Sin embargo algunos estados no permiten la exclusión o limitación de daños indirectos o emergentes, por lo que dicha exclusión o limitación pudiera no aplicarse en su caso.

Período de cobertura y resolución de la garantía

La garantía es válida por 3 años a partir de la fecha de compra. La empresa, según lo estime conveniente, devolverá el dinero o repondrá el producto.

La empresa no:

- Dará inicio a un nuevo período de garantía al hacerse el cambio del producto.
- Reparará el producto.

¿Cómo se tramita la garantía?

Recomendamos que primero usted:

- Llame al Servicio de atención al cliente al 1 (844) 543-5872.
- Visite el Portal de atención al cliente en www.lidl.com/contact-us
- Visite una de nuestras tiendas LIDL en caso de cualquier inquietud.

A fin de acelerar el trámite de la garantía, tenga a bien contar con lo siguiente:

- Recibo de venta original que incluya la fecha de compra.
- Producto y manual en su empaque original.
- Descripción del problema.

¿Qué debe hacer usted para mantener la garantía vigente?

- Guardar el recibo original.
- Seguir todas las instrucciones para el uso del producto.
- No realizar ninguna reparación ni alteración al producto.

¿De qué manera influyen las leyes estatales con esta garantía?

La presente garantía le otorga derechos legales específicos, y pudiera usted contar con otros derechos los cuales varían de un estado a otro. Todas las garantías implícitas se encuentran limitadas a la duración y términos de la presente garantía. Algunos estados no permiten limitaciones al período de tiempo y términos de la garantía implícita, por lo que dichas limitaciones pudieran no aplicarse en su caso.