



# SILVERCREST®



## WIRELESS CHARGING CAR MOUNT/ SOPORTE DE CARGA INALÁMBRICA PARA AUTO SCHW A1

Distributed by / Distribuido por:  
LIDL US, LLC, Arlington, VA 22202

Model No. / Modelo Núm.: HG06002B-US  
Version / Versión: 12/2019

Made in / Hecho en: China

US-EN

**WIRELESS CHARGING CAR MOUNT**  
Operation and Safety Notes

US-ES

**SOPORTE DE CARGA INALÁMBRICA PARA AUTO**  
Instrucciones de utilización y de seguridad

IAN 337714\_1907



IAN 337714\_1907

US

US-EN  
Operation and Safety Notes Page 3

US-ES  
Instrucciones de utilización y de seguridad Página 19

<b>Description of signal words</b> .....	Page	4
<b>Customer service</b> .....	Page	4
<b>Introduction</b> .....	Page	5
Intended use .....	Page	5
Trademark notices .....	Page	5
Scope of delivery .....	Page	6
<b>Important safety instructions</b> .....	Page	6
<b>Description of parts</b> .....	Page	10
<b>Technical data</b> .....	Page	12
<b>Before use</b> .....	Page	13
<b>Operation</b> .....	Page	13
<b>Storage when not in use</b> .....	Page	15
<b>Cleaning</b> .....	Page	15
<b>Troubleshooting</b> .....	Page	16
<b>Disposal</b> .....	Page	16
<b>Three year limited warranty</b> .....	Page	17

## DESCRIPTION OF SIGNAL WORDS

### **WARNING**

WARNING indicates a hazardous situation that, if not avoided, could result in death or serious injury.

### **CAUTION**

CAUTION indicates a hazardous situation that, if not avoided, could result in minor or moderate injury.

### **NOTICE**

NOTICE indicates information considered important, but not hazard related (e.g. messages related to property damage).

## CUSTOMER SERVICE



Call customer service at  
**1 (844) 543-5872**



Visit the Website Customer Service  
Platform at  
**[www.lidl.com/contact-us](http://www.lidl.com/contact-us)**

Visit a LIDL store for further assistance.

Please have your IAN number ready.

**IAN 337714\_1907**

# **WIRELESS CHARGING CAR MOUNT**

## ● **Introduction**

Congratulations on your purchase. You have selected a quality product. The instructions for use are a part of the product. They contain important information about the safety, use and disposal of the product. Before using the product, please learn about all the safety information and usage instructions. Only use the product as described and for the specified applications. If you lend the product to someone else, please also give all the instructions.

## ● **Intended use**

The WIRELESS CHARGING CAR MOUNT (hereinafter referred to as the „Product“) is an information electronics device. This product is only for charging mobile devices that use Qi technology. Other devices cannot be charged with the product. The product is intended for private use only and not for commercial use. The manufacturer accepts no liability for damage resulting from unauthorised modifications or improper use.

## ● **Trademark notices**

- USB® is a registered trademark of USB Implementers Forum, Inc.
- “Qi” and the Qi logo mark are trademark of the Wireless Power Consortium (WPC).
- The SilverCrest trademark and trade name is the property of their respective owners.
- Any other names and products are trademarks or registered trademarks of their respective owners.

## ● Scope of delivery

- 1 Wireless charging car mount
- 1 Car charger adaptor
- 1 Micro USB to USB type A cable
- 1 Instructions for use

# IMPORTANT SAFETY INSTRUCTIONS

READ ALL INSTRUCTIONS. KEEP FOR FUTURE REFERENCE. INCLUDE ALL DOCUMENTATION WHEN PASSING THIS PRODUCT ON TO OTHERS.



## WARNING

### **DANGER TO LIFE AND RISK OF ACCIDENT FOR INFANTS AND CHILDREN!**

#### **Risk of suffocation!**

Never leave children unsupervised with the packaging material. The packaging materials pose a suffocation hazard. Children frequently underestimate the dangers. The packaging materials are not a toy. This product is not intended for use by persons (including children) with reduced physical, sensory or mental capabilities, or lack of experience and knowledge, unless they have been given supervision or instruction concerning use of the product by a person responsible for their safety. Children should be supervised to ensure that they do not play with the product.

## **WARNING**

### **Risk of property damage**

This product does not contain any parts which can be serviced by the user.

Keep the product away from moisture, dripping and splashing water!

Do not place burning candles or other open fire on or next to the product.

Check the product before every use! Discontinue use if any damage to the product or the charging cable is detected!

If you notice smoke or an unusual noise or odor, unplug the product immediately and remove the USB cable.

Sudden temperature changes may cause condensation inside the product. In this case, allow the product to acclimatise for some time before using it again to prevent short circuits!

Do not operate the product near heat sources, e.g. radiators or other devices emitting heat!

## **WARNING**

Do not try to open the product! It has no internal parts requiring maintenance.

## **WARNING**

### **Radio interference**

Never use the product on airplanes, in hospitals, service rooms, or near medical electronic systems. The wireless signals transmitted could impact the functionality of sensitive electronics.

Keep the product at least 0.65 ft

from pacemakers or implantable cardioverter-defibrillators, as the electromagnetic radiation may impair the functionality of pacemakers.

- The radio waves transmitted could cause interference in hearing aids.
- Do not place the product near flammable gases or potentially explosive areas (e.g. paint shops) with the wireless components on, as the radio waves emitted can cause explosions and fire.
- The range of the radio waves varies by environmental conditions. In the event of wireless data transmission, unauthorized third parties receiving the data cannot be excluded.
- Lidl US, LLC is not responsible for interference with radios or televisions due to unauthorized modification of the product. Lidl US, LLC further assumes no liability for using or replacing cables and products not distributed by Lidl US/ LLC. The user of the product is fully responsible for correcting interference caused by such unauthorized modification to the product, as well as replacement of such products.

## **WARNING**

### **Ensure that:**

- no direct heat sources (e.g. heating) can affect the product
- the product is not exposed to bright artificial light
- any contact with splashed and dripping water and corrosive liquids is avoided and the product are not operated in the vicinity of water. In particular, the product should never be submerged in liquid; do not place any vessels filled with liquid, for example, vases or drinks, on or near the product
- the product is not used in the immediate vicinity of magnetic fields (e.g. speakers)



- no fire sources (e.g. burning candles) are placed on or near the product
- no foreign objects penetrate the product
- the product is never subjected to extreme temperature fluctuations as this could result in condensation and electrical short circuits. If the product were subjected to extreme temperature fluctuations, however, wait (2 hours) until the product has reached ambient temperature before use
- the product is never subjected to excessive shocks and vibrations
- the connected cables are always laid in such a manner that nobody can step on or trip over them. There is a risk of injury
- no objects are placed on a connected cable and cables are not connected over sharp edges because this could otherwise damage the functionality of sensitive electronics.

## **WARNING**

Changes or modification to this product not expressly approved by the party responsible for compliance could void the user's authority to operate the product.

## **NOTICE**

This product has been tested and complies with the limits for a Class B digital device, pursuant to Part 15 of the FCC Rules.

These limits are designed to provide reasonable protection against harmful interference in a residential installation. This product generates, uses and can radiate radio frequency energy and, if not installed and used in accordance with the instructions, may cause harmful interference to radio communications.

However, there is no guarantee that interference will not occur in a particular installation. If this product causes harmful interference to radio or television reception, which can be determined by turning the product off and on, the user is encouraged to try and correct the interference by one or more of the following measures:

- Reorient or relocate the receiving antenna.
- Increase the separation between the product and receiver.
- Connect the equipment to an outlet on a different circuit than the one the receiver is connected to.
- Consult the dealer or an experienced radio / TV technician for help.

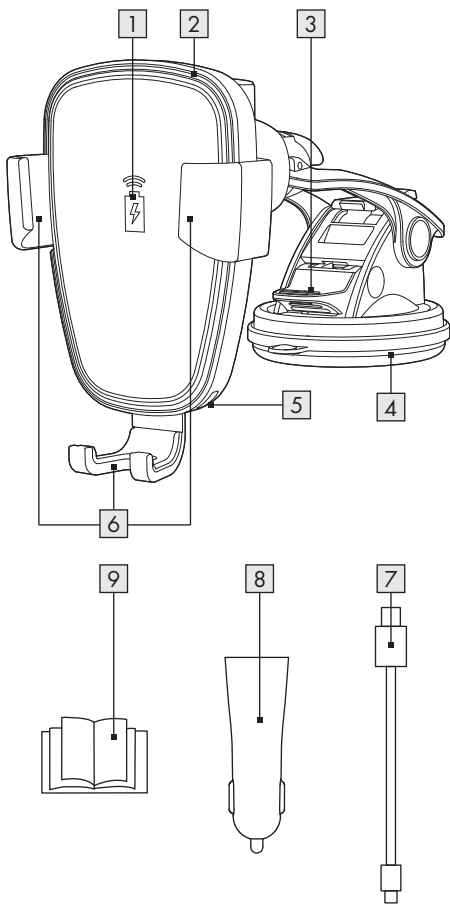
This product complies with part 15 of the FCC Rules. Operation is subject to the following two conditions: (1) This product may not cause harmful interference, and (2) this product must accept any interference received, including interference that may cause undesired operation.

This equipment complies with FCC radiation exposure limits set forth for an uncontrolled environment. This transmitter must not be co-located or operating in conjunction with any other antenna or transmitter.

# SAVE THESE INSTRUCTIONS

## ● Description of parts

- 1 Qi charging area
- 2 LED indicator
- 3 Mount locking lever



- 4 Suction cup
- 5 Micro USB port
- 6 Smartphone grab rail
- 7 Micro USB to USB type A cable
- 8 Car charger adaptor
- 9 Instructions for use

## ● Technical data

Charging holder dimensions: 4 <sup>39</sup>/<sub>64</sub> in x 2 <sup>7</sup>/<sub>8</sub> in x 2 <sup>3</sup>/<sub>64</sub> in  
(117 mm x 73 mm x 52 mm)

Suction cup part dimensions: 5 <sup>33</sup>/<sub>64</sub> in x 3 <sup>5</sup>/<sub>64</sub> in  
(140 mm x 78 mm)

Weight: 0.38 lb (173 g)

Operating temperature: 41 - 95 °F (5 - 35 °C)

Storage temperature: 32 - 113 °F (0 - 45 °C)

Humidity (no condensation): 10 - 70 %

Cable length: 39 <sup>3</sup>/<sub>8</sub> in (100 cm)

Input voltage/ current: 5 V  $\overline{\overline{=}}$  2 A  
9 V  $\overline{\overline{=}}$  1.7 A  
12 V  $\overline{\overline{=}}$  1.25 A

Wireless charging power: 10W max.

Frequency band: 113.301kHz to 146.635kHz

Transmitted maximum radio frequency power (H-field): 87.79dBuV/m at 3m distance

Wireless charging distance:  $\leq$  5 mm

**i NOTE:** The specification and design may be changed without notification.

## ● Before use

# NOTICE

- All parts have to be unpacked and the packaging materials have to be removed completely.
- Before use, verify the package contents are complete and undamaged!

## ● Operation

**⚠ ATTENTION!** The product must not be charged at a PC or notebook due to the high power consumption.

### **ⓘ NOTE:**

- The product only supports devices with Qi wireless technology.

### **Attaching the car holder**

Find a visible, easily-accessible spot for your holder on the dashboard or windscreen of your car.

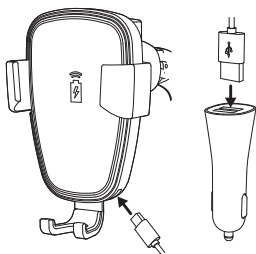
Some treatments on the dashboard /windscreen or dirt on the suction cup **4** may result in a significantly less effective bond, so before you start, remove such treatments, and make sure that the cup is clean.

Also, make sure that the car holder does not interfere with the operation of other elements in the car.

1. Make sure the mount locking lever **3** is released.
2. Place the suction cup **4** in a good spot on the dashboard. Press down firmly and evenly.
3. Snap the mount locking lever **3** closed.

## Connecting the cable

1. Connect the holder with the car charger **8** using the Micro USB to USB type A cable **7**.
2. Plug the car charger **8** into a 12V/24V car socket. The LED indicator **2** lights up for 3 seconds and then goes off to show that the product is receiving current.



**i NOTE:** If you would like to use this Qi wireless charging holder at home or office, please connect the holder with a Quick Charge 3.0 compatible wall USB charger (not included).

**i NOTE:** The car holder should only be used when the car engine is running, otherwise the car battery will be discharged.

## Charging your mobile device in the holder

1. Make sure the holder is in a vertical position and facing you.
2. Put your mobile device in the holder making sure that it is aligned with the Qi charging area **1** of the holder. The smartphone grab rails **6** of the holder will grip the mobile device using the weight of the inserted mobile device. The mobile device will then be firmly in place. Charging will begin on contact.

**i NOTE:** This holder should not be used in a horizontal position.

Protective covers that protect the mobile device may interfere with the charging process. In this case, the mobile device must be removed from the protective cover.

## Removing the holder from the dashboard

Push the mount locking lever **3** inwards, and lift from the tab on the edge of the suction cup.

**Note:** Depending on the material of the dashboard, the suction cup **4** may leave a mark on the surface.

## LED indicator **2** status

The product has an LED along the bottom edge of the charging area that indicates its operational status:

LED indicator	Status
White LED on	Charging / Full charge
White LED off	Standby
White LED flashing	Fault condition

## ● Troubleshooting

### What should I do if the mobile device does not get charging ?

- Check that the mobile device has Qi wireless charging technology.
- Check that the mobile device is aligned over the center of the Qi charging area **1**.
- Check that no foreign object is blocking the charging.
- Remove the protective cover of the mobile device if necessary.

## ● Storage when not in use

Store the product in a dry environment, protected from dust and direct sunlight.

## ● Cleaning

- Unplug the product and remove all plugs before cleaning!
- No acid, chafing or solvent cleaning agents should be used or the product can be damaged.
- Clean the outside of the product using a soft, dry cloth!
- For tough soiling, a mild cleaning agent can be used.
- Only use a clean, dry cloth for cleaning the product and never use any corrosive liquids. Use a slightly moistened cloth and a mild cleaning agent to remove stubborn dirt.

## ● Disposal

Dispose of the packaging through your local recycling facilities and in compliance with all federal, state and local regulations.



Please note the package markings regarding waste separation, indicated by abbreviations (a) and numbers (b), meaning: 1-7: plastics / 20-22: paper and cardboard / 80-98: composite materials.



Contact your local waste management authority for additional information on how to dispose of the used product.

To help protect the environment, please dispose of the product properly when it has reached the end of its useful life, do not throw in the garbage. Information on collection sites and their opening hours is available from your local authority.



## ● **Three year limited warranty**

### **What does this warranty cover?**

The warranty covers:

- Damage, breakage or inoperability due to defect.
- Damage not caused by normal wear and tear or failure to follow the safety and maintenance instructions provided in the user manual.

### **What is not covered by the warranty?**

The warranty does not cover damage caused by:

- Normal wear and tear of the product, including fragile parts (such as switches, glass, etc.);
- Improper use or transport;
- Disregarding safety and maintenance instructions;
- Accidents or acts of nature (e.g. lightning, fire, water, etc.);
- Tampering with the product (such as removing cover, unscrewing screws etc.)

Consequential and incidental damages are also not covered under this warranty. However, some states do not allow the exclusion or limitation of incidental or consequential damages, so this limitation or exclusion may not apply to you.

### **What is the period of coverage and warranty resolution?**

The warranty is for 3 years from the date of purchase. At our discretion, product will either be refunded or replaced.

### **What will we not do?**

We will not:

- Start a new warranty period upon product exchange;
- Repair product.

## **How to process the warranty?**

To initiate, please:

- Call customer service at 1 (844) 543-5872
- Visit the Website Customer Service Platform at [www.lidl.com/contact-us](http://www.lidl.com/contact-us)

or

- Visit a LIDL store for further assistance

To ensure the quickest warranty return process, please have the following available:

- The original sales receipt that includes the date purchased;
- The product and manual in the original package;
- A statement of the problem.

## **What must you do to keep the warranty in effect?**

- Retain the original receipt;
- Follow all product instructions;
- Do not repair or modify the product.

## **How does state law relate to this warranty?**

This warranty gives you specific legal rights, and you may also have other rights which vary from state to state. All implied warranties are limited by the duration and terms of this warranty. Some states do not allow limitations on how long an implied warranty lasts, so the above limitation may not apply to you.



<b>Descripción de las palabras de advertencia</b> .....	Página	20
<b>Servicio al cliente</b> .....	Página	20
<b>Introducción</b> .....	Página	21
Uso previsto.....	Página	21
Avisos de marcas comerciales .....	Página	21
Contenido.....	Página	22
<b>Instrucciones importantes de seguridad</b> .....	Página	22
<b>Descripción de las partes</b> .....	Página	27
<b>Datos técnicos</b> .....	Página	29
<b>Antes del uso</b> .....	Página	30
<b>Funcionamiento</b> .....	Página	30
<b>Almacenamiento cuando no está en uso</b> .....	Page	32
<b>Limpieza</b> .....	Página	32
<b>Resolución de problemas</b> .....	Página	33
<b>Eliminación</b> .....	Página	33
<b>Garantía limitada de 3 años</b> .....	Página	34

## DESCRIPCIÓN DE LAS PALABRAS DE ADVERTENCIA

### **ADVERTENCIA**

ADVERTENCIA indica una situación peligrosa, que puede provocar la muerte o lesiones graves si no se evita.

### **PRECAUCIÓN**

PRECAUCIÓN indica una situación peligrosa, que puede provocar lesiones leves o moderadas si no se evita.

### **AVISO**

AVISO indica información que se considera importante, pero que no implica un peligro (p. ej. mensajes relacionados con daños materiales).

## SERVICIO AL CLIENTE



Comuníquese con el servicio de atención al cliente a **1 (844) 543-5872**



Visite el portal de atención al cliente en **[www.lidl.com/contact-us](http://www.lidl.com/contact-us)**

Visite una de nuestras tiendas LIDL en caso de cualquier inquietud.

Por favor tenga su número IAN a la mano

**IAN 326858\_1901**

# **SOPORTE DE CARGA INALÁMBRICA PARA AUTO**

## ● **Introducción**

Felicidades por la compra de su nuevo producto. Usted ha seleccionado un producto de calidad. Las instrucciones de uso son parte del producto. Contienen información importante respecto a la seguridad, el uso y la eliminación. Antes de usar el producto, familiarícese con toda la información de seguridad y las instrucciones de uso. Utilice la unidad únicamente como se describe y para las aplicaciones indicadas. Si traspassa el producto a alguien más, por favor asegúrese de incluir toda la documentación con él.

## ● **Uso previsto**

Este SOPORTE DE CARGA INALÁMBRICA PARA AUTO (en adelante, denominado „producto“) es un dispositivo electrónico de información. Este producto solo puede utilizarse para cargar dispositivos móviles que cuenten con tecnología Qi. No se puede cargar otros tipos de dispositivos con este producto. Este producto está diseñado solo para el uso doméstico privado y no para fines comerciales. El fabricante rechaza toda responsabilidad por daños derivados de modificaciones no autorizadas o del uso inapropiado.

## ● **Avisos de marcas comerciales**

- USB® es una marca comercial registrada de USB Implementers Forum, Inc.
- „Qi“ y el logotipo de Qi son marcas comerciales del Wireless Power Consortium (WPC).
- La marca comercial y el nombre comercial de SilverCrest es propiedad de sus respectivos dueños.
- Cualquier otro nombre y producto podría ser una marca comercial o marca comercial registrada de sus respectivos dueños.

## ● Contenido

- 1 Soporte de carga inalámbrica para auto
- 1 Cargador USB para auto
- 1 Cable micro USB a USB tipo "A"
- 1 Conjunto de instrucciones de uso

# INSTRUCCIONES IMPORTANTES DE SEGURIDAD

LEA TODAS LAS INSTRUCCIONES.  
CONSERVE PARA FUTURAS REFERENCIAS.  
AL CEDER ESTE PRODUCTO A TERCEROS,  
ASEGÚRESE DE INCLUIR TODA SU  
DOCUMENTACIÓN.



## ADVERTENCIA

**¡PELIGRO DE MUERTE O ACCIDENTE PARA  
BEBÉS Y NIÑOS!**

**¡Riesgo de asfixia!**

Nunca deje a un niño sin supervisión con el material de embalaje. El material de embalaje representa un peligro de asfixia. Con frecuencia, los niños subestiman los peligros. El material de embalaje no es un juguete. Este producto no está diseñado para ser usado por personas (incluyendo niños) con capacidades físicas, sensoriales o mentales reducidas o con falta de experiencia y conocimiento, a menos de que sean supervisadas o instruidas respecto al uso del producto por una persona responsable por su seguridad. Siempre se deberá supervisar a los niños para asegurarse de que no jueguen con el producto.

## **ADVERTENCIA**

### **Riesgo de daños materiales**

- Este producto no contiene ninguna pieza que el usuario pueda reparar.
- ¡Mantenga el producto alejado de la humedad, de goteras y de salpicaduras de agua!
- No coloque velas encendidas u otra llama expuesta sobre o cerca del producto.
- Inspeccione cuidadosamente el producto antes de cada uso. Deje de utilizar el producto si se detecta algún daño al producto o al cable de conexión.
- Si advierte la presencia de humo o percibe un ruido o un olor inusual, desconecte de inmediato la conexión USB.
- Los cambios repentinos de temperatura pueden provocar condensación en el interior del producto. En este caso, espere a que el producto se aclimate durante un tiempo prudencial antes de utilizarlo. De esta forma, se evitarán cortocircuitos.
- No utilice el producto cerca de fuentes de calor, como radiadores u otros productos que emanen calor.

## **ADVERTENCIA**

¡No intente abrir el producto! No existen piezas internas que requieran mantenimiento.

## **ADVERTENCIA**

### **Interferencia de radio**

- Nunca utilice el producto en el interior de aviones, de hospitales, de salas de servicios médicos o cerca de sistemas médicos electrónicos. Las señales inalámbricas transmitidas podrían afectar

la funcionalidad de componentes electrónicos sensibles.

Mantenga el producto a como mínimo 0.65 ft de marcapasos o desfibriladores cardioversores implantables, ya que la radiación electromagnética podría afectar el funcionamiento de los marcapasos.

Las ondas de radio transmitidas podrían provocar interferencias en aparatos auditivos.

No coloque el producto cerca de gases inflamables o áreas potencialmente explosivas (por ejemplo, pinturerías) con los componentes inalámbricos activados, ya que las ondas de radio emitidas podrían provocar explosiones e incendios.

El rango de las ondas de radio varía según las condiciones ambientales. En el caso de la transmisión de datos inalámbrica, no se puede excluir la recepción de datos por parte de terceros no autorizados.

Lidl US, LLC no es responsable de interferencias con radios o televisores debido a una modificación no autorizada del producto. Lidl US, LLC no asume ninguna responsabilidad por el uso o reemplazo de cables y productos no distribuidos por Lidl US, LLC. El usuario del producto es totalmente responsable de corregir la interferencia causada por dicha modificación no autorizada del producto, así como del reemplazo de dichos productos.



## **ADVERTENCIA**

### **Asegúrese de que:**

ninguna fuente de calor directa (por ejemplo, calefacción) pueda afectar al producto  
el producto no esté expuesto a luz artificial brillante  
se evite cualquier contacto con salpicaduras y goteos de agua y con líquidos corrosivos y que el



producto no se utilice cerca de agua. En particular, nunca se deberá sumergir el producto en líquidos; no coloque ningún recipiente con líquido, como jarrones o vasos, sobre o cerca del producto

- el producto no se utilice cerca de campos magnéticos (por ejemplo, altavoces)
- no se coloque fuentes de calor (por ejemplo, velas encendidas) sobre o cerca del producto
- ningún objeto extraño penetre el producto
- el producto nunca se someta a fluctuaciones extremas de temperatura ya que esto podría resultar en condensación y cortocircuitos eléctricos. Sin embargo, si el producto se somete a fluctuaciones extremas de temperatura, espere (2 horas) antes de usarlo, hasta que el producto haya alcanzado la temperatura ambiente
- el producto nunca se someta a vibraciones o impactos excesivos
- los cables conectados siempre se coloquen de tal manera que ninguna persona pueda pisarlos o tropezar con ellos. Existe el riesgo de sufrir lesiones
- no se coloquen objetos sobre un cable conectado y que los cables no se conecten sobre bordes filosos, ya que esto podría dañar la funcionalidad de los delicados componentes electrónicos.

## **ADVERTENCIA**

Los cambios o las modificaciones a este producto que no sean expresamente aprobados por la parte responsable del cumplimiento podrían anular la autoridad del usuario a operar el producto.

## **AVISO**

Este producto ha sido probado y cumple con los límites para un dispositivo digital clase B, de acuerdo con el apartado 15 de las normas de la FCC.

Estos límites están diseñados para proveer protección razonable contra interferencias perjudiciales en una instalación residencial. Este producto genera, usa y puede emitir energía de radiofrecuencia y en caso de no ser instalado y utilizado de acuerdo a las instrucciones puede causar interferencias perjudiciales a las radiocomunicaciones.

Sin embargo, no existe ninguna garantía de que no se produzcan interferencias en una instalación en particular. Si este producto causa una interferencia dañina a la recepción de radio o televisión, la cual puede ser determinada encendiendo y apagando el producto, se alienta al usuario a intentar corregir las interferencias siguiendo las siguientes medidas:

- Oriente o localice de nuevo la antena receptora.
- Aumente la separación entre el producto y el receptor.
- Conecte el producto a la toma de corriente en un circuito distinto de aquel al que esté conectado el receptor.
- Consulte a su proveedor o a algún técnico experto de radio / TV.

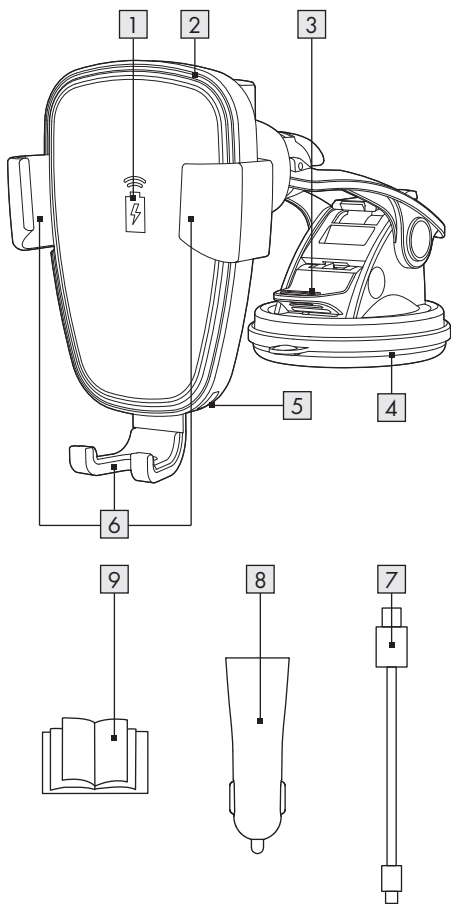
Este producto cumple con la parte 15 del reglamento FCC. La operación está sujeta a las siguientes dos condiciones: (1) Este dispositivo puede que no cause interferencia dañina, y (2) este dispositivo debe aceptar cualquier interferencia recibida, incluyendo interferencia que pueda causar una operación no deseada.

Este equipo cumple con los límites de exposición de la FCC establecidos para un entorno sin control. No se deberá colocar ni utilizar este transmisor junto con cualquier otra antena o transmisor.

# GUARDE ESTAS INSTRUCCIONES

## ● Descripción de las partes

- 1 Superficie de carga Qi
- 2 Indicador LED
- 3 Palanca de bloqueo de soporte
- 4 Ventosa
- 5 Puerto micro USB
- 6 Riel de sujeción del smartphone
- 7 Cable micro USB a USB tipo "A"
- 8 Cargador USB para auto
- 9 Instrucciones de uso



## ● Datos técnicos

Dimensiones del soporte de carga:  $4 \frac{39}{64}$  in x  $2 \frac{7}{8}$  in x  $2 \frac{3}{64}$  in  
(117 mm x 73 mm x 52 mm)

Dimensiones de la ventosa:  $5 \frac{33}{64}$  in x  $3 \frac{5}{64}$  in  
(140 mm x 78 mm)

Peso: 0.38 lb (173 g)

Temperatura de funcionamiento: 41 - 95 °F (5 - 35 °C)

Temperatura de almacenamiento: 32 - 113 °F (0 - 45 °C)

Humedad (sin condensación): 10 - 70 %

Longitud del cable:  $39 \frac{3}{8}$  in (100 cm)

Voltaje/corriente de entrada:  
5 V  $\overline{\overline{=}}$  2 A  
9 V  $\overline{\overline{=}}$  1.7 A  
12 V  $\overline{\overline{=}}$  1.25 A

Potencia de carga inalámbrica: 10W max.

Bandas de frecuencia: 113.301kHz to 146.635kHz

Potencia de frecuencia de radio máxima transmitida (campo H): 87.79dBuV/m at 3m distance

Distancia de carga inalámbrica:  $\leq 5$  mm

**i** **NOTA:** Las especificaciones y el diseño pueden variar sin previo aviso.

## ● Antes del uso

# AVISO

- Se deberán desembalar todas las piezas y se deberá extraer por completo el material de embalaje.
- Antes del uso, verifique el contenido de embalaje esté completo y sin daños.

## ● Funcionamiento

**⚠ ¡ATENCIÓN!** No se permite el uso de este producto con una PC o con una computadora portátil.

### **i NOTA:**

- Este producto soporta solo los dispositivos que cuentan con tecnología Qi inalámbrica.

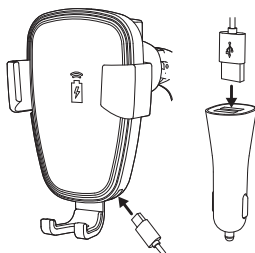
### **Colocación del soporte para auto**

Busque un lugar visible y de fácil acceso para el soporte en el tablero o parabrisas del auto.

Algunos tratamientos del tablero/parabrisas o la suciedad de la ventosa **4** pueden provocar una fijación menos efectiva. Por lo tanto, antes de comenzar, extraiga dichos tratamientos y asegúrese de que la ventosa esté limpia.

Además, asegúrese de que el soporte para auto no interfiera con el funcionamiento de los otros elementos del auto.

1. Asegúrese de que la palanca de bloqueo de soporte **3** esté liberada.



2. Coloque la ventosa [4] en un lugar adecuado en el tablero. Presione firmemente y de forma pareja.
3. Cierre la palanca de bloqueo de soporte [3].

### **Conexión del cable**

1. Conecte el soporte al cargador USB para auto [8] con el cable micro USB a USB tipo "A" [7].
2. Conecte el cargador USB para auto [8] en el tomacorriente de auto de 12 V/24 V. El indicador LED [2] se enciende durante 3 segundos y luego se apaga para mostrar que el producto está recibiendo corriente.

**i NOTA:** Si desea utilizar el soporte de carga inalámbrica Qi en su hogar u oficina, conecte el soporte al cargador USB de pared compatible con Quick Charge 3.0 (no incluido).

**i NOTA:** El cargador USB para auto solo deberá utilizarse cuando el motor del auto está en marcha. De lo contrario, se descargará la batería del auto.

### **Carga del dispositivo móvil en el soporte**

1. Asegúrese de que el soporte esté en posición vertical y apuntando hacia usted.
2. Coloque el dispositivo móvil en el soporte asegurándose de que quede alineado con el área de carga Qi [1] del soporte. Los rieles de sujeción del smartphone [6] del soporte sujetarán al dispositivo móvil utilizando el peso del dispositivo móvil insertado. El dispositivo móvil quedará firmemente colocado en su lugar. La carga iniciará cuando ambos entren en contacto.

**i NOTA:** Este soporte no deberá utilizarse en posición horizontal.

Las fundas que protegen los dispositivos móviles pueden interferir con el proceso de carga. En ese caso,

deberá quitar la funda protectora del dispositivo.

### **Extracción del soporte del tablero**

Presione la palanca de bloqueo de soporte **3** hacia dentro y levante desde la pestaña ubicada en el borde de la ventosa.

**Nota:** Según el material del tablero, la ventosa **4** podría dejar una marca en la superficie.

### **Estado del **2** LED**

El producto tiene una luz LED a lo largo del borde inferior del área de carga que indica su estado de funcionamiento:

<b>Indicador LED</b>	<b>Estado</b>
LED verde encendido	Cargando/carga completa
LED blanco apagado	Espera
LED blanco parpadeando	Situación de falla

## ● **Almacenamiento cuando no está en uso**

Almacene el producto en un lugar seco, libre de polvo y protegido de la luz solar directa.

## ● **Limpieza**

- ¡Desenchufe el producto del tomacorriente y retire todos los conectores antes de limpiarlo!
- No emplee ácido ni productos de limpieza abrasivos o solventes porque pueden dañar el producto.
- ¡limpie el exterior del producto con un paño suave y seco!



- En caso de manchas persistentes, se puede utilizar un producto de limpieza suave.
- Solo utilice un paño limpio y seco para limpiar el producto y nunca utilice líquidos corrosivos. Utilice un paño ligeramente humedecido y un agente de limpieza neutro para quitar las manchas más resistentes.

## ● Resolución de problemas

### ¿Qué debo hacer si el dispositivo móvil no se carga?

- Verifique que el dispositivo móvil cuente con tecnología de carga Qi inalámbrica.
- Asegúrese de que el dispositivo móvil esté alineado en el centro del área de carga Qi **1**.
- Verifique que no haya ningún objeto extraño bloqueando la carga.
- Si es necesario, extraiga la cubierta protectora del dispositivo móvil.

## ● Eliminación

Deshágase del empaque mediante sus instalaciones de reciclaje locales y de acuerdo con las regulaciones federales, estatales y locales.



Observe las señales del material de empaque para la separación de residuos, los cuales están señalados con abreviaturas (a) y números (b) que significan lo siguiente:

1-7: plásticos / 20-22: papel y tablero de fibra / 80-98: materiales mixtos.



Contacte a las autoridades locales correspondientes para la eliminación de desechos para mayor información sobre cómo desechar su producto desgastado.

Para ayudar a proteger el medio ambiente, elimine el producto adecuadamente al final de su vida útil, no lo tire en la basura normal. Puede obtener información de sus autoridades locales sobre los puntos de recolección y horarios de atención.



¡La eliminación inadecuada de las baterías puede causar daños ambientales!

Las baterías no deben ser eliminadas con los desechos del hogar. Éstas pueden contener metales pesados tóxicos y requieren ser tratadas como desechos especiales. Los símbolos químicos de los metales pesados son: Cd = Cadmio, HG = Mercurio, Pb = Plomo. Por esta razón es importante eliminar las baterías usadas en un punto de recolección local.

## ● **Garantía limitada de 3 años**

### **Lo que cubre la presente garantía**

La garantía incluye:

- Daños, quebraduras o incapacidad para funcionar debido a defectos.
- Daños que no hayan sido causados por el desgaste propio del uso o por no seguir las instrucciones de seguridad y mantención incluidas en el manual para el usuario.

### **Lo que no cubre esta garantía**

La garantía no cubre daños causados por:

- El desgaste propio del uso del producto, incluidas las partes frágiles (como interruptores, piezas de vidrio, etc.).
- Uso o transporte no indicado del producto.
- Desatención a las instrucciones de seguridad y mantención.
- Accidentes o causas de fuerza mayor (e.g. relámpagos, incendio, inundación, etc.).

- Manipulación mal intencionada del producto (retirar la cubierta, tornillos, etc.).

La presente garantía tampoco cubre daños indirectos o emergentes. Sin embargo algunos estados no permiten la exclusión o limitación de daños indirectos o emergentes, por lo que dicha exclusión o limitación pudiera no aplicarse en su caso.

### **Período de cobertura y resolución de la garantía**

La garantía es válida por 3 años a partir de la fecha de compra. La empresa, según lo estime conveniente, devolverá el dinero o repondrá el producto.

#### **La empresa no:**

- Dará inicio a un nuevo período de garantía al hacerse el cambio del producto.
- Reparará el producto.

### **¿Cómo se tramita la garantía?**

Recomendamos que primero usted:

- Llame al Servicio de atención al cliente al 1 (844) 543-5872.
- Visite el Portal de atención al cliente en [www.lidl.com/contact-us](http://www.lidl.com/contact-us)
- Visite una de nuestras tiendas LIDL en caso de cualquier inquietud.

A fin de acelerar el trámite de la garantía, tenga a bien contar con lo siguiente:

- Recibo de venta original que incluya la fecha de compra.
- Producto y manual en su empaque original.
- Descripción del problema.

## **¿Qué debe hacer usted para mantener la garantía vigente?**

- Guardar el recibo original.
- Seguir todas las instrucciones para el uso del producto.
- No realizar ninguna reparación ni alteración al producto.

## **¿De qué manera influyen las leyes estatales con esta garantía?**

La presente garantía le otorga derechos legales específicos, y pudiera usted contar con otros derechos los cuales varían de un estado a otro. Todas las garantías implícitas se encuentran limitadas a la duración y términos de la presente garantía. Algunos estados no permiten limitaciones al período de tiempo y términos de la garantía implícita, por lo que dichas limitaciones pudieran no aplicarse en su caso.

