



# T1R1UNV150P-40C

## INSTALLATIONS



- Built-in LED Driver
- U-OUT 60V
- IP65 Dry and Damp
- Suitable for Class I luminaire
- Universal Voltage:120-277V~,50/60Hz
- Output voltage range of 10-57V~
- Output Power: 40W Max.
- Output Current: 0.25-1.5A
- Programmable LED Driver
- Wireless Dimming

This Driver Will Operate The Following LED Modules: Any LED module designed to accept input voltage range of 10-57 V~ and can operate up to current of 0.25-1.5A.

### General Specifications

Input Voltage	120-277V~, 50/60 Hz
Input Current	0.4A Max.
Inrush Current	40A@277V
Input Power	49W
NTC Input	Ext. NTC Derating Resistance Range: 1k to 51k Ohm programmable. Default/Recommended Ext. NTC P/N: TSM2A104J4503RZ,SMD0805,Thinking Electronic.
Power Factor	>0.9
THD	<20%
Efficiency	88% Typical
Driver Type	Constant Current & Constant Power
Output Current	0.25-1.5A Programmable;See Label For Set Current;To Program The Output Current Use R-SET Resistor.(Figure 1) or TPSB-100 (Setting Controller) ;Print & Record New Setting On 1"x0.5" Label; Factory default setting is to the lowest output current, unless custom current setting is requested by customer.
Output Voltage Range	10-57V~
Output Power	40W Max.
Number of Output Channels	1 Channel
Dimming Controller Type/Dimming Range	Wireless/ 100%-1%,0%
RFI/EMI	FCC Part 15B Consumer
Output Type	LED Class 2
Potting Type / Degree of Fill	Potting As Per ASTM D36-86 / Fully Potted
Ambient Operating Temperature Range	-40°C to 60°C (-40°F to 140°F)
Max. Case Temperature	90°C (194°F)
Sound Rating	A
Input Surge Protection	Line-Neutral 4kV, Line & Neutral-Ground 6kV
Protections	Input Current Protection Output Short Circuit Protection Output Open Circuit Protection Output to Ground Short Protection Overload Protection Over Temperature Protection
FCC	ID: 2AJ9LT1R1UNV210P40C This device complies with Part 15 of the FCC Rules.Operation is subject to the following two conditions: 1.This device may not cause harmful interference 2.This device must accept any interference received,including interference that may cause undesired operation.
Runtime Counting of Every 10 Degrees	Yes
Service Life	50,000 hours @Tc 80°C (176°F)
Approvals / Class	RoHS, UL LISTED ,CLASS P ,Type HL,IP65,FCC,Dry and Damp
Warranty	5 years

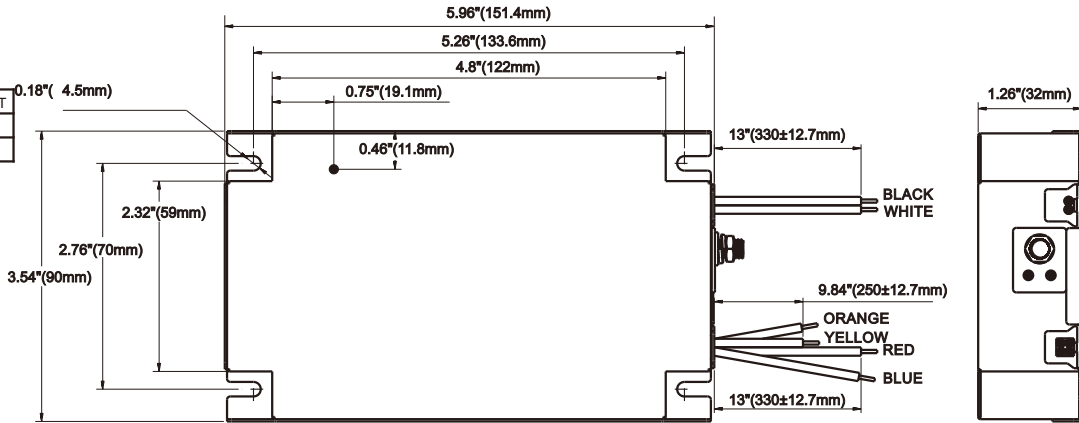
Fulham Head Quarters:  
Fulham Co., Inc  
12705 South Van Ness Ave.  
Hawthorne, CA 90250  
Local: (323) 779-2980, Fax: (323) 754-9060

Manufacturer:  
North China  
Fulham Electronic Co. Ltd.  
No. 9 Xingchang Road, Nanshao Zhen Changping Science Park, Beijing, P.R. China

Fulham extends a limited warranty to the original purchaser or first user for a period of 5 years @ Tc 80°C from the date of manufacture when properly installed and operated under normal conditions of use. The usage of appropriate series connected Surge Protection Device (SPD) is required in high risk applications.For complete terms and conditions, please refer to the Warranty Center at www.fulham.com.Specifications subject to change without notice.

**Mechanical Data**

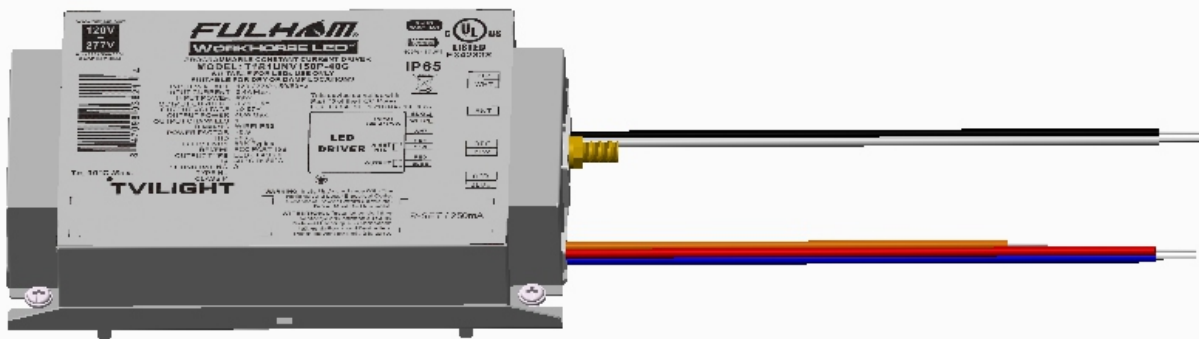
LENGTH	WIDTH	HEIGHT
151.4mm	90mm	32mm
5.96"	3.54"	1.26"



**Wiring Diagrams**

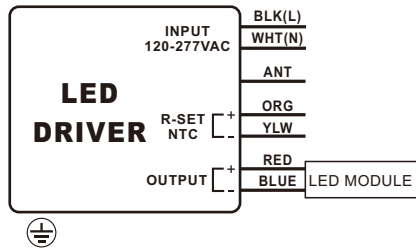
Tolerance=±0.02"

**A** Mounting the LEDdriver



NOTE: This driver has four mounting holes, two on each side. Need to mount four round holes.

**B** Making the wire connections



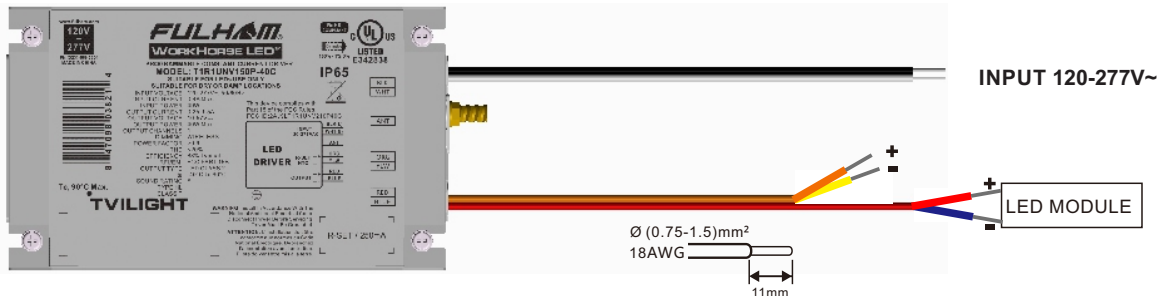
INPUT SIDE	LENGTH
BLACK	330mm [ 13" ]
WHITE	330mm [ 13" ]

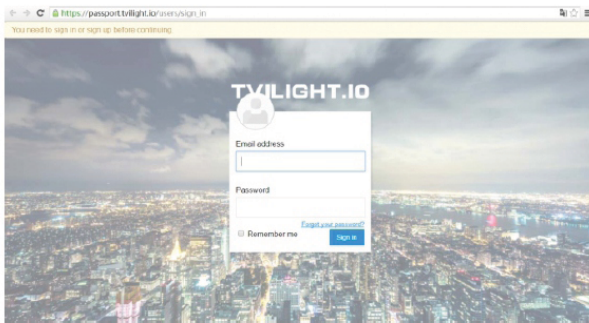
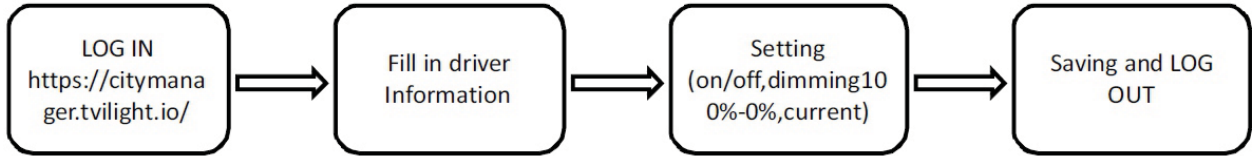
Programming Side	LENGTH
ORANGE	250mm [ 9.84" ]
YELLOW	250mm [ 9.84" ]

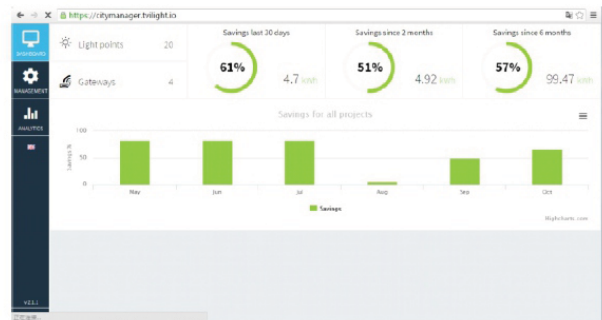
OUTPUT SIDE	LENGTH
RED	330mm [ 13" ]
BLUE	330mm [ 13" ]



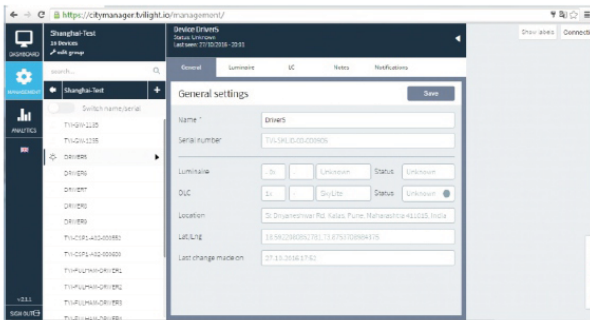
Fulham extends a limited warranty to the original purchaser or first user for a period of 5 years @ Tc 80°C from the date of manufacture when properly installed and operated under normal conditions of use. The usage of appropriate series connected Surge Protection Device (SPD) is required in high risk applications. For complete terms and conditions, please refer to the Warranty Center at [www.fulham.com](http://www.fulham.com). Specifications subject to change without notice.



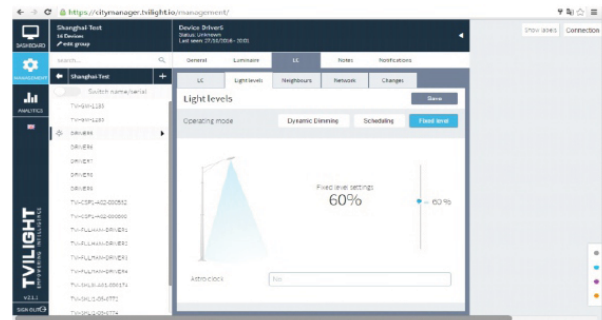
Access [https://passport.twilight.io/users/sign\\_in](https://passport.twilight.io/users/sign_in)



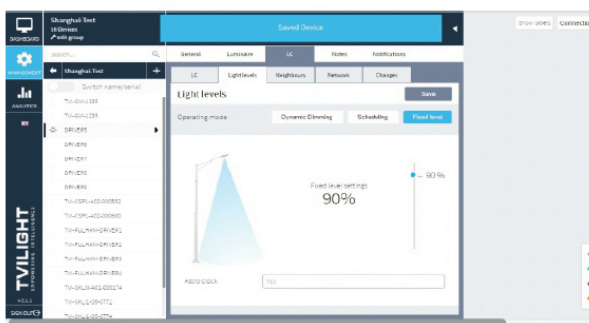
Log in



Fill in and save the information of driver



Customized Setting by moving Scroll bar



Saved and done

Fulham extends a limited warranty to the original purchaser or first user for a period of 5 years @ Tc75°C from the date of manufacture when properly installed and operated under normal conditions of use. The usage of appropriate series connected Surge Protection Device (SPD) is required in high risk applications. For complete terms and conditions, please refer to the Warranty Center at [www.fulham.com](http://www.fulham.com). Specifications subject to change without notice.

## FCC Warning

This device complies with part 15 of the FCC Rules. Operation is subject to the following two conditions:

(1) This device may not cause harmful interference, and (2) this device must accept any interference received, including interference that may cause undesired operation.

Any Changes or modifications not expressly approved by the party responsible for compliance could void the user's authority to operate the equipment.

**Note:** This equipment has been tested and found to comply with the limits for a Class B digital device, pursuant to part 15 of the FCC Rules. These limits are designed to provide reasonable protection against harmful interference in a residential installation. This equipment generates uses and can radiate radio frequency energy and, if not installed and used in accordance with the instructions, may cause harmful interference to radio communications. However, there is no guarantee that interference will not occur in a particular installation. If this equipment does cause harmful interference to radio or television reception, which can be determined by turning the equipment off and on, the user is encouraged to try to correct the interference by one or more of the following measures:

- ▶ -Reorient or relocate the receiving antenna.
- ▶ -Increase the separation between the equipment and receiver.
- ▶ -Connect the equipment into an outlet on a circuit different from that to which the receiver is connected.
- ▶ -Consult the dealer or an experienced radio/TV technician for help.

This equipment complies with FCC radiation exposure limits set forth for an uncontrolled environment. This equipment should be installed and operated with minimum distance 20cm between the radiator & your body.