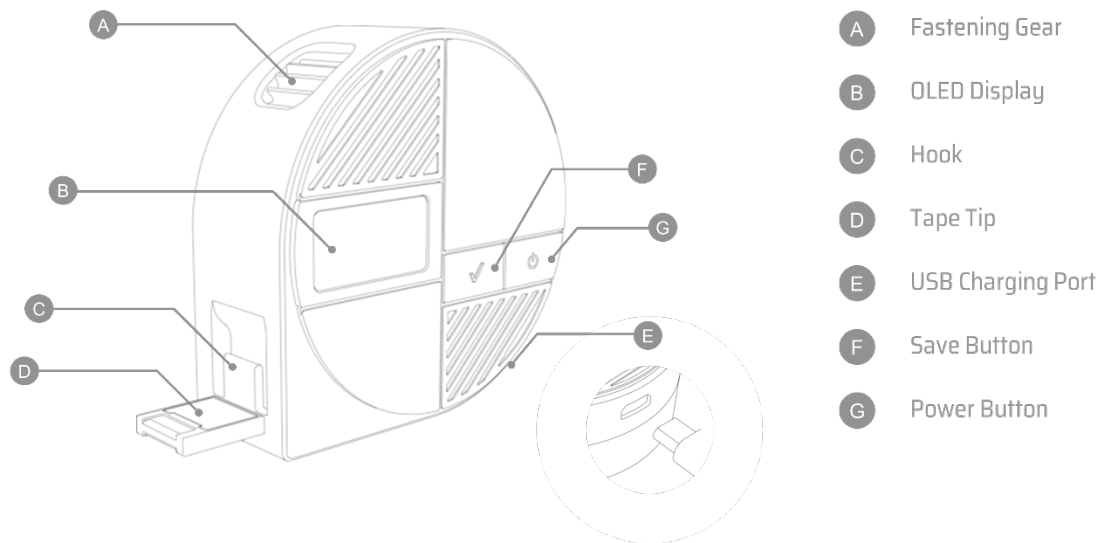


BAGEL-002(PIE SMART TAPE MEASURE) User Guide v 1.1

1. PIE: Smart Tape Measure for Your Body

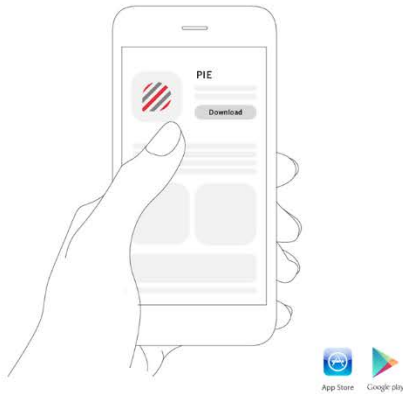
PIE is the first smart tape measure dedicated to helping people measure accurate body sizes. It helps you easily measure various parts of the body and keep track to improve your health and fitness.



2. Getting Started

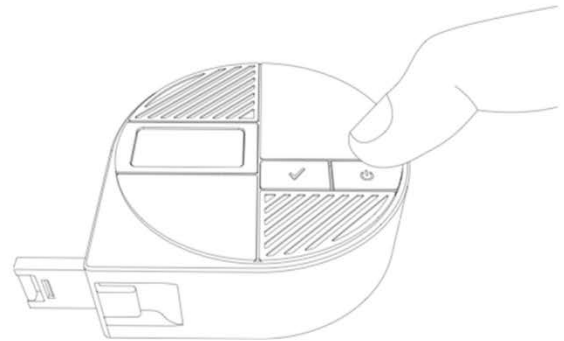
① Install the PIE App

Search for 'Bagel Labs' or 'PIE' on the App Store or Google Play and install the free app.



② Power PIE On

Press and hold PIE's power button to turn it on.



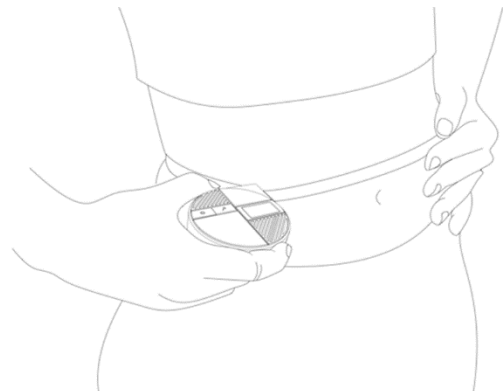
③ Connect with your Smartphone

On the PIE App, enter the Devices Menu(①) and click on your PIE(②) to connect. If your PIE is not on the list, make sure your phone's Bluetooth is turned on and restart PIE.



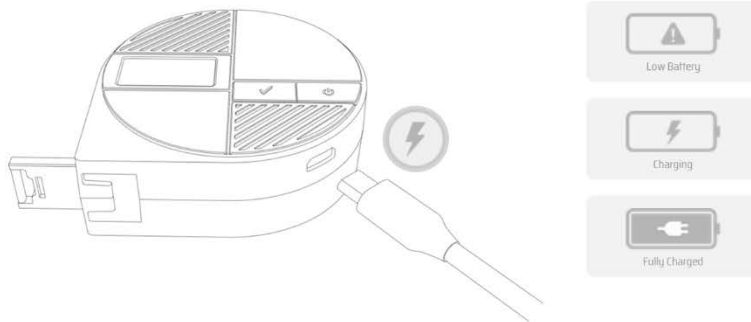
④ Start Measuring

Measure your body size using PIE's tape. Press the Save Button to send measurements to the app.



③ Recharge PIE

Use the included micro USB cable to recharge PIE's battery. PIE should take around 2 hours to fully charge.



NOTE: The micro USB port is for charging purpose only and does not support data transfer.

3. Safety Warnings

- A. Please read all instructions. Failure to follow any instruction listed below may result in electric shock, fire, choking and/or serious injury.
 - i. DO NOT use this device for any purpose other than outlined in this manual.
 - ii. DO NOT disassemble / modify the device. There are no user serviceable parts inside.
 - iii. DO NOT subject the device to extreme conditions: extreme temperatures beyond operating temperatures, high vibrations, dusty area, humid conditions (including any liquid) or direct sunlight.
 - iv. DO NOT use excessive force to the tape or the gear. Stretching the tape or grinding the gear can damage the device permanently.
 - v. DO NOT fold or twist the tape. This can damage the tape permanently.
 - vi. DO NOT use excessive force to pull the tape over 150 cm / 59 in. This may permanently damage the device.
 - vii. Be very careful when measuring neck circumference. The fiberglass tape may accidentally cause choking.



4. Regulatory Information

- A. You can check the device's regulatory information on its e-label, which can be accessed by following these steps below.

Step 1. Connect a power source with micro USB to start charging the device's battery

Step 2. Press the [Save Button] for 2 seconds

Step 3. Toggle through e-label pages by pressing the [Save Button]

- B. This device complies with part 15 of the FCC Rules. Operation is subject to the following two conditions: (1) This device may not cause harmful interference, and (2) this device must accept any interference received, including interference that may cause undesired operation.

5. Limited Warranty

- A. Thank you for purchasing a Bagel Labs product.
- B. This product was manufactured under strict quality assurance and inspection standards by Bagel Labs. This warranty is effective for 1 year from the date of purchase. Products with defects within the warranty period needs to be returned to be (i)replaced with a new product free of charge, or (ii)refunded, at our discretion.
- C. Exclusions from warranties:
- i. if the device was not purchased from Bagel Labs or Bagel Labs certified dealers
 - ii. if the device was modified or disassembled
 - iii. if the device was not treated with the above instructions
 - iv. if the device had taken more than 10,000 measurements.

6. Operating Specifications

Voltage	Input 5V DC	
Display	0.96" OLED (128x64)	
Battery	400mAh Li-Po	
Connectivity	Bluetooth Low Energy 4.2	
Materials	Polycarbonate (Housing) Polyoxymethylene (Gear) Fiberglass (Tape)	
Compatible OS	iOS, Android	
Measurement	Range	2 - 150 cm, 1 - 59 in
	Unit	mm, cm, in
	Resolution	1 mm, 1/16 in
	Accuracy	±1mm, ±1/32 in
Firmware Update	Over the Air Firmware Update	

FCC Compliance Statement

This device complies with part 15 of the FCC rules. Operation is subject to the following two conditions: (1) This device may not cause harmful interference, and (2) this device must accept any interference received, including interference that may cause undesired operation.

FCC Interference Statement

This equipment has been tested and found to comply with the limits for a Class B digital device, pursuant to part 15 of the FCC Rules. These limits are designed to provide reasonable protection against harmful interference in a residential installation. This equipment generates, uses and can radiate radio frequency energy and, if not installed and used in accordance with the instructions, may cause harmful interference to radio communications. However, there is no guarantee that interference will not occur in a particular installation. If this equipment does cause harmful interference to radio or television reception, which can be determined by turning the equipment off and on, the user is encouraged to correct the interference by one of the following measures:

- Reorient or relocate the receiving antenna.
- Increase the separation between the equipment and receiver.
- Connect the equipment into an outlet on a circuit different from which the receiver is connected.
- Consult the dealer or an experienced radio/TV technician for help.

FCC Caution

Any changes or modifications not expressly approved by the party responsible for compliance could void the user's authority to operate this equipment. This transmitter must not be co-located or operating in conjunction with any other antenna or transmitter.

Contact

For more information, please visit our website or email us to the following address:

<https://www.bagel-labs.com>

support@bagel-labs.com

Designed by Bagel Labs

Made in Korea

Copyright 2018 Bagel Labs. All Rights Reserved.