

80g铜版纸 双面印刷

FILE INFORMATION

DATE: 11/01/19

MODEL NUMBER:

UZ-S045B-101 (MANUAL)

PRINTER SPECIFICATIONS

FILE NAME: UZ-S045B-101_Manual_110119.ai

SCALE: 100%

SIZE: Trim: W 221mm x H 164mm

PAPER STOCK: 80g Art Paper

INKS: 1/1

Grayscale

PRESS WORK / NOTES: Trim to size, score, fold, & glue in specified areas.

— Trim
- - - - - Score

DO NOT print Comments or Dielines.

Physical sample according to specs must be approved by MERKURY before proceeding to production.

CONTACT

MERKURY CHINA:

Perry

COMMENTS (Internal reference only)

File created by George

- Please include this manual in all packaging for UZ-S045B-101

- Grayscale

- Double sided printing

Troubleshooting

No power

Recharge your WAVE using the included micro USB cable. Try using a different cable.

Music is not playing over Bluetooth

Make sure your Bluetooth® device has A2DP profile. Check if both devices are paired and connected over Bluetooth®. Restart the speaker to reconnect your Bluetooth® device.

Bluetooth device will not reconnect with the speaker

Navigate to your Bluetooth® settings menu on your Bluetooth® device, tap "UB S045B" and select "Forget." Now follow the steps to pair your device again.

Specs

Speaker Specifications:

Output Power: 5W
Frequency Response: 100Hz to 18KHz
Dimensions (WxHxD): 4.5in x 3.5in x 3.5in

Additional Connection Sources:

Audio: 3.5mm AUX cable
Power Source: Built-in rechargeable battery or via USB cable

Power Information:

Input: DC 5V
Battery Capacity: 1200mAh
Music playing time: Up to 5 Hours*
Charging time: 2 hours

Bluetooth® Information:

Bluetooth® Specification: V5.0
Operating Distance: 30 Ft.
System Requirements: Bluetooth®-capable device

*Depends on individual use and may be slightly more or less than the time specified.

Technical Support:

If you are experiencing problems, do not attempt to fix the product by yourself or return it to the store you bought it from. Please refer to the user manual or just contact our helpful support team:

Merkury Innovations
45 Broadway, 3rd Floor
New York, New York 10006
www.merkuryinnovations.com
support@mercuryinnovations.com

This device complies with Part 15 of the FCC Rules. Operation is subject to the two following conditions:

1. This device may not cause harmful interference.
 2. This device must accept any interference received, including interference that may cause undesired operation.
- Any Changes or modifications not expressly approved by the party responsible for compliance could void the user's authority to operate the equipment

©2019 Merkury Innovations, LLC.

To explore our full selection of products, visit us at: www.merkuryinnovations.com

Bluetooth is a registered trademark of Bluetooth SIG, Inc. The illustrated product and specifications may differ slightly from those supplied. All other trademarks and trade names are those of their respective owners.

Made in China



wave

OUTDOOR WIRELESS SPEAKER

User's Manual for UZ-S045B-101

PACKAGE INCLUDES:

WAVE Bluetooth® Speaker • Micro USB Cable • AUX Cable • User Manual

FRONT

Charge

- Plug the micro USB cable into the micro USB port on the back of the speaker, and connect the other end of the cable with any compatible charger or wall outlet.
- When charging, the small LED indicator will glow red. When fully charged, the LED indicator will turn off.
- Charging time is approximately 2 hours.

Turn On & Off

- Push and hold the power button on the top of the speaker to turn it ON and OFF.

Pair & Connect

- Make sure the speaker is turned off and your device's Bluetooth® setting is activated.
- Turn the speaker on: after a few seconds it will automatically enter into pairing mode & the LED will flash.
- On your Bluetooth®-enabled device, navigate to the Bluetooth® settings menu, turn on the Bluetooth® feature, and search for new devices.
- Wait a few seconds & select "UB S045B." The speaker will emit a tone when successfully paired.

NOTE: If your device's Bluetooth® version is below version 2.1, you may need to enter the password "0000."

AUX-IN: The speaker will switch to wired mode automatically once a AUX cable is inserted into the AUX-IN port.

NOTE: Insert a USB thumb drive or Micro SD card for direct music playback.

Play

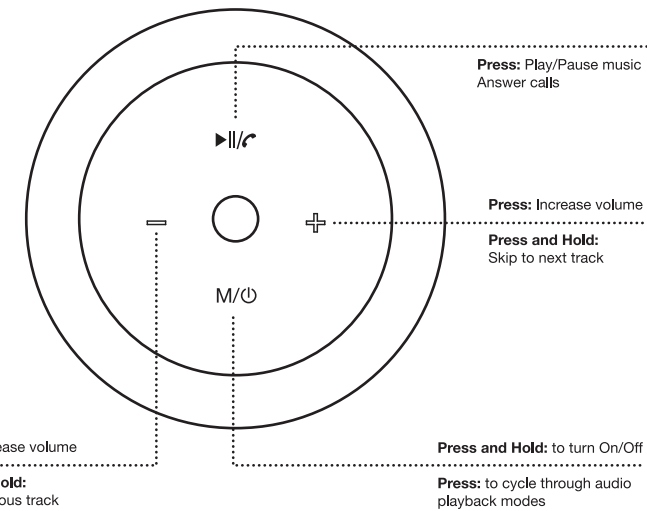
- Connect your device to the speaker via Bluetooth® (see "Pair & Connect with a New Device").
- Open your favorite music app and press play.
- Control the music, track & volume from your device, or control them from the controls on the speaker.
- Press the "M/P" button once to play/pause music/answer calls.
- Press the "+" or "-" button once to raise/lower the volume on the speaker. Press & hold to skip to the next/previous track.
- All audio, including music, games, videos, and notifications will be routed through the speaker.

Reconnect to Bluetooth®

- You only need to pair your Bluetooth® device with the speaker once.
- With your previously paired device's Bluetooth® turned on & in range, power on the speaker.
- The speaker will automatically reconnect to the last Bluetooth® device it was connected to.
- If you have a previously paired device that does not auto-reconnect, navigate to the Bluetooth® settings menu on your device, turn on the Bluetooth® feature, and select "UB S045B" from your list of paired Bluetooth® devices.

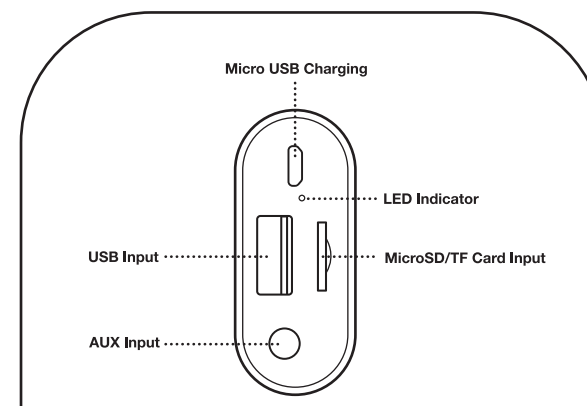
Control

Top of Speaker



Ports

Back of Speaker



BACK