

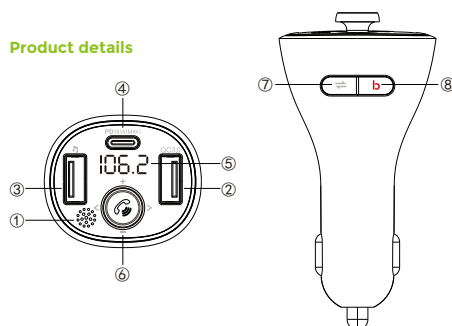
## Car Wireless FM Transmitter (With BASS Sound Enhancer)

Dual fast charging protocol using QC3.0 and PD



USER MANUAL  
Model: C73

### Product details



- 1 Microphone
- 2 QC3.0 fast charge (DC 3.6-6.5V/3A, 6.5-9V/2A, 9-12V/1.5A)
- 3 U disk (maximum 64G)/5V-1A charging output
- 4 Type-C fast charge PD 18W fast charge protocol (DC5V/3A, 9V/2A/12V/1.5A)
- 5 Yellow LED display
- 6 Phone button (Long press for 2 seconds to enter FM mode. In the off state, long press for 3 seconds to turn on. In the power on state, long press for 3 seconds to turn off)
- Five-way button: Click pause/play/hands-free (answer/hang up/reject).  
Left dial the previous song  
Right dial next song  
Up dial volume plus V+  
Dial down volume to reduce V-
- 7 Switch button: In music mode, click to switch audio source mode (U disk/Wireless mutual switching)  
In working state, double tap to wake up Siri / Google voice assistant  
In working status, long press for 3 seconds to turn off FM, screen, Wireless, and keep charging
- 8 BASS sound enhancement button

### Packaging accessories

- FM transmitter\*1
- Instruction manual\*1

### Features:

Adjust the channel of this unit to the car radio channel to be the same, you can transmit U disk music to the car stereo to play, and connect to the mobile phone Wireless can realize the Bluetooth call hands-free function through the car stereo

### Parameter

Product name: C73  
Effective distance: 5m  
U disk format and capacity: FAT32 format, maximum support 64G  
FM frequency range: 87.5MHz-108.0MHz  
Compatible audio format: MP3,WMA,WAV,FLAC  
Compatible with Wireless protocol: A2DP/AVRCP/HSP/HFP  
Orange fast charging port supports QC3.0 Protocol: (DC 3.6-6.5V/3A, 6.5-9V/2A, 9-12V/1.5A)  
Type-C port support: PD18W fast charging protocol: (DC5V/3A, 9V/2A, 12V/1.5A)

### Power on/off

**Turn on:** Insert C73 into the cigarette lighter hole of the car. After the car is started, the yellow display will automatically turn on and flash once per second. If it is off, long press the " " button for 2 seconds to turn on C73

**Shutdown:** Cut off the power to shut down or long press " " for 3 seconds to shut down

Note: Even if C73 is turned off, the charging port can still work normally

### Screen display

1. After power on, the yellow display shows bt and frequency flashing alternately
2. After the pairing is successful, the screen displays bt will be on
3. Long press the " " button to enter the frequency modulation mode (display digital frequency)

## User's guidance

### 1. FM and Wireless pairing

**Note:** In order to let you enjoy higher-quality music, you need to adjust the blank frequency of C73 to be the same as that of the car (non-local broadcast channel) when using it for the first time. Every time you use it, please make sure that the frequency between the transmitter and your car is the same (not the local broadcast channel).

1.1. Turn the car radio to a blank frequency point (that is, a channel without any broadcasting). The reference is: clear rustling.

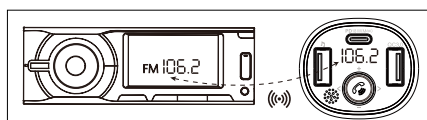
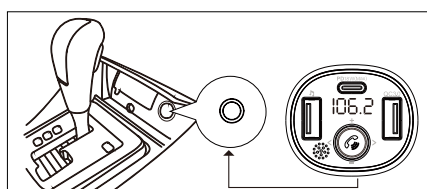
1.2. Long press the " " button for 2 seconds, the number flashes, and it enters the FM mode. Flick left and right to increase or decrease the frequency and adjust to the same frequency as the car radio, such as: FM88.8. Click the " " button again or wait 3 seconds to exit the FM mode

### 1.3. Wireless connection:

A. After powering on, the screen of C73 displays HI, and then displays the current car battery voltage. After 2 seconds, it enters the bt state, which means it enters the pairing state, waiting for pairing

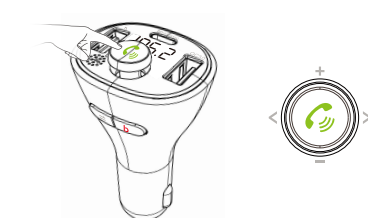
B. Turn on the Wireless of the smart device, search for "C73", and then connect. After connecting, the screen will display bt long on, and you can play music via Wireless. Usually the connection will be automatically paired but sometimes it will ask you to enter a password. If prompted, enter the initial password "0000".

(When used for the second time, C73 will connect to the last device connected last time.)



### 2. Wireless hands-free function

- A. Answer the call: Click the " " button.
- B. Hang up the call: Click the " " button.
- C. Last replay: Double click the " " button.
- D. Reject the call: Long press the " " button for 2 seconds.
- E. Switch private calls: Press and hold the " " button for 2 seconds during the call.



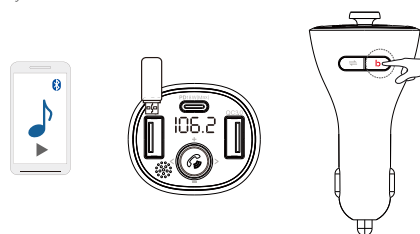
### 3. Music function (please make sure the connection is successful before use)

#### 3.1.1 Audio source: Wireless/U disk

**3.1.2 Music sound effect:** b button (red), during music playback, click the b button to turn on the b1 bass surround enhancement effect, which will strengthen the music surround bass effect, suitable for dance music, DJ, RAP, and other heavy bass songs. (For light music, please use b0 sound effect, click the b button to restore)

**A. Wireless mode:** Refer to the instructions of the smart device. Such as phone. After the Wireless connection is successful, the music on the smart device can be played and synchronized to the car's built-in speaker

**B. U Disk Mode:** Plug in the U disk, C73 will automatically recognize and play the music inside



**Note:** To ensure a better experience of the product, when using this product, please select only one audio source.

### 3.2. Audio source selection

- A. Used between Wireless and U disk, it will recognize the last connected device to play by default.
- B. Auto-play option via U disk: plug and play.
- C. After power off or restart, C73 will enter the previous playback mode (automatically play music in U disk mode, and manually play music in Wireless mode)
- D. In the music mode, click " " to switch between Wireless and U disk devices, seamlessly switch the audio source selection, choose your favorite music more quickly, and enhance the pleasant driving experience.

### 3.3. Audio playback operation

- A. Play/Pause: click " "
- B. Previous song/Next song: Left dial phone key " " is the previous song, right dial phone key " " is the next song
- C. Volume increase and decrease: dial up the phone key " " for volume V+, dial down the phone key " " for volume V-

### 4. Voice assistant

- 4.1. Double-click the switch key " " to start the voice assistant
- 4.2. Double-click the switch key " " to exit the voice assistant

### 5. QC3.0 charging port description

- 5.1. For devices that do not support QC3.0 fast charging, the maximum output is 5V/2.4A.
- 5.2. Smart devices that support QC3.0 fast charge, meet QC3.0 fast charge protocol: DC 3.6-6.5V/3A, 6.5-9V/2A, 9-12V/1.5A.

### 6. Type-C charging port description

- 6.1. For devices that do not support PD fast charging, the maximum output is 5V/2.4A
- 6.2. Devices that support PD fast charging, meet PD 18W fast charging protocol: DC5V/3A, 9V/2A, 12V/1.5A. (Please use C to C data cable, or C to C lighting data cable to insert and use)

### 7. Frequently Asked Questions (Block Diagram)

#### 7.1. Noise problem

Solution:

- A. Reduce the volume of the speaker by one third and increase the volume of the smart device
- B. Signal interference. Please switch to another empty white frequency point

#### 7.2. The other party cannot hear you during a call

- Reason 1: The dialing method is wrong solve:
- A. Click the C73 phone button " " to answer the call through the speaker in the car when there is an incoming call
  - B. Activate the phone speaker to answer the call

Reason 2: The call volume is low solve:

- A. Increase the volume of the phone
- B. The volume of the other party is too low during the call, just ask the other party to increase the volume

Reason 3: The microphone is broken

#### Suggestion: Contact customer service for help

#### (Waste electrical & electronic equipment)

The label on the product or literature indicates that it cannot be disposed of with household waste at the end of its useful life. To prevent the impact on the environment or human health caused by improper waste disposal, please separate this from other wastes and recycle them to promote sustainable development

#### Friendly reminder:

After receiving the product, do not rush to insert the product into the cigarette lighter jack of the car. After starting the car, first turn on the idle FM radio and patiently select a blank channel with no local programs on the car radio. The standard is a slight rustle. Then insert the product into the cigarette lighter jack and adjust the FM frequency of the product to be the same as the FM frequency of the car. At this time, the car radio will be very quiet, without static electricity interference. (If it is still not quiet, please try to find a new blank channel again), and finally connect to your phone via wireless. When they are successfully paired, you can listen to songs on your phone and make hands-free calls on your phone.

### **FCC Statement**

This equipment has been tested and found to comply with the limits for a Class B digital device, pursuant to part 15 of the FCC rules. These limits are designed to provide reasonable protection against harmful interference in a residential installation. This equipment generates, uses and can radiate radio frequency energy and, if not installed and used in accordance with the instructions, may cause harmful interference to radio communications. However, there is no guarantee that interference will not occur in a particular installation. If this equipment does cause harmful interference to radio or television reception, which can be determined by turning the equipment off and on, the user is encouraged to try to correct the interference by one or more of the following measures:

- Reorient or relocate the receiving antenna.
- Increase the separation between the equipment and receiver.
- Connect the equipment into an outlet on a circuit different from that to which the receiver is connected.
- Consult the dealer or an experienced radio/TV technician for help.

To assure continued compliance, any changes or modifications not expressly approved by the party.

Responsible for compliance could void the user's authority to operate this equipment. (Example- use only shielded interface cables when connecting to computer or peripheral devices).

This equipment complies with Part 15 of the FCC Rules. Operation is subject to the following two conditions:

- (1) This device may not cause harmful interference, and
- (2) This device must accept any interference received, including interference that may cause undesired operation.

RF warning statement:

The device has been evaluated to meet general RF exposure requirement. The device can be used in portable exposure condition without restriction.