

# Bluetooth Hands-Free Car Kit with Detachable Microphone

Greatly enhances the device's sound capturing ability

BTM01

USER GUIDE



## Introduction

Thanks for choosing our Bluetooth FM Transmitter with detachable microphone. This device stream music and calls directly from your Bluetooth device to your car FM stereo system. Independent, specially structured microphone greatly enhances the device's sound capturing ability, it provides you with an amazing hands-free function. Please read the user manual carefully before using. Hope this device make your driving more interesting and safer.

## Packing contents

- Bluetooth FM transmitter
- User Guide

## Features:

1. Wirelessly transmits phone call & audio streaming to the car FM stereo system via Bluetooth.
2. Switch to hands-free mode automatically from music streaming status when receiving phone call.
3. Independent & specialized structured microphone greatly enhances the device's sound capturing ability.
4. Dual Charging ports (QC3.0+PD 20W) satisfy your different charging needs.
5. Quick Activation of Siri /Google Assistant and etc...
6. Detects the voltage of Car Battery when powered on.
7. Rotatory knob for convenient operations
8. Advanced Mic for Better Voice Pickup.
9. Bluetooth Version: JL 5.1.
10. Built-in 80mAh battery, providing up to 8 hours working time.

## Specifications:

- Bluetooth Version: V5.1
- Frequency Range: F M : 88.1-107.9MHZ , Bluetooth : 2 4 0 2 -2480MHZ
- Product Input: 12-24V
- Bluetooth Distance: about 7m
- Charging Output: QC3.0 & PD 20W (38W Max)
- Charging time: about 2 hours
- Working time: about 8 hours
- Standby time: about 6 months
- Battery capacity: 80mAh
- Material: ABS + PC
- Product Size: 97\*45\*37mm
- Weight: 46.2g

## Compatibility:

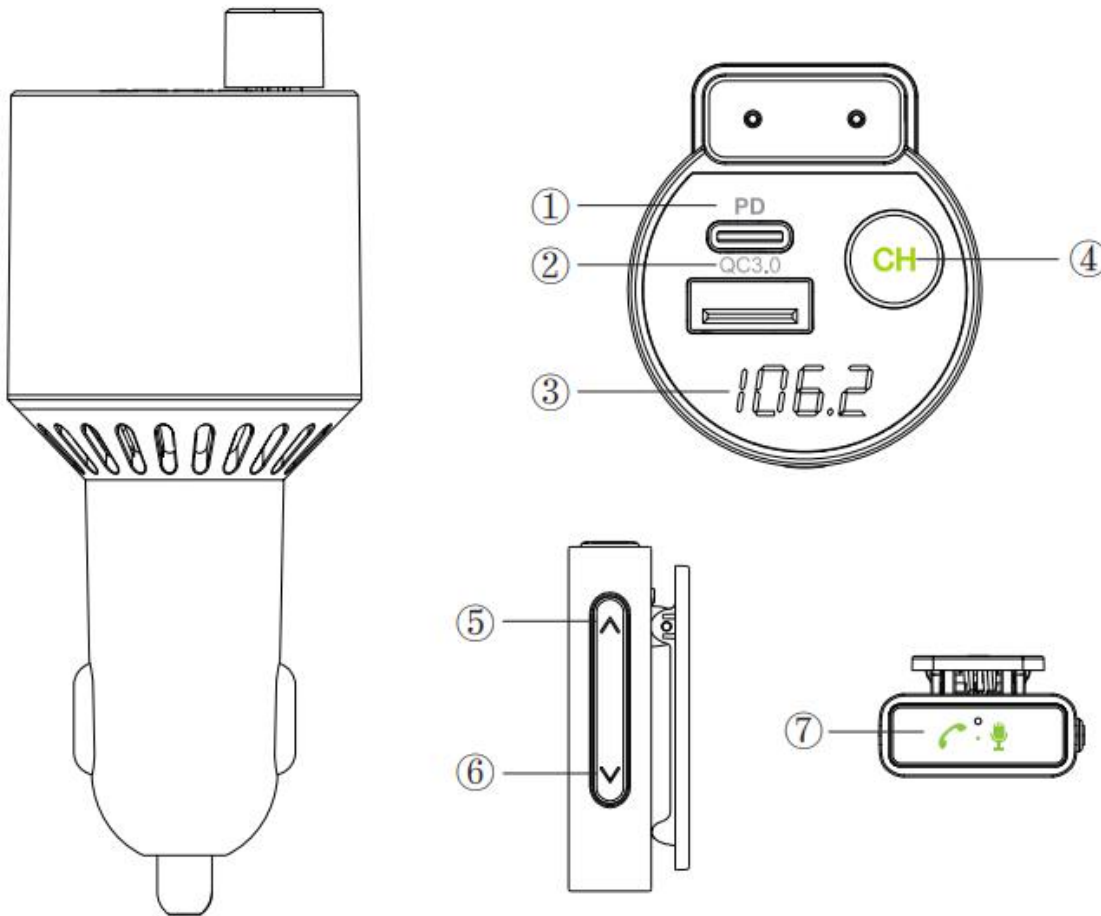
This device can be paired as a hands-free kit with any compatible Bluetooth enabled devices. Each time can only be connected with one Bluetooth device.

## Precautions

Please read all safety instruction warnings carefully before using this product. Improper use of this product may result in damage to this or attached products. To ensure the products work well, please never use this in the following conditions :



1. Moist or underwater conditions;
2. Conditions near heater or high-temperature service;
3. Conditions with direct and strong sunshine;
4. Conditions with attempted falling;
5. Never dismantle the product without due permission, otherwise it may nullify the warranty clause.

## Appearance:



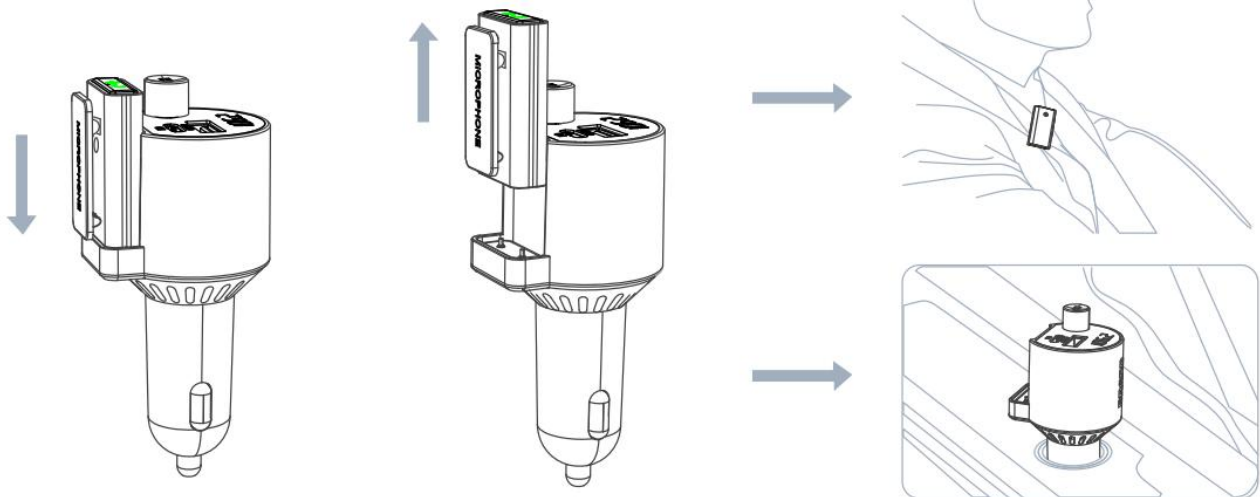
- ① PD20W charging port
- ② QC 3.0 charging port
- ③ LED display
- ④ FM frequency selection/modulation  
Volume up / Volume down  
Calling/Pause/Play/Pick up/Hang up  
Off button (Long Press)
- ⑤ Previous track / Volume up
- ⑥ Next track / Volume down
- ⑦ Calling/Pause/Play/Pick up/Hang up  
Siri /Google Assistant

## Operation Instructions

	<p>First-time use: press once to power on Press twice: Search for matches</p> <p>Press once : Pause/ Play/ Pick up/ Hang up Press and hold : Reject Incoming call</p> <p>Press and hold for 3 seconds: Siri /Google Assistant, Click again to exit.</p>
<p>&lt;</p>	<p>Press once “&lt;” button: Previous track Press and hold “&lt;” button: Volume down</p>
<p>&gt;</p>	<p>Press once “&gt;” button: Next track Press and hold “&gt;” button: Volume up</p>
	<p>Rotate in clockwise: Volume Up Rotate anticlockwise: Volume down</p> <p>Press once : Pause/ Play/ Pick up/ Hang up Press and hold : Reject Incoming call</p> <p>Press and hold for 3 seconds (Tuning Mode): Rotate in clockwise: Increase the frequency Rotate anticlockwise: Decrease the frequency</p> <p>Press and hold for 5 seconds: Power off (FM, LED display)</p>
<p>Power On</p>	<p>When the transmitter is powered on, the LED display will show the voltage detected for 3 seconds. And the transmitter will automatically pair with the MIC, and the "." next to bt will disappear when the pairing is successful.</p> <p>The Bluetooth standby status of the transmitter displays BT flashing, until the Bluetooth connection to the mobile phone is successful, the current frequency does not flash;</p>
<p>Calling status</p>	<p>Call out interface displays CAL (display SIR under siri function) Incoming call status, Incoming Call Readout.</p>
<p>Music status</p>	<p>Connect to Bluetooth, play music, display the current frequency point does not flash. The blue light of MIC flashes slowly.</p>
<p>Low-Voltage Status</p>	<p>Display the voltage interface and flash (turn on when the voltage is lower than12V).</p>
<p>Indicator Status</p>	<p>When the MIC is powered on, the bluetooth search status: red and blue lights flash slowly and alternatively; Red and blue lights flash quickly after the pairing is successful;</p> <p>In the working status: The blue light flashes slowly.</p> <p>When the MIC is not working: the red light is always on when the product is being charged, and the blue light stays on when the battery is fully charged.</p>

### How to use the detachable microphone:

- Put the detachable microphone on the Bluetooth FM Transmitter to charge. (Refer to pic below)
- Pick up the detachable microphone from the Bluetooth FM Transmitter.  
First-time use: press once to power on; Press twice: Search for matches.  
Please refer to the above **Operation Instructions** on how to pair/use.
- Clip to your clothes to enjoy amazing hands-free function.
- Remove the detachable microphone from the Bluetooth FM Transmitter and Bluetooth FM Transmitter work as a car charger.



### Using FM Transmitter function

1. Plug the FM transmitter into your vehicle's cigarette lighter or power port.
2. Tune your radio to an unused FM frequency, then match the same frequency of this unit.

### Using Bluetooth function

1. Using Bluetooth for the first time, you need to pair your mobile phone with this unit. Activate your mobile phone's Bluetooth function, then search new device. When the mobile phone detects this unit (named as "BTM01"), please pair and connect by using the original password "0000"(if needed).
2. In the music playing mode, when there is an incoming call, this unit will automatically switch to telephone mode.

### Bluetooth calling

1. Please press ④ or ⑦ to answer the incoming call.
2. Please long press ④ or ⑦ to reject a call.
3. Press ④ or ⑦ twice to dial the last number automatically.
4. During a call, press ④ or ⑦ to hang off a call, long press ④ or ⑦ to switch a private conversation.
5. When making a call, you can only dial the phone number by your mobile phone, but once the call connected, you can use the hands-free function to enjoy it.

## Playing and Controlling the Music

1. Play music directly from the mobile device that is connected to the product via Bluetooth.
2. Press the ④ or ⑦ to play or pause music.
3. Press the ⑤ and ⑥ on the back of this product to skip to the previous song or go back to the next song.
4. Press the ⑤ and ⑥ to increase or decrease volume.

*Tip: If you receive a call while playing music, the product automatically switches to the phone call.*

## Using USB charger function

Connect the USB Charger port to your mobile phone, with a USB cable (not included) when this product powered from car lighter socket, the product will serve as mobile phone charger.

### **Please note:**

Voltage outputs:

PD3.0 5V/3A 9V/2.22A 12V/1.67A

QC3.0 5V/3A 9V/2A 12V/1.5A

## Activating voice assistant

When in Bluetooth mode, long press ⑦ to activate voice assistant on your mobile phone (Siri or Google Assistant).

## OFF/ON

1. Press and hold the button ③ for 5 seconds to turn off FM/display/Bluetooth function on the product, only charging function is ON.
2. When using it for the first time, press once ⑦: power on, double click: search for pairing.

## warning

Federal Communications Commission (FCC) Statement. This device complies with part 15 of the FCC Rules.

Operation is subject to the following two conditions:

- (1) This device may not cause harmful interference, and
- (2) this device must accept any interference received,

including interference that may cause undesired operation. Note: This equipment has been tested and found to comply with the limits for a Class B digital device, pursuant to part 15 of the FCC Rules. These limits are designed to provide Reasonable protection against harmful interference in a residential installation. This equipment generates, uses and can radiate radio frequency energy and, if not installed and used in accordance with the instructions, may cause harmful interference to radio communications. However, there is no guarantee that interference will not occur in a particular installation. If this equipment does cause harmful interference to radio or television reception, which can be determined by turning the equipment off and on, the user is encouraged to try to correct the interference by one or more of the following measures:

- Reorient or relocate the receiving antenna.
- Increase the separation between the equipment and receiver.
- Connect the equipment into an outlet on a circuit different from that to which the receiver is connected.
- Consult the dealer or an experienced radio/TV technician for help.

Warning: Changes or modifications made to this device not expressly approved by SAGE HUMAN

ELECTRONICS INTERNATIONAL CO., LTD may void the FCC authorization to operate this device. Note: The manufacturer is not responsible for any radio or TV interference caused by unauthorized modifications to this equipment. Such modifications could void the user's authority to operate the equipment.

**RF exposure statement:**

The transmitter must not be colocated or operated in conjunction with any other antenna or transmitter. This equipment complies with the FCC RF radiation exposure limits set forth for an uncontrolled environment. The installation and use of this product are not restricted.