

BT95 105G铜版纸 80x100MM 单色五折页印刷

TALK FOCUS Wireless HANDSFREE CAR KIT

- Ensure high quality talking while freeway driving

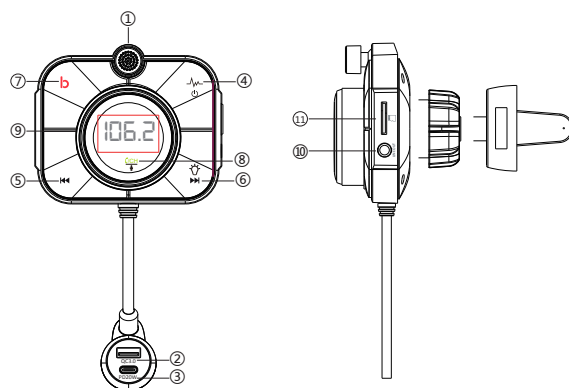
+With QC3.0 fast charging

+With PD3.0 fast charging

User Guide



Model: BT95



- Unidirectional microphone
- QC3.0 fast charging port (DC3.5-6.5V/3A, 6.5-9V/2A, 9-12V/1.5A)
- Type-C charging port: Support PD3.0 (20W) charging protocol
- Combination function
 - Noise canceling button
 - Long press for 2S to shut down (retain charging function after shutting down)
- Music mode: previous song
Mode switching: long press 2S (loop, single, random) to play
- Music mode: next song
Light switch: long press 2S (circular light, seven-color light switch)
- Combination function
 - Bass booster button
 - Long press 2S to turn off the ambient light
- Phone buttons: play/pause/answer/hang up/double-tap to start Siri
- Aluminum knob
 - *Music mode: short press to play/pause; turn left to volume V-, turn right to volume V+
 - *Incoming call mode: short press to answer; long press: reject
 - *During a call: short press to hang up; long press: transfer to a private call
 - *Long press 2S: enter FM mode: rotate CH- to the left and CH+ to the right
 - *Double click: wake up Siri/Google voice assistant, click to exit
- 3.5MM audio hole
- Mini SD card slot

Packaging accessories

- FM transmitter*1
- Instruction manual*1
- Air outlet bracket*1
- 3.5MM audio cable*1
- 4A fuse*1

Features:

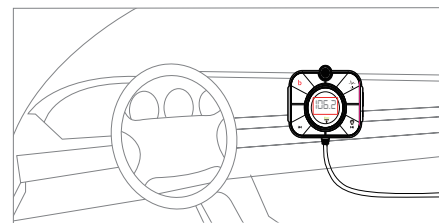
• Adjust the local channel to the car radio channel to be consistent, which can realize SD card music transmission to car speakers and solve the battery life charging of mobile phones and other smart devices. Bluetooth hands-free call function can be realized through car audio by connecting Bluetooth with mobile phones. Turning on the noise canceling button during high-speed operation can eliminate road noise, wind noise, environmental noise, etc., and realize your high-definition call experience.

Parameter

Wireless version: V5.0
Product name: BT95
Effective distance: 5m
Memory card format and capacity: Micro SD card, support 64G
FM frequency range: 87.5MHz-108.0MHz
Compatible audio format: MP3.WMA.WAV.FLAC, APE
Compatible with Bluetooth protocol: A2DP/AVRCP/HSP/HFP
Orange fast charging port: supports QC3.0 Protocol (DC 3.6-6.5V/3A, 6.5-9V/2A, 9-12V/1.5A)
Type-C port support: PD3.0 (20W) charging protocol

Product installation

- Put the threaded knob on the end of the air outlet bracket.
- Insert the set of air outlet bracket into the round hole at the back of the main unit.
- Tighten the thread
- Open the air outlet bracket and insert it into the car air-conditioning air outlet grille, tighten the screws to the best strength, adjust the angle of the machine, and then use it.



Power on/off

Turn on: Insert the BT95 into the cigarette lighter hole of the car. After the car is started, the blue display will automatically turn on and flash once per second. If it is off, long press the "⏻" button for 3 seconds to turn on BT95

Shutdown: Cut off the power to shut down or long press "⏻" for 3 seconds to shut down when there is power

Note: Even if the BT95 is turned off, the charging port can still work normally

Screen display

- After power on, the blue display shows bt and frequency flashing alternately
- After the pairing is successful, the screen displays bt will be on
- Long press the "⏻" button to enter the frequency modulation mode (display digital frequency)

User's guidance

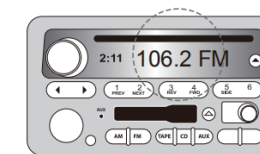
1. FM and Bluetooth pairing

Note: In order to let you enjoy higher-quality music, you need to adjust the blank frequency of BH469 to be the same as that of the car (non-local broadcast channel) when using it for the first time. Every time you use it, please make sure that the frequency between the transmitter and your car is the same (not the local broadcast channel).

- Turn the car radio to a blank frequency point (that is, a channel without any broadcasting). The reference is: clear rustling.
- Long press the "⏻" button, the number flashes to enter the FM mode, turn the knob left and right to increase or decrease the frequency, and adjust to the same frequency as the car radio, such as: FM88.8. Click the "⏻" button again or wait 3 seconds to exit the FM mode mode
- Bluetooth connection:

A. After power on, the BT95 screen displays HI, and then displays the current car battery voltage. After 2 seconds, it enters the bt state, which means it enters the pairing state, waiting for pairing
B. Turn on the bluetooth of the smart device, search for "BT95", then connect, after connecting, the screen displays bt long on, and you can play music via bluetooth. Usually the connection will be automatically paired but sometimes it will ask you to enter a password. If prompted, enter the initial password "0000".

(When used for the second time, BT95 will connect to the last device connected last time.)

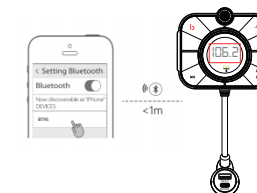


(1) Find a blank frequency in your car radio (to ensure the sound quality of the device, please first select a blank channel with no local broadcast programs)

(2) Long press "⏻" to enter FM mode
In FM mode: Left-hand knob button CH-
Turn the knob to the right key CH+
In music mode: Left-hand knob button volume V-
Turn the knob to the right button volume V+

(3) Enter Bluetooth pairing mode
Turn on the phone's Bluetooth, search for the Bluetooth name: BT95, click connect, open the music player, and click play to play Bluetooth music in the car.

(4)



2. Bluetooth hands-free function

- Answer the call: Click the "☎" button.
- Hang up the call: Click the "⏻" button.
- Reject the call: long press the "☎" button for 2 seconds
- Switch private calls: Press and hold the "☎" button for 2 seconds during the call.

3. Music function (please make sure the connection is successful before use)

- Audio source: Bluetooth/TF card
- Music sound effect: default stereo sound effect playback
- File mode: Insert a Micro SD card containing MP3 / WMA / APE / FLAC / WAV / APE files into the transmitter, and the transmitter will automatically start playing the files. When there is an incoming call, this device will automatically switch to the call.

A. Bluetooth mode: Refer to the instructions of the smart device.

Such as phone. After the Bluetooth connection is successful, the music on the smart device can be played and synchronized to the car's built-in speaker

B. TF card mode: plug in TF, "BT95" will automatically recognize and play the music inside

Note: To ensure a better experience of the product, when using this product, please select only one audio source.

3.2. Audio source selection

- Used between Bluetooth and TF card, it will recognize the last connected device to play by default.
- Auto play option via TF card: plug and play.
- After power off or restart, BT95 will enter the previous play mode (automatically play music in TF card mode, and manual play in Bluetooth mode is required)

3.3. Audio playback operation

- Play/Pause: Click ⏻
- Previous/Next: Short press "⏮" to play the previous song, short press "⏭" to the next song

3.4. Switching the music playing mode

A. In the music play mode, long press the "⏻" button for 2S to switch (list loop play, single loop play, random play) and other play modes

4. High-speed noise canceling button

4.1. During a call, click "⏻" the button to enter the high-speed noise cancellation mode, and there will be a Dingdong voice prompt. When talking with the other party, the noise in the car environment will be suppressed, so that the person who answers the call can enjoy a clear and interference-free call experience.

4.2. Click the "⏻" button again to exit the high-speed noise cancellation mode

5. QC3.0 charging port description

- The output power is 18W, compatible with FCP/QC3.0/QC2.0/BC1.2/DCP, etc.
- Smart devices that support QC3.0 fast charge, meet QC3.0 fast charge protocol: DC 3.6-6.5V/3A, 6.5-9V/2A, 9-12V/1.5A.

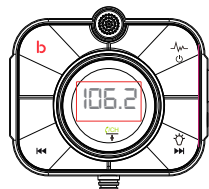
6. Type-C charging port description

- Output power 20W, support PD3.0 fast charging protocol
- Smart devices that support PD3.0 protocol, meet DC 5V/3A, 9V/2.22A, 12V/1.67A output

7. Activate the voice assistant function

- Support Siri and Google Assistant voice assistant wake-up
- Press and hold the "☎" button for 2 seconds to wake up under Bluetooth connection

8. How to ensure high-quality calls when driving on the highway



- Adjust the direction of the microphone until he is directly facing the driver
- Press the "⏻" button during the call, (when you hear the Dingdong tone, turn on the road noise reduction mode)

9. Ambient light color switching

9.1 Long press the "💡" button in any mode to switch the ambient light (red/green/blue/yellow/purple/sky blue/white/orange/multi-color light rotation)

10. Schematic diagram of fuse replacement

- *Highly developed security
- *Innovative fuse tube design and replaceable
- *It can protect your car and car charger in case of overcurrent.

* Comes with a spare fuse 

Detailed accessories

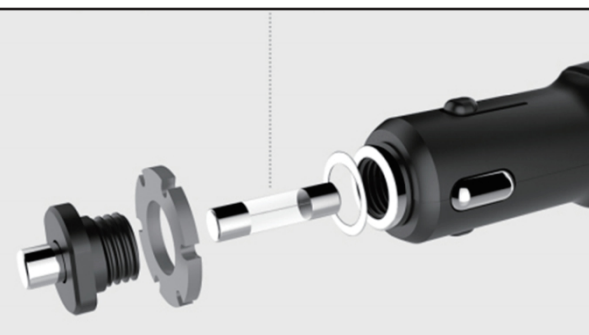
- Metal washers
- Fuse
- Rubber gasket
- Metal tip screws

How to install the fuse?

- Rotate the screw on the bottom of the Bluetooth FM transmitter counterclockwise
- Insert the fuse into the screw hole with the metal tip, the metal on the edge of the fuse will be attached to the metal tip
- Assemble the rubber gasket
- Assemble the metal gasket
- Turn the screw clockwise to the bottom of the Bluetooth FM transmitter

11. Frequently Asked Questions (Block Diagram)

- Noise issues
Solution:
A. Reduce the volume of the speaker by one third and increase the volume of the smart device
- Signal interference. Please switch to another empty white frequency point
- Plug and unplug the machine again to restore the initial state and work again



11.2. The other party cannot hear you during a call

Reason 1: The dialing method is wrong
solve:

- When a call comes in, click the phone button "" to answer the call through the speaker in the car
- Activate the phone speaker to answer the call

Reason 2: The call volume is low
solve:

- Increase the volume of the phone.
- The volume of the other party is too low during the call, just ask the other party to increase the volume.

Reason 3: The microphone is broken

Suggestion: Contact customer service for help

Friendly reminder:

After receiving the product, do not rush to insert the product into the cigarette lighter jack of the car. After starting the car, first turn on the idle FM radio, and patiently select a blank channel with no local programs on the car radio. The standard is a slight rustle. Then insert the product into the cigarette lighter jack and adjust the FM frequency of the product to be the same as the FM frequency of the car. At this time, the car radio will be very quiet and there will be no static electricity interference. (If it is still not quiet, please try to find a new blank channel again), and finally connect to your phone via wireless. When they are successfully paired, you can listen to songs on your phone and make hands-free calls on your phone.

FCC statement

This device complies with Part 15 of the FCC rules.

Operation is subject to the following two conditions:

- this device may not cause harmful interference, and
 - this device must accept any interference received, including interference that may
- Note: This equipment has been tested and found to comply with the limits for a Class

B digital device, pursuant to part 15 of the FCC Rules. These limits are designed to provide reasonable protection against harmful interference in a residential installation. This equipment generates uses and can radiate radio frequency energy and, if not installed and used in accordance with the instructions, may cause harmful interference to radio communications. However, there is no guarantee that interference will not occur in particular installation. If this equipment does cause harmful interference to radio or television reception, which can be determined by turning the equipment off and on, the user is encouraged to try to correct the interference by one or more of the following measures:
--Reorient or relocate the receiving antenna.
--Increase the separation between the equipment and receiver.
--Connect the equipment into an outlet on a circuit different from that to which the receiver is connected.

--Consult the dealer or an experienced radio/TV technician for help.
Changes or modifications not expressly approved by the party responsible for compliance could void the user's authority to operate the equipment.
FCC Radiation Exposure Statement

This device complies with FCC RF radiation exposure limits set forth for an uncontrolled environment. This transmitter must not be co-located or operating in conjunction with any other antenna or transmitter.