

## Bluetooth FM Transmitter for Car

- Ensure high quality talking while freeway driving

+With QC3.0 fast charging

User Guide



Model: BT92

### Brief Introduction

Thanks for choosing our Wireless FM Transmitter. This device streams music and phone call directly from your Wireless device to your car FM stereo system. Adopting the external unidirectional microphone ensures a high quality talking while driving; And a Micro SD card slot that lets you enjoy favorite tunes by your car's stereo system. What's more, it also equips Dual USB ports (QC 3.0 & 2.4A) for your charging solution. Hope this device makes your driving more interesting and safer.

### Packing contents:

- Wireless device X 1
- User Guide X 1
- Sticky nano-silicon pad X 1

### Specifications:

- Wireless Version: V5.0
- Wireless Protocol: AVRCP,HFP,A2DP
- Frequency Range: 88.1-107.9MHZ
- Frequency Stability: ±10ppm
- Product Input: 12-24V
- Micro SD Card (max Capacity): 32GB
- Music Format: MP3,WMA, APE,FLAC,WAV
- Wireless Distance: about 5m
- Charger Output: 5V/2.4A + 5V/3A
- Size of Screen: 16\*27mm(White LED)
- Language: English
- Material: ABS+PC
- Product Size: 66.75\*43\*72.8mm
- Power Size: 37.7\*28.8\*90.16mm
- Product Weight: 85g
- Cable length: 1.2M

### Features:

1. Wirelessly transmit phone call & audio streaming to the car FM stereo system via Wireless.
2. Switch to Hands-free mode automatically from music streaming status when receiving phone call.
3. External unidirectional microphone to optimize your voice better and reject other noise
4. Suppress environment noises by a simple Click.
5. Exquisite & dashboard mount design adds luster to your car interior.
6. Quick activation of Siri /Google assistant and etc...
7. Detect the voltage of car battery when powered on
8. Support to turn off FM transmission function.
9. Support TF card reading Max 32G
10. Dual USB Charging Ports: 5V/2.4A + QC3.0
11. Big white LED display

### Compatibility:

This device can be paired as a hands free kit with any compatible Wireless 2.1 or higher enabled devices.

### Precautions:

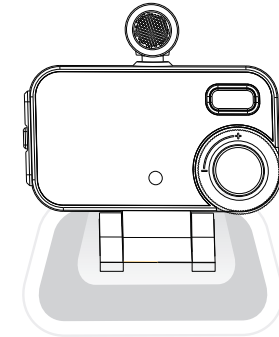
- Please read all safety instruction warnings carefully before using this product. Improper use of this product may result in damage to this or attached products. To ensure the products work well, please never use this in the following conditions:
1. Moist or underwater conditions.
  2. Conditions near heater or high-temperature service.
  3. Conditions with direct and strong sunshine.
  4. Conditions with adapter damage
  5. Never dismantle the product without due permission, otherwise it may nullify the warranty clause.

### Installation

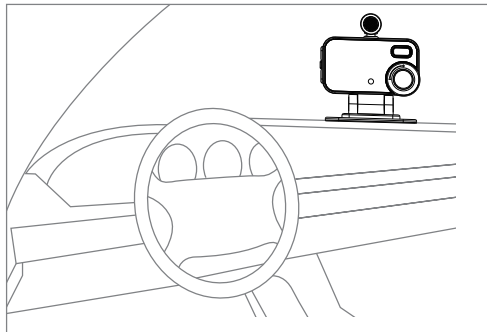
1. Tear the top protective film of nano-silicon pad.



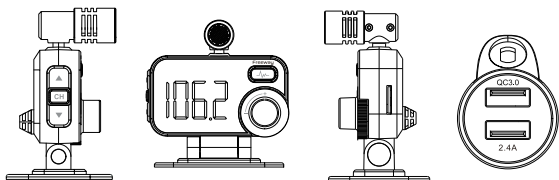
2. Put the device on the pad.



3. Tear the bottom protective film and paste it on the dashboard.



### Appearance:



### Button Controls

	1. Frequency increase 2. Previous song		1. Frequency decrease 2. Next song
<b>CH</b>	1. CH Button 2. Press and hold for 5 seconds to turn off FM transmission function		Unidirectional microphone
	Freeway button-it works when the light is on		Dual USB charging ports (QC 3.0 + 5V/2.4A)
	1. Under music model, clockwise rotation to increase the volume, anti-clockwise rotation to decrease the volume; 2. Press and hold for 1s to activate voice assistant; 3. Under FM model, clockwise rotation to increase the FM frequency, anti-clockwise rotation to decrease the FM frequency; 4. Short press to pick up the calling, press again to hang off the calling; 5. Long press to reject the calling when incoming a call; 6. During a calling, long press to switch the private calling.		

### Operation Instructions:

#### FM SETTING

1. Plug BT92 into your vehicle's cigarette lighter, turn your car radio to an unoccupied FM frequency, press "CH" and adjust the transmitter frequency to the same frequency as the car radio by pressing "▲" or "▼".
2. Press and hold "CH" for 5 seconds to turn off FM transmission function, but the charging keeps working.

#### USING THE Wireless FUNCTION

1. **Wireless pairing:** make sure the unit is powered. Search for available devices in your phone and choose "BT92".
2. **Wireless music:** Under Wireless is connected, open the phone player. If Wireless media is paused for 10 seconds, the player will automatically switch to file mode if files are detected.

#### FILE MODE

Insert a Micro SD card containing MP3/WMA/APE/FLAC/WAV files in the transmitter. The transmitter will automatically start playing the files. When there is an incoming call, this device will automatically switch to the calling.

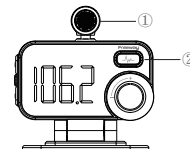
#### CHARGING FUNCTION

This device with dual USB ports for charging. One port is QC3.0. Another port is 5V/1A. Total 23W. When this unit powered from car lighter socket, connect the USB Charger port to your mobile phone or others device with a special USB cable (not included) for charging.

#### HANDSFREE

1. Press the knob to answer the incoming call or hang off a call.
2. Press and hold the knob for 2 seconds to reject the incoming call in Wireless calling mode.
3. Double press the knob to dial the last number automatically.
4. When the call connected, long press the knob to switch a private call.
5. When making a call, you can only dial the phone number by your mobile phone, but once the call connected.

#### HOW TO ENSURE HIGH QUALITY TALKING WHILE FREEWAY DRIVING



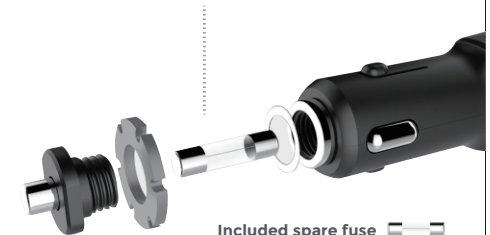
1. Adjust the direction of microphone until it directly face to driver;
2. Press the "Freeway button". (when the red light is on, it is under reduction road noise mode.)

#### HOW TO ACTIVATE VOICE ASSISTANT (e.g. Siri/Google assistant)

Press and hold the knob for 1 second to quickly access voice assistant.

### Highly Evolved Safety

Innovated **Fuse Tube** design and **Replaceable**, can protect your car and car charger when over current.



#### Metal washer

- Fuse
- Rubber washer
- Screw with metal tip

#### How to install the fuse?

1. Rotate the screw anticlockwise at the bottom of the Wireless FM Transmitter
2. Put the fuse into the hole of the screw with metal tip, the metal on the edge of the fuse will attach to the metal tip
3. Assemble the rubber washer
4. Assemble the metal washer
5. Rotate the screw clockwise into the bottom of the Wireless FM Transmitter

### **FCC Statement**

This equipment has been tested and found to comply with the limits for a Class B digital device, pursuant to part 15 of the FCC rules. These limits are designed to provide reasonable protection against harmful interference in a residential installation. This equipment generates, uses and can radiate radio frequency energy and, if not installed and used in accordance with the instructions, may cause harmful interference to radio communications. However, there is no guarantee that interference will not occur in a particular installation. If this equipment does cause harmful interference to radio or television reception, which can be determined by turning the equipment off and on, the user is encouraged to try to correct the interference by one or more of the following measures:

- Reorient or relocate the receiving antenna.
- Increase the separation between the equipment and receiver.
- Connect the equipment into an outlet on a circuit different from that to which the receiver is connected.
- Consult the dealer or an experienced radio/TV technician for help.

To assure continued compliance, any changes or modifications not expressly approved by the party.

Responsible for compliance could void the user's authority to operate this equipment. (Example- use only shielded interface cables when connecting to computer or peripheral devices).

This equipment complies with Part 15 of the FCC Rules. Operation is subject to the following two conditions:

- (1) This device may not cause harmful interference, and
- (2) This device must accept any interference received, including interference that may cause undesired operation.

RF warning statement:

The device has been evaluated to meet general RF exposure requirement. The device can be used in portable exposure condition without restriction.