



TEST REPORT

FCC PART 15.247

Report Reference No.: CTL2104092092-WF

Compiled by:
(position+printed name+signature)

Happy Guo
(File administrators)

Happy Guo

Tested by:
(position+printed name+signature)

Gary Gao
(Test Engineer)

Gary Gao

Approved by:
(position+printed name+signature)

Ivan Xie
(Manager)

Ivan Xie

Product Name..... : Car FM Transmitter

Model/Type reference..... : BT61Q

List Model(s)..... : BT60, BT61, BT79DS, BT80, BT62, BT85D

Trade Mark..... : N/A

FCC ID..... : 2AJ5B-BT61Q

Applicant's name..... : **SAGE HUMAN ELECTRONICS INTERNATIONAL CO., LTD.**

Address of applicant..... : 4F., A Building, Rongli Industrial Park, No.2 Guiyuan Rd. Guihua Community, Guanlan Town, Longhua New Dist. Shenzhen, China

Test Firm..... : **Shenzhen CTL Testing Technology Co., Ltd.**

Address of Test Firm..... : Floor 1-A, Baisha Technology Park, No.3011, Shahexi Road, Nanshan District, Shenzhen, China 518055

Test specification..... :

Standard..... : **FCC Part 15.247:** Operation within the bands 902-928 MHz, 2400-2483.5 MHz and 5725-5850 MHz.

TRF Originator..... : Shenzhen CTL Testing Technology Co., Ltd.

Master TRF..... : Dated 2011-01

Date of receipt of test item..... : May 24, 2021

Date of sampling..... : May 24, 2021

Date of Test Date..... : May 24, 2021-Jun. 10, 2021

Date of Issue..... : Jun. 10, 2021

Result..... : **Pass**

Shenzhen CTL Testing Technology Co., Ltd. All rights reserved.

This publication may be reproduced in whole or in part for non-commercial purposes as long as the Shenzhen CTL Testing Technology Co., Ltd. is acknowledged as copyright owner and source of the material. Shenzhen CTL Testing Technology Co., Ltd. takes no responsibility for and will not assume liability for damages resulting from the reader's interpretation of the reproduced material due to its placement and context.

TEST REPORT

| | |
|---|--------------------------------|
| Test Report No. : CTL2104092092-WF | Jun. 10, 2021 Date of issue |
|---|--------------------------------|

Equipment under Test : Car FM Transmitter

Sample No : CTL210409209-1-S002

Model /Type : BT61Q

Listed Models : BT60, BT61, BT79DS, BT80, BT62, BT85D

Applicant : **SAGE HUMAN ELECTRONICS INTERNATIONAL CO., LTD.**

Address : 4F., A Building, Rongli Industrial Park, No.2 Guiyuan Rd. Guihua Community, Guanlan Town, Longhua New Dist. Shenzhen, China

Manufacturer : **SAGE HUMAN ELECTRONICS INTERNATIONAL CO., LTD.**

Address : 4F., A Building, Rongli Industrial Park, No.2 Guiyuan Rd. Guihua Community, Guanlan Town, Longhua New Dist. Shenzhen, China

| | |
|--------------------|---------------|
| Test result | Pass * |
|--------------------|---------------|

*In the configuration tested, the EUT complied with the standards specified page 5.

Note: The device (Product Name: Car FM Transmitter) Models Name: BT61Q, BT60, BT61, BT79DS have same electrical, PCB and BOM, only the colour and model's names are different for marketing requirements.

The test results presented in this report relate only to the object tested.

This report shall not be reproduced, except in full, without the written approval of the issuing testing laboratory.

Table of Contents

Page

| | |
|--|-----------|
| 1. SUMMARY..... | 5 |
| 1.1. TEST STANDARDS..... | 5 |
| 1.2. TEST DESCRIPTION..... | 5 |
| 1.3. TEST FACILITY..... | 6 |
| 1.4. STATEMENT OF THE MEASUREMENT UNCERTAINTY..... | 6 |
| 2. GENERAL INFORMATION..... | 8 |
| 2.1. ENVIRONMENTAL CONDITIONS..... | 8 |
| 2.2. GENERAL DESCRIPTION OF EUT..... | 8 |
| 2.3. DESCRIPTION OF TEST MODES AND TEST FREQUENCY..... | 9 |
| 2.4. EQUIPMENTS USED DURING THE TEST..... | 10 |
| 2.5. RELATED SUBMITTAL(S) / GRANT (S)..... | 10 |
| 2.6. MODIFICATIONS..... | 10 |
| 3. TEST CONDITIONS AND RESULTS..... | 11 |
| 3.1. CONDUCTED EMISSIONS TEST..... | 11 |
| 3.2. RADIATED EMISSIONS AND BAND EDGE..... | 14 |
| 3.3. MAXIMUM PEAK OUTPUT POWER..... | 21 |
| 3.4. 20DB BANDWIDTH..... | 22 |
| 3.5. FREQUENCY SEPARATION..... | 23 |
| 3.6. NUMBER OF HOPPING FREQUENCY..... | 24 |
| 3.7. TIME OF OCCUPANCY (DWELL TIME)..... | 25 |
| 3.8. OUT-OF-BAND EMISSIONS..... | 26 |
| 3.9. PSEUDORANDOM FREQUENCY HOPPING SEQUENCE..... | 27 |
| 3.10. ANTENNA REQUIREMENT..... | 28 |
| 4. TEST SETUP PHOTOS OF THE EUT..... | 29 |
| 5. PHOTOS OF THE EUT..... | 30 |

1. SUMMARY

1.1. TEST STANDARDS

The tests were performed according to following standards:

[FCC Rules Part 15.247](#): Frequency Hopping, Direct Spread Spectrum and Hybrid Systems that are in operation within the bands of 902-928 MHz, 2400-2483.5 MHz, and 5725-5850 MHz

[ANSI C63.10: 2013](#): American National Standard for Testing Unlicensed Wireless Devices

1.2. Test Description

| FCC PART 15.247 | | |
|----------------------------|---|------|
| FCC Part 15.207 | AC Power Conducted Emission | PASS |
| FCC Part 15.247(a)(1)(i) | 20dB Bandwidth | PASS |
| FCC Part 15.247(d) | Spurious RF Conducted Emission | PASS |
| FCC Part 15.247(b) | Maximum Peak Output Power | PASS |
| FCC Part 15.247(b) | Pseudorandom Frequency Hopping Sequence | PASS |
| FCC Part 15.247(a)(1)(iii) | Number of hopping frequency & Time of Occupancy | PASS |
| FCC Part 15.247(a)(1) | Frequency Separation | PASS |
| FCC Part 15.205/15.209 | Radiated Emissions | PASS |
| FCC Part 15.247(d) | Band Edge Compliance of RF Emission | PASS |
| FCC Part 15.203/15.247 (b) | Antenna Requirement | PASS |

1.3. Test Facility

1.3.1 Address of the test laboratory

Shenzhen CTL Testing Technology Co., Ltd.

Floor 1-A, Baisha Technology Park, No. 3011, Shahexi Road, Nanshan, Shenzhen 518055 China

There is one 3m semi-anechoic chamber and two line conducted labs for final test. The Test Sites meet the requirements in documents ANSI C63.4 and CISPR 32/EN 55032 requirements.

1.3.2 Laboratory accreditation

The test facility is recognized, certified, or accredited by the following organizations:

CNAS-Lab Code: L7497

Shenzhen CTL Testing Technology Co., Ltd. has been assessed and proved to be in compliance with CNAS-CL01 Accreditation Criteria for Testing and Calibration Laboratories (identical to ISO/IEC 17025: 2005 General Requirements) for the Competence of Testing and Calibration Laboratories.

A2LA-Lab Cert. No. 4343.01

Shenzhen CTL Testing Technology Co., Ltd, EMC Laboratory has been accredited by A2LA for technical competence in the field of electrical testing, and proved to be in compliance with ISO/IEC 17025: 2005 General Requirements for the Competence of Testing and Calibration Laboratories and any additional program requirements in the identified field of testing.

IC Registration No.: 9618B

CAB identifier: CN0041

The 3m alternate test site of Shenzhen CTL Testing Technology Co., Ltd. EMC Laboratory has been registered by Innovation, Science and Economic Development Canada to test to Canadian radio equipment requirements with Registration No.: 9618B on Jan. 22, 2019.

FCC-Registration No.: 399832

Designation No.: CN1216

Shenzhen CTL Testing Technology Co., Ltd. EMC Laboratory has been registered and fully described in a report filed with the (FCC) Federal Communications Commission. The acceptance letter from the FCC is maintained in our files. Registration 399832, December 08, 2017.

1.4. Statement of the measurement uncertainty

The data and results referenced in this document are true and accurate. The reader is cautioned that there may be errors within the calibration limits of the equipment and facilities. The measurement uncertainty was calculated for all measurements listed in this test report acc. to CISPR 16 - 4 "Specification for radio disturbance and immunity measuring apparatus and methods – Part 4: Uncertainty in EMC Measurements" and is documented in the Shenzhen CTL Testing Technology Co., Ltd. quality system acc. to DIN EN ISO/IEC 17025. Furthermore, component and process variability of devices similar to that tested may result in additional deviation. The manufacturer has the sole responsibility of continued compliance of the device.

Hereafter the best measurement capability for CTL laboratory is reported:

| Test | Measurement Uncertainty | Notes |
|---|-------------------------|-------|
| Transmitter power conducted | ±0.57 dB | (1) |
| Transmitter power Radiated | ±2.20 dB | (1) |
| Conducted spurious emission 9KHz-40 GHz | ±2.20 dB | (1) |
| Occupied Bandwidth | ±0.01ppm | (1) |
| Radiated Emission 30~1000MHz | ±4.10dB | (1) |
| Radiated Emission Above 1GHz | ±4.32dB | (1) |
| Conducted Disturbance0.15~30MHz | ±3.20dB | (1) |

- (1) This uncertainty represents an expanded uncertainty expressed at approximately the 95% confidence level using a coverage factor of $k=2$.

2. GENERAL INFORMATION

2.1. Environmental conditions

During the measurement the environmental conditions were within the listed ranges:

| | |
|---------------------|---------|
| Normal Temperature: | 25°C |
| Relative Humidity: | 55 % |
| Air Pressure: | 101 kPa |

2.2. General Description of EUT

| | |
|-----------------------|--|
| Product Name: | Car FM Transmitter |
| Model/Type reference: | BT61Q |
| Power supply: | Input : DC 12V-24V Output: DC 5V/2.4A |
| Bluetooth : | |
| Supported type: | Bluetooth BR/EDR |
| Modulation: | GFSK, $\pi/4$ DQPSK, 8DPSK |
| Operation frequency: | 2402MHz~2480MHz |
| Channel number: | 79 |
| Channel separation: | 1MHz |
| Antenna type: | PCB Antenna |
| Antenna gain: | -0.68 dBi |

Note1: For more details, please refer to the user's manual of the EUT.

Note2: Antenna gain provided by the applicant.

2.3. Description of Test Modes and Test Frequency

The Applicant provides communication tools software to control the EUT for staying in continuous transmitting (Duty Cycle more than 98%) and receiving mode for testing .There are 79 channels provided to the EUT and Channel 00/39/78 were selected to test.

Operation Frequency :

| Channel | Frequency (MHz) |
|---------|-----------------|
| 00 | 2402 |
| 01 | 2403 |
| ⋮ | ⋮ |
| 38 | 2440 |
| 39 | 2441 |
| 40 | 2442 |
| ⋮ | ⋮ |
| 77 | 2479 |
| 78 | 2480 |

Preliminary tests were performed in each mode and packet length of BT, and found worst case as bellow, finally test were conducted at those mode and recorded in this report.

| Test Items | Worst case |
|----------------------------------|--|
| Conducted Emissions | DH5 Middle channel |
| Radiated Emissions and Band Edge | DH5 |
| Maximum Conducted Output Power | DH5/2DH5/3DH5 |
| 20dB Bandwidth | DH5/2DH5/3DH5 |
| Frequency Separation | DH5/2DH5/3DH5 Middle channel |
| Number of hopping frequency | DH5/2DH5/3DH5 |
| Time of Occupancy (Dwell Time) | DH1/DH3/DH5 Middle channel 2DH1/2DH3/2DH5 Middle channel 3DH1/3DH3/3DH5 Middle channel |
| Out-of-band Emissions | DH5/2DH5/3DH5 |

2.4. Equipments Used during the Test

| Test Equipment | Manufacturer | Model No. | Serial No. | Calibration Date | Calibration Due Date |
|----------------------------|----------------------|-----------|--------------|------------------|----------------------|
| LISN | R&S | ESH2-Z5 | 860014/010 | 2021/05/10 | 2022/05/09 |
| Bilog Antenna | Sunol Sciences Corp. | JB1 | A061713 | 2020/04/08 | 2023/04/07 |
| EMI Test Receiver | R&S | ESCI | 1166.5950.03 | 2021/05/10 | 2022/05/09 |
| Spectrum Analyzer | Agilent | E4407B | MY41440676 | 2021/05/19 | 2022/05/18 |
| Spectrum Analyzer | Agilent | N9020A | US46220290 | 2021/05/19 | 2022/05/18 |
| Spectrum Analyzer | Keysight | N9020A | MY53420874 | 2021/05/19 | 2022/05/18 |
| Controller | EM Electronics | EM 1000 | 060859 | 2021/05/13 | 2022/05/12 |
| Horn Antenna | Sunol Sciences Corp. | DRH-118 | A062013 | 2021/05/13 | 2022/05/12 |
| Active Loop Antenna | Da Ze | ZN30900A | / | 2021/05/20 | 2022/05/19 |
| Amplifier | Agilent | 8449B | 3008A02306 | 2021/05/13 | 2022/05/12 |
| Amplifier | Agilent | 8447D | 2944A10176 | 2021/05/11 | 2022/05/10 |
| Temperature/Humidity Meter | Gangxing | CTH-608 | 02 | 2021/05/16 | 2022/05/15 |
| Power Sensor | Agilent | U2021XA | MY55130004 | 2021/05/19 | 2022/05/18 |
| Power Sensor | Agilent | U2021XA | MY55130006 | 2021/05/19 | 2022/05/18 |
| Spectrum Analyzer | RS | FSP | 1164.4391.38 | 2021/05/15 | 2022/05/14 |
| Test Software | | | | | |
| Name of Software | | | Version | | |
| TST-PASS | | | 1.0.5 | | |
| ES-K1(Below 1GHz) | | | V1.71 | | |
| e3(Above 1GHz) | | | 6.111221a | | |

The calibration interval was one year

2.5. Related Submittal(s) / Grant (s)

This submittal(s) (test report) is intended to comply with Section 15.247 of the FCC Part 15, Subpart C Rules.

2.6. Modifications

No modifications were implemented to meet testing criteria.

3. TEST CONDITIONS AND RESULTS

3.1. Conducted Emissions Test

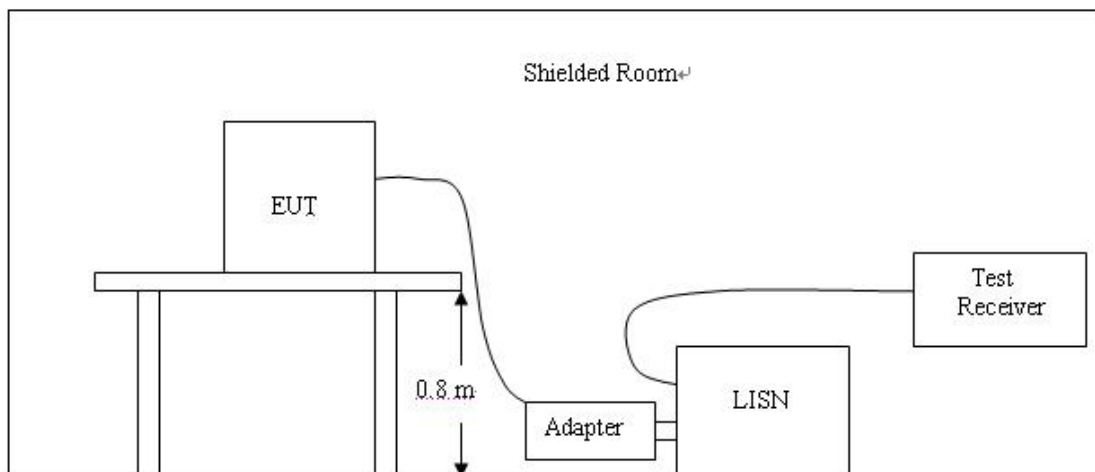
LIMIT

FCC CFR Title 47 Part 15 Subpart C Section 15.207

| Frequency range (MHz) | Limit (dBuV) | |
|-----------------------|--------------|-----------|
| | Quasi-peak | Average |
| 0.15-0.5 | 66 to 56* | 56 to 46* |
| 0.5-5 | 56 | 46 |
| 5-30 | 60 | 50 |

* Decreases with the logarithm of the frequency.

TEST CONFIGURATION



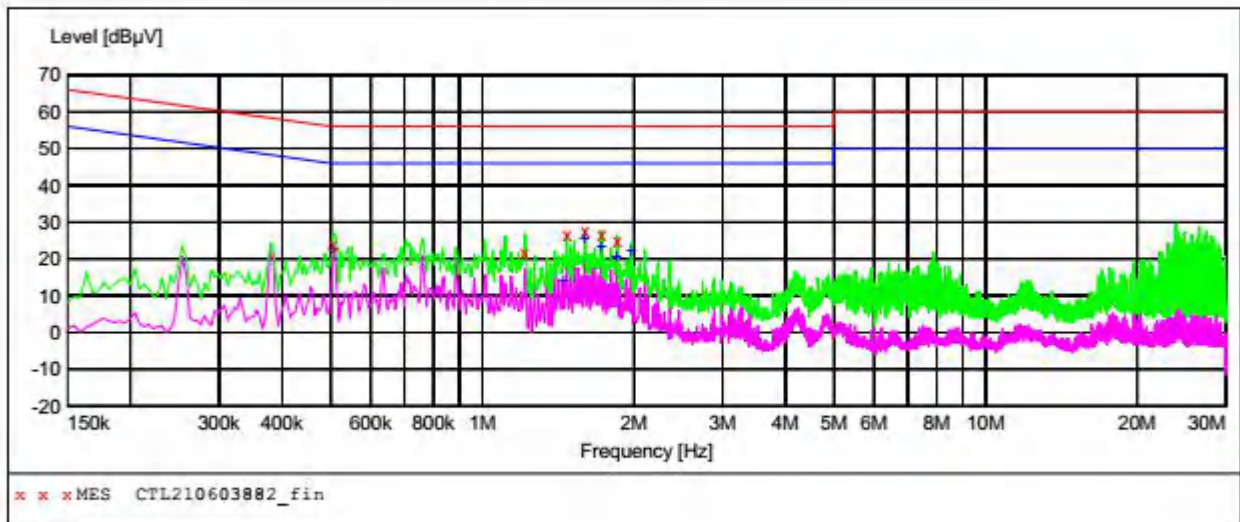
TEST PROCEDURE

1. The equipment was set up as per the test configuration to simulate typical actual usage per the user's manual. The EUT is a tabletop system; a wooden table with a height of 0.8 meters is used and is placed on the ground plane as per ANSI C63.10:2013.
2. Support equipment, if needed, was placed as per ANSI C63.10:2013.
3. All I/O cables were positioned to simulate typical actual usage as per ANSI C63.10:2013.
4. The adapter received AC120V/60Hz power through a Line Impedance Stabilization Network (LISN) which supplied power source and was grounded to the ground plane.
5. All support equipments received AC power from a second LISN, if any.
6. The EUT test program was started. Emissions were measured on each current carrying line of the EUT using a spectrum Analyzer / Receiver connected to the LISN powering the EUT. The LISN has two monitoring points: Line 1 (Hot Side) and Line 2 (Neutral Side). Two scans were taken: one with Line 1 connected to Analyzer / Receiver and Line 2 connected to a 50 ohm load; the second scan had Line 1 connected to a 50 ohm load and Line 2 connected to the Analyzer / Receiver.
7. Analyzer / Receiver scanned from 150 KHz to 30MHz for emissions in each of the test modes.
8. During the above scans, the emissions were maximized by cable manipulation.

TEST RESULTS

SCAN TABLE: "Voltage (9K-30M) FIN"

Short Description: 150K-30M Voltage



MEASUREMENT RESULT: "CTL210603882_fin"

6/3/2021 7:45PM

| Frequency MHz | Level dBµV | Transd dB | Limit dBµV | Margin dB | Detector | Line | PE |
|---------------|------------|-----------|------------|-----------|----------|------|-----|
| 0.505500 | 24.20 | 10.1 | 56 | 31.8 | QP | - | GND |
| 1.212000 | 21.50 | 10.2 | 56 | 34.5 | QP | - | GND |
| 1.473000 | 26.70 | 10.2 | 56 | 29.3 | QP | - | GND |
| 1.599000 | 27.60 | 10.2 | 56 | 28.4 | QP | - | GND |
| 1.725000 | 26.70 | 10.2 | 56 | 29.3 | QP | - | GND |
| 1.851000 | 25.10 | 10.2 | 56 | 30.9 | QP | - | GND |

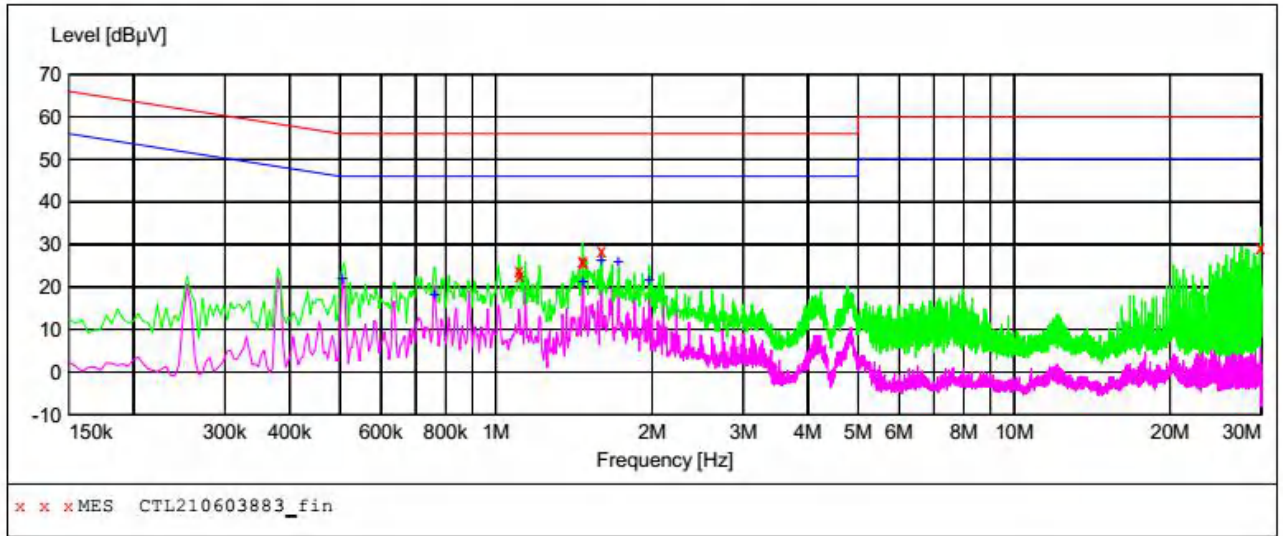
MEASUREMENT RESULT: "CTL210603882_fin2"

6/3/2021 7:45PM

| Frequency MHz | Level dBµV | Transd dB | Limit dBµV | Margin dB | Detector | Line | PE |
|---------------|------------|-----------|------------|-----------|----------|------|-----|
| 0.505500 | 23.00 | 10.1 | 46 | 23.0 | AV | - | GND |
| 1.446000 | 13.90 | 10.2 | 46 | 32.1 | AV | - | GND |
| 1.599000 | 25.80 | 10.2 | 46 | 20.2 | AV | - | GND |
| 1.725000 | 23.60 | 10.2 | 46 | 22.4 | AV | - | GND |
| 1.851000 | 20.60 | 10.2 | 46 | 25.4 | AV | - | GND |
| 1.977000 | 22.20 | 10.2 | 46 | 23.8 | AV | - | GND |

SCAN TABLE: "Voltage (9K-30M)FIN"

Short Description: 150K-30M Voltage



MEASUREMENT RESULT: "CTL210603883_fin"

6/3/2021 7:50PM

| Frequency MHz | Level dBµV | Transd dB | Limit dBµV | Margin dB | Detector | Line | PE |
|------------------|---------------|--------------|---------------|--------------|----------|------|-----|
| 1.108500 | 23.90 | 10.2 | 56 | 32.1 | QP | + | GND |
| 1.113000 | 22.90 | 10.2 | 56 | 33.1 | QP | + | GND |
| 1.468500 | 26.40 | 10.2 | 56 | 29.6 | QP | + | GND |
| 1.473000 | 25.70 | 10.2 | 56 | 30.3 | QP | + | GND |
| 1.599000 | 28.60 | 10.2 | 56 | 27.4 | QP | + | GND |
| 29.872500 | 29.40 | 11.7 | 60 | 30.6 | QP | + | GND |

MEASUREMENT RESULT: "CTL210603883_fin2"

6/3/2021 7:50PM

| Frequency MHz | Level dBµV | Transd dB | Limit dBµV | Margin dB | Detector | Line | PE |
|------------------|---------------|--------------|---------------|--------------|----------|------|-----|
| 0.505500 | 22.00 | 10.1 | 46 | 24.0 | AV | + | GND |
| 0.762000 | 18.20 | 10.1 | 46 | 27.8 | AV | + | GND |
| 1.473000 | 21.20 | 10.2 | 46 | 24.8 | AV | + | GND |
| 1.599000 | 26.10 | 10.2 | 46 | 19.9 | AV | + | GND |
| 1.725000 | 26.00 | 10.2 | 46 | 20.0 | AV | + | GND |
| 1.977000 | 21.70 | 10.2 | 46 | 24.3 | AV | + | GND |

3.2. Radiated Emissions and Band Edge

Limit

For intentional device, according to § 15.209(a), the general requirement of field strength of radiated emission out of authorized band shall not exceed the following table at a 3 meters measurement distance.

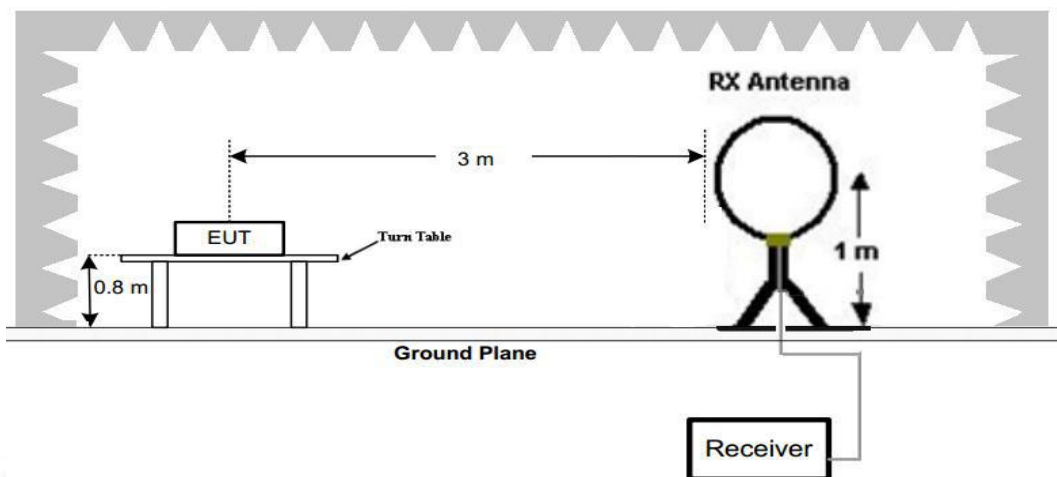
In addition, radiated emissions which fall in the restricted bands, as defined in §15.205(a), must also comply with the radiated emission limits specified in §15.209(a)

Radiated emission limits

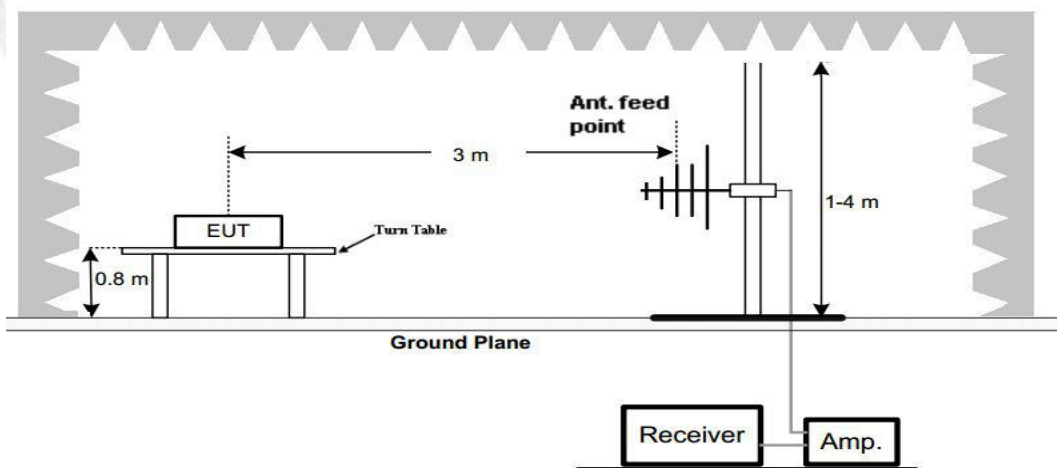
| Frequency (MHz) | Distance (Meters) | Radiated (dB μ V/m) | Radiated (μ V/m) |
|-----------------|-------------------|--|-----------------------|
| 0.009-0.49 | 3 | $20\log(2400/F(\text{KHz}))+40\log(300/3)$ | $2400/F(\text{KHz})$ |
| 0.49-1.705 | 3 | $20\log(24000/F(\text{KHz}))+40\log(30/3)$ | $24000/F(\text{KHz})$ |
| 1.705-30 | 3 | $20\log(30)+40\log(30/3)$ | 30 |
| 30-88 | 3 | 40.0 | 100 |
| 88-216 | 3 | 43.5 | 150 |
| 216-960 | 3 | 46.0 | 200 |
| Above 960 | 3 | 54.0 | 500 |

TEST CONFIGURATION

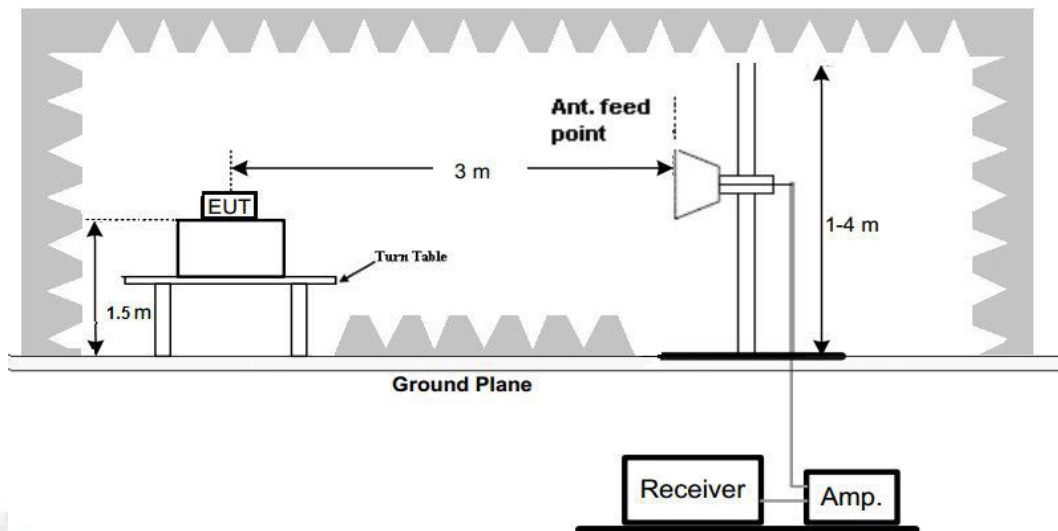
(A) Radiated Emission Test Set-Up, Frequency Below 30MHz



(B) Radiated Emission Test Set-Up, Frequency below 1000MHz



(C) Radiated Emission Test Set-Up, Frequency above 1000MHz



Test Procedure

1. Below 1GHz measurement the EUT is placed on a turntable which is 0.8m above ground plane, and above 1GHz measurement EUT was placed on a low permittivity and low loss tangent turn table which is 1.5m above ground plane.
2. Maximum procedure was performed by raising the receiving antenna from 1m to 4m and rotating the turn table from 0° to 360° to acquire the highest emissions from EUT
3. And also, each emission was to be maximized by changing the polarization of receiving antenna both horizontal and vertical.
4. Repeat above procedures until all frequency measurements have been completed.

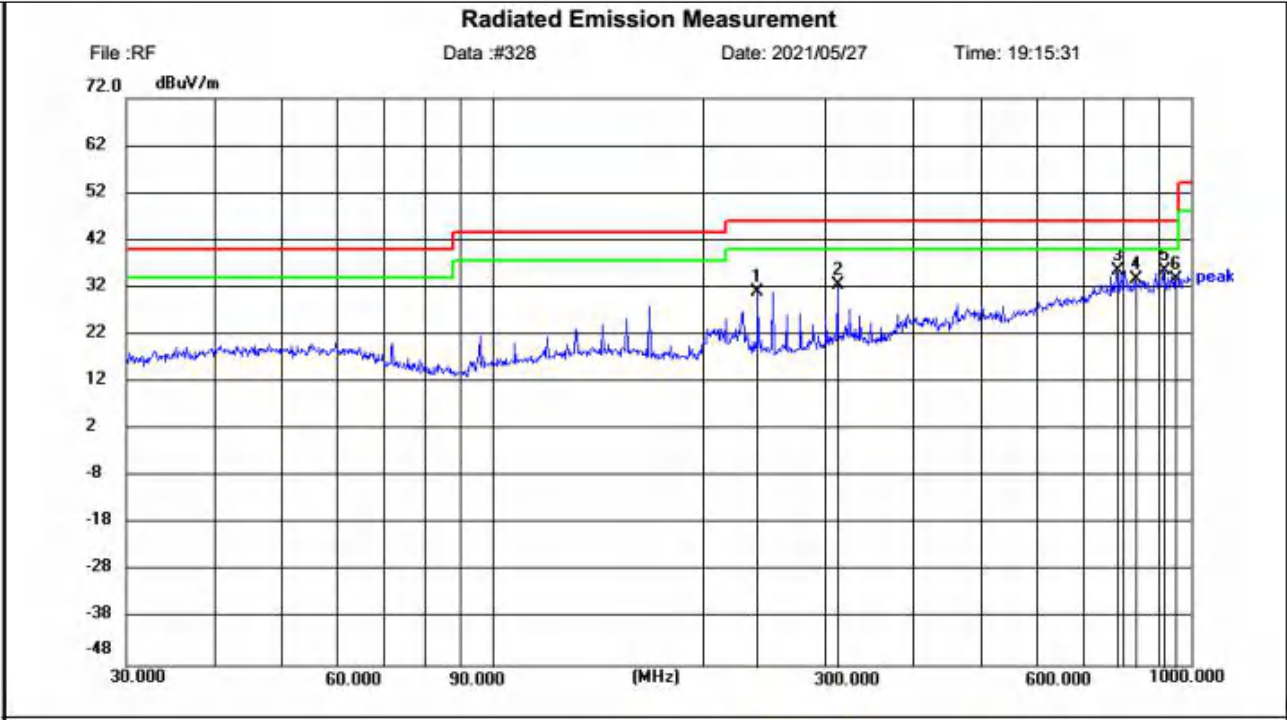
TEST RESULTS

Remark:

1. We measured Radiated Emission at GFSK, $\pi/4$ DQPSK and 8DPSK mode from 9 KHz to 25GHz and recorded worst case at GFSK DH5 mode.
2. For below 1GHz testing recorded worst at GFSK DH5 low channel.
3. Radiated emission test from 9 KHz to 10th harmonic of fundamental was verified, and no emission found except system noise floor in 9 KHz to 30MHz and not recorded in this report.

For 30MHz-1GHz

Horizontal



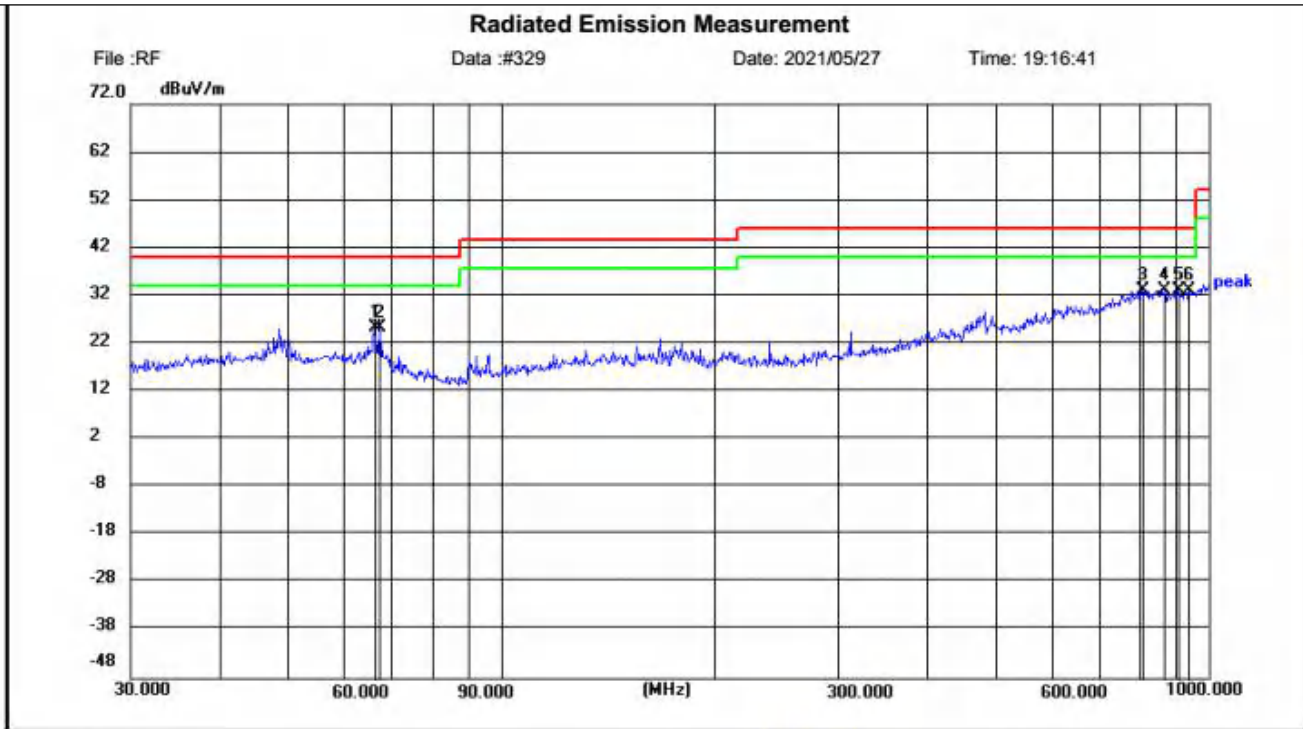
Site LAB
 Limit: FCC Part15 Class B_30-1000MHz
 EUT: /
 M/N: BT61Q
 Mode: WORKING
 Note: 捷美斯
 /

Polarization: **Horizontal**
 Power:
 Distance: 3m

Temperature: 25(C)
 Humidity: 50 %

| No. | Frequency (MHz) | Reading (dBuV) | Factor (dB/m) | Level (dBuV/m) | Limit (dBuV/m) | Margin (dB) | Detector | Height (cm) | Azimuth (deg.) | P/F | Remark |
|-----|-----------------|----------------|---------------|----------------|----------------|-------------|----------|-------------|----------------|-----|--------|
| 1 | 239.9873 | 17.44 | 13.70 | 31.14 | 46.00 | 14.86 | peak | 100 | 166 | P | |
| 2 | 312.1794 | 17.18 | 15.25 | 32.43 | 46.00 | 13.57 | peak | 100 | 144 | P | |
| 3 | 782.3453 | 10.13 | 25.49 | 35.62 | 46.00 | 10.38 | peak | 100 | 67 | P | |
| 4 | 830.4001 | 7.55 | 26.21 | 33.76 | 46.00 | 12.24 | peak | 100 | 339 | P | |
| 5 | 912.8620 | 9.13 | 26.53 | 35.66 | 46.00 | 10.34 | peak | 100 | 166 | P | |
| 6 | 948.7609 | 6.75 | 26.95 | 33.70 | 46.00 | 12.30 | peak | 100 | 173 | P | |

Vertical



Site LAB Polarization: **Vertical** Temperature: 25(C)
 Limit: FCC Part15 Class B_30-1000MHz Power: Humidity: 50 %
 EUT: / Distance: 3m
 M/N: BT61Q
 Mode: WORKING
 Note: 捷美斯
 /

| No. | Frequency (MHz) | Reading (dBuV) | Factor (dB/m) | Level (dBuV/m) | Limit (dBuV/m) | Margin (dB) | Detector | Height (cm) | Azimuth (deg.) | P/F | Remark |
|-----|-----------------|----------------|---------------|----------------|----------------|-------------|----------|-------------|----------------|-----|--------|
| 1 | 66.2662 | 11.95 | 13.35 | 25.30 | 40.00 | 14.70 | peak | 100 | 289 | P | |
| 2 | 67.4382 | 12.57 | 12.93 | 25.50 | 40.00 | 14.50 | peak | 100 | 235 | P | |
| 3 | 804.6028 | 7.14 | 25.87 | 33.01 | 46.00 | 12.99 | peak | 100 | 64 | P | |
| 4 | 866.0879 | 6.84 | 26.25 | 33.09 | 46.00 | 12.91 | peak | 100 | 86 | P | |
| 5 | 903.3094 | 6.56 | 26.45 | 33.01 | 46.00 | 12.99 | peak | 100 | 38 | P | |
| 6 | 938.8326 | 6.28 | 26.84 | 33.12 | 46.00 | 12.88 | peak | 100 | 263 | P | |

For 1GHz to 25GHz

Note: GFSK, Pi/4 DQPSK and 8DPSK all have been tested, only worse case GFSK is reported.

GFSK (above 1GHz)

| Frequency(MHz): | | | 2402 | | Polarity: | | | HORIZONTAL | |
|-----------------|-------------------------|----|----------------|-------------|------------------|-----------------------|-------------------|--------------------|--------------------------|
| Frequency (MHz) | Emission Level (dBuV/m) | | Limit (dBuV/m) | Margin (dB) | Raw Value (dBuV) | Antenna Factor (dB/m) | Cable Factor (dB) | Pre-amplifier (dB) | Correction Factor (dB/m) |
| 4804.00 | 48.23 | PK | 74.00 | 25.77 | 43.72 | 33.49 | 6.91 | 35.89 | 4.51 |
| 4804.00 | -- | AV | 54.00 | -- | -- | -- | -- | -- | -- |
| 5364.00 | 46.21 | PK | 74.00 | 27.79 | 39.35 | 34.06 | 7.04 | 34.24 | 6.86 |
| 5364.00 | -- | AV | 54.00 | -- | -- | -- | -- | -- | -- |
| 7206.00 | 44.15 | PK | 74.00 | 29.85 | 33.05 | 36.95 | 9.18 | 35.03 | 11.10 |
| 7206.00 | -- | AV | 54.00 | -- | -- | -- | -- | -- | -- |

| Frequency(MHz): | | | 2402 | | Polarity: | | | VERTICAL | |
|-----------------|-------------------------|----|----------------|-------------|------------------|-----------------------|-------------------|--------------------|--------------------------|
| Frequency (MHz) | Emission Level (dBuV/m) | | Limit (dBuV/m) | Margin (dB) | Raw Value (dBuV) | Antenna Factor (dB/m) | Cable Factor (dB) | Pre-amplifier (dB) | Correction Factor (dB/m) |
| 4804.00 | 47.16 | PK | 74.00 | 26.84 | 42.65 | 33.49 | 6.91 | 35.89 | 4.51 |
| 4804.00 | -- | AV | 54.00 | -- | -- | -- | -- | -- | -- |
| 5428.00 | 45.36 | PK | 74.00 | 28.64 | 38.5 | 34.06 | 7.04 | 34.24 | 6.86 |
| 5428.00 | -- | AV | 54.00 | -- | -- | -- | -- | -- | -- |
| 7206.00 | 44.29 | PK | 74.00 | 29.71 | 33.19 | 36.95 | 9.18 | 35.03 | 11.10 |
| 7206.00 | -- | AV | 54.00 | -- | -- | -- | -- | -- | -- |

| Frequency(MHz): | | | 2441 | | Polarity: | | | HORIZONTAL | |
|-----------------|-------------------------|----|----------------|-------------|------------------|-----------------------|-------------------|--------------------|--------------------------|
| Frequency (MHz) | Emission Level (dBuV/m) | | Limit (dBuV/m) | Margin (dB) | Raw Value (dBuV) | Antenna Factor (dB/m) | Cable Factor (dB) | Pre-amplifier (dB) | Correction Factor (dB/m) |
| 4882.00 | 47.02 | PK | 74.00 | 26.98 | 40.66 | 33.60 | 6.95 | 34.19 | 6.36 |
| 4882.00 | -- | AV | 54.00 | -- | -- | -- | -- | -- | -- |
| 5318.00 | 45.01 | PK | 74.00 | 28.99 | 37.41 | 34.56 | 7.15 | 34.11 | 7.60 |
| 5318.00 | -- | AV | 54.00 | -- | -- | -- | -- | -- | -- |
| 7323.00 | 44.32 | PK | 74.00 | 29.68 | 32.62 | 37.46 | 9.23 | 35.00 | 11.70 |
| 7323.00 | -- | AV | 54.00 | -- | -- | -- | -- | -- | -- |

| Frequency(MHz): | | | 2441 | | Polarity: | | | VERTICAL | |
|-----------------|-------------------------|----|----------------|-------------|------------------|-----------------------|-------------------|--------------------|--------------------------|
| Frequency (MHz) | Emission Level (dBuV/m) | | Limit (dBuV/m) | Margin (dB) | Raw Value (dBuV) | Antenna Factor (dB/m) | Cable Factor (dB) | Pre-amplifier (dB) | Correction Factor (dB/m) |
| 4882.00 | 48.12 | PK | 74.00 | 25.88 | 41.76 | 33.60 | 6.95 | 34.19 | 6.36 |
| 4882.00 | -- | AV | 54.00 | -- | -- | -- | -- | -- | -- |
| 5248.00 | 45.18 | PK | 74.00 | 28.82 | 37.58 | 34.56 | 7.15 | 34.11 | 7.60 |
| 5248.00 | -- | AV | 54.00 | -- | -- | -- | -- | -- | -- |
| 7323.00 | 43.24 | PK | 74.00 | 30.76 | 31.54 | 37.46 | 9.23 | 35.00 | 11.70 |
| 7323.00 | -- | AV | 54.00 | -- | -- | -- | -- | -- | -- |

| Frequency(MHz): | | | 2480 | | Polarity: | | | HORIZONTAL | |
|-----------------|-------------------------|----|----------------|-------------|------------------|-----------------------|-------------------|--------------------|--------------------------|
| Frequency (MHz) | Emission Level (dBuV/m) | | Limit (dBuV/m) | Margin (dB) | Raw Value (dBuV) | Antenna Factor (dB/m) | Cable Factor (dB) | Pre-amplifier (dB) | Correction Factor (dB/m) |
| 4960.00 | 47.26 | PK | 74.00 | 26.74 | 42.34 | 33.84 | 7.00 | 35.92 | 4.92 |
| 4960.00 | -- | AV | 54.00 | -- | -- | -- | -- | -- | -- |
| 5467.00 | 45.18 | PK | 74.00 | 28.82 | 37.9 | 34.45 | 7.12 | 34.29 | 7.28 |
| 5467.00 | -- | AV | 54.00 | -- | -- | -- | -- | -- | -- |
| 7440.00 | 43.11 | PK | 74.00 | 30.89 | 31.16 | 37.64 | 9.28 | 34.97 | 11.95 |
| 7440.00 | -- | AV | 54.00 | -- | -- | -- | -- | -- | -- |

| Frequency(MHz): | | | 2480 | | Polarity: | | | VERTICAL | |
|-----------------|-------------------------|----|----------------|-------------|------------------|-----------------------|-------------------|--------------------|--------------------------|
| Frequency (MHz) | Emission Level (dBuV/m) | | Limit (dBuV/m) | Margin (dB) | Raw Value (dBuV) | Antenna Factor (dB/m) | Cable Factor (dB) | Pre-amplifier (dB) | Correction Factor (dB/m) |
| 4960.00 | 46.52 | PK | 74.00 | 27.48 | 41.6 | 33.84 | 7.00 | 35.92 | 4.92 |
| 4960.00 | -- | AV | 54.00 | -- | -- | -- | -- | -- | -- |
| 5341.00 | 45.36 | PK | 74.00 | 28.64 | 38.08 | 34.45 | 7.12 | 34.29 | 7.28 |
| 5341.00 | -- | AV | 54.00 | -- | -- | -- | -- | -- | -- |
| 7440.00 | 44.12 | PK | 74.00 | 29.88 | 32.17 | 37.64 | 9.28 | 34.97 | 11.95 |
| 7440.00 | -- | AV | 54.00 | -- | -- | -- | -- | -- | -- |

REMARKS:

1. Emission level (dBuV/m) =Raw Value (dBuV)+Correction Factor (dB/m)
2. Correction Factor (dB/m) = Antenna Factor (dB/m)+Cable Factor (dB)-Pre-amplifier Factor
3. Margin value = Limit value- Emission level.
4. -- Mean the PK detector measured value is below average limit.
5. The other emission levels were very low against the limit.
6. RBW1MHz VBW3MHz Peak detector is for PK value; RBW 1MHz VBW10Hz Peak detector is for AV value.

Results of Band Edges Test (Radiated)

Note: All modulations have been tested, only worse case GFSK is reported.

| Frequency(MHz): | | | 2402 | | Polarity: | | | HORIZONTAL | |
|-----------------|-------------------------|----|----------------|-------------|------------------|-----------------------|-------------------|--------------------|--------------------------|
| Frequency (MHz) | Emission Level (dBuV/m) | | Limit (dBuV/m) | Margin (dB) | Raw Value (dBuV) | Antenna Factor (dB/m) | Cable Factor (dB) | Pre-amplifier (dB) | Correction Factor (dB/m) |
| 2402.00 | 93.02 | PK | -- | -- | 59.63 | 28.78 | 4.61 | 0 | 33.39 |
| 2402.00 | 85.12 | AV | -- | -- | 51.73 | 28.78 | 4.61 | 0 | 33.39 |
| 2382.00 | 46.25 | PK | 74.00 | 27.75 | 13.17 | 28.52 | 4.56 | 0 | 33.08 |
| 2382.00 | -- | AV | 54.00 | -- | -- | -- | -- | -- | -- |
| 2390.00 | 47.01 | PK | 74.00 | 26.99 | 13.69 | 28.72 | 4.60 | 0 | 33.32 |
| 2390.00 | -- | AV | 54.00 | -- | -- | -- | -- | -- | -- |
| 2400.00 | 52.22 | PK | 74.00 | 21.78 | 18.83 | 28.78 | 4.61 | 0 | 33.39 |
| 2400.00 | -- | AV | 54.00 | -- | -- | -- | -- | -- | -- |

| Frequency(MHz): | | | 2402 | | Polarity: | | | VERTICAL | |
|-----------------|-------------------------|----|----------------|-------------|------------------|-----------------------|-------------------|--------------------|--------------------------|
| Frequency (MHz) | Emission Level (dBuV/m) | | Limit (dBuV/m) | Margin (dB) | Raw Value (dBuV) | Antenna Factor (dB/m) | Cable Factor (dB) | Pre-amplifier (dB) | Correction Factor (dB/m) |
| 2402.00 | 91.02 | PK | -- | -- | 57.63 | 28.78 | 4.61 | 0 | 33.39 |
| 2402.00 | 85.14 | AV | -- | -- | 51.75 | 28.78 | 4.61 | 0 | 33.39 |
| 2378.00 | 44.15 | PK | 74.00 | 29.85 | 11.07 | 28.52 | 4.56 | 0 | 33.08 |
| 2378.00 | -- | AV | 54.00 | -- | -- | -- | -- | -- | -- |
| 2390.00 | 46.23 | PK | 74.00 | 27.77 | 12.91 | 28.72 | 4.60 | 0 | 33.32 |
| 2390.00 | -- | AV | 54.00 | -- | -- | -- | -- | -- | -- |
| 2400.00 | 47.53 | PK | 74.00 | 26.47 | 14.14 | 28.78 | 4.61 | 0 | 33.39 |
| 2400.00 | -- | AV | 54.00 | -- | -- | -- | -- | -- | -- |

| Frequency(MHz): | | | 2480 | | Polarity: | | | HORIZONTAL | |
|-----------------|-------------------------|----|----------------|-------------|------------------|-----------------------|-------------------|--------------------|--------------------------|
| Frequency (MHz) | Emission Level (dBuV/m) | | Limit (dBuV/m) | Margin (dB) | Raw Value (dBuV) | Antenna Factor (dB/m) | Cable Factor (dB) | Pre-amplifier (dB) | Correction Factor (dB/m) |
| 2480.00 | 91.21 | PK | -- | -- | 57.59 | 28.92 | 4.70 | 0.00 | 33.62 |
| 2480.00 | 84.02 | AV | -- | -- | 50.4 | 28.92 | 4.70 | 0.00 | 33.62 |
| 2483.50 | 45.16 | PK | 74.00 | 28.84 | 11.53 | 28.93 | 4.70 | 0.00 | 33.63 |
| 2483.50 | -- | AV | 54.00 | -- | -- | -- | -- | -- | -- |
| 2496.00 | 44.32 | PK | 74.00 | 29.68 | 10.66 | 28.95 | 4.71 | 0.00 | 33.66 |
| 2496.00 | -- | AV | 54.00 | -- | -- | -- | -- | -- | -- |
| 2500.00 | 43.26 | PK | 74.00 | 30.74 | 9.58 | 28.96 | 4.72 | 0.00 | 33.68 |
| 2500.00 | -- | AV | 54.00 | -- | -- | -- | -- | -- | -- |

| Frequency(MHz): | | | 2480 | | Polarity: | | | VERTICAL | |
|-----------------|-------------------------|----|----------------|-------------|------------------|-----------------------|-------------------|--------------------|--------------------------|
| Frequency (MHz) | Emission Level (dBuV/m) | | Limit (dBuV/m) | Margin (dB) | Raw Value (dBuV) | Antenna Factor (dB/m) | Cable Factor (dB) | Pre-amplifier (dB) | Correction Factor (dB/m) |
| 2480.00 | 93.01 | PK | -- | -- | 59.39 | 28.92 | 4.70 | 0.00 | 33.62 |
| 2480.00 | 85.15 | AV | -- | -- | 51.53 | 28.92 | 4.70 | 0.00 | 33.62 |
| 2483.50 | 47.23 | PK | 74.00 | 26.77 | 13.6 | 28.93 | 4.70 | 0.00 | 33.63 |
| 2483.50 | -- | AV | 54.00 | -- | -- | -- | -- | -- | -- |
| 2488.00 | 45.25 | PK | 74.00 | 28.75 | 11.59 | 28.95 | 4.71 | 0.00 | 33.66 |
| 2488.00 | -- | AV | 54.00 | -- | -- | -- | -- | -- | -- |
| 2500.00 | 44.62 | PK | 74.00 | 29.38 | 10.94 | 28.96 | 4.72 | 0.00 | 33.68 |
| 2500.00 | -- | AV | 54.00 | -- | -- | -- | -- | -- | -- |

REMARKS:

1. Emission level (dBuV/m) =Raw Value (dBuV)+Correction Factor (dB/m)
2. Correction Factor (dB/m) = Antenna Factor (dB/m)+Cable Factor (dB)-Pre-amplifier Factor
3. Margin value = Limit value- Emission level.
4. -- Mean the PK detector measured value is below average limit.
5. The other emission levels were very low against the limit.
6. RBW1MHz VBW3MHz Peak detector is for PK value; RBW 1MHz VBW10Hz Peak detector is for AV value.
7. For fundamental frequency, RBW 3MHz VBW 3MHz Peak detector is for PK Value; RMS detector is for AV value.

3.3. Maximum Peak Output Power

Limit

For frequency hopping systems operating in the 2400-2483.5 MHz band employing at least 75 non-overlapping hopping channels: 1 watt.

For all other frequency hopping systems in the 2400-2483.5 MHz band: 0.125 watts.

Test Procedure

Remove the antenna from the EUT and then connect a low loss RF cable from the antenna port to the spectrum.

Test Configuration



Test Results

Raw data reference to Section 2 from Appendix01.

3.4. 20dB Bandwidth

Limit

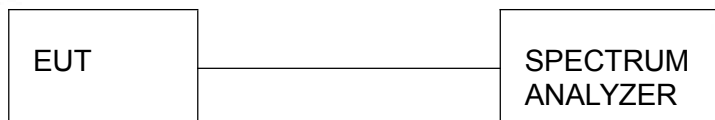
For frequency hopping systems operating in the 2400MHz-2483.5MHz no limit for 20dB bandwidth.

Test Procedure

The transmitter output was connected to the spectrum analyzer through an attenuator. The bandwidth of the fundamental frequency was measured by spectrum analyzer with 30 KHz RBW and 100 KHz VBW.

The 20dB bandwidth is defined as the total spectrum the power of which is higher than peak power minus 20dB.

Test Configuration



Test Results

Raw data reference to Section 1 from Appendix01.

3.5. Frequency Separation

LIMIT

According to 15.247(a)(1), frequency hopping systems shall have hopping channel carrier frequencies separated by minimum of 25KHz or the $2/3 * 20\text{dB}$ bandwidth of the hopping channel, whichever is greater.

TEST PROCEDURE

The transmitter output was connected to the spectrum analyzer through an attenuator. The bandwidth of the fundamental frequency was measured by spectrum analyzer with 100 KHz RBW and 300 KHz VBW.

TEST CONFIGURATION



TEST RESULTS

Raw data reference to Section 3 from Appendix01.

3.6. Number of hopping frequency

Limit

Frequency hopping systems in the 2400–2483.5 MHz band shall use at least 15 channels.

Test Procedure

The transmitter output was connected to the spectrum analyzer through an attenuator. Set spectrum analyzer start 2400MHz to 2483.5MHz with 100 KHz RBW and 300 KHz VBW.

Test Configuration



Test Results

Raw data reference to Section 4 from Appendix01.

3.7. Time of Occupancy (Dwell Time)

Limit

The average time of occupancy on any channel shall not be greater than 0.4 seconds within a period of 0.4 seconds multiplied by the number of hopping channels employed.

Test Procedure

The transmitter output was connected to the spectrum analyzer through an attenuator. Set center frequency of spectrum analyzer=operating frequency with 1MHz RBW and 1MHz VBW, Span 0Hz.

Test Configuration



Test Results

Raw data reference to Section 5 from Appendix01.

Note:

1. We have tested all mode at high,middle and low channel,and recoreded worst case at middle channel.
2. Dwell time=Pulse time (ms) × (Num of Pulse in Observation Period) for DH1, 2DH1, 3DH1
Dwell time=Pulse time (ms) × ((Num of Pulse in Observation Period) for DH3, 2DH3, 3DH3
Dwell time=Pulse time (ms) × ((Num of Pulse in Observation Period) for DH5, 2DH5, 3DH5

3.8. Out-of-band Emissions

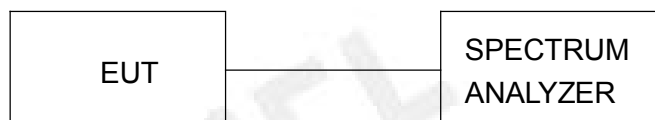
Limit

In any 100 kHz bandwidth outside the frequency band in which the spread spectrum or digitally modulated intentional radiator is operating, the radio frequency power that is produced by the intentional radiator shall be at least 20 dB below that in the 100 kHz bandwidth within the band that contains the highest level of the desired power, based on either an RF conducted or a radiated measurement, provided the transmitter demonstrates compliance with the peak conducted power limits. If the transmitter complies with the conducted power limits based on the use of RMS averaging over a time interval, as permitted under paragraph (b)(3) of this section, the attenuation required under this paragraph shall be 30 dB instead of 20 dB. Attenuation below the general limits specified in §15.209(a) is not required.

Test Procedure

Connect the transmitter output to spectrum analyzer using a low loss RF cable, and set the spectrum analyzer to RBW=100 kHz, VBW= 300 kHz, peak detector , and max hold. Measurements utilizing these setting are made of the in-band reference level, bandedge and out-of-band emissions.

Test Configuration



Test Results

Raw data reference to Section 6 from Appendix01.

3.9. Pseudorandom Frequency Hopping Sequence

TEST APPLICABLE

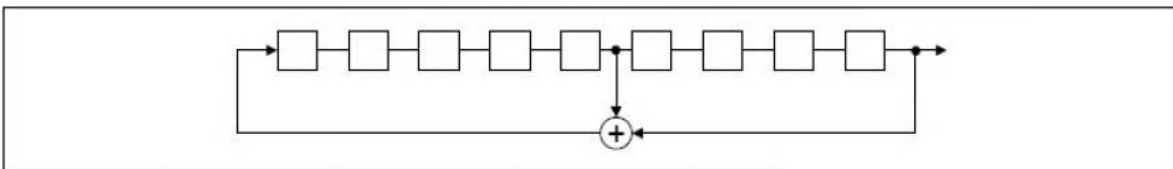
For 47 CFR Part 15C section 15.247 (a) (1) requirement:

Frequency hopping systems shall have hopping channel carrier frequencies separated by a minimum of 25 kHz or the 20 dB bandwidth of the hop-ping channel, whichever is greater. Alternatively, frequency hopping systems operating in the 2400–2483.5 MHz band may have hopping channel carrier frequencies that are separated by 25 kHz or two-thirds of the 20 dB bandwidth of the hopping channel, whichever is greater, provided the systems operate with an output power no greater than 125 mW. The system shall hop to channel frequencies that are selected at the system hopping rate from a pseudo randomly ordered list of hopping frequencies. Each frequency must be used equally on the average by each transmitter. The system receivers shall have input bandwidths that match the hop-ping channel bandwidths of their corresponding transmitters and shall shift frequencies in synchronization with the transmitted signals.

EUT Pseudorandom Frequency Hopping Sequence Requirement

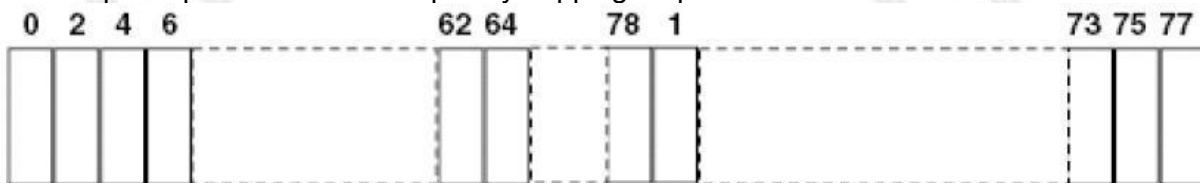
The pseudorandom frequency hopping sequence may be generated in a nine-stage shift register whose 5th and 9th stage outputs are added in a modulo-two addition stage. And the result is fed back to the input of the first stage. The sequence begins with the first one of 9 consecutive ones, for example: the shift register is initialized with nine ones.

- Number of shift register stages:9
- Length of pseudo-random sequence:29-1=511 bits
- Longest sequence of zeros:8(non-inverted signal)



Linear Feedback Shift Register for Generation of the PRBS sequence

An example of pseudorandom frequency hopping sequence as follows:



Each frequency used equally one the average by each transmitter.

The system receiver have input bandwidths that match the hopping channel bandwidths of their corresponding transmitter and shift frequencies in synchronization with the transmitted signals.

3.10. Antenna Requirement

Standard Applicable

For intentional device, according to FCC 47 CFR Section 15.203, an intentional radiator shall be designed to ensure that no antenna other than that furnished by the responsible party shall be used with the device.

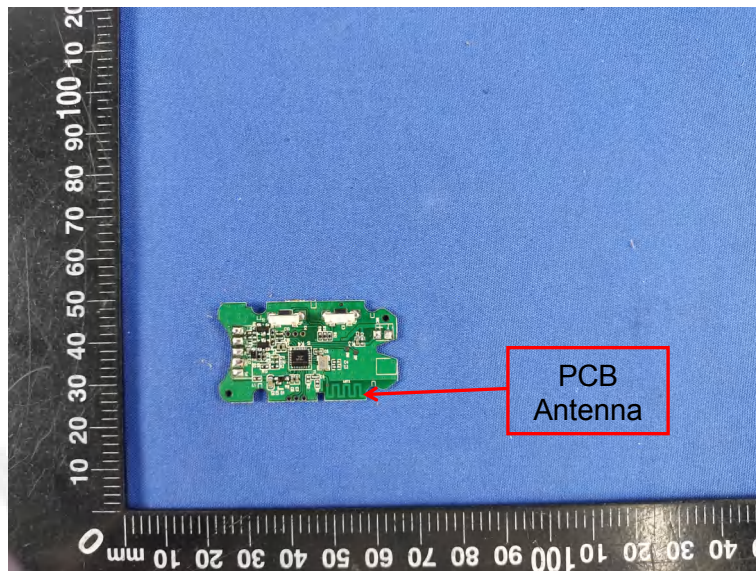
And according to FCC 47 CFR Section 15.247 (c), if transmitting antennas of directional gain greater than 6dBi are used, the power shall be reduced by the amount in dB that the directional gain of the antenna exceeds 6dBi.

Refer to statement below for compliance

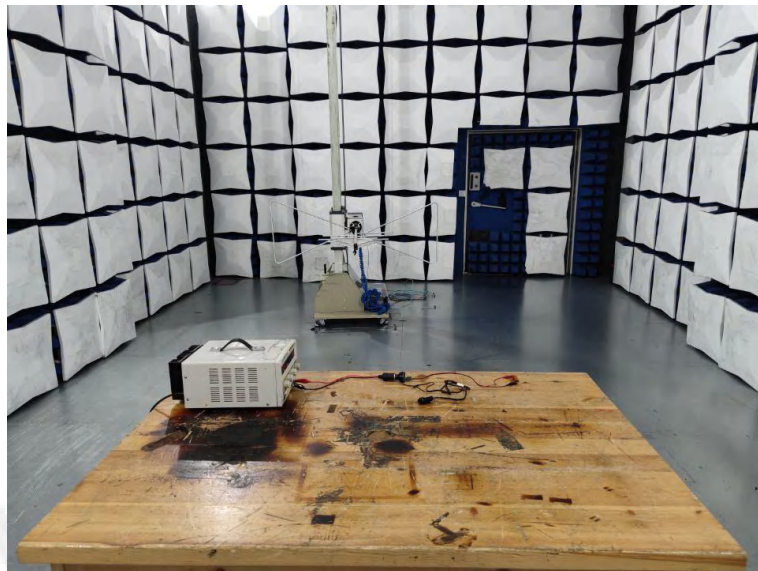
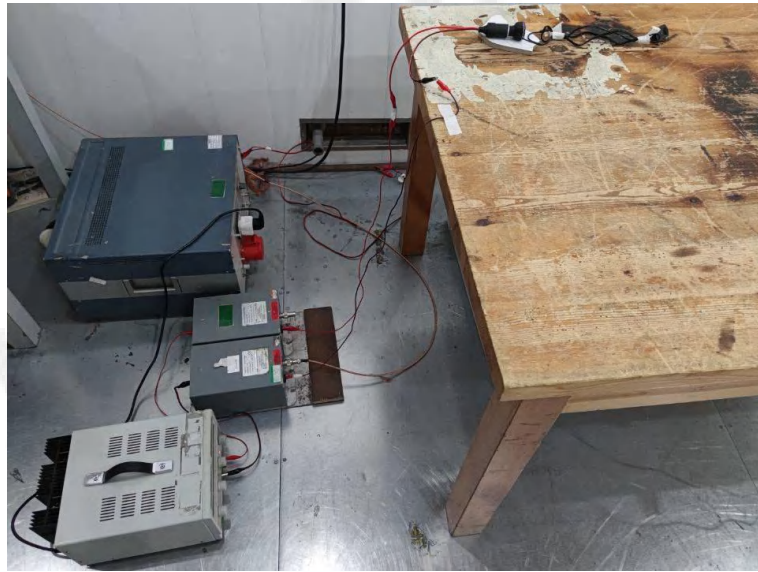
The manufacturer may design the unit so that the user can replace a broken antenna, but the use of a standard antenna jack or electrical connector is prohibited. Further, this requirement does not apply to intentional radiators that must be professionally installed.

Antenna Connected Construction

The maximum gain of antenna was -0.68 dBi.



4. Test Setup Photos of the EUT



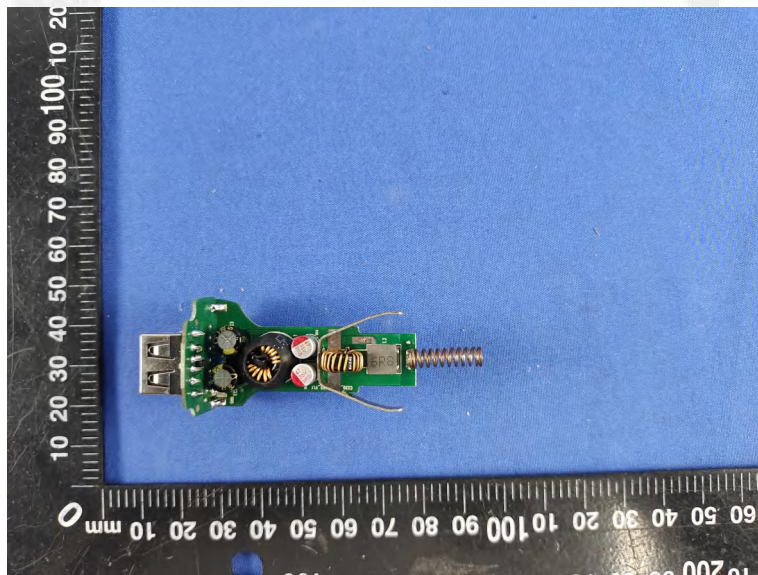
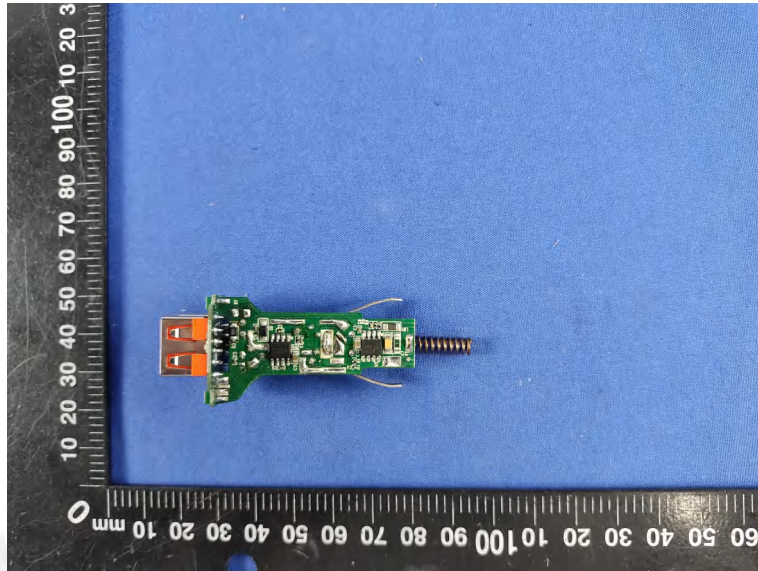
5. Photos of the EUT

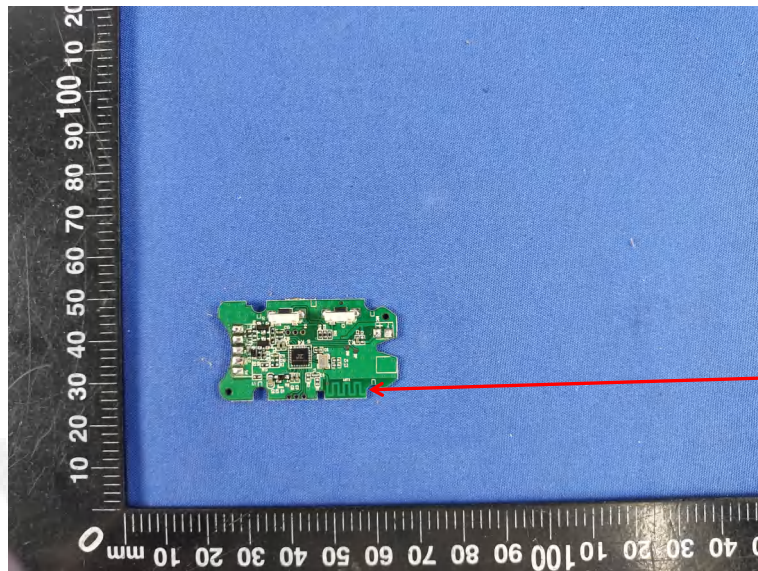
External Photos of EUT



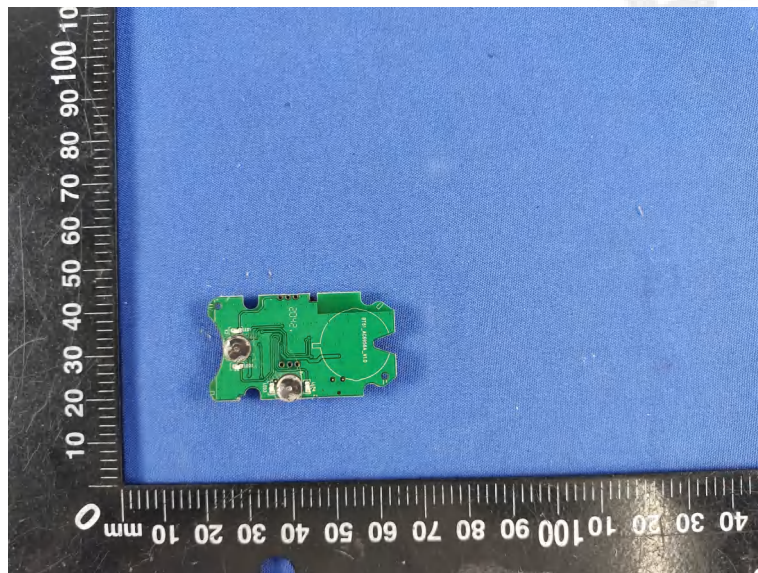


Internal Photos of EUT





BT
Antenna



***** End of Report *****