
Bluetooth Audio Receiver and Car Charger Combo Kit

BT09

User Guide



Introduction:

Thanks for choosing our Bluetooth receiver. This device allows you to hear the phone music and call not just from car radio, but also from home speaker. Because of its special structure. Once two parts hooked up and plugged to any USB charging port, its charging will start automatically. Fully charged 2 hours, it will provides up to 7 hours of music playing time or 5.5 hours of talking time. To have a better experience, please read this instruction carefully.

Packing Contents:

- Bluetooth receiver
- User Guide

Features:

1. Wireless audio streaming for home speakers or car stereo system
2. Provides up to 7 hours of music playing time or 5.5 hours of talking time
3. Dual Battery Charging Solutions with two Touch Spots and Micro USB port
4. Bluetooth Technology V4.2
5. Built-in 300mAh battery
6. Built-in LED light for working status indication
7. Dual USB output ports with 5V/4.8A(total)
8. Full-charge time about 2 hours
9. Audio receiver head can work as an independent accessory
10. Protection for over circuit / voltage, over heat, short circuit

Specifications:

Bluetooth Version: V4.2

Bluetooth Frequency range: 2.4-2.48GHz

Bluetooth Distance: about 8M (open area)

Battery Capacity: 300mAh 3.7V

Charging time: about 2 hours

Talking time: about 5.5 hours

Music playing time: about 7 hours

Standby time: auto pow-off 10 minutes after disconnected

Size: 34.4*34.4*99 mm

Microphone: ϕ 4.0*1.5mm

Audio Jack: 3.5mm aux male jack

Product weight: 54.5g

Material: aluminum alloy + ABS housing

Compatibility:

This device can be paired as a hands-free kit with any compatible Bluetooth enabled devices. Each time can only connected with one Bluetooth device.

Precautions:

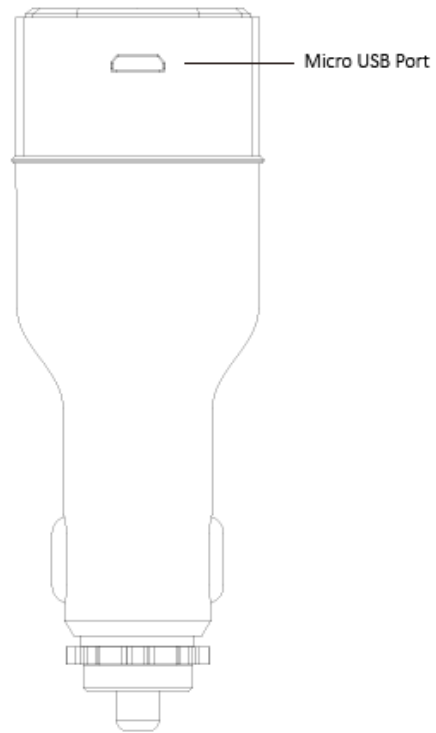
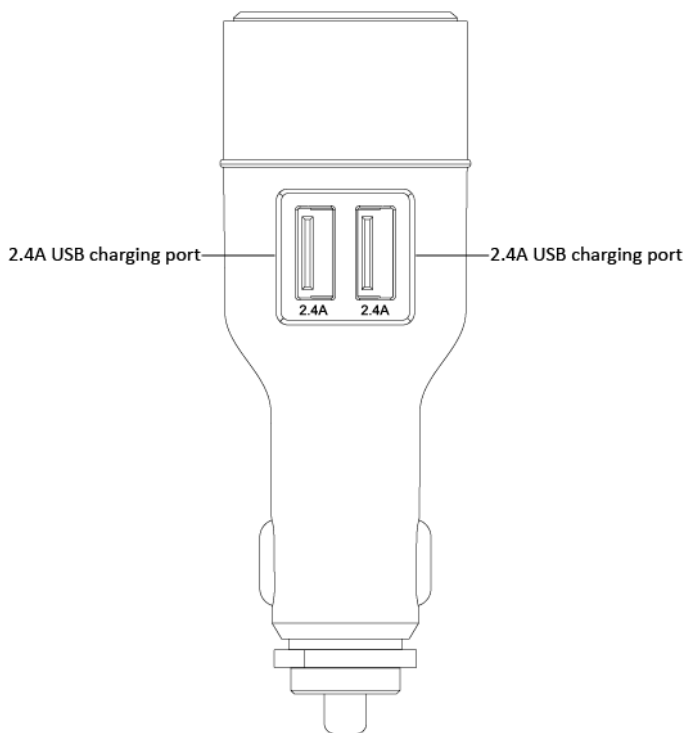
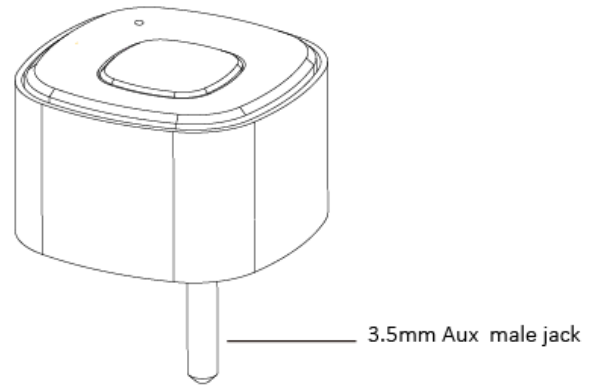
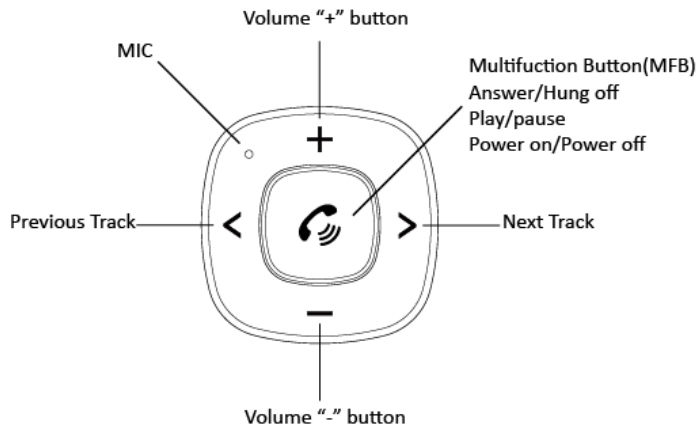
Please read all safety instruction warnings carefully before using this product. Improper use of this product may result in damage to this or attached products. To ensure the products work well, please never use this in the following conditions:

1. Moist or underwater conditions.
2. Conditions near heater or high-temperature service.
3. Conditions with direct and strong sunshine,

4. Conditions with apt falling

5. Never dismantle the product without due permission, otherwise it may nullify the warranty clause.

Appearance:



Operation Instructions

Using the music playing function:

1. Plug the Bluetooth receiver 3.5mm male jack into your vehicle's FM radio or home speaker auxiliary port.
2. Long press and hold on the MFB for 3 seconds, the LED light begins to flash and prompt with "Power on"
3. Turn on your Bluetooth enabled devices and search new device named "**BT32XIS**", then pair with this unit.
4. Turn on your music then you can enjoy the crystal audio sounds.
5. Press MFB once to Play/Pause if you need it.

Using the hands-free function:

1. Press MFB once to Answer/Hang off the phone call when there is incoming call.
2. Press MFB and hold 2 seconds to reject the phone call.
3. Press MFB twice to redial the last phone call.
4. Press MFB and hold 2 seconds during conversation so as to hear the call with the BT09 or the Phone.

Charging the Bluetooth Receiver

1. When the battery power is low, the relative prompt will appear and its status will also display on your phone.
2. It starts the charging when two parts hooked, plug the USB adapter to charging port, and it will be fully charged within 2 hours.

! Cautious: This device can't work while charging.

Quick Guide:

Power on	Press MFB and hold for 3 seconds until flashing and prompting you with "Power on"
Power off	Press MFB and hold for 3 seconds until prompt "Power off"
Play/Pause music	Press MFB once during music playing
Answer call	Press MFB once when there is incoming call
End call	Press MFB once during call
Redial call	Press MFB twice while standby
Reject call	Press MFB and hold for 2 seconds when there is incoming call
Adjust the volume	Press and hold "+" button: increase volume Press and hold "-" button: decrease volume
Choose music	Press "<" button: Play the previous song Press ">" button: Play the next song
Switch phone calls between BT09 and Phone	Press MFB and hold for 2 seconds during conversation

NOTE: This equipment has been tested and found to comply with the limits for a Class B digital device, pursuant to part 15 of the FCC Rules. These limits are designed to provide reasonable protection against harmful interference in a residential installation. This equipment generates uses and can radiate radio frequency energy and, if not installed and used in accordance with the instructions, may cause harmful interference to radio communications. However, there is no guarantee that interference will not occur in a particular installation. If this equipment does cause harmful interference to radio or television reception, which can be determined by turning the equipment off and on, the user is encouraged to try to correct the interference by one or more of the following measures:

- Reorient or relocate the receiving antenna.
- Increase the separation between the equipment and receiver.

-Connect the equipment into an outlet on a circuit different from that to which the receiver is connected.

-Consult the dealer or an experienced radio/TV technician for help

Changes or modifications not expressly approved by the party responsible for compliance could void the user's authority to operate the equipment.

This device complies with Part 15 of the FCC Rules. Operation is subject to the following two conditions:

(1) this device may not cause harmful interference, and

(2) this device must accept any interference received, including interference that may cause undesired operation.