



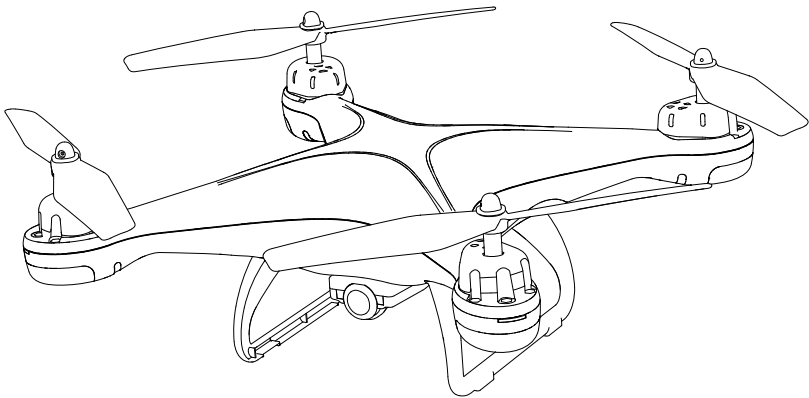
14+  
age

# Instructions For Use


日本語マニュアル

Gebrauchsanweisung

V4.0



HS110G

 +1(855) 888-6699

 [www.holystone.com](http://www.holystone.com)

 [usa@holystone.com](mailto:usa@holystone.com) (USA)  
[ca@holystone.com](mailto:ca@holystone.com) (CA)

[eu@holystone.com](mailto:eu@holystone.com) (EU)  
[jp@holystone.com](mailto:jp@holystone.com) (JP)

● English ..... 01-34 ●

● 日本語 ..... 35-63 ●

● Deutsch ..... 64-95 ●

# Contents

1.0 Disclaimer & Warning .....	01
2.0 Safety Guidelines .....	01
3.0 Maintenance .....	05
4.0 Package Contents .....	06
5.0 Drone Details .....	07
6.0 Transmitter Details .....	08
7.0 Joystick Mode .....	09
8.0 Installation	
8.1 Propellers .....	10
8.2 Landing Gear .....	11
8.3 Camera .....	11
9.0 Charging .....	12
10.0 Using the Application	
10.1 Download APP .....	13
10.2 Connect to Wi-Fi .....	13
11.0 Operation Guide	
11.1 Pairing .....	14
11.2 Calibrating the Compass .....	15
11.3 Calibrating the Gyro .....	16
11.4 GPS Searching .....	17
11.5 Unlock the Motor .....	18
11.6 One Key Takeoff/Landing .....	18
12.0 Functions Details	
12.1 APP Functions .....	19
12.2 Beginner's Mode .....	21
12.3 Speed Switch .....	22
12.4 Emergency Stop .....	22
12.5 Trimmer Function .....	23
12.6 Headless Mode .....	24
12.7 Return to Home .....	25
13.0 Specifications .....	26
14.0 Trouble Shooting .....	28
15.0 Contact Us .....	28
16.0 General Information .....	29

## **1.0 DISCLAIMER & WARNING**

1. Please read this Disclaimer & Warning and Safety Guidelines carefully before using our product. This product is not recommended for people under the age of 14. By using this product, you hereby agree to this disclaimer and signify that you have read it fully. You agree that you are responsible for your own conduct and any damage caused while using this product, and any consequence. You agree to only use this product for its designed purposes and in accordance with the local laws, regulations and all applicable policies and guidelines that HolyStone may provide.

2. When using this product, please be sure to strictly abide by the specification requirements and safety guidelines stated in this document. Any personal injury, property damage, legal disputes and all other adverse events caused by the violation of any of the safety instructions or due to any other factor, WILL NOT be HolyStone's responsibility.

## **2.0 SAFETY GUIDELINES**

### **2.1 Check Before Use**

① This product is a high precision drone that integrates various electronic stability and control mechanisms. Please be sure to configure this drone carefully and correctly to ensure safe, accident-free operation.

② Ensure that the batteries of the drone and transmitter are clean, undamaged, and fully charged before every use.

③ Ensure that all the propellers are undamaged and are installed in the correct orientation.

④ Please perform a thorough check of the product before each use. Inspect the integrity of the parts, any signs of cracks and wear off on the propellers, battery power and effectiveness of the indicator, etc. If there is any problem found after checking the drone, please refrain from using it until the problem is resolved.

## 2.2 Flight Environment



**Fly in Open Areas**

**Maintain Line  
of Sight**

**Fly Below  
390 feet (120 m)**



Avoid flying over or near obstacles, crowds, high voltage power lines, trees, airports or bodies of water.

DO NOT fly near strong electromagnetic sources such as power lines and base stations as it may affect the onboard compass.



DO NOT use this drone in adverse weather conditions such as rain, snow, fog, and wind.

## 2.3 Operation Requirements

- ① DO NOT use this product to follow any moving vehicles.
- ② During the flight, turn off the motors only in case of an emergency.
- ③ When the battery runs low, return the drone back to your starting point.
- ④ DO NOT use this product if you feel tired, take medicine or feel unwell and drink alcohol.
- ⑤ Be aware of the volume of noise that the drone produces. Please ensure to keep your distance to avoid ear damage.



⑥ **Stay away from the rotating propellers and motors.**

⑦ **DO NOT fly in any spaces where drones are prohibited. Please respect people's right to privacy by not flying your drone close to others.**

## 2.4 Use of Battery

- ① Please ensure batteries are fitted in the correct orientation as shown in the instruction manual.
- ② Avoid short circuits by fitting the batteries correctly, and do not crush or squeeze the batteries as this could cause the risk of a fire or explosion.
- ③ DO NOT mix new and old batteries as this can lead to poor performance of the product.
- ④ Please dispose of used batteries carefully, do not litter, and recycle where ever possible.
- ⑤ DO NOT expose dead batteries to heat or fire or they may explode.

- ⑥ If the device is not going to be used for an extended period of time, please remove batteries to prevent potential damage to the drone from battery leakage.
- ⑦ Only use the USB charging cable that comes with the drone to charge the battery.
- ⑧ DO NOT connect the battery directly to wall outlets or car cigarette-lighter sockets as this will damage your battery since they have different voltage.
- ⑨ DO NOT attempt to disassemble or modify the battery in any way.
- ⑩ DO NOT use the battery if it gives off an odor, generates heat, becomes discolored, deformed or appears abnormal in any way. If any of these situations occur while the battery is in use or being charged, remove it from the device or charger immediately and discontinue use.
- ⑪ DO NOT pierce the battery casing with a nail or any other sharp object, break it open with a hammer, or step on it! Dispose or recycle this battery as it may cause personal injury or damage to your drone.
- ⑫ Always charge the batteries on a fireproof surface and away from combustible materials. DO NOT charge on surfaces that can catch fire, which includes wood, cloth, carpet.
- ⑬ DO NOT immerse the battery in water or get it wet.
- ⑭ DO NOT solder battery terminal in any way.
- ⑮ Keep batteries out of reach of children or pets.
- ⑯ DO NOT short-circuit the battery by connecting wires or any other metal object to the positive (+) and negative (-) terminals.



### Li-Po Battery Disposal & Recycling

Waste Lithium-polymer batteries must not be placed with household trash. Please contact local environmental or waste agency or the waste agency or the supplier of your model or your nearest Li-Po battery recycling center.

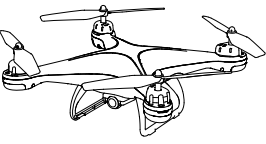
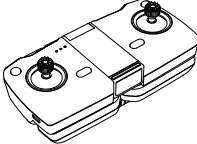
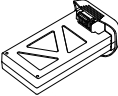
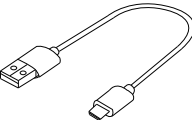
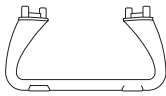
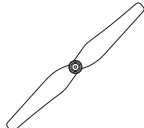
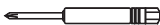



## 3.0 MAINTENANCE

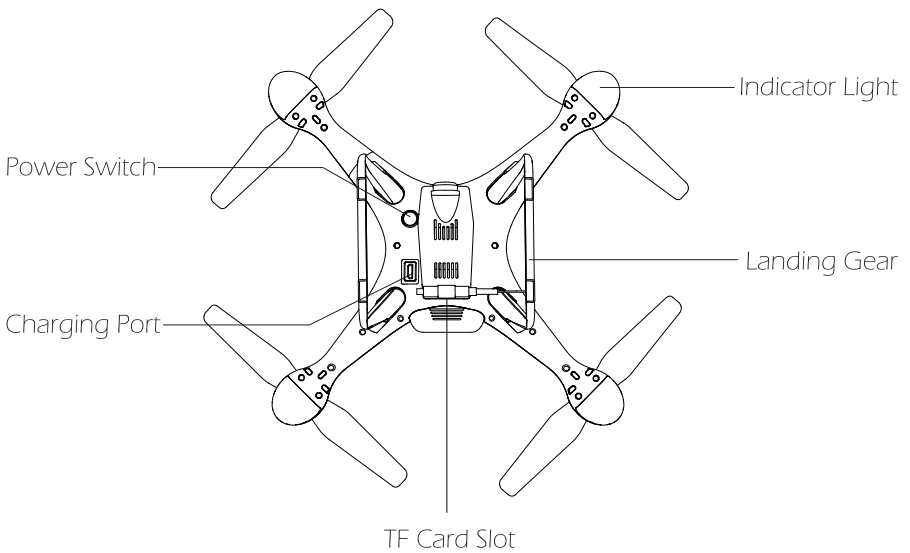
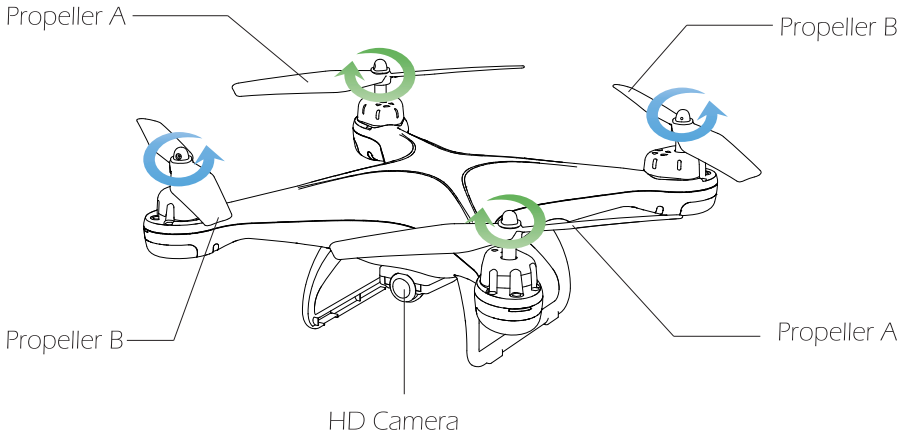
- ① Clean the drone after each use with a clean, soft cloth.
- ② Avoid prolonged exposure to direct sunlight and avoid buildup of heat on the drone or batteries.
- ③ This device is not waterproof and must not be submerged or subjected to water under any circumstance. Failure to keep the device completely dry will result in the failure and permanent damage to the unit. Be aware that although it might be dry where you are, droplets of rain or mist from a river or waterfall could damage your drone where it is flying.
- ④ Frequently check the charging plug and other accessories for signs of damage. If any part of the device or cables are damaged, avoid use or charging until the damaged parts is replaced.



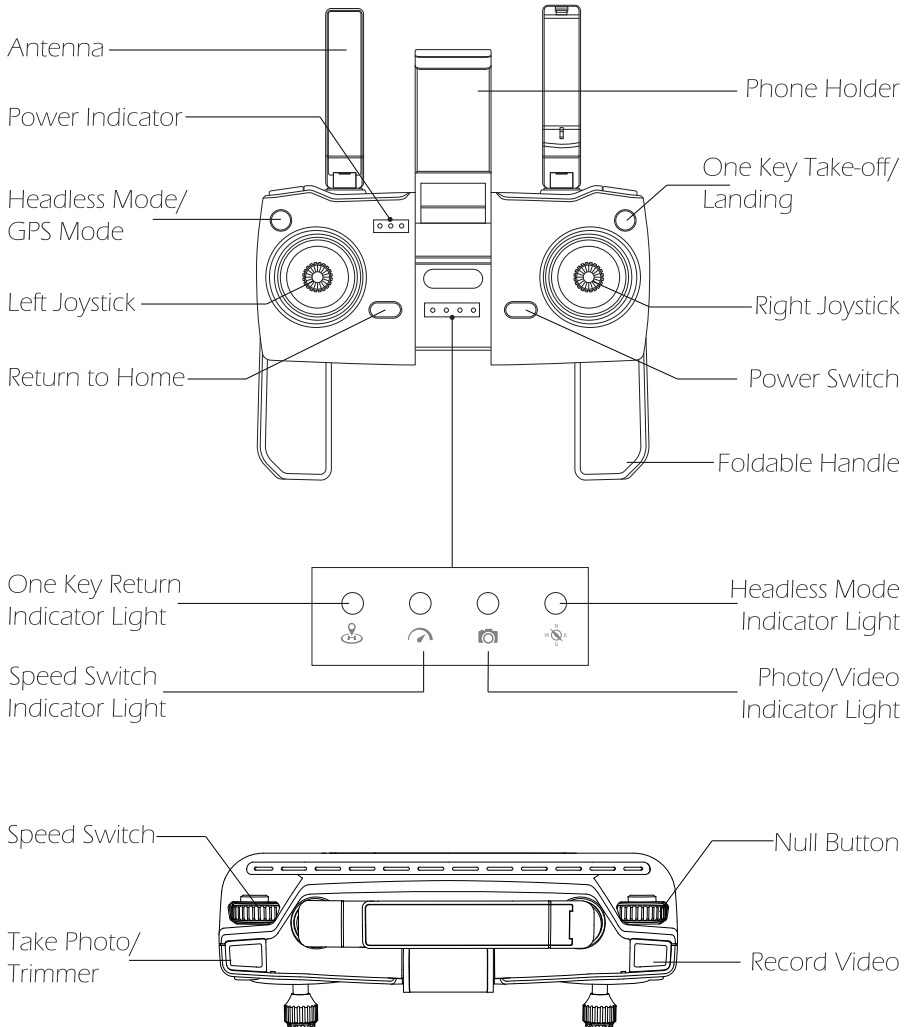
## 4.0 PACKAGE CONTENTS

 <p style="text-align: right;">× 1</p>	 <p style="text-align: right;">× 1</p>	 <p style="text-align: right;">× 1</p>
<p style="text-align: center;">Drone</p>	<p style="text-align: center;">Transmitter</p>	<p style="text-align: center;">Drone Battery</p>
 <p style="text-align: right;">× 1</p>	 <p style="text-align: right;">× 2</p>	 <p style="text-align: right;">× 4</p>
<p style="text-align: center;">USB Charging Cable</p>	<p style="text-align: center;">Landing Gear</p>	<p style="text-align: center;">Spare Propellers</p>
 <p style="text-align: right;">× 1</p>	 <p style="text-align: right;">× 1</p>	
<p style="text-align: center;">Screwdriver</p>	<p style="text-align: center;">Instructions For Use</p>	


## 5.0 DRONE DETAILS



## 6.0 TRANSMITTER DETAILS

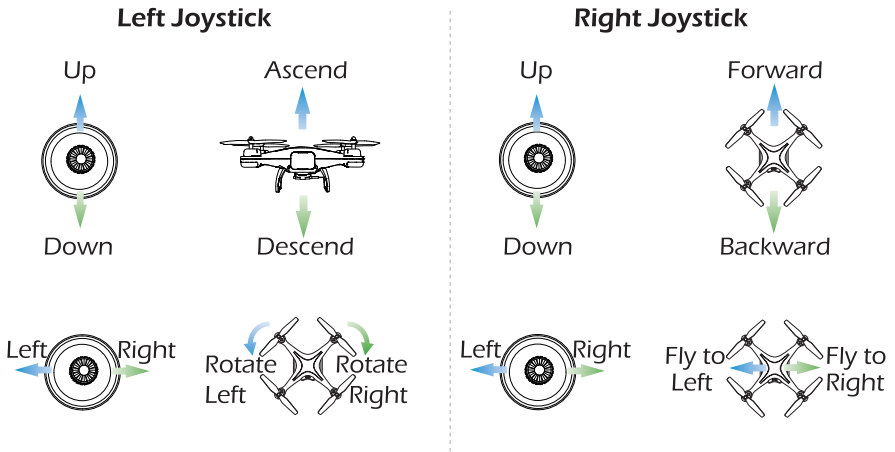


### Tip:

Turning Off: Press the Power Button (  ) once, then press again and hold for 2 seconds to turn off.

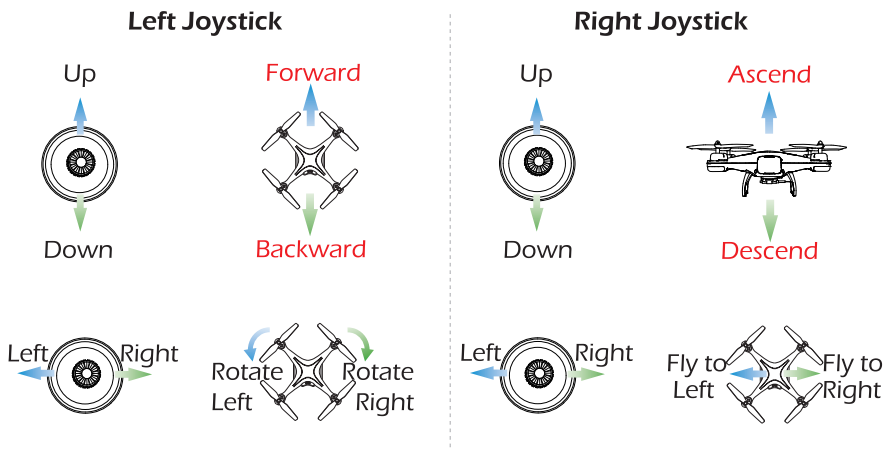
## 7.0 JOYSTICK MODE

### ► 7.1 MODE 2 (Left hand throttle MODE 2 will be default setting.)



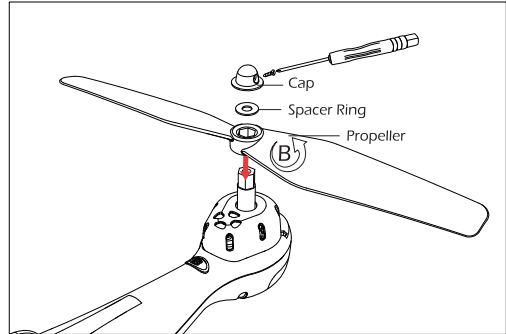
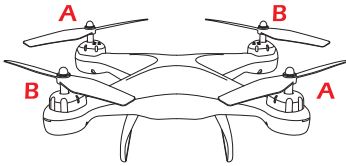
### ► 7.2 MODE 1

To enter MODE 1, turn on the transmitter while holding the “Take Photo /Trimmer” button. (Please do not release the “Take Photo/Trimmer” button until the transmitter is powered on.)



## 8.0 INSTALLATION

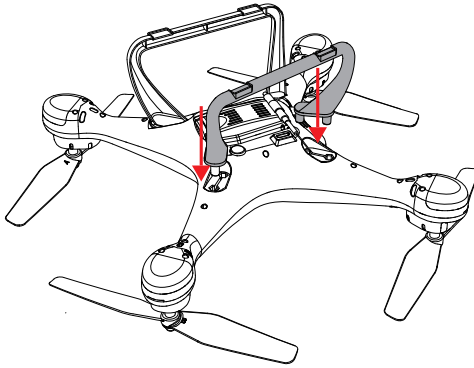
### ► 8.1 Propellers



Please note that the letter “A” or “B” is printed on each propeller. Make sure all the propellers are attached in the correct motor position.

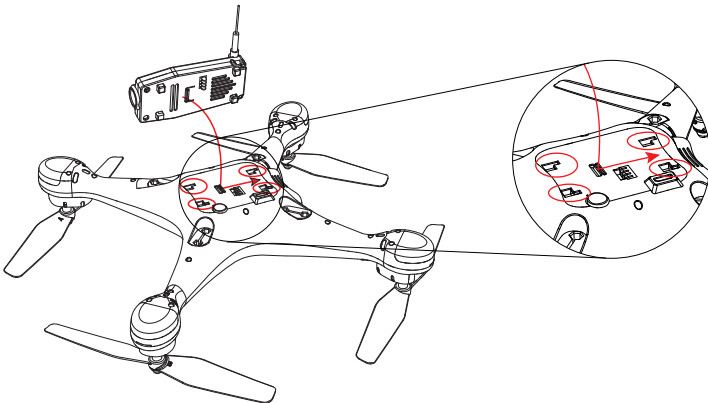
Install the propeller, spacer ring, propeller cap and screw to the motor shaft to fix.

## ► 8.2 Landing Gear



As shown in the figure above, please install the Landing Gear on the bottom of the drone.

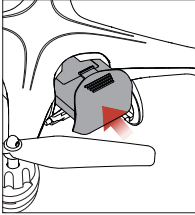
## ► 8.3 Camera



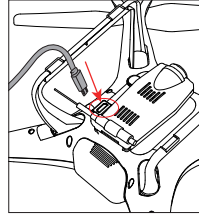
- 1) According to the above diagrams, please make sure that the camera is mounted on the four camera slots at the bottom of the fuselage, then pull the camera backward to lock it.
- 2) Push the camera forward to take it out.

## 9.0 CHARGING

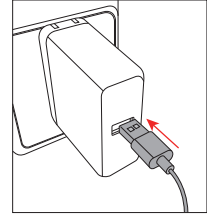
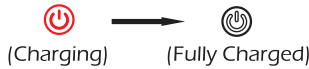
### ► 9.1 Drone Battery



Push the battery into the battery compartment.



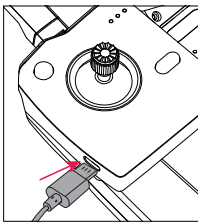
Charging time: 180 minutes  
(Depending on charging power)



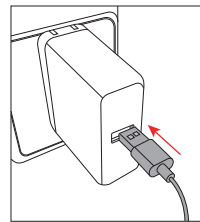
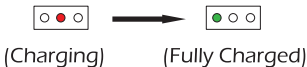
Phone adapter:  
5V ⚡ 1A/2A  
(Not included)

Connect the USB charging cable to the charging port of the drone, then, connect the USB charging cable to a computer or a USB adapter.

### ► 9.2 Transmitter Battery



Charging time of the transmitter: about 60 minutes



Phone adapter:  
5V ⚡ 1A/2A  
(Not included)

Connect the USB charging cable with the transmitter, then, connect the USB charging cable to a computer or a USB adapter.



- When the transmitter is in low power, the “Power Indicator” on the transmitter will blink constantly.
- Before charging, please read the instruction of the **“Use of Battery”** section of the **“Safety Guidelines”** carefully!

## 10.0 USING THE APPLICATION

### ► 10.1 Download APP



iOS

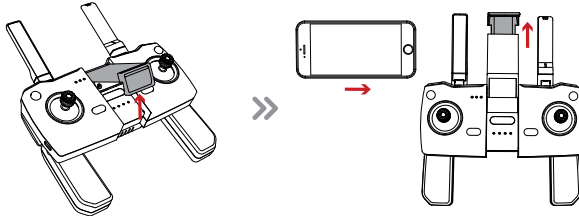


Android APP on Google play

Scan the QR code, connect to the App Store™ or Google™ Play and download the “**HS GPS V1**” application for free.

Required Operating Systems: iOS 7.0 or later/Android 4.4 or later.

### ► 10.2 Connect to Wi-Fi



- ① As shown above, pull up the phone holder and lock the phone.
  - ② Connect your phone to the Wi-Fi network created by the drone. To check the drone's status in the **HS GPS V1** app.
  - ③ Open your phone's Wi-Fi settings and click Wi-Fi to search for the Wi-Fi of the drone.
  - ④ Select the Wi-Fi network: **HolyStoneFPV\_\*\*\*\*\***.
  - ⑤ Wait for a couple of seconds for your phone to connect to the drone's Wi-Fi. **This connection is generally represented by the Wi-Fi logo appearing on your phone's screen.**
  - ⑥ Open the **HS GPS V1** application.
- > The connection between your phone and the drone is established automatically.

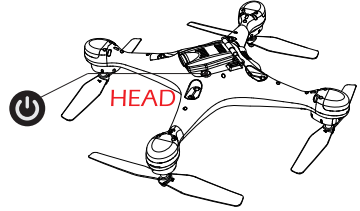


## 11.0 OPERATION GUIDE

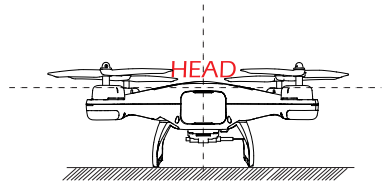
All of the operations shown in this manual are demonstrated using **MODE 2**.

### ► 11.1 Pairing

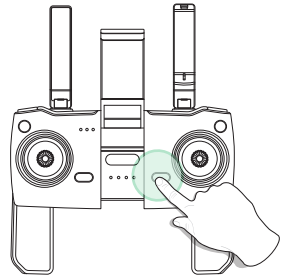
① Insert the battery into the drone, and then press the Power Switch to turn on the drone.



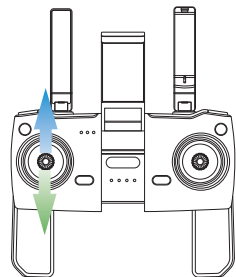
② Place the drone on a flat and level surface with the head forward and the tail towards the pilot.



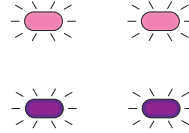
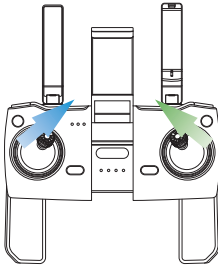
③ Press the  button to turn on the transmitter.



④ Push the left joystick up then down to pair the drone with the transmitter. Two beeps will be heard from the transmitter, and the LED indicator lights on the drone is white in front and blue in back if the drone is paired successfully.

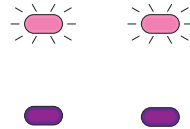
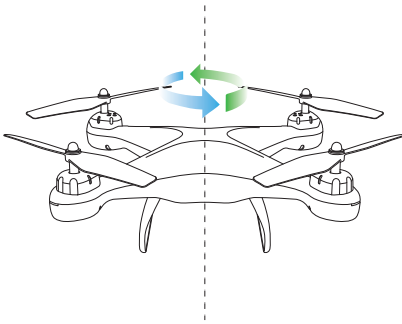


## ► 11.2 Calibrating the Compass



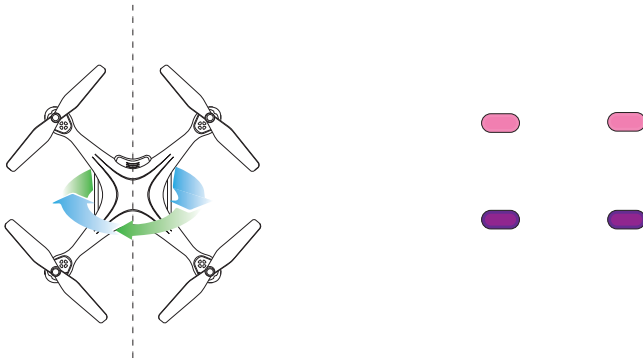
### Step 1:

Simultaneously push the left joystick to top right corner and the right joystick to the top left corner. The front Pink lights and the rear Purple lights will turn to flash quickly.



### Step 2:

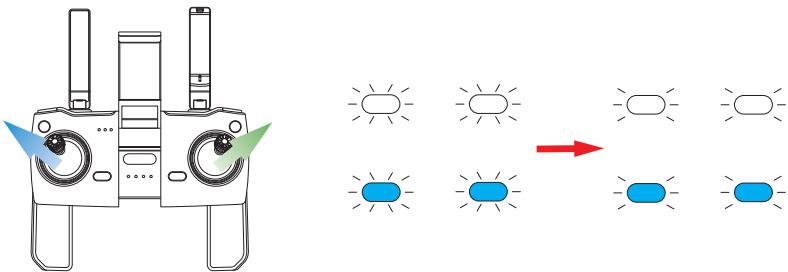
Hold the drone horizontally and rotate it until the rear lights turn solid Purple.



### Step 3:

Hold the drone vertically and rotate it until the front Pink lights turn solid.

## ► 11.3 Calibrating the Gyro



Simultaneously push the left joystick to top left corner and the right joystick to the top right corner. When the drone's front white indicator light and rear blue indicator light change from quick flash to slow flash, the gyroscope calibration is completed.

**Tip:** To ensure a stable flight, we suggest that the pilot calibrates the gyro every time after pairing the drone and after a crash.