

TEST REPORT

Product Name : quadcopter
HS175D, HS175, HS175E, HS175G, HS800, HS820, HS830, HS850, HS710, HS730, HS740, HS750, HS760, HS770, HS600, HS610, HS620, HS630, HS660, HS670, HS690, HS500, HS520, HS530, HS560, HS570, HS400, HS410, HS420, HS430, HS440, HS450, HS300, HS320, HS360, HS380,

Model Number : **HS390, HS250, HS260, HS280, HS290, HS130, HS176, HS115, HS125, HS135, HS155, HS225, HT01, HT02, HT03, HT04, HT05, HT06, HT07, HT08, HS900, HS920, HS930, D11, D15, D22, D25, D33, D35, D55, D23, D40, D60, D65, DE23, DE28, DE29, HT15, HT20, HT25, HT30, HT35, HT50, HT45, HT55, HT60, HT65**

FCC ID : **2AJ55HOLYSTONE5T**

Prepared for : Xiamen Huoshiquan Import & Export CO., LTD
Address : Room 703, No. 813-2 Xiahe Road, Siming District, XIAMEN, China

Prepared by : EMTEK (SHENZHEN) CO., LTD.
Address : Building 69, Majialong Industry Zone, Nanshan District, Shenzhen, Guangdong, China

Tel: (0755) 26954280
Fax: (0755) 26954282

Report Number : ES210329073W
Date(s) of Tests : Apr. 1, 2021 to Apr. 28, 2021
Date of issue : Apr. 28, 2021

Table of Contents

1 TEST RESULT CERTIFICATION	3
2 EUT TECHNICAL DESCRIPTION	5
3 SUMMARY OF TEST RESULT	6
4 TEST METHODOLOGY	7
4.1 GENERAL DESCRIPTION OF APPLIED STANDARDS.....	7
4.2 MEASUREMENT EQUIPMENT USED	7
4.3 DESCRIPTION OF TEST MODES.....	8
5 FACILITIES AND ACCREDITATIONS	9
5.1 FACILITIES.....	9
5.2 LABORATORY ACCREDITATIONS AND LISTINGS	9
6 TEST SYSTEM UNCERTAINTY	10
7 SETUP OF EQUIPMENT UNDER TEST	11
7.1 RADIO FREQUENCY TEST SETUP 1.....	11
7.2 RADIO FREQUENCY TEST SETUP 2.....	11
7.3 CONDUCTED EMISSION TEST SETUP.....	13
7.4 SUPPORT EQUIPMENT.....	13
8 TEST REQUIREMENTS	14
8.1 BANDWIDTH TEST	14
8.2 RADIATED SPURIOUS EMISSION	19
8.3 CONDUCTED EMISSIONS TEST	31
8.4 ANTENNA APPLICATION.....	34

1 TEST RESULT CERTIFICATION

Applicant : Xiamen Huoshiquan Import & Export CO., LTD

Address : Room 703, No. 813-2 Xiahe Road, Siming District, XIAMEN, China

Manufacturer : Xiamen Huoshiquan Import & Export CO., LTD

Address : Room 703, No. 813-2 Xiahe Road, Siming District, XIAMEN, China

EUT : quadcopter

Model Name : HS175D, HS175, HS175E, HS175G, HS800, HS820, HS830, HS850, HS710, HS730, HS740, HS750, HS760, HS770, HS600, HS610, HS620, HS630, HS660, HS670, HS690, HS500, HS520, HS530, HS560, HS570, HS400, HS410, HS420, HS430, HS440, HS450, HS300, HS320, HS360, HS380, HS390, HS250, HS260, HS280, HS290, HS130, HS176, HS115, HS125, HS135, HS155, HS225, HT01, HT02, HT03, HT04, HT05, HT06, HT07, HT08, HS900, HS920, HS930, D11, D15, D22, D25, D33, D35, D55, D23, D40, D60, D65, DE23, DE28, DE29, HT15, HT20, HT25, HT30, HT35, HT50, HT45, HT55, HT60, HT65 (Note: All models only different for model name and the color of appearance, the others are the same.)

Trademark : Holy Stone

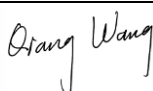
Measurement Procedure Used:


APPLICABLE STANDARDS	
STANDARD	TEST RESULT
FCC 47 CFR Part 2, Subpart J FCC 47 CFR Part 15, Subpart C	PASS


The above equipment was tested by EMTEK(SHENZHEN) CO., LTD. The test data, data evaluation, test procedures, and equipment configurations shown in this report were made in accordance with the procedures given in ANSI C63.10 (2013) and the energy emitted by the sample EUT tested as described in this report is in compliance with the requirements of FCC Rules Part 2 and Part 15.249

The test results of this report relate only to the tested sample identified in this report.

Date of Test : Apr. 1, 2021 to Apr. 28, 2021

Prepared by : 
Qiang Wang/Editor

Reviewer : 
Sewen Guo/Supervisor

Approve & Authorized Signer : 
Lisa Wang/Manager

Modified History

Version	Report No.	Revision Date	Summary
Ver.1.0	ES210329073W	/	Original Report

2 EUT TECHNICAL DESCRIPTION

Product:	quadcopter
Model Number:	HS175D, HS175, HS175E, HS175G, HS800, HS820, HS830, HS850, HS710, HS730, HS740, HS750, HS760, HS770, HS600, HS610, HS620, HS630, HS660, HS670, HS690, HS500, HS520, HS530, HS560, HS570, HS400, HS410, HS420, HS430, HS440, HS450, HS300, HS320, HS360, HS380, HS390, HS250, HS260, HS280, HS290, HS130, HS176, HS115, HS125, HS135, HS155, HS225, HT01, HT02, HT03, HT04, HT05, HT06, HT07, HT08, HS900, HS920, HS930, D11, D15, D22, D25, D33, D35, D55, D23, D40, D60, D65, DE23, DE28, DE29, HT15, HT20, HT25, HT30, HT35, HT50, HT45, HT55, HT60, HT65 (Note: All models only different for model name and the color of appearance, the others are the same. We choose HS175D as the final test prototype.)
Power Supply:	DC 3.7V from battery
Test Voltage:	DC 3.7V
Modulation:	GFSK
Frequency Range:	2408-2478MHz
Number of Channels:	71 Channels
Max Transmit Power:	PK: 100.86 dBuV/m AV: 70.21 dBuV/m
Antenna system:	SISO (During normal operation, only one antenna is active and the other is inactive and it depending on which antenna has the stronger signal the system will switch automatically)
Antenna:	Internal antenna
Antenna Gain:	ANT1: 1 dBi ANT2: 1 dBi
Temperature Range:	0°C ~ 40°C

Note: for more details, please refer to the user's manual of the EUT.

3 SUMMARY OF TEST RESULT

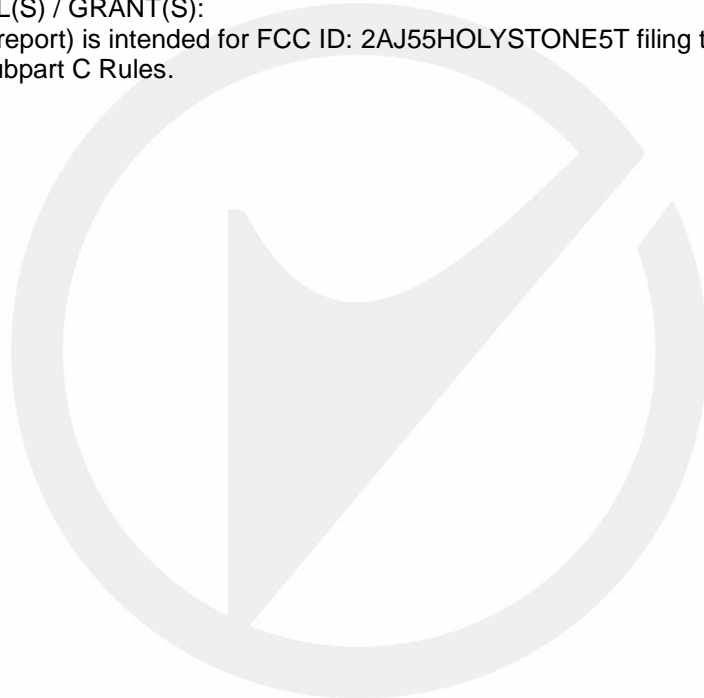
FCC Part Clause	Test Parameter	Verdict	Remark
15.207	Conducted Emission	N/A	
15.209	Radiated Emission	PASS	
15.249	Radiated Spurious Emission	PASS	
15.249	Band edge test	PASS	
15.249	20dB Bandwidth	PASS	
15.203	Antenna Requirement	PASS	

NOTE1: N/A is an abbreviation for not applicable, since the test sample is only battery 2×1.5V AA power supply.

NOTE2: The report use radiated measurements in the restricted frequency bands. In addition, the radiated test is also performed to ensure the emissions emanating from the device cabinet also comply with the applicable limits.

RELATED SUBMITTAL(S) / GRANT(S):

This submittal(s) (test report) is intended for FCC ID: 2AJ55HOLYSTONE5T filing to comply with Section 15.249 of the FCC Part 15, Subpart C Rules.



4 TEST METHODOLOGY

4.1 GENERAL DESCRIPTION OF APPLIED STANDARDS

According to its specifications, the EUT must comply with the requirements of the following standards:
 FCC 47 CFR Part 2, Subpart J
 FCC 47 CFR Part 15, Subpart C

4.2 MEASUREMENT EQUIPMENT USED

4.2.1 Radiated Emission Test Equipment

EQUIPMENT TYPE	MFR	MODEL NUMBER	SERIAL NUMBER	LAST CAL.	DUE CAL.
EMI Test Receiver	Rohde & Schwarz	ESU	1302.6005.26	May 17, 2020	May 16, 2021
Pre-Amplifier	HP	8447F	2944A07999	May 17, 2020	May 16, 2021
Bilog Antenna	Schwarzbeck	VULB9163	142	May 17, 2020	May 16, 2021
Loop Antenna	ARA	PLA-1030/B	1029	May 17, 2020	May 16, 2021
Horn Antenna	Schwarzbeck	BBHA 9170	BBHA9170399	May 17, 2020	May 16, 2021
Horn Antenna	Schwarzbeck	BBHA 9120	D143	May 17, 2020	May 16, 2021
Cable	Schwarzbeck	AK9513	ACRX1	May 17, 2020	May 16, 2021
Cable	Rosenberger	N/A	FP2RX2	May 17, 2020	May 16, 2021
Cable	Schwarzbeck	AK9513	CRPX1	May 17, 2020	May 16, 2021
Cable	Schwarzbeck	AK9513	CRRX2	May 17, 2020	May 16, 2021
Spectrum Analyzer	Rohde & Schwarz	FSV40	100967	May 17, 2020	May 16, 2021
Horn antenna	Schwarzbeck	BBHA9170	9170-399	May 17, 2020	May 16, 2021
Pre-Amplifie	Lunar EM	LNA1G18-48	J1011131010001	May 17, 2020	May 16, 2021

4.2.2 Radio Frequency Test Equipment

EQUIPMENT TYPE	MFR	MODEL NUMBER	SERIAL NUMBER	LASTCAL.	DUE CAL.
Spectrum Analyzer	Agilent	E4407B	88156318	May 17, 2020	May 16, 2021
EMI Test Receiver	Rohde & Schwarz	ESCI	101045	May 17, 2020	May 16, 2021
Signal Analyzer	Agilent	N9010A	My53470879	May 17, 2020	May 16, 2021
Power meter	Anritsu	ML2495A	0824006	May 17, 2020	May 16, 2021
Power sensor	Anritsu	MA2411B	0738172	May 17, 2020	May 16, 2021

Remark: Each piece of equipment is scheduled for calibration once a year.

4.3 DESCRIPTION OF TEST MODES

The EUT has been tested under its typical operating condition.

The EUT configuration for testing is installed on RF field strength measurement to meet the Commissions requirement and operating in a manner which intends to maximize its emission characteristics in a continuous normal application.

The Transmitter was operated in the normal operating mode. The TX frequency was fixed which was for the purpose of the measurements.

Test of channel included the lowest and middle and highest frequency to perform the test, then record on this report.

The EUT has been tested under its typical operating condition so those modulation and channel were used for all test.

Pre-defined engineering program for regulatory testing used to control the EUT for staying in continuous transmitting and receiving mode is programmed.

Frequency and Channel list:

Channel	Frequency (MHz)	Channel	Frequency (MHz)	Channel	Frequency (MHz)
1	2408	25	2432	49	2456
2	2409	26	2433	50	2457
3	2410	27	2434	51	2458
4	2411	28	2435	52	2459
5	2412	29	2436	53	2460
6	2413	30	2437	54	2461
7	2414	31	2438	55	2462
8	2415	32	2439	56	2463
9	2416	33	2440	57	2464
10	2417	34	2441	58	2465
11	2418	35	2442	59	2466
12	2419	36	2443	60	2467
13	2420	37	2444	61	2468
14	2421	38	2445	62	2469
15	2422	39	2446	63	2470
16	2423	40	2447	64	2471
17	2424	41	2448	65	2472
18	2425	42	2449	66	2473
19	2426	43	2450	67	2474
20	2427	44	2451	68	2475
21	2428	45	2452	69	2476
22	2429	46	2453	70	2477
23	2430	47	2454	71	2478
24	2431	48	2455		

Test Frequency and Channel list:

Lowest Frequency		Middle Frequency		Highest Frequency	
Channel	Frequency (MHz)	Channel	Frequency (MHz)	Channel	Frequency (MHz)
1	2408	35	2442	71	2478

5 FACILITIES AND ACCREDITATIONS

5.1 FACILITIES

All measurement facilities used to collect the measurement data are located at

Building 69, Majialong Industry Zone District, Nanshan District, Shenzhen, China

The sites are constructed in conformance with the requirements of ANSI C63.7, ANSI C63.10 and CISPR Publication 22.

5.2 LABORATORY ACCREDITATIONS AND LISTINGS

Site Description

EMC Lab.

: **Accredited by CNAS**

The Certificate Registration Number is L2291.

The Laboratory has been assessed and proved to be in compliance with CNAS-CL01 (identical to ISO/IEC 17025:2017)

Accredited by FCC

Designation Number: CN1204

Test Firm Registration Number: 882943

Accredited by A2LA

The Certificate Number is 4321.01.

Accredited by Industry Canada

The Conformity Assessment Body Identifier is CN0008

Name of Firm

: EMTEK (SHENZHEN) CO., LTD.

Site Location

: Building 69, Majialong Industry Zone, Nanshan District, Shenzhen, Guangdong, China

6 TEST SYSTEM UNCERTAINTY

The following measurement uncertainty levels have been estimated for tests performed on the apparatus:

Parameter	Uncertainty
Radio Frequency	$\pm 1 \times 10^{-5}$
Maximum Peak Output Power Test	$\pm 1.0\text{dB}$
Conducted Emissions Test	$\pm 2.0\text{dB}$
Radiated Emission Test	$\pm 2.0\text{dB}$
Occupied Bandwidth Test	$\pm 1.0\text{dB}$
Band Edge Test	$\pm 3\text{dB}$
All emission, radiated	$\pm 3\text{dB}$
Antenna Port Emission	$\pm 3\text{dB}$
Temperature	$\pm 0.5^\circ\text{C}$
Humidity	$\pm 3\%$

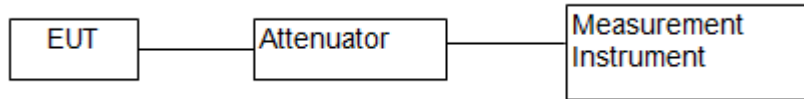
Measurement Uncertainty for a level of Confidence of 95%



7 SETUP OF EQUIPMENT UNDER TEST

7.1 RADIO FREQUENCY TEST SETUP 1

The EUT wireless component's antenna ports(s) of the EUT are connected to the measurement instrument per an appropriate attenuator. The EUT is controlled by PC/software to emit the specified signals for the purpose of measurements.



7.2 RADIO FREQUENCY TEST SETUP 2

The test site semi-anechoic chamber has met the requirement of NSA tolerance 4 dB according to the standards: ANSI C63.10. The test distance is 3m. The setup is according to the requirements in Section 13.1.4.1 of ANSI C63.10-2013 and CAN/CSA-CEI/IEC CISPR 22.

Below 30MHz:

The EUT is placed on a turntable 0.8 meters above the ground in the chamber, 3 meter away from the antenna (loop antenna). The Antenna should be positioned with its plane vertical at the specified distance from the EUT and rotated about its vertical axis for maximum response at each azimuth about the EUT. The center of the loop shall be 1 m above the ground. For certain applications, the loop antenna plane may also need to be positioned horizontally at the specified distance from the EUT.

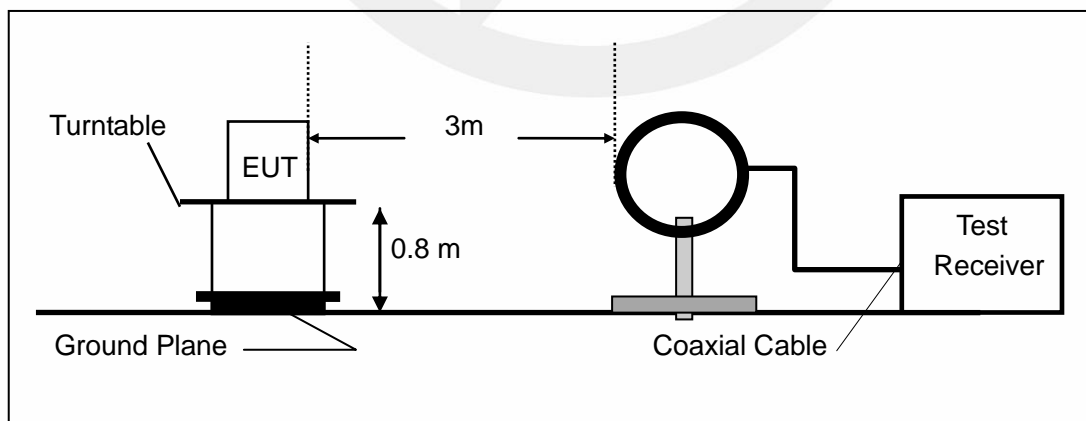
30MHz-1GHz:

The EUT is placed on a turntable 0.8 meters above the ground in the chamber, 3 meter away from the antenna. The maximal emission value is acquired by adjusting the antenna height, polarisation and turntable azimuth. Normally, the height range of antenna is 1 m to 4 m, the azimuth range of turntable is 0° to 360°, and the receive antenna has two polarizations Vertical (V) and Horizontal (H).

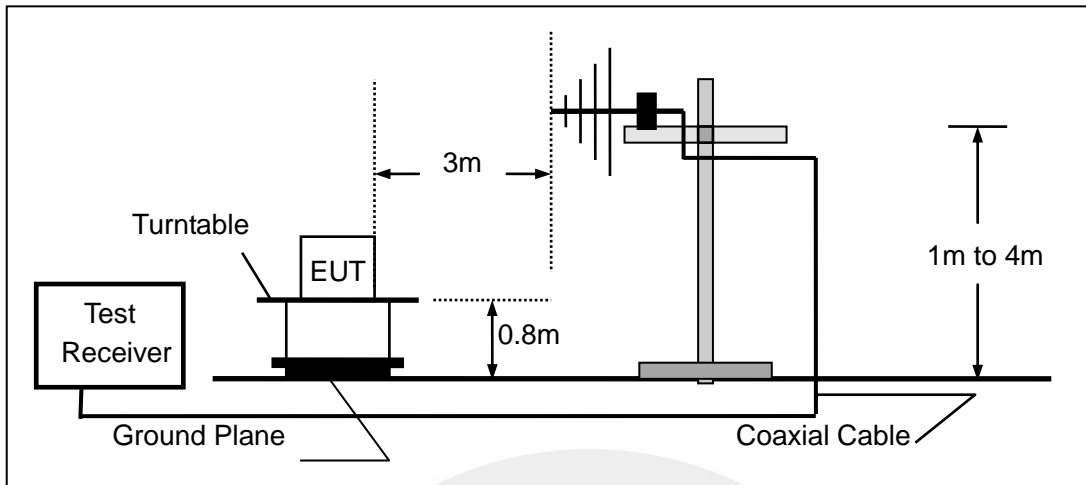
Above 1GHz:

The EUT is placed on a turntable 1.5 meters above the ground in the chamber, 3 meter away from the antenna. The maximal emission value is acquired by adjusting the antenna height, polarisation and turntable azimuth. Normally, the height range of antenna is 1 m to 4 m, the azimuth range of turntable is 0° to 360°, and the receive antenna has two polarizations Vertical (V) and Horizontal (H).

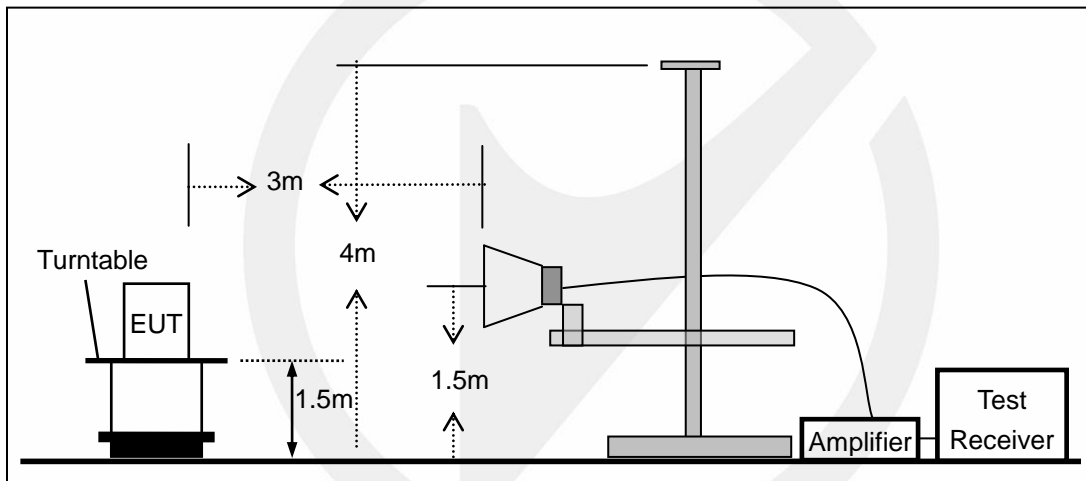
(a) Radiated Emission Test Set-Up, Frequency Below 30MHz



(b) Radiated Emission Test Set-Up, Frequency Below 1000MHz



(c) Radiated Emission Test Set-Up, Frequency above 1000MHz

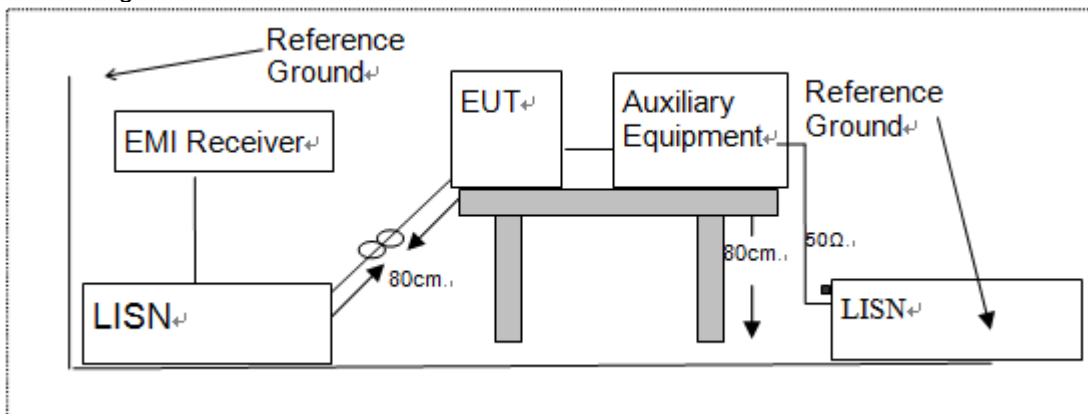


7.3 CONDUCTED EMISSION TEST SETUP

The mains cable of the EUT (maybe per AC/DC Adapter) must be connected to LISN. The LISN shall be placed 0.8 m from the boundary of EUT and bonded to a ground reference plane for LISN mounted on top of the ground reference plane. This distance is between the closest points of the LISN and the EUT. All other units of the EUT and associated equipment shall be at least 0.8m from the LISN.

Ground connections, where required for safety purposes, shall be connected to the reference ground point of the LISN and, where not otherwise provided or specified by the manufacturer, shall be of same length as the mains cable and run parallel to the mains connection at a separation distance of not more than 0.1 m.

According to the requirements in Section 13.1.4.1 of ANSI C63.10-2013 Conducted emissions from the EUT measured in the frequency range between 0.15 MHz and 30 MHz using CISPR Quasi-Peak and average detector mode.



7.4 SUPPORT EQUIPMENT

EUT Cable List and Details			
Cable Description	Length (m)	Shielded/Unshielded	With / Without Ferrite
/	/	/	/

Auxiliary Cable List and Details			
Cable Description	Length (m)	Shielded/Unshielded	With / Without Ferrite
/	/	/	/

Auxiliary Equipment List and Details			
Description	Manufacturer	Model	Serial Number
/	/	/	/

Notes:

1. All the equipment/cables were placed in the worst-case configuration to maximize the emission during the test.
2. Grounding was established in accordance with the manufacturer's requirements and conditions for the intended use.

8 TEST REQUIREMENTS

8.1 BANDWIDTH TEST

8.1.1 Applicable Standard

According to FCC Part 15.249

8.1.2 Conformance Limit

N/A

8.1.3 Test Configuration

Test according to clause 7.1 radio frequency test setup 1

8.1.4 Test Procedure

The EUT was operating in controlled its channel. Printed out the test result from the spectrum by hard copy function.

Since the antenna interface is not easy to be connected to artificial antennas for conducting tests, this project was carried out in the Chamber

Place the sample on the turntable in the chamber and turn the turntable and antenna to find the maximum value

Set to the maximum power setting and enable the EUT transmit continuously

Set RBW \geq 1% of the 20 dB bandwidth(3KHz)

Set the video bandwidth (VBW) \geq RBW(10KHz).

Set Span= approximately 2 to 3 times the 20 dB bandwidth

Set Detector = Peak.

Set Trace mode = max hold.

Set Sweep = auto couple.

Measure the maximum width of the emission that is constrained by the frequencies associated with the two outermost amplitude points (upper and lower frequencies) that are attenuated by 20 dB relative to the maximum level measured in the fundamental emission.

Measure and record the results in the test report.

Test Results

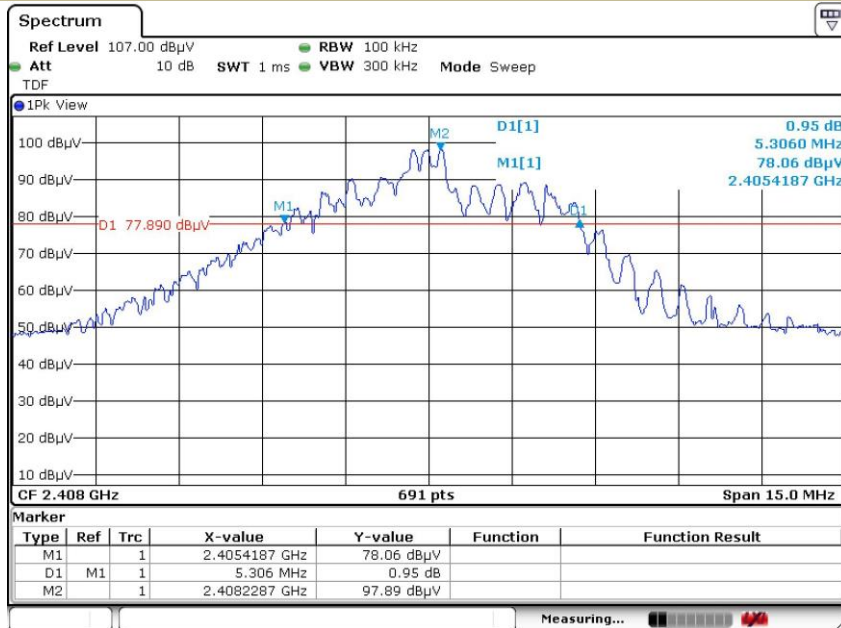
Temperature:	26° C
Relative Humidity:	54%
ATM Pressure:	1011 mbar

Worst case of ANT1

Operation Mode	Channel Number	Channel Frequency (MHz)	20db Measurement Bandwidth (MHz)	99% Measurement Bandwidth (MHz)	Limit (kHz)	Verdict
GFSK	1	2408	5.306	4.631	N/A	PASS
	35	2442	4.884	4.920	N/A	PASS
	71	2478	4.438	4.081	N/A	PASS
Note: N/A (Not Applicable).						

20db Bandwidth

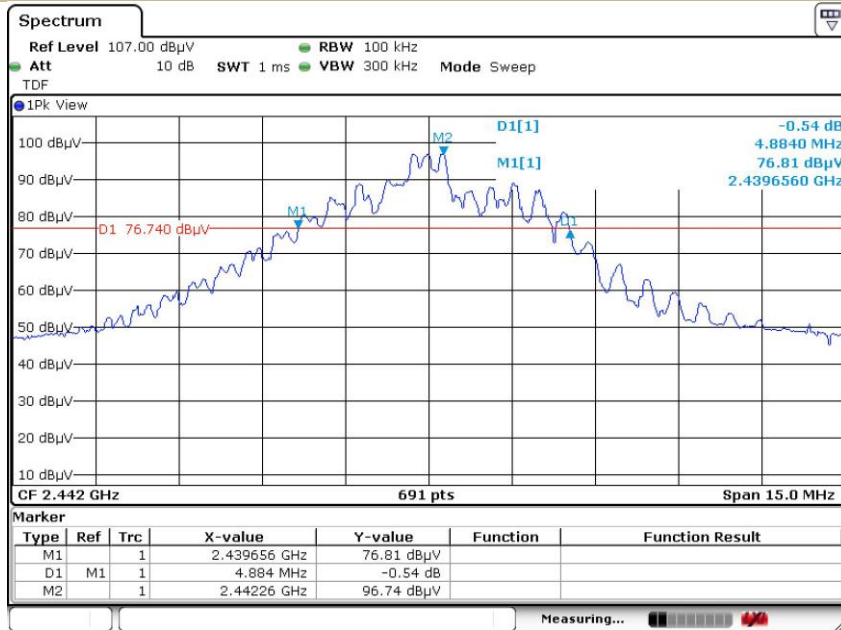
Test Model Channel 1: 2408MHz



Date: 4.APR.2021 10:46:35

20db Bandwidth

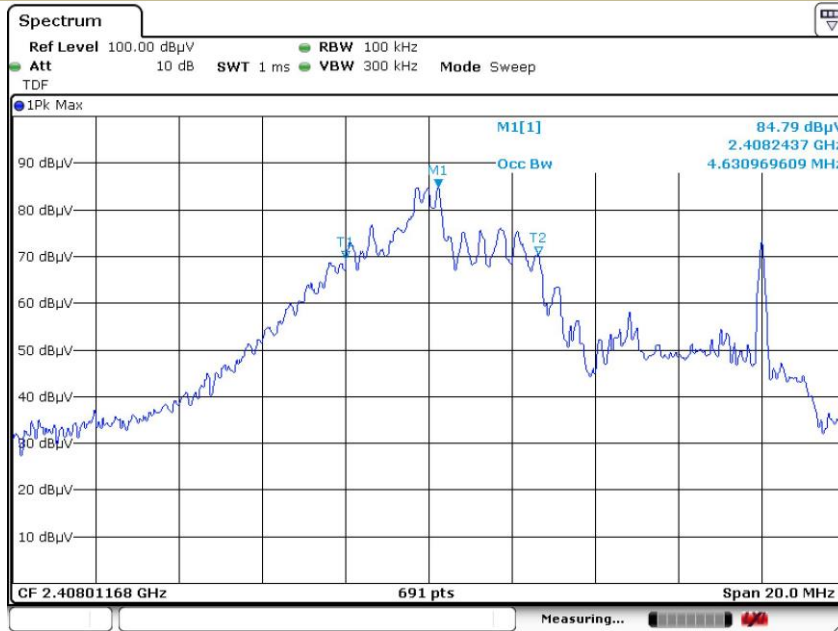
Test Model Channel 35: 2442MHz



Date: 4.APR.2021 10:49:41

99% Occupied Bandwidth

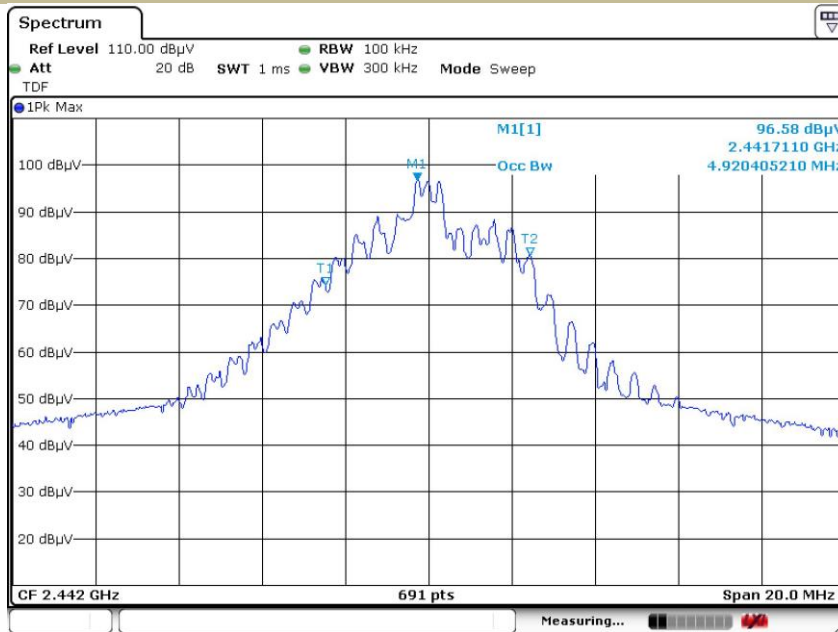
Test Model Channel 1: 2408MHz



Date: 4.APR.2021 10:45:15

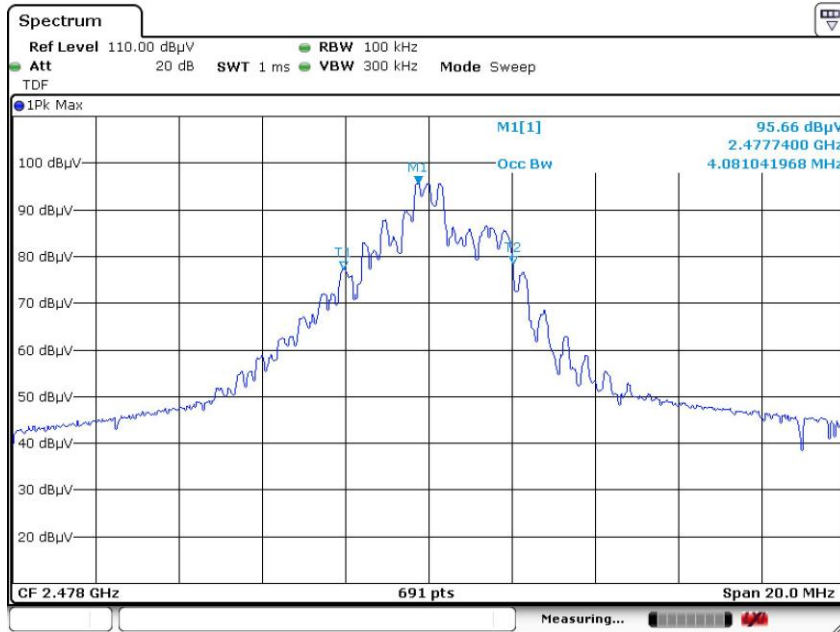
99% Occupied Bandwidth

Test Model Channel 35: 2442MHz



Date: 4.APR.2021 10:15:51

Test Model 99% Occupied Bandwidth
Channel 71: 2478MHz



Date: 4.APR.2021 10:17:19



8.2 RADIATED SPURIOUS EMISSION

8.2.1 Applicable Standard

According to FCC Part 15.249 and 15.209

8.2.2 Conformance Limit

According to FCC Part 15.249: radiated emissions which fall in the restricted bands, as defined in §15.205(a), must also comply with the radiated emission limits specified in §15.209(a) (see §15.205(c)).

According to FCC Part 15.205, Restricted bands

MHz	MHz	MHz	GHz
0.090-0.110	16.42-16.423	399.9-410	4.5-5.15
10.495-0.505	16.69475-16.69525	608-614	5.35-5.46
2.1735-2.1905	16.80425-16.80475	960-1240	7.25-7.75
4.125-4.128	25.5-25.67	1300-1427	8.025-8.5
4.17725-4.17775	37.5-38.25	1435-1626.5	9.0-9.2
4.20725-4.20775	73-74.6	1645.5-1646.5	9.3-9.5
6.215-6.218	74.8-75.2	1660-1710	10.6-12.7
6.26775-6.26825	123-138	2200-2300	14.47-14.5
8.291-8.294	149.9-150.05	2310-2390	15.35-16.2
8.362-8.366	156.52475-156.52525	2483.5-2500	17.7-21.4
8.37625-8.38675	156.7-156.9	2690-2900	22.01-23.12
8.41425-8.41475	162.0125-167.17	3260-3267	23.6-24.0
12.29-12.293	167.72-173.2	3332-3339	31.2-31.8
12.51975-12.52025	240-285	3345.8-3358	36.43-36.5
12.57675-12.57725	322-335.4	3600-4400	(2)
13.36-13.41			

According to FCC Part 15.205, the level of any transmitter spurious emission in Restricted bands shall not exceed the level of the emission specified in the following table

Restricted Frequency(MHz)	Field Strength (μV/m)	Field Strength (dBμV/m)	Measurement Distance
0.009-0.490	2400/F(KHz)	20 log (uV/m)	300
0.490-1.705	24000/F(KHz)	20 log (uV/m)	30
1.705-30	30	29.5	30
30-88	100	40	3
88-216	150	43.5	3
216-960	200	46	3
Above 960	500	54	3

Remark :1. Emission level in dBuV/m=20 log (uV/m)

2. Measurement was performed at an antenna to the closed point of EUT distance of meters.

3. Distance extrapolation factor =40log(Specific distance/ test distance)(dB);

Limit line=Specific limits(dBuV) + distance extrapolation factor.

for the frequency ranges below 30 MHz, a narrower RBW is used for these ranges but the measured value should add a RBW correction factor (RBWCF) where RBWCF [dB] =10*lg(100 [kHz]/narrower RBW [kHz]). , the narrower RBW is 1 kHz and RBWCF is 20 dB for the frequency 9 kHz to 150 kHz, and the narrower RBW is 10 kHz and RBWCF is 10 dB for the frequency 150 kHz to 30 MHz.

Field strength of fundamental and Field strength of harmonics Limit:

Fundamental frequency	Field strength of fundamental (millivolts/meter)	Field strength of harmonics (microvolts/meter)
902-928 MHz	50(94 dBV/m)	500(54 dBV/m)
2400-2483.5 MHz	50(94 dBV/m)	500(54 dBV/m)
5725-5875 MHz	50(94 dBV/m)	500(54 dBV/m)
24.0-24.25 GHz	250(108 dBV/m)	2500(68 dBV/m)

As shown in §15.35(b), for frequencies above 1000 MHz, the field strength limits in paragraphs (a) and (b) of this section are based on average limits. However, the peak field strength of any emission shall not exceed the maximum permitted average limits specified above by more than 20 dB under any condition of modulation

For this report

Fundamental Frequency	Field Strength Of Fundamental	Field Strength of Spurious Emissions
2400-2483.5 MHz	AV:94 dBuV/m at 3m distance	AV:54 dBuV/m at 3m distance
	PK:114 dBuV/m at 3m distance	PK:74 dBuV/m at 3m distance

8.2.3 Test Configuration

Test according to clause 7.2 radio frequency test setup 2

8.2.4 Test Procedure

This test is required for any spurious emission that falls in a Restricted Band, as defined in Section 15.205. It must be performed with the highest gain of each type of antenna proposed for use with the EUT. Use the following spectrum analyzer settings:

The EUT was placed on a turn table which is 0.8m above ground plane.

Maximum procedure was performed on the highest emissions to ensure EUT compliance.

Span = wide enough to fully capture the emission being measured

RBW = 1 MHz for $f \geq 1$ GHz(1GHz to 25GHz), 100 kHz for $f < 1$ GHz(30MHz to 1GHz)

VBW \geq RBW

Sweep = auto

Detector function = peak

Trace = max hold

Follow the guidelines in ANSI C63.10-2013 with respect to maximizing the emission by rotating the EUT, measuring the emission while the EUT is situated in three orthogonal planes (if appropriate), adjusting the measurement antenna height and polarization, etc. A pre-amp and a high pass filter are required for this test, in order to provide the measuring system with sufficient sensitivity. Allow the trace to stabilize. The peak reading of the emission, after being corrected by the antenna factor, cable loss, pre-amp gain, etc., is the peak field strength, which must comply with the limit specified in Section 15.35(b). Submit this data.

Now set the VBW to 10 Hz, while maintaining all of the other instrument settings. This peak level, once corrected, must comply with the limit specified in Section 15.209. If the dwell time per channel of the hopping signal is less than 100 ms, then the reading obtained with the 10 Hz VBW may be further adjusted by a "duty cycle correction factor", derived from $20\log(\text{dwell time}/100 \text{ ms})$, in an effort to demonstrate compliance with the 15.209 limit. Submit this data.

Repeat above procedures until all frequency measured was complete.

8.2.5 Test Results

Temperature:	24° C
Relative Humidity:	53%
ATM Pressure:	1011 mbar

■ Spurious Emission below 30MHz (9KHz to 30MHz)

Freq. (MHz)	Ant. Pol. H/V	Emission Level(dBuV/m)		Limit 3m(dBuV/m)		Over(dB)	
		PK	AV	PK	AV	PK	AV
--	--	--	--	--	--	--	--

Note: the amplitude of spurious emission that is attenuated by more than 20dB below the permissible limit has no need to be reported.

Distance extrapolation factor = 40log(Specific distance/ test distance)(dB);

Limit line=Specific limits(dBuV) + distance extrapolation factor

■ Field Strength of the fundamental signal

Freq. (MHz)	Ant. Pol. H/V	Emission Level(dBuV/m)		Limit 3m(dBuV/m)		Over(dB)	
		PK	AV	PK	AV	PK	AV
2408	V	100.65	65.75	114	94	-13.35	-28.25
2408	H	88.28	50.66	114	94	-25.72	-43.34
2442	V	96.67	65.33	114	94	-17.33	-28.67
2442	H	100.67	69.85	114	94	-13.33	-24.15
2478	V	95.27	67.96	114	94	-18.73	-26.04
2478	H	100.86	70.21	114	94	-13.14	-23.79

Note: (1) Correct Factor= Antenna Factor +Cable Loss- Amplifier Gain

(2) Emission Level= Reading Level+Probe Factor +Cable Loss

■ Out of Band Emissions

Test mode: GFSK Frequency: Channel 1: 2408MHz

Frequency (MHz)	Polarity	PK(dBuV/m) (VBW=3MHz)	Limit 3m (dBuV/m)	Over(dB)	AV(dBuV/m) (VBW=10Hz)	Limit 3m (dBuV/m)	Over(dB)
2389.936	H	49.45	74	-24.55	30.15	54	-23.85
2389.668	V	60.72	74	-13.28	39.21	54	-14.79

Test mode: GFSK Frequency: Channel 71: 2478MHz

Frequency (MHz)	Polarity	PK(dBuV/m) (VBW=3MHz)	Limit 3m (dBuV/m)	Over(dB)	AV(dBuV/m) (VBW=10Hz)	Limit 3m (dBuV/m)	Over(dB)
2483.566	H	70.14	74	-3.86	49.25	54	-4.75
2483.648	V	67.89	74	-6.11	42.96	54	-11.04

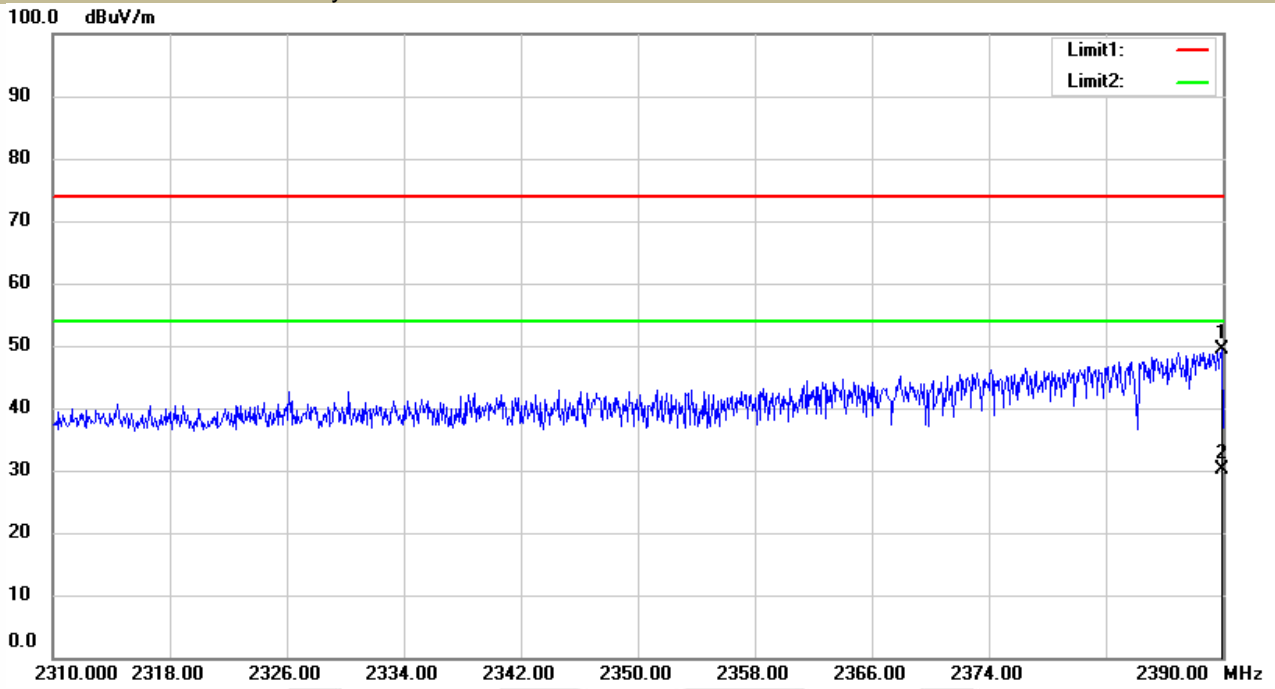
Note: (1) All Readings are Peak Value (VBW=3MHz) and Peak Value (VBW=10Hz).

(2) Emission Level= Reading Level+Correct Factor +Cable Loss.

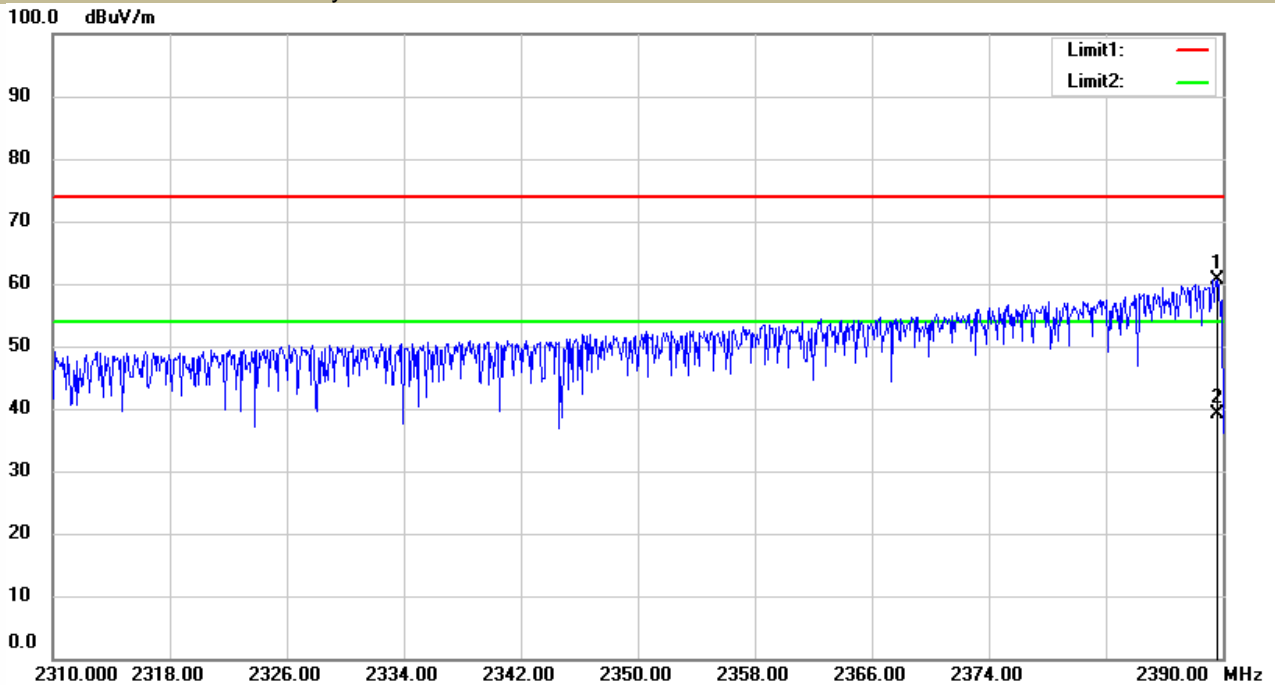
(3) Correct Factor= Ant_F + Cab_L - Preamp

(4)Data of measurement within this frequency range shown “ -- ” in the table above means the reading of emissions are attenuated more than 20dB below the permissible limits or the field strength is too small to be measured.

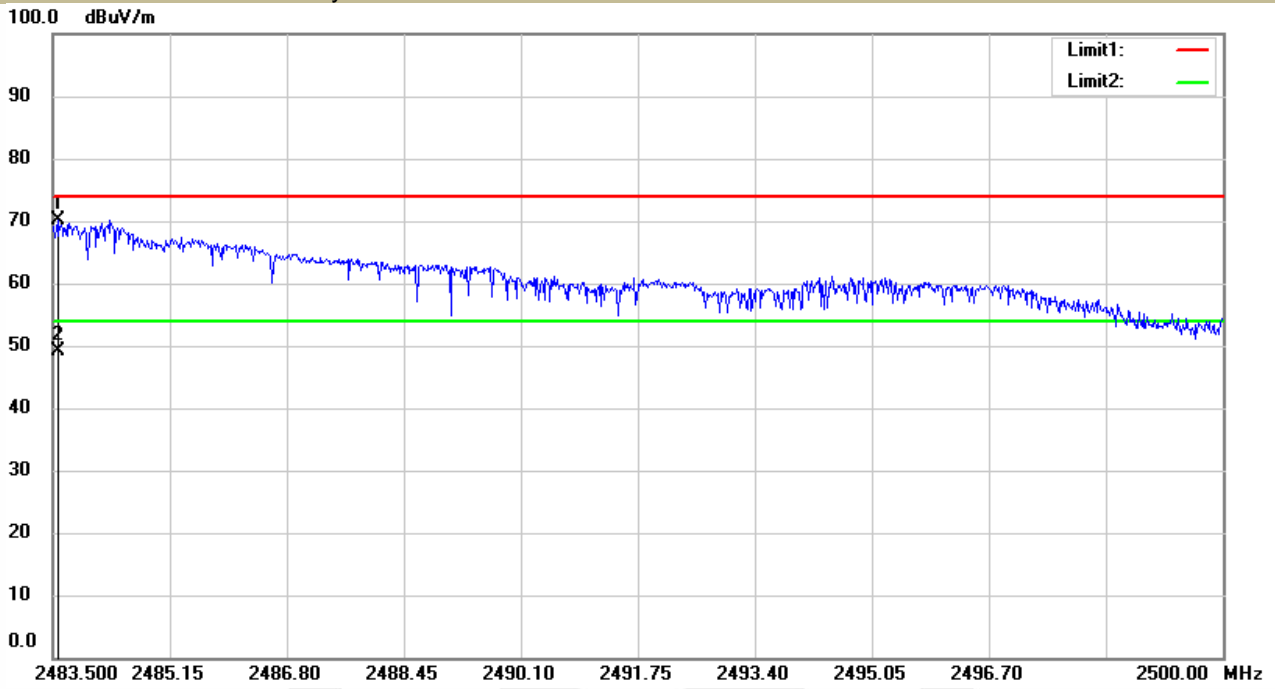
Test Model	Band Emissions
	Low
	Test By: XW
	H



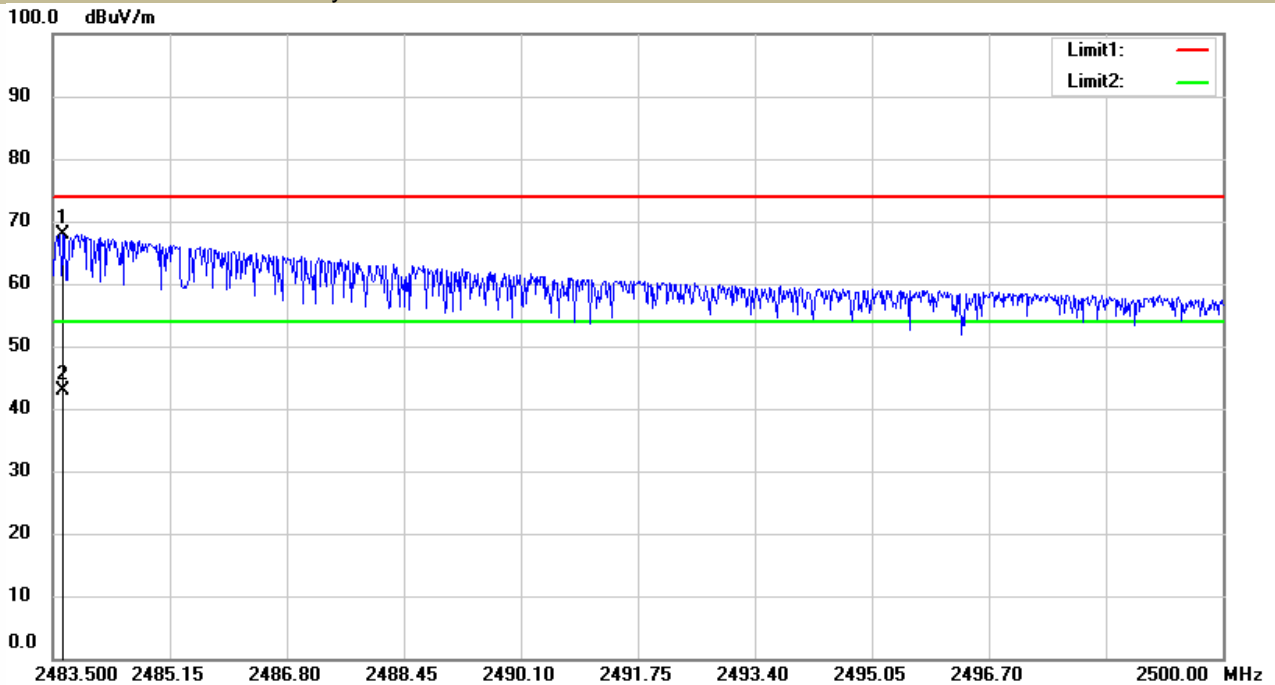
Test Model	Band Emissions
	Low
	Test By: XW
	V



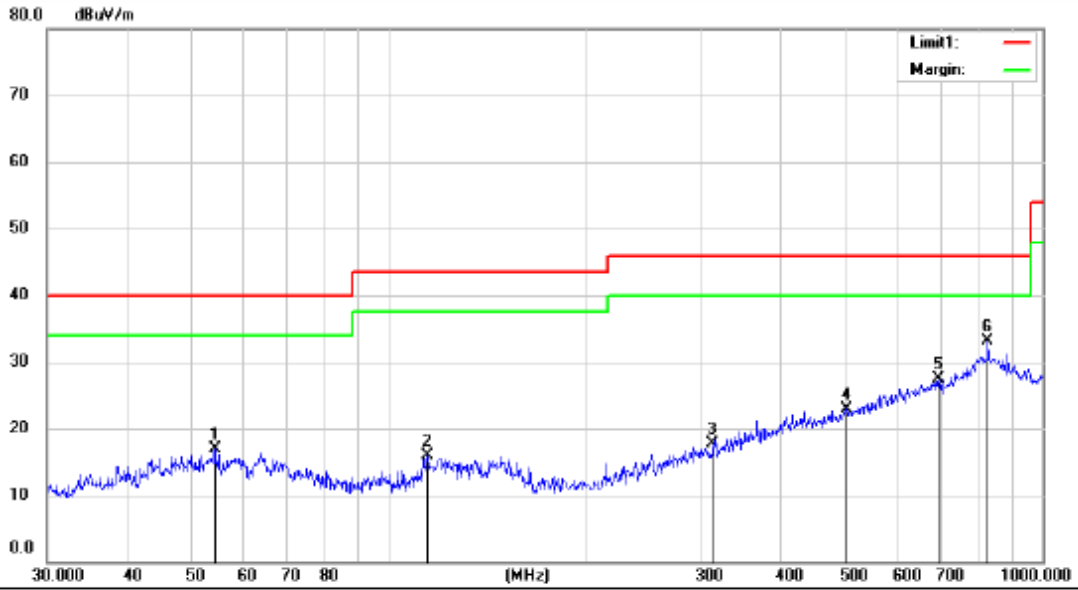
Test Model Band Emissions
 High
 Test By: XW H



Test Model Band Emissions
 High
 Test By: XW V

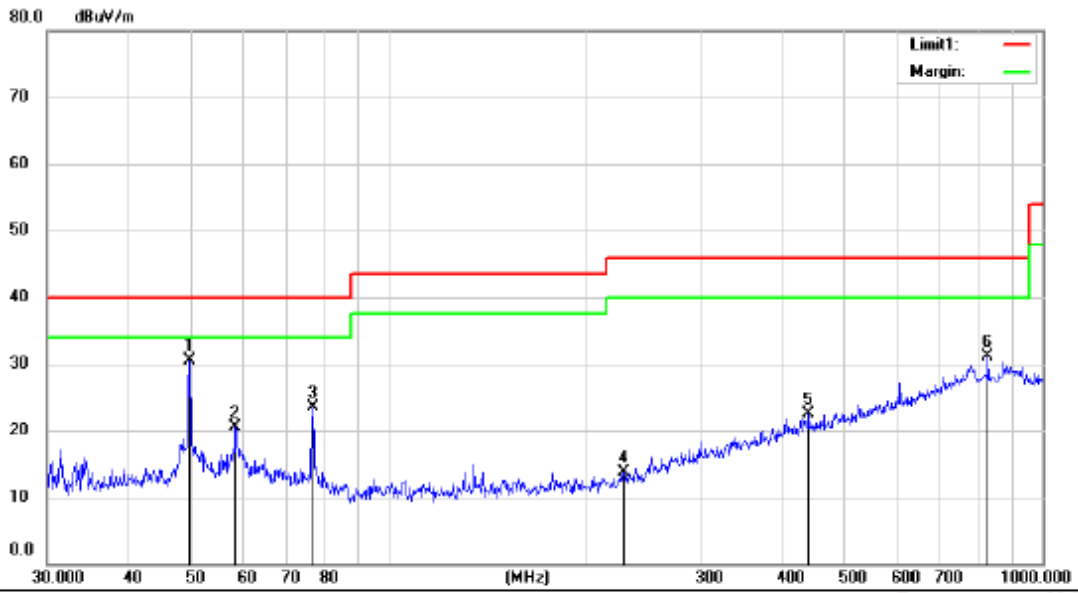


■ Spurious Emission below 1GHz (30MHz to 1GHz)



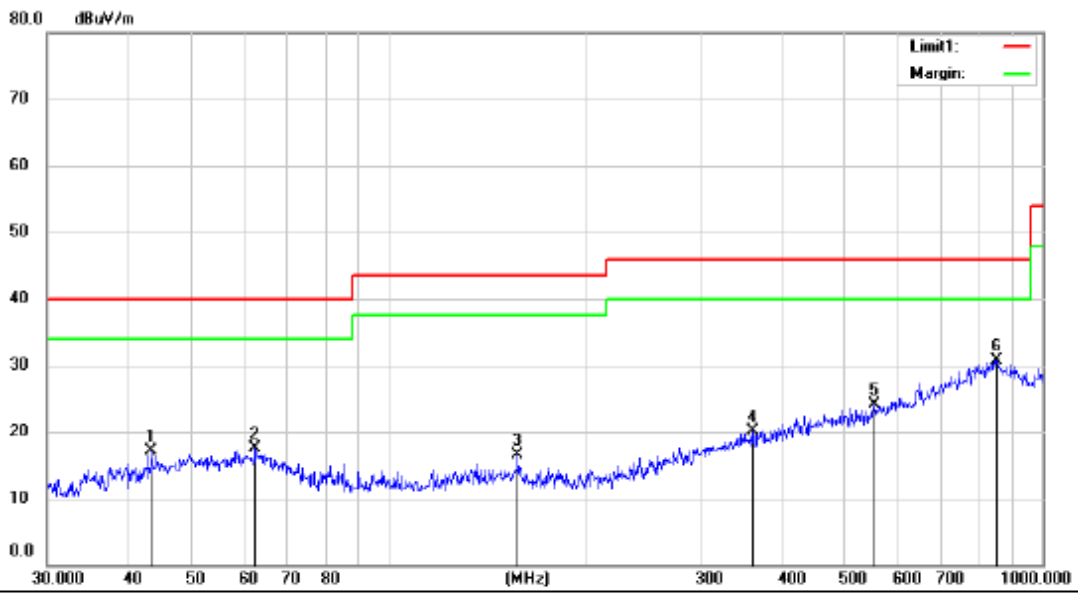
Site 3m Chamber #1 Polarization: *Vertical* Temperature: 29.5 C
 Limit: (RE)FCC PART 15 CLASS B Power: DC 3.7V Humidity: 48 %
 Mode:Low CH
 Note:

No.	Mk.	Freq.	Reading Level	Correct Factor	Measurement	Limit	Over	Antenna Height	Table Degree	
		MHz	dBuV	dB	dBuV/m	dBuV/m	dB	cm	degree	Comment
1		54.1422	28.78	-11.96	16.82	40.00	-23.18			QP
2		114.5648	30.22	-14.24	15.98	43.50	-27.52			QP
3		313.8257	26.73	-9.03	17.70	46.00	-28.30			QP
4		500.7400	27.89	-4.94	22.95	46.00	-23.05			QP
5		693.5050	28.56	-1.03	27.53	46.00	-18.47			QP
6	*	825.6820	30.93	2.24	33.17	46.00	-12.83			QP



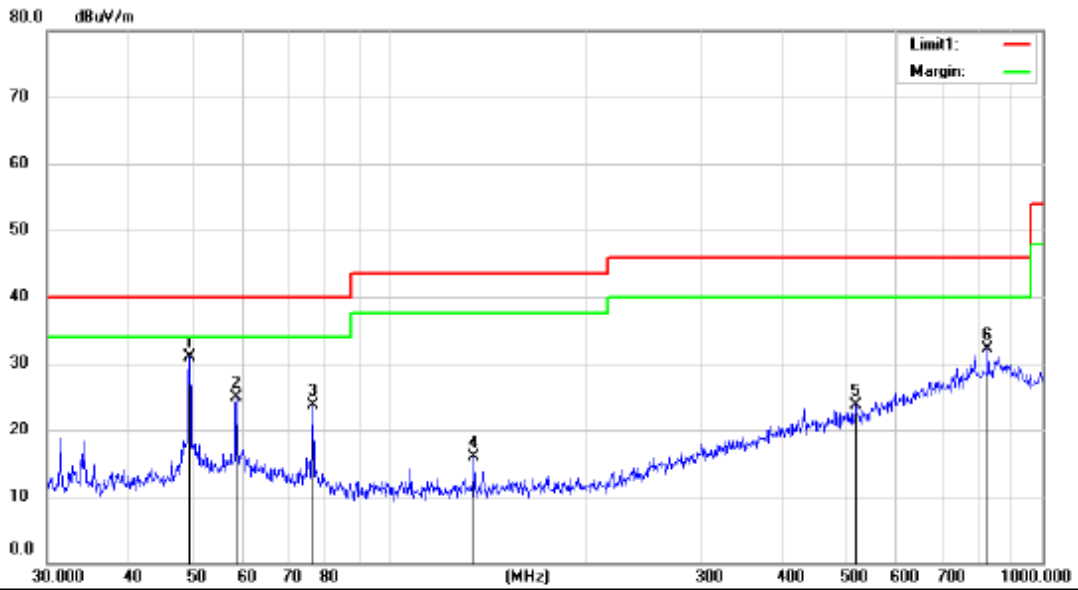
Site: 3m Chamber #1 Polarization: *Horizontal* Temperature: 29.5 C
 Limit: (RE)FCC PART 15 CLASS B Power: DC 3.7V Humidity: 48 %
 Mode: Low CH
 Note:

No.	Mk.	Freq. MHz	Reading Level dBuV	Correct Factor dB	Measure- ment dBuV/m	Limit dBuV/m	Over dB	Detector	Antenna Height cm	Table Degree	Comment
1	*	49.5545	42.66	-12.11	30.55	40.00	-9.45	QP			
2		58.3820	32.66	-12.07	20.59	40.00	-19.41	QP			
3		76.5792	38.01	-14.42	23.59	40.00	-16.41	QP			
4		228.6908	26.36	-12.66	13.70	46.00	-32.30	QP			
5		439.2326	28.39	-5.86	22.53	46.00	-23.47	QP			
6		825.3200	28.95	2.22	31.17	46.00	-14.83	QP			



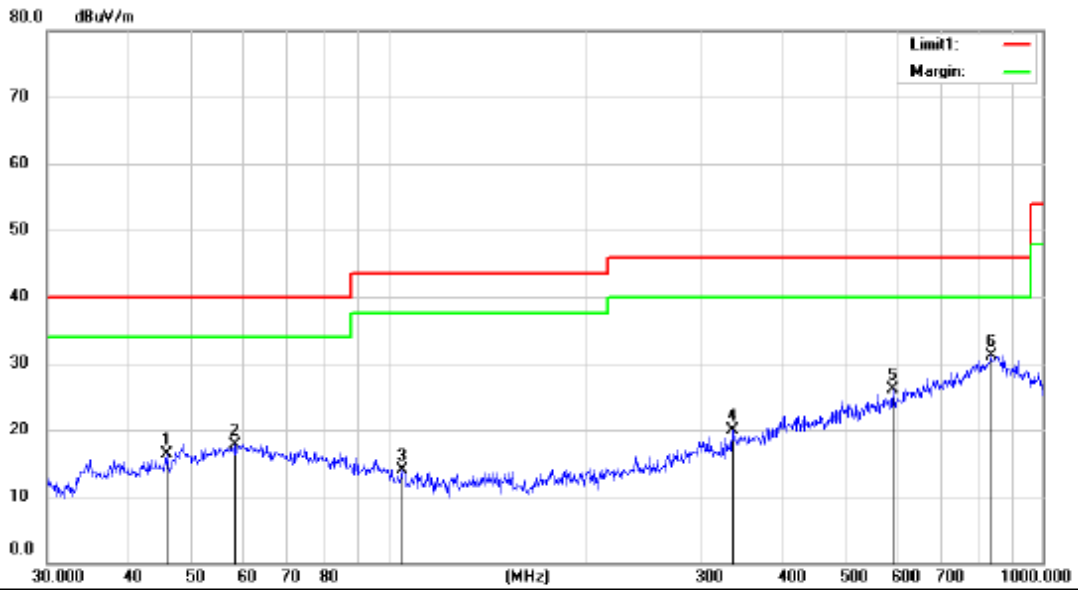
Site: 3m Chamber #1 Polarization: *Vertical* Temperature: 29.5 C
 Limit: (RE)FCC PART 15 CLASS B Power: DC 3.7V Humidity: 48 %
 Mode: Mid CH
 Note:

No.	Mk.	Freq. MHz	Reading Level dBuV	Correct Factor dB	Measure- ment dBuV/m	Limit dBuV/m	Over dB	Detector	Antenna Height cm	Table Degree	Comment
1		43.4675	29.89	-12.71	17.18	40.00	-22.82	QP			
2		62.5135	29.49	-12.05	17.44	40.00	-22.56	QP			
3		157.8354	30.35	-13.90	16.45	43.50	-27.05	QP			
4		359.1860	27.53	-7.45	20.08	46.00	-25.92	QP			
5		554.0964	28.08	-3.93	24.15	46.00	-21.85	QP			
6	*	852.1551	27.91	2.77	30.68	46.00	-15.32	QP			



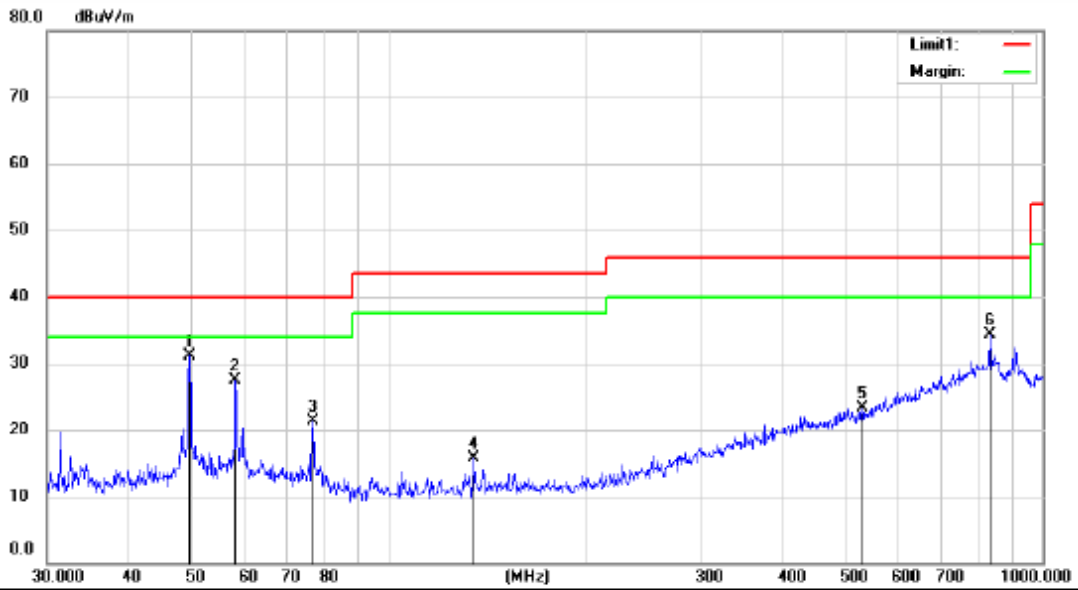
Site: 3m Chamber #1 Polarization: *Horizontal* Temperature: 29.5 C
 Limit: (RE)FCC PART 15 CLASS B Power: DC 3.7V Humidity: 48 %
 Mode: Mid CH
 Note:

No.	Mk.	Freq. MHz	Reading Level dBuV	Correct Factor dB	Measure- ment dBuV/m	Limit dBuV/m	Over dB	Detector	Antenna Height cm	Table Degree degree	Comment
1	*	49.5545	43.01	-12.11	30.90	40.00	-9.10	QP			
2		58.4587	37.00	-12.07	24.93	40.00	-15.07	QP			
3		76.5792	38.08	-14.42	23.66	40.00	-16.34	QP			
4		135.0320	30.02	-14.19	15.83	43.50	-27.67	QP			
5		518.8374	28.72	-4.95	23.77	46.00	-22.23	QP			
6		824.9583	29.99	2.21	32.20	46.00	-13.80	QP			



Site: 3m Chamber #1 Polarization: *Vertical* Temperature: 29.5 C
 Limit: (RE)FCC PART 15 CLASS B Power: DC 3.7V Humidity: 48 %
 Mode: High CH
 Note:

No.	Mk.	Freq. MHz	Reading Level dBuV	Correct Factor dB	Measure- ment dBuV/m	Limit dBuV/m	Over dB	Detector	Antenna Height cm	Table Degree	Comment
1		45.8553	28.68	-12.45	16.23	40.00	-23.77	QP			
2		58.1775	29.87	-12.09	17.78	40.00	-22.22	QP			
3		104.8113	28.23	-14.33	13.90	43.50	-29.60	QP			
4		335.1526	27.84	-8.02	19.82	46.00	-26.18	QP			
5		591.2328	29.36	-3.28	26.08	46.00	-19.92	QP			
6	*	834.0480	28.47	2.61	31.08	46.00	-14.92	QP			



Site: 3m Chamber #1 Polarization: *Horizontal* Temperature: 29.5 C
 Limit: (RE)FCC PART 15 CLASS B Power: DC 3.7V Humidity: 48 %
 Mode: High CH
 Note:

No.	Mk.	Freq. MHz	Reading Level dBuV	Correct Factor dB	Measure- ment dBuV/m	Limit dBuV/m	Over dB	Detector	Antenna Height cm	Table Degree degree	Comment
1	*	49.5328	43.30	-12.12	31.18	40.00	-8.82	QP			
2		58.3820	39.62	-12.07	27.55	40.00	-12.45	QP			
3		76.5792	35.65	-14.42	21.23	40.00	-18.77	QP			
4		135.0320	29.83	-14.19	15.64	43.50	-27.86	QP			
5		531.7304	28.01	-4.74	23.27	46.00	-22.73	QP			
6		830.4002	31.93	2.46	34.39	46.00	-11.61	QP			

■ Spurious Emission Above 1GHz (1GHz to 25GHz)

Test mode: GFSK Frequency: Channel 1: 2408MHz

Freq. (MHz)	Ant.Pol. H/V	Emission Level(dBuV/m)		Limit 3m(dBuV/m)		Over(dB)	
		PK	AV	PK	AV	PK	AV
4815.93	V	58.25	36.21	74	54	-15.75	-17.79
7223.24	V	54.60	33.05	74	54	-19.40	-20.95
12056.71	V	54.93	33.95	74	54	-19.07	-20.05
4815.23	H	58.22	35.96	74	54	-15.78	-18.04
7223.24	H	64.50	43.69	74	54	-9.50	-10.31
12039.30	H	58.67	35.99	74	54	-15.33	-18.01

Test mode: GFSK Frequency: Channel 35: 2442MHz

Freq. (MHz)	Ant.Pol. H/V	Emission Level(dBuV/m)		Limit 3m(dBuV/m)		Over(dB)	
		PK	AV	PK	AV	PK	AV
4884.63	V	60.89	38.21	74	54	-13.11	-15.79
7327.25	V	60.28	38.66	74	54	-13.72	-15.34
9781.60	V	57.31	35.21	74	54	-16.69	-18.79
4884.00	H	57.61	35.98	74	54	-16.39	-18.02
7326.00	H	60.43	39.01	74	54	-13.57	-14.99
9781.60	H	61.61	40.21	74	54	-12.39	-13.79

Test mode: GFSK Frequency: Channel 71: 2478MHz

Freq. (MHz)	Ant.Pol. H/V	Emission Level(dBuV/m)		Limit 3m(dBuV/m)		Over(dB)	
		PK	AV	PK	AV	PK	AV
4956.44	V	61.00	39.02	74	54	-13.00	-14.98
7435.06	V	62.07	40.98	74	54	-11.93	-13.02
12392.36	V	62.06	40.24	74	54	-11.94	-13.76
4955.72	H	58.63	35.99	74	54	-15.37	-18.01
7435.06	H	59.83	37.51	74	54	-14.17	-16.49
12388.78	H	57.49	35.96	74	54	-16.51	-18.04

- Note:**
- (1) All Readings are Peak Value (VBW=3MHz) and Peak Value (VBW=10Hz).
 - (2) Emission Level= Reading Level+Correct Factor +Cable Loss.
 - (3) Correct Factor= Ant_F + Cab_L - Preamp
 - (4) The reading of emissions are attenuated more than 20dB below the permissible limits or the field strength is too small to be measured.

8.3 CONDUCTED EMISSIONS TEST

8.3.1 Applicable Standard

According to FCC Part 15.207(a)

8.3.2 Conformance Limit

Frequency(MHz)	Conducted Emission Limit	
	Quasi-peak	Average
0.15-0.5	66-56	56-46
0.5-5.0	56	46
5.0-30.0	60	50

Note: 1. The lower limit shall apply at the transition frequencies
2. The limit decreases in line with the logarithm of the frequency in the range of 0.15 to 0.50MHz.

8.3.3 Test Configuration

Test according to clause 7.3 conducted emission test setup

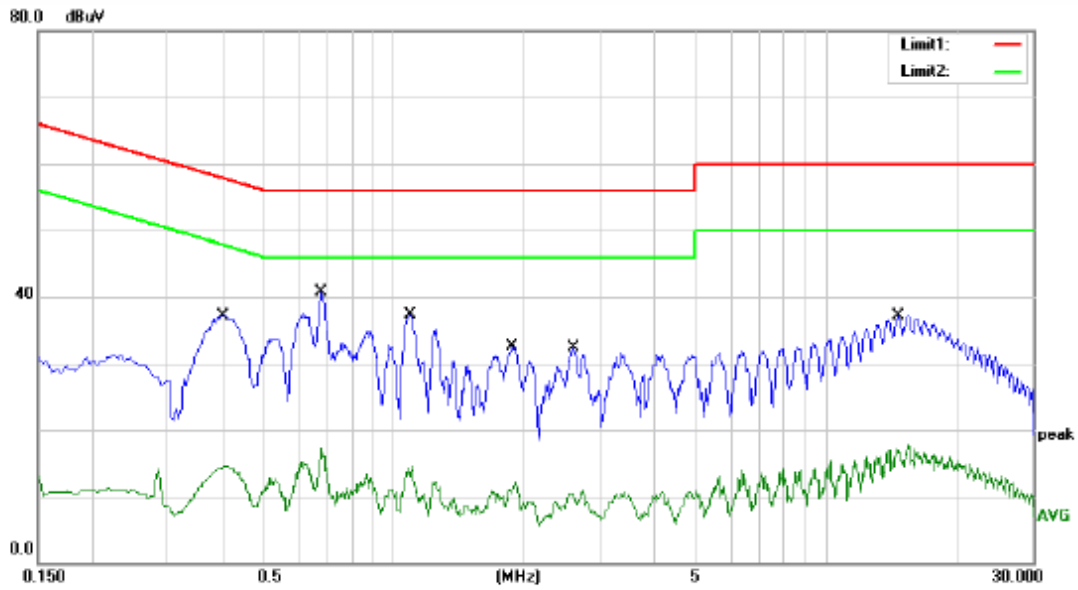
8.3.4 Test Procedure

The EUT was placed on a table which is 0.8m above ground plane.
Maximum procedure was performed on the highest emissions to ensure EUT compliance.
Repeat above procedures until all frequency measured were complete.

8.3.5 Test Results

Pass

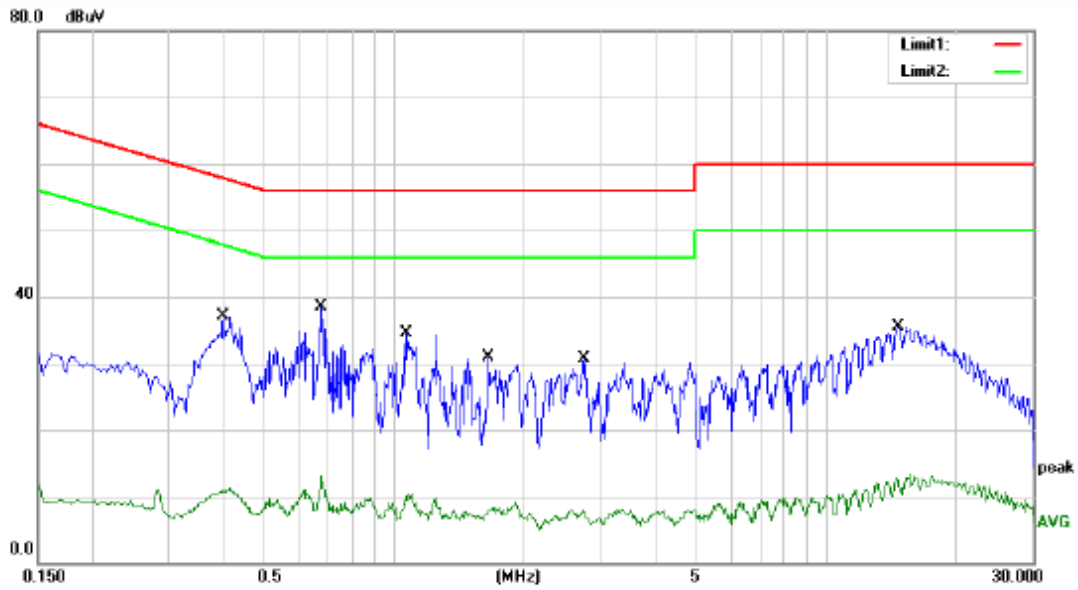
The 120V & 240V voltage have been tested, and the worst result recorded was report as below:



Site: Conduction #2
 Limit: (CE)FCC PART 15 class B_QP
 Mode: Charging +TX
 Note:

Phase: L1
 Power: AC 120V/60Hz
 Temperature: 24.6
 Humidity: 54 %

No.	Mk.	Freq. MHz	Reading Level dBuV	Correct Factor dB	Measure- ment dBuV	Limit dBuV	Over dB	Detector	Comment
1		0.4020	26.80	10.35	37.15	57.81	-20.66	QP	
2		0.4020	4.19	10.35	14.54	47.81	-33.27	AVG	
3	*	0.6820	30.37	10.30	40.67	56.00	-15.33	QP	
4		0.6820	7.06	10.30	17.36	46.00	-28.64	AVG	
5		1.0900	26.88	10.39	37.27	56.00	-18.73	QP	
6		1.0900	4.06	10.39	14.45	46.00	-31.55	AVG	
7		1.8820	22.15	10.32	32.47	56.00	-23.53	QP	
8		1.8820	1.89	10.32	12.21	46.00	-33.79	AVG	
9		2.6020	21.92	10.35	32.27	56.00	-23.73	QP	
10		2.6020	0.45	10.35	10.80	46.00	-35.20	AVG	
11		14.6100	26.52	10.65	37.17	60.00	-22.83	QP	
12		14.6100	6.99	10.65	17.64	50.00	-32.36	AVG	



Site: Conduction #2
 Limit: (CE)FCC PART 15 class B_QP
 Mode: Charging +TX
 Note:

Phase: N
 Power: AC 120V/60Hz
 Temperature: 24.6
 Humidity: 54 %

No.	Mk.	Freq. MHz	Reading Level dBuV	Correct Factor dB	Measure- ment dBuV	Limit dBuV	Over dB	Detector	Comment
1		0.4020	26.69	10.35	37.04	57.81	-20.77	QP	
2		0.4020	0.96	10.35	11.31	47.81	-36.50	AVG	
3	*	0.6820	28.20	10.30	38.50	56.00	-17.50	QP	
4		0.6820	2.74	10.30	13.04	46.00	-32.96	AVG	
5		1.0660	24.02	10.40	34.42	56.00	-21.58	QP	
6		1.0660	0.07	10.40	10.47	46.00	-35.53	AVG	
7		1.6580	20.61	10.34	30.95	56.00	-25.05	QP	
8		1.6580	-1.94	10.34	8.40	46.00	-37.60	AVG	
9		2.7420	20.30	10.36	30.66	56.00	-25.34	QP	
10		2.7420	-2.47	10.36	7.89	46.00	-38.11	AVG	
11		14.6340	24.93	10.65	35.58	60.00	-24.42	QP	
12		14.6340	2.61	10.65	13.26	50.00	-36.74	AVG	

8.4 ANTENNA APPLICATION

8.4.1 Antenna Requirement

Standard	Requirement
FCC CRF Part 15.203	<p>An intentional radiator shall be designed to ensure that no antenna other than that furnished by the responsible party shall be used with the device. The use of a permanently attached antenna or of an antenna that uses a unique coupling to the intentional radiator shall be considered sufficient to comply with the provisions of this section. The manufacturer may design the unit so that a broken antenna can be replaced by the user, but the use of a standard antenna jack or electrical connector is prohibited. This requirement does not apply to carrier current devices or to devices operated under the provisions of §15.211, §15.213, §15.217, §15.219, or §15.221. Further, this requirement does not apply to intentional radiators that must be professionally installed, such as perimeter protection systems and some field disturbance sensors, or to other intentional radiators which, in accordance with §15.31(d), must be measured at the installation site. However, the installer shall be responsible for ensuring that the proper antenna is employed so that the limits in this part are not exceeded.</p>

For intentional device, according to FCC 47 CFR Section 15.203, an intentional radiator shall be designed to ensure that no antenna other than that furnished by the responsible party shall be used with the device.

8.4.2 Result

PASS.

The EUT is a Internal antenna for 2.4G, the antenna gain is 1 dBi.

- Note:
- Antenna use a permanently attached antenna which is not replaceable.
 - Not using a standard antenna jack or electrical connector for antenna replacement
 - The antenna has to be professionally installed (please provide method of installation)

which in accordance to section 15.203, please refer to the internal photos.

Detail of factor for radiated emission

Frequency(MHz)	Ant_F(dB)	Cab_L(dB)	Preamp(dB)	Correct Factor(dB)
0.009	20.6	0.03	\	20.63
0.15	20.7	0.1	\	20.8
1	20.9	0.15	\	21.05
10	20.1	0.28	\	20.38
30	18.8	0.45	\	19.25
30	11.7	0.62	27.9	-15.58
100	12.5	1.02	27.8	-14.28
300	12.9	1.91	27.5	-12.69
600	19.2	2.92	27	-4.88
800	21.1	3.54	26.6	-1.96
1000	22.3	4.17	26.2	0.27
1000	25.6	1.76	41.4	-14.04
3000	28.9	3.27	43.2	-11.03
5000	31.1	4.2	44.6	-9.3
8000	36.2	5.95	44.7	-2.55
10000	38.4	6.3	43.9	0.8
12000	38.5	7.14	42.3	3.34
15000	40.2	8.15	41.4	6.95
18000	45.4	9.02	41.3	13.12
18000	37.9	1.81	47.9	-8.19
21000	37.9	1.95	48.7	-8.85
25000	39.3	2.01	42.8	-1.49
28000	39.6	2.16	46.0	-4.24
31000	41.2	2.24	44.5	-1.06
34000	41.5	2.29	46.6	-2.81
37000	43.8	2.30	46.4	-0.3
40000	43.2	2.50	42.2	3.5

*** End of Report ***