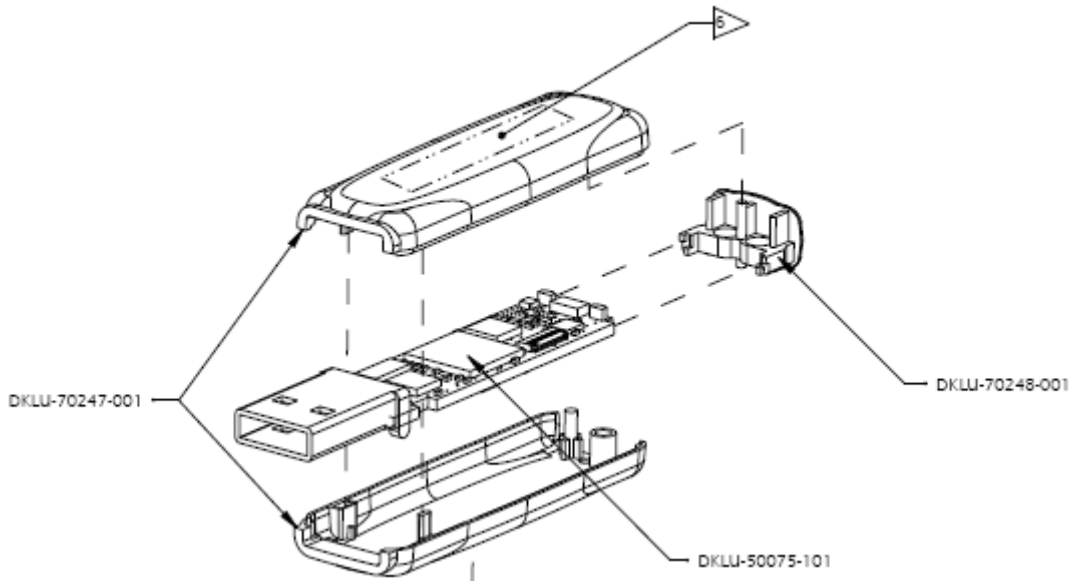
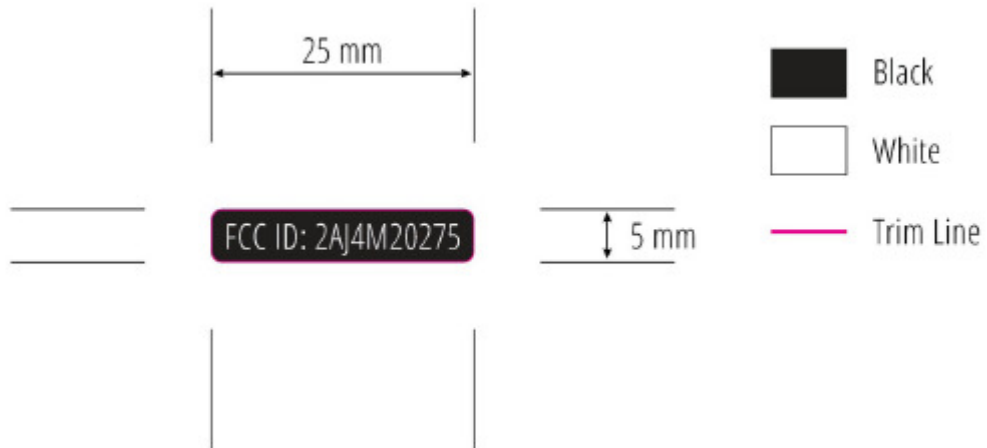


ID Label/Location

Drawing/Photograph showing placement of Label (#6):



Drawing of label:



MATERIAL:

GRAPIC: 6 MIL AUTOTEX POLYESTER, V150 VELVET TEXTURE
ADHESIVE: 3M 9672LE