



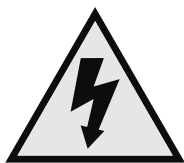
WIRELESS SYSTEM

U7 Saxophone and Trumpet Wireless System

U8 Acoustic Guitar Wireless System

U9 Violin Wireless System





CAUTION RISK OF ELECTRIC SHOCK DO NOT OPEN



WARNING:

TO REDUCE THE RISK OF FIRE OR ELECTRIC SHOCK, DO NOT REMOVE SCREWS. NO USER-SERVICEABLE PARTS INSIDE. REFER SERVICING TO QUALIFIED SERVICE PERSONNEL.

WARNING:

TO REDUCE THE RISK OF FIRE OR ELECTRIC SHOCK, DO NOT EXPOSE THE APPLIANCE TO RAIN OR MOISTURE.

CERTIFICATION

This device is in compliance with the essential requirements and other relevant provisions of Directive 2014/53/EU. All essential radio test suites have been carried out.

Detailed DOC file please visit our website: www.xvive.com

IC CAUTION: This device complies with Industry Canada licence-exempt RSS standard(s). Operation is subject to the following two conditions:

- (1) this device may not cause interference,
- (2) this device must accept any interference, including interference that may cause undesired operation of the device.

Le présent appareil est conforme aux CNR d'Industrie Canada applicables aux appareils radio exempts de licence. L'exploitation est autorisée aux deux conditions suivantes :

- (1) l'appareil ne doit pas produire de brouillage, et
- (2) l'utilisateur de l'appareil doit accepter tout brouillage radioélectrique subi, même si le brouillage est susceptible d'en compromettre le fonctionnement.

FCC CERTIFICATION

FCC Caution: Any changes or modifications not expressly approved by the party responsible for compliance could void the user's authority to operate this equipment.

This device complies with Part 15 of the FCC Rules. Operation is subject to the following two conditions:

- (1) This device may not cause harmful interference, and
- (2) this device must accept any interference received, including interference that may cause undesired operation.

NOTE:

This equipment has been tested and found to comply with the limits for a Class B digital device, pursuant to Part 15 of the FCC Rules.

These limits are designed to provide reasonable protection against harmful interference in a residential installation. This equipment generates, uses and can radiate radio frequency energy and, if not installed and used in accordance with the instructions, may cause harmful interference to radio communications.

However, there is no guarantee that interference will not occur in a particular installation.

If this equipment does cause harmful interference to radio or television reception, which can be determined by turning the equipment off and on, the user is encouraged to try to correct the interference by one or more of the following measures:

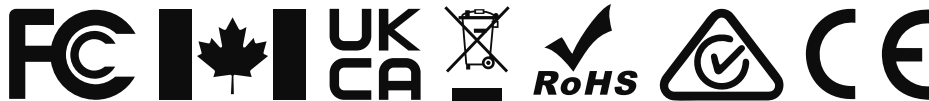
- Reorient or relocate the receiving antenna.
- Increase the separation between the equipment and receiver.
- Connect the equipment into an outlet on a circuit different from that to which the receiver is connected.
- Consult the dealer or an experienced radio/TV technician for help.



WARNING: Cancer and Reproductive Harm -
www.P65Warnings.ca.gov



Hereby, **SHENZHEN FZONE TECHNOLOGY CO., LTD**, declares that this type of equipment is in compliance with the essential requirements and other relevant provisions of Directive 2014/53/EU



Radio Approvals: FCC Part 15.249, RSS-247(Canada),
EN 300 440 (Europe), EN 301.489 (Europe)

PRODUCT NAME: WIRELESS SYSTEM

MODELS: U7 Saxophone and Trumpet Wireless System

U8 Acoustic Guitar Wireless System

U9 Violin Wireless System

SAFETY INSTRUCTIONS FOR LITHIUM-ION RECHARGEABLE BATTERIES

If abused or misused, the rechargeable batteries may leak. In extreme cases, they may even present a risk of explosion, fire, heat, smoke or gas. Xvive does not accept any liability for damage arising from abuse or misuse.

- Keep away from children.
- Only charge rechargeable batteries with chargers recommended by Xvive.
- Observe correct polarity.
- Pack/store charged rechargeable batteries so that the terminals cannot contact each other (danger of shorting out/fire hazard).
- Do not expose to moisture.
- Switch rechargeable battery-powered products off after use.
- Only charge rechargeable batteries at ambient temperatures between 10°C/50°F and 40°C/104°F.
- When not using rechargeable batteries for extended periods of time, charge them regularly (about every three months).
- Do not mutilate or dismantle.
- Do not heat above 60°C/140°F, e.g. do not expose to sunlight or throw into a fire.
- Immediately remove rechargeable batteries from obviously defective products.
- Do not continue to use defective rechargeable batteries.
- Only use rechargeable batteries specified by Xvive.
- Dispose of rechargeable batteries at special collection points or return them to your specialist dealer.
- Store the products in a cool and dry place at room temperature (approx. 20°C/68°F).
- Remove the rechargeable batteries if the products will not be used for extended periods of time.

ONE-YEAR LIMITED WARRANTY

Xvive Corporation Ltd. [Xvive] warrants our products to be free of defects in materials and workmanship in normal use for a period of one (1) year from the date of original purchase. Please visit <https://www.xvive.com> to register your new purchase.

Xvive will, at its sole discretion, or in cooperation with our authorized retailers, repair or replace at no charge, any unit that is inspected by Xvive or an affiliated Xvive service center and deemed to be defective within the warranty period. This warranty is non-transferrable.

This warranty is only valid to the original purchaser, only when purchased “new-in-box” from an Authorized Xvive Dealer and with a valid proof of purchase bearing the purchase date.

Within the USA:

- All Xvive warranty claims should be made with the retailer from which the unit was purchased. This applies to both retail stores and online retailers.

Outside of the USA:

- For all warranty and non-warranty claims, the purchaser should contact the Authorized Xvive Retailer from which the unit was purchased within the country or province in which it was purchased for information on how to obtain warranty or non-warranty service.

This limited warranty does not cover the following:

- Products that have been modified in any way;
- Any products whose serial numbers have been altered or removed;
- Exterior cosmetic damage or damage to the finish due to misuse or normal wear and tear;
- Products that were purchased as “used”, items listed as demo stock or refurbished items;
- Damage to the product or parts caused by improper storage by the user;
- Any freight charges (from or to the retailer);
- Shipping Damage:
 - Shipping damage claims must be filed with the freight carrier (such as UPS, FedEx).

- Notify the freight carrier immediately of any shipping damage upon receipt of damaged items to begin the claim process.
- We also recommend reporting any shipping damage claim within 48 hours of receipt to the Authorized Retailer from which the item was purchased.
- Keep all original documents and packing materials until the freight damage claim has a final resolution.

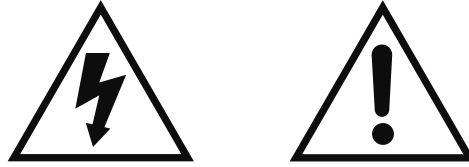
For units returned to Xvive USA:

- The item must be returned in the same format in which it was purchased. If a system containing a transmitter and receiver was purchased, then both units will need to be returned together.
- The purchaser will pay all freight charges to return the original item to Xvive USA or its affiliated service centers.
- If the unit is deemed to be covered by this warranty, Xvive will ship the repaired or replacement unit to the purchaser free-of-charge and without any additional freight charges.
- If the unit is deemed to NOT be covered by this warranty, other charges plus return freight charges will apply.

EXCEPT AS EXPRESSLY SET FORTH ABOVE IN THIS LIMITED WARRANTY, XVIVE MAKES NO OTHER EXPRESS OR IMPLIED WARRANTIES TO THE EXTENT PERMITTED BY LAW. XVIVE ASSUMES NO LIABILITY FOR PROPERTY DAMAGE RESULTING FROM FAILURE OF THIS PRODUCT NOR ANY LOSS OF INCOME, SATISFACTION, OR DAMAGES ARISING FROM THE LOSS OF USE OF SAME DUE TO DEFECTS OR AVAILABILITY OF SAME DURING SERVICE. THIS WARRANTY GIVES YOU SPECIFIC LEGAL RIGHTS AND YOU MAY ALSO HAVE OTHER RIGHTS WHICH VARY FROM STATE TO STATE OR BY COUNTRY OR PROVINCE.

For warranty inquiries not covered in this policy,
please contact support@xvive.com

**IMPORTANT SAFETY INSTRUCTIONS
PLEASE READ THESE INSTRUCTIONS AND KEEP
THEM IN A SAFE PLACE**



WARNING: BEFORE USING YOUR XVIVE WIRELESS SYSTEM,
CAREFULLY READ THE OPERATING INSTRUCTIONS.

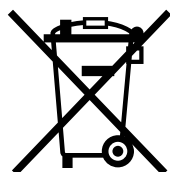
1. Observe all instructions in the wireless system manual carefully.
2. Do not perform service operations beyond those described in the wireless system manual. Service is required when the apparatus has been damaged in any way, such as:
 - Liquid has been spilled or objects have fallen into the apparatus;
 - The unit has been exposed to rain or moisture;
 - The unit does not operate normally or changes in performance in a significant way;
 - The unit is dropped or the enclosure is damaged
3. Do not place near heat sources, such as radiators, heat registers, or appliances that produce heat.
4. Guard against objects or liquids entering the device. Do not use or place unit near water.
5. Clean only with a dry cloth.
6. Only use attachments/accessories specified by the manufacturer.

INFORMATION ABOUT COLLECTION AND DISPOSAL OF OLD ITEMS AND USED BATTERIES

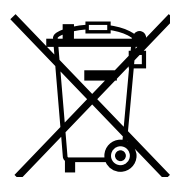


These symbols on the products, packaging, or on any documents in the package mean it is incorrect to mix the used electrical and electronic products and batteries with general household garbage.

To protect our environment, please take old products and used batteries to proper collection places, and follow your national legislation and the Directives 2012/19/EU and 2006/66/EC.



To deal with these old products and batteries properly, please help to save valuable resources and prevent any possibility of side effects on human health and our environment due to the inappropriate disposal of the old products and used batteries.



You can contact your local authority for getting more helpful information on how to dispose the recycling and collection of the old products and batteries.

[For business users in the European Union]

If you want to discard electrical and electronic item, please contact your dealer or supplier for further information.

Cd

[Information on Disposal in other Countries outside the European Union]

These symbols are only valid in the European Union. Please contact your local authorities or dealer for more information on disposal of old items and used batteries.

FEATURES

Xvive has equipped the wireless system with an ultra-high-quality supercardioid microphone. It is suitable for tenor, soprano, baritone and alto saxophones, trumpet, trombone and other brass instruments, acoustic guitars, violin and viola.

This mic has a superior dynamic range and an SPL of 142 dB, bringing more clarity and detail to your music. Going wireless doesn't mean you have to sacrifice sound quality!

PRODUCT HIGHLIGHTS

- 2.4 GHz wireless band, approved for worldwide use
- Less than 5 ms latency
- Simultaneous broadcast on 6 channels
- Broad 20 Hz – 20 kHz frequency response.
Dependent on microphone type or input signal.
- Wireless range of up to 90 feet (27 m)
Actual range depends on RF signal absorption, reflection and interference
- 5 hours of battery life (rechargeable battery in both Transmitter and Receiver)
- High resolution 24-bit / 48 kHz audio
- Dynamic range: 108 dB
- Signal-to-noise ratio: 108 dB
- 142 dB SPL high-quality supercardioid microphone

U7 PACKAGE DETAILS

U7 Transmitter	1 PCS
U7 Receiver	1 PCS
Microphone	1 PCS
Saxophone/Trumpet Clip	1 PCS
Carry Case	1 PCS
Charging Cable	1 PCS
Manual	1 PCS
Foam Windscreen	2 PCS
Fur Windshield	1 PCS

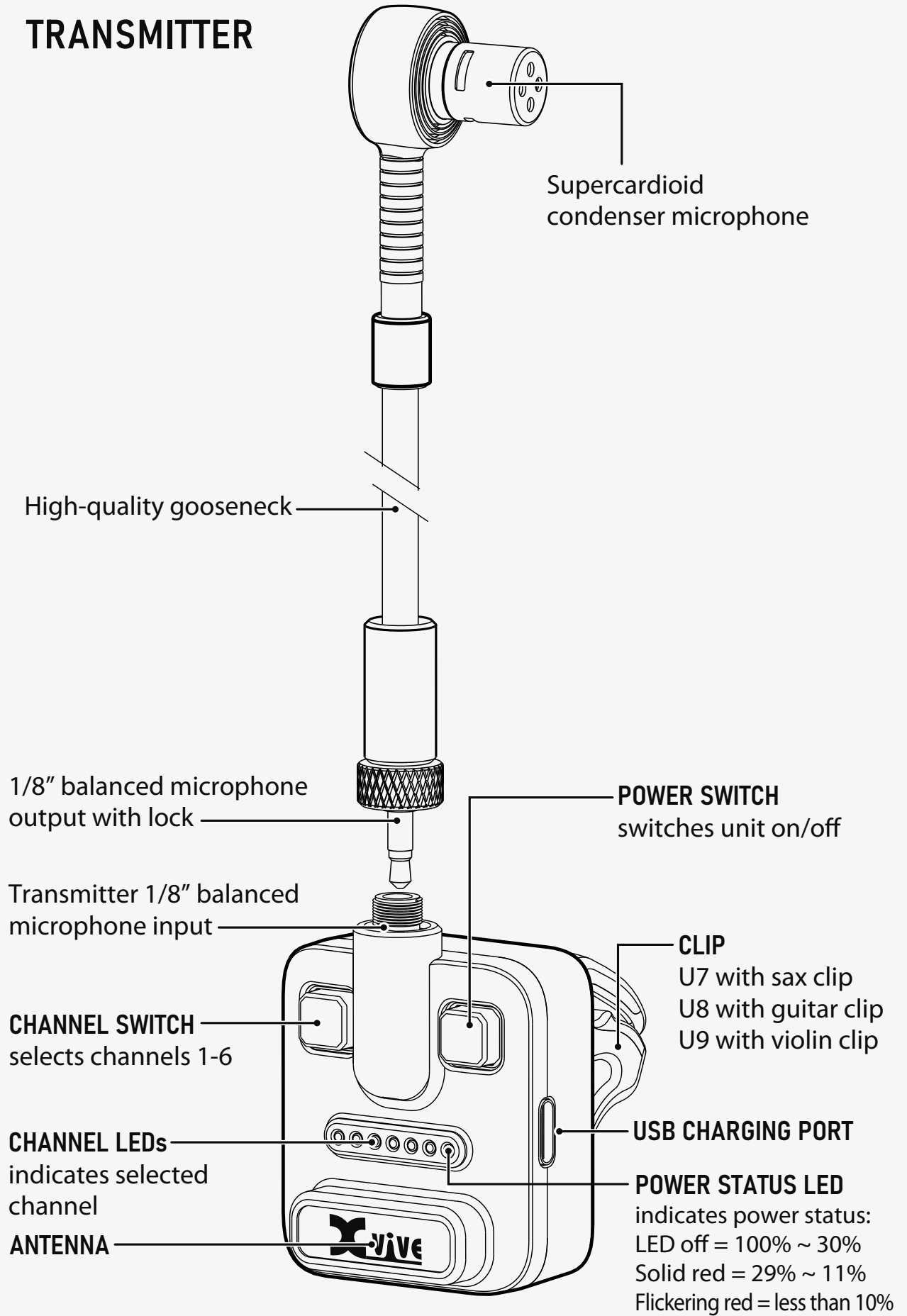
U8 PACKAGE DETAILS

U8 Transmitter	1 PCS
U8 Receiver	1 PCS
Microphone	1 PCS
Guitar Clip	1 PCS
Carry Case	1 PCS
Charging Cable	1 PCS
Manual	1 PCS
Foam Windscreen	2 PCS
Fur Windshield	1 PCS

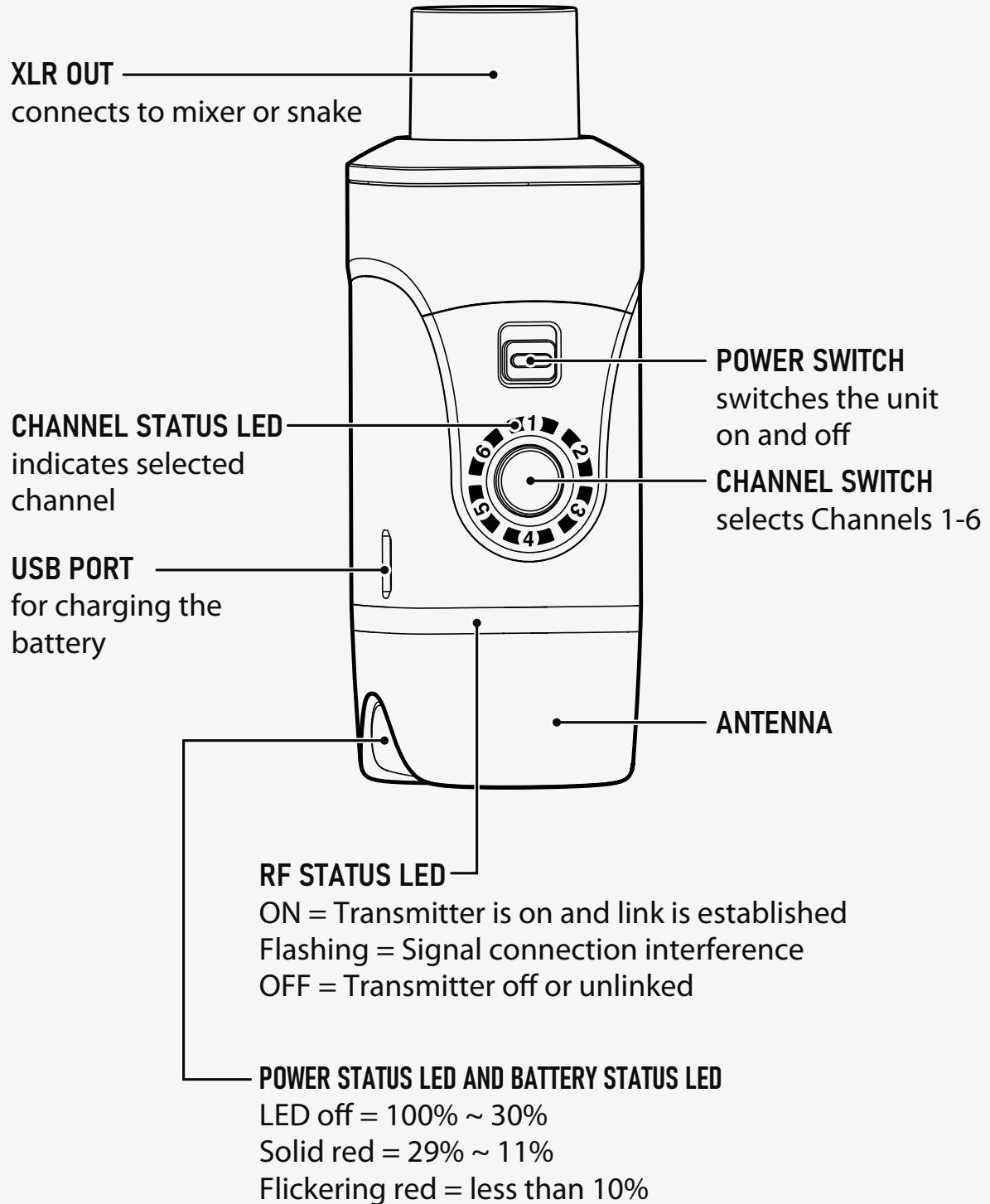
U9 PACKAGE DETAILS

U9 Transmitter	1 PCS
U9 Receiver	1 PCS
Microphone	1 PCS
Violin Clip	1 PCS
Carry Case	1 PCS
Charging Cable	1 PCS
Manual	1 PCS
Foam Windscreen	2 PCS
Fur Windshield	1 PCS

TRANSMITTER



RECEIVER



SPECIFICATIONS

WIRELESS SYSTEM

1. **Tuning bandwidth:** 2400 – 2483.5 MHz
2. **Working range:** 90 ft (indoors). Actual range depends on RF signal absorption, reflection and interference.
3. **Audio frequency response:**
20 Hz – 20 kHz (-3dB). Dependent on microphone type or input signal.
4. **Dynamic range:** 108 dB
5. **Signal-to-noise ratio:** 108 dB
6. **RF sensitivity:** -88 dBm
7. **Total harmonic distortion:** 0.2%
8. **RF output power:** 10 mW E.I.R.P. max
9. **Operating temperature range:**
0°C to 45°C. Battery characteristics may limit this range.
10. **Channel count:** 6
11. **Charging voltage and current:** 5V / 2A
12. **Charging time:** 2.5 hours
13. **Sample rate:** 24-bit / 48 kHz
14. **Latency:** less than 5 ms
15. **Battery life:** up to 5 hours

RECEIVER

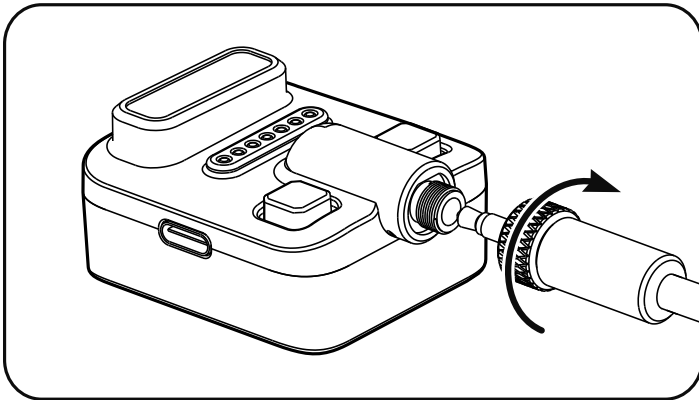
1. **Dimensions:** 31 mm x 29 mm x 98 mm
2. **Weight:** 92 g
3. **Housing:** Molded plastic and cast metal
4. **Battery:** 3.7V rechargeable Li-ion, 860 mA
5. **Output impedance:** 470 Ω (1 kHz)
6. **Audio output connector:** XLR balanced male
7. **Maximum output level:** 3.6 Vp-p
8. **USB type:** USB Type-C
9. **Antenna impedance:** 50 Ω
10. **Antenna Type:** 1/4 wave sleeve dipole, non-removable
11. **Number of antennas:** 2

SPECIFICATIONS

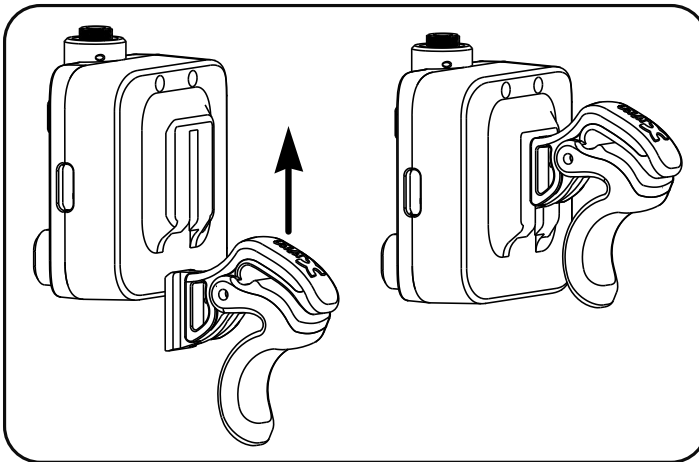
TRANSMITTER & MICROPHONE

1. **Transmitter dimensions:** 40 mm x 29 mm x 50 mm
2. **Microphone dimensions:** 20 mm x 28 mm x 190 mm
3. **Transmitter weight:** 35 g
4. **Microphone weight:** 35 g
5. **Housing:** Molded plastic and cast metal
6. **Battery:** 3.7V rechargeable Li-ion, 720 mA
7. **Audio input connector:** 1/8" balanced TRS female
8. **Maximum input level:** 3.7 Vp-p
9. **Phantom power:** $\pm 3.3V$
10. **USB type:** USB Type-C
11. **Microphone type:** supercardioid
12. **Microphone output:** 1/8" balanced male TRS
Tip = +3.3V, Ring = -3.3V, Sleeve = ground
13. **Microphone sensitivity:** -45 dB
14. **Max. SPL:** 142 dB
15. **Antenna impedance:** 50 Ω
16. **Antenna type:** 1/4 wave sleeve dipole, non-removable
17. **Number of antennas:** 1

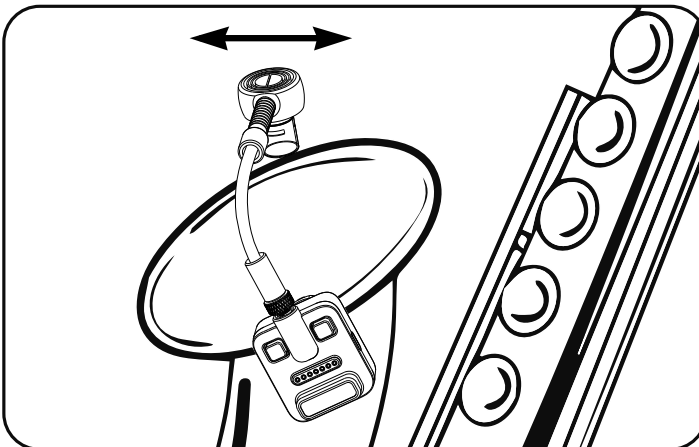
U7 QUICK START



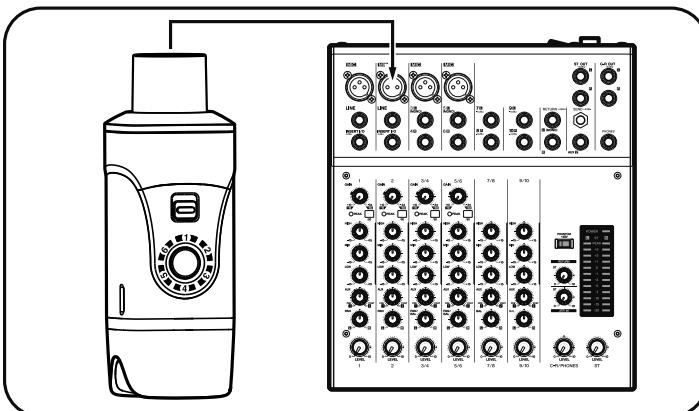
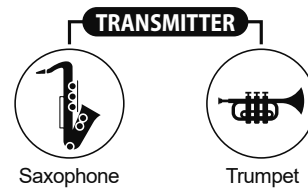
1. Plug in the microphone, and lock it in place by screwing it on clockwise



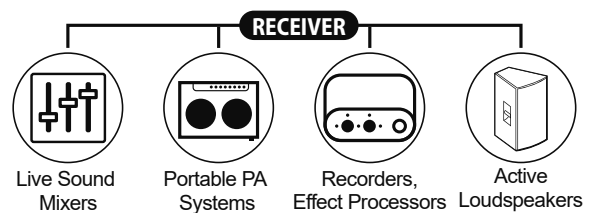
2. Install the clip



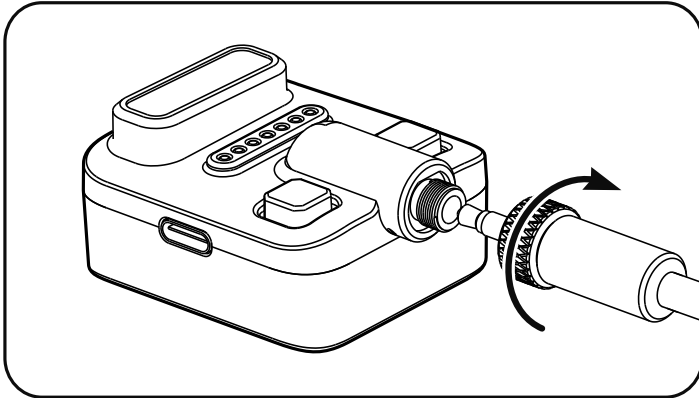
3. Install on the bell of the instrument and adjust the position as desired



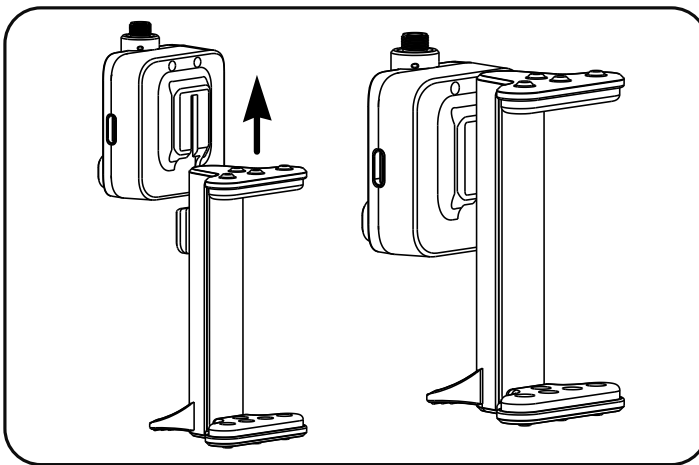
4. Plug in the receiver



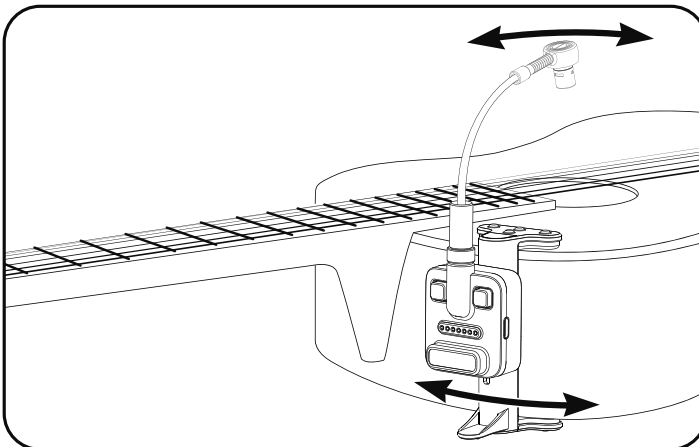
U8 QUICK START



1. Plug in the microphone, and lock it in place by screwing it on clockwise



2. Install the guitar clip on the transmitter

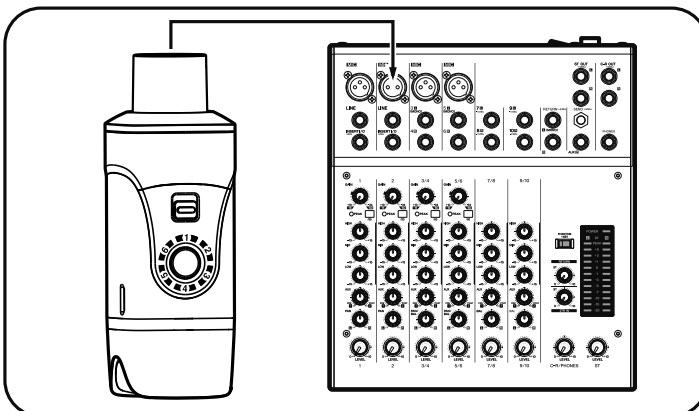


3. Install the clip and transmitter on the acoustic guitar body and adjust the microphone position

TRANSMITTER



Acoustic Guitar / Classical guitar
(w/ piezo pickup or no pickup)



4. Plug in the receiver

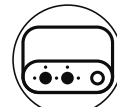
RECEIVER



Live Sound Mixers



Portable PA Systems

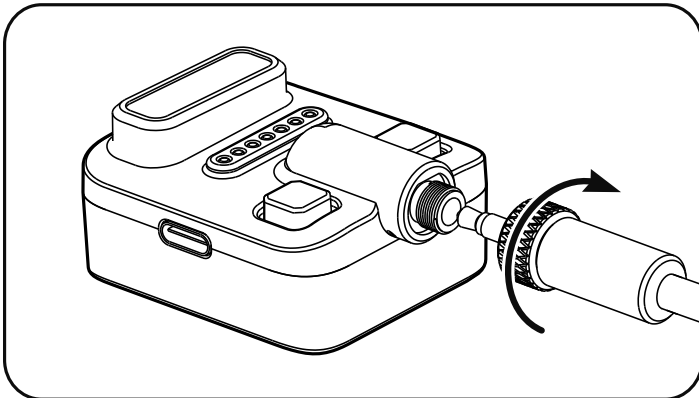


Recorders, Effect Processors

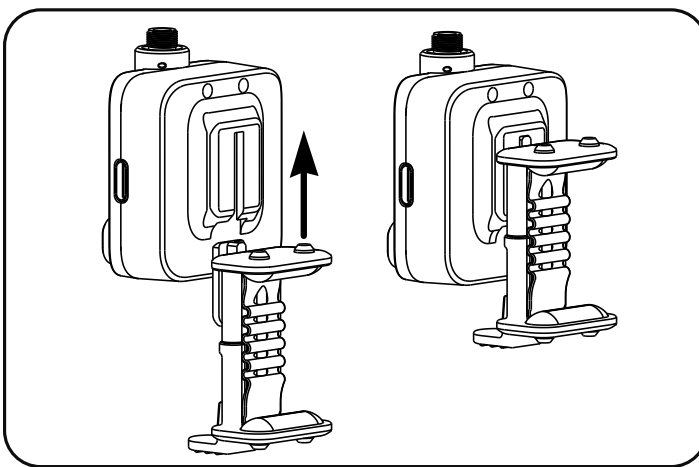


Active Loudspeakers

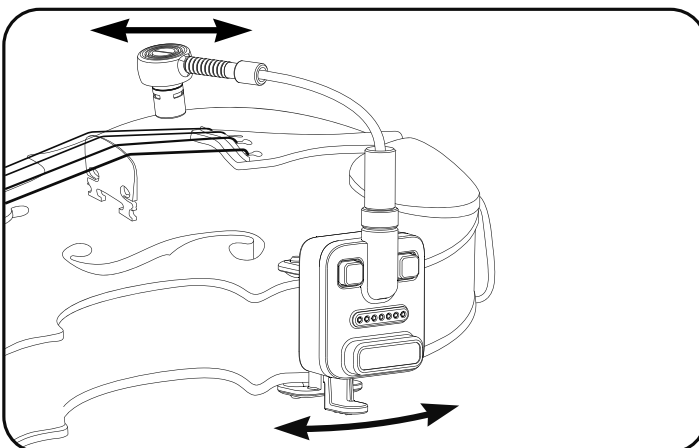
U9 QUICK START



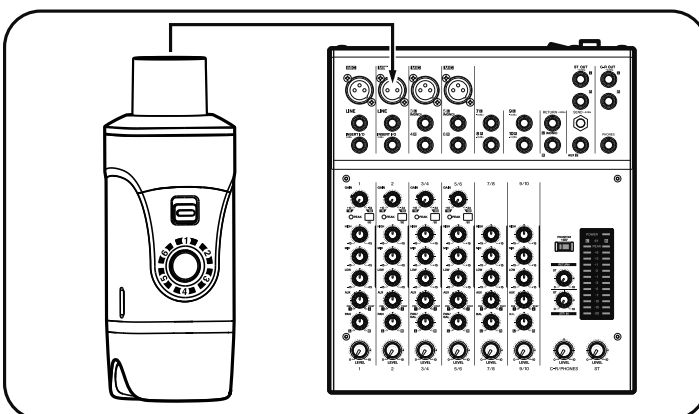
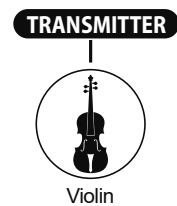
1. Plug in the microphone, and lock it in place by screwing it on clockwise



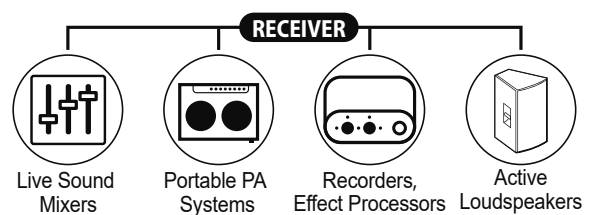
2. Install the violin clip on the transmitter

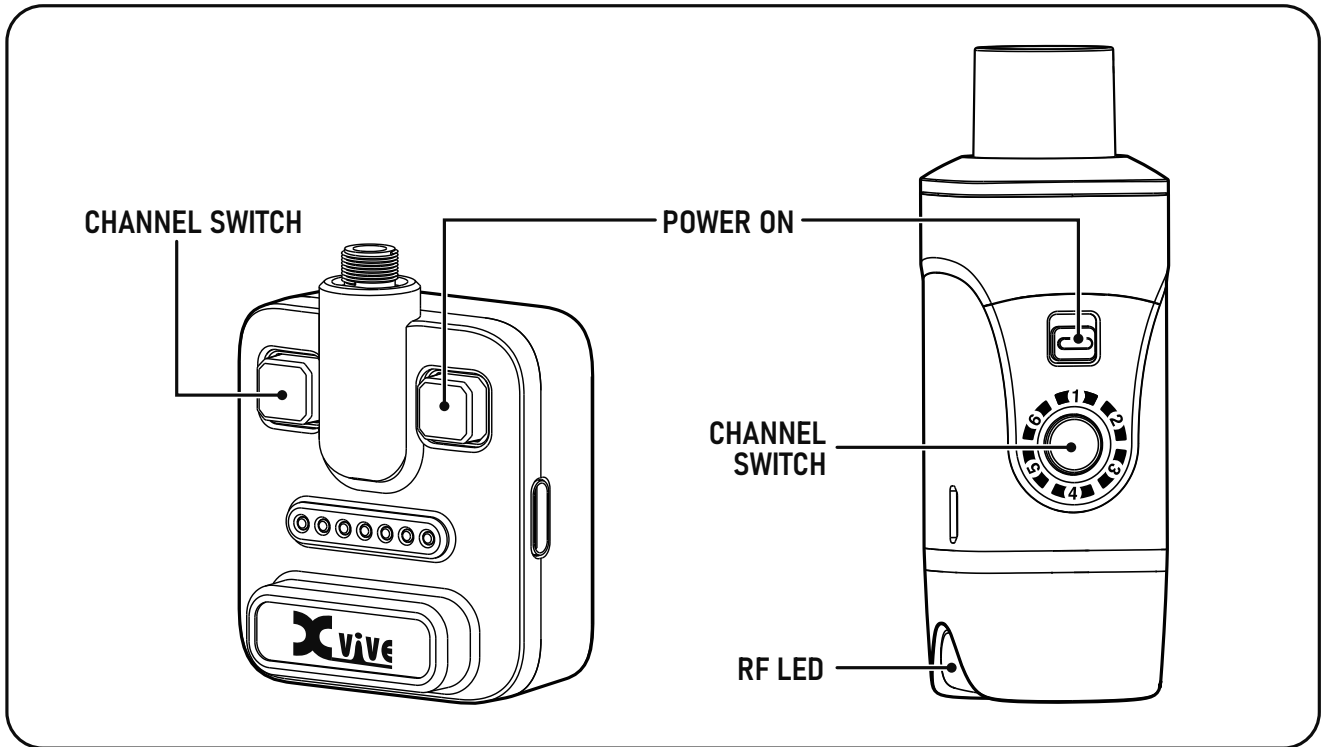


3. Install the clip on the violin body and adjust the microphone position



4. Plug in the receiver





POWER ON

Press and hold the power button for 3 seconds to power on or off. When power is on, the channel indicator will light up.

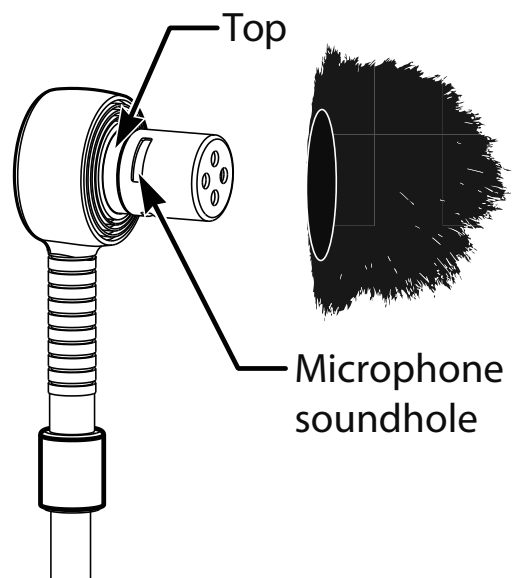
PAIR TRANSMITTER AND RECEIVER

Wireless systems have six channels. Use the channel switch button to change the channel.

Set the Receiver and the Transmitter to the same channel. The green LED on the receiver will always be on when the connection is successful.

FOAM WINDSCREEN AND FUR WINDSHIELD

Using the foam windscreen can protect the microphone from dust and liquids. When using wireless system outdoors in areas with strong wind, the fur windshield removes noise and distortion from your sound. Make sure to install it to the top of the microphone end to prevent the windshield from entering the microphone soundhole.



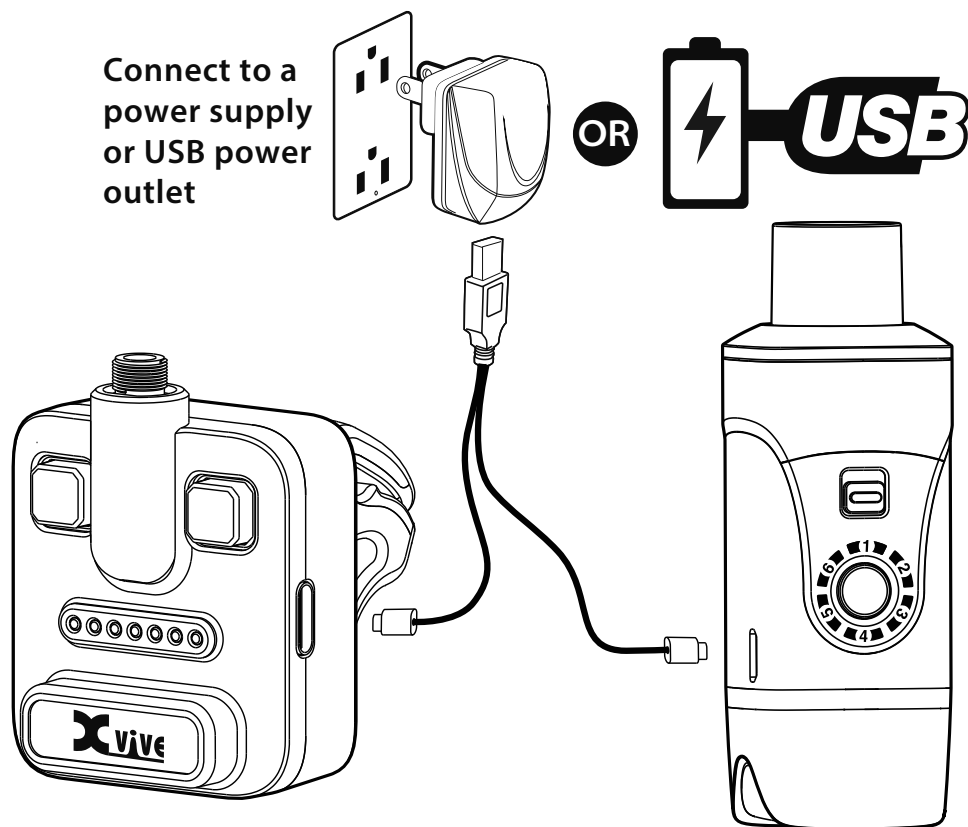
QUICK START

BATTERIES AND CHARGING

The wireless system comes with a dual USB charging cable, which charges the transmitter and the receiver at the same time. Plug it into any 5V / 2A USB charger adapter or USB power source.

Note: Turn off the power before charging. When the unit is fully charged, the red power LED will turn off. Do not use wireless system while charging, as this may reduce your battery life.

- * The battery is low and charging is required when the red LED is flickering.
- * Always store at room temperature.
- * When storing the unit for long periods, please check the battery charge level regularly and charge if necessary.



CHARGING TIMES

30 min

60 min

150 min

BATTERY LIFE

1 hour

2 hours

5 hours

POWER STATUS LED:

LED off = 100% ~ 30%

Solid red = 29% ~ 11%

Flickering red = less than 10%

2.4 GHz WIRELESS OVERVIEW AND INTERFERENCE

Wireless system operates on the 2.4 GHz ISM band, which is also used by Wi-Fi, Bluetooth, and other wireless devices. 2.4 GHz is an open band and, as such, does not require a license to be used worldwide.

Tips and Methods to Improve Wireless System Performance

- 1) Keep more than 3 metres (9.8 feet) of distance between the wireless system receiver unit and Wi-Fi transmitters, such as routers.
- 2) If you experience interference from Wi-Fi devices in the vicinity, try changing to a different channel on the wireless system transmitter and receiver.
- 3) If necessary, shorten the distance between the transmitter and receiver units.

2.4 GHz Frequency Tables

CHANNEL 1	2402 MHz, 2480 MHz, 2482 MHz
CHANNEL 2	2408 MHz, 2472 MHz, 2474 MHz
CHANNEL 3	2416 MHz, 2464 MHz, 2466 MHz
CHANNEL 4	2434 MHz, 2440 MHz, 2442 MHz
CHANNEL 5	2427 MHz, 2448 MHz, 2450 MHz
CHANNEL 6	2422 MHz, 2456 MHz, 2458 MHz

* U2 1~4 channels are the same as U3/U3C/U4/U7/U8/U9 1~4 channels; U2, U3/U3C/U4/U7/U8 and U9 can be used with max. 6 sets at a time

TROUBLESHOOTING

No Sound

- Check that the wireless system Receiver's RF LED is illuminated.
- Check that the microphone is connected and receiving signal from the wireless system Transmitter.
- Check that the power switches are turned on, both on the Transmitter and the Receiver.
- Ensure that the Transmitter and Receiver are set to the same channel.
- The Receiver can be paired with only one Transmitter at a time.

Sound too low

- Adjust the microphone position.
- Increase the gain on the mixer.

Signal instability: RF LED flickering, or off completely

- See, "Tips and methods to improve wireless system performance" on page 20.

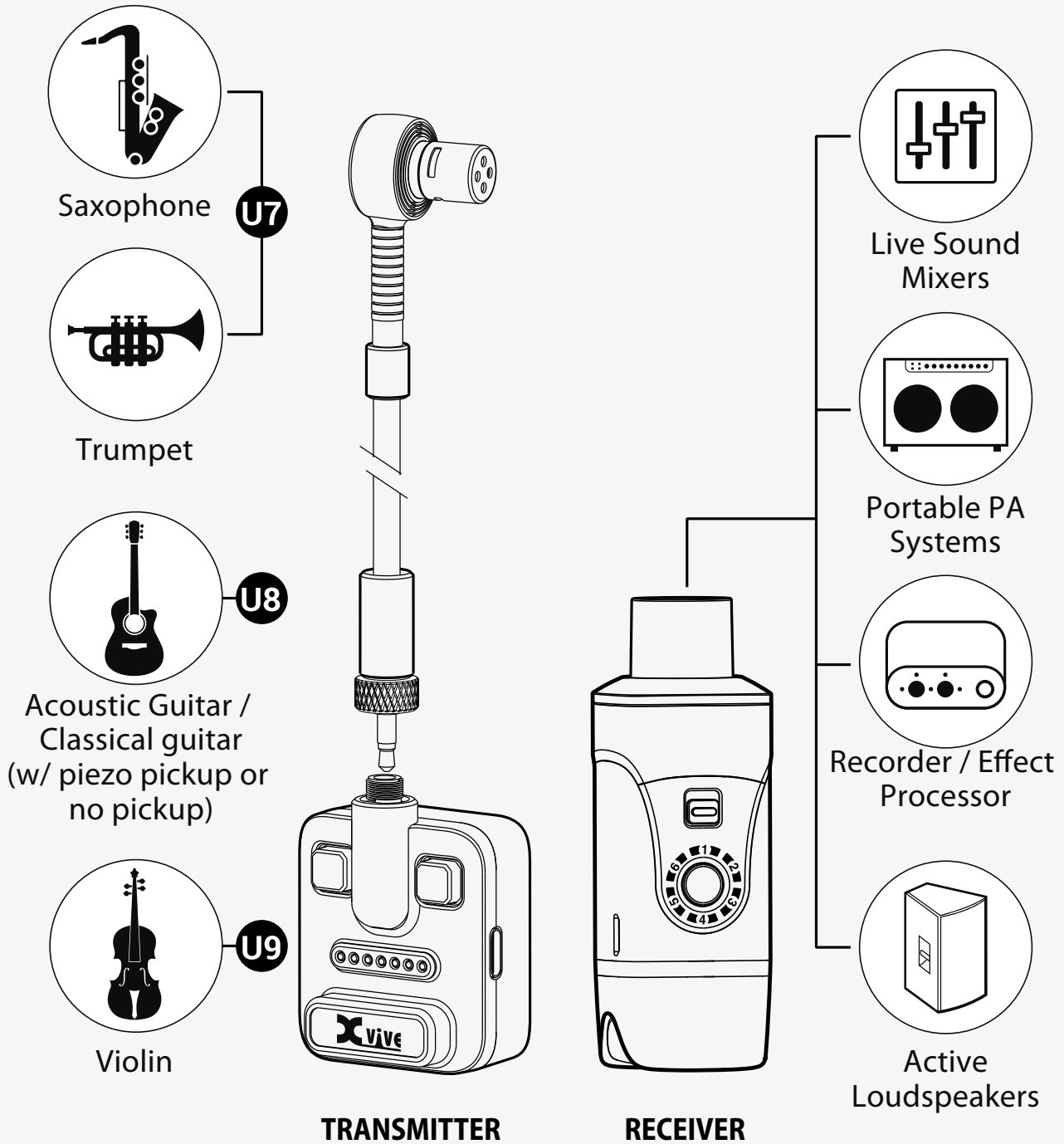
Unable to switch the channel

- The channel switch locks after 15 seconds. Double-click the channel button to unlock and reset.

Multiple connections

- One Transmitter can be connected to two or more Receivers.

APPLICATION EXAMPLES



WIRELESS SYSTEM

U7 Saxophone and Trumpet Wireless System

U8 Acoustic Guitar Wireless System

U9 Violin Wireless System



SHENZHEN FZONE TECHNOLOGY CO., LTD.
2nd floor, Building 12, Xicheng Industrial Area, Xixiang Town,
Baoan District, Shenzhen Guangdong China. 518101
E-mail: support@xvive.com Tel: +86-755-2786 6639
www.xvive.com

MADE IN CHINA