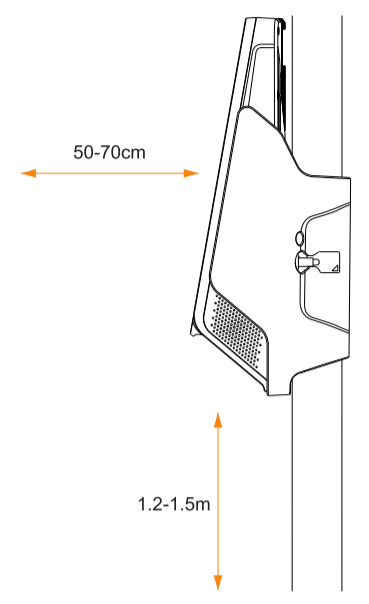


Facial recognition

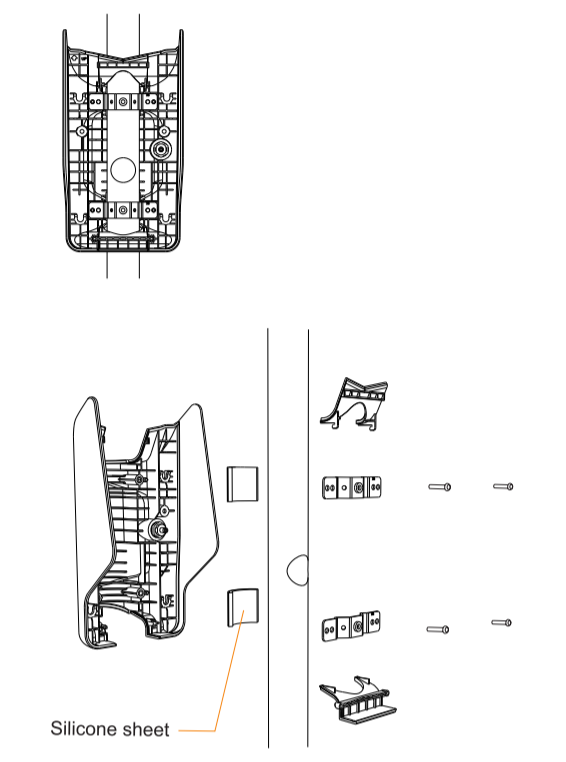


In order to achieve the best facial recognition effect, it is recommended that the height of the device be 1.2-1.5m, and the distance of the face be 50-70cm.

Note: The height of personnel in different regions may be different, so the actual height setting needs to be adjusted according to the actual situation of each region.

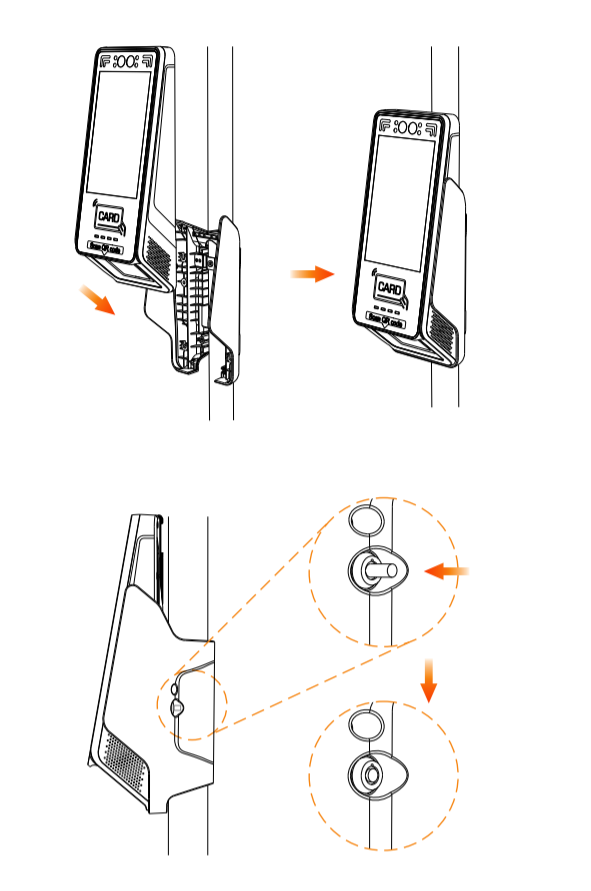
Bracket installation

- 1: Install silicone sheet to attach the pipe and bracket.
 - 2: Use screws to secure the fixed bracket on the pipe.
 - 3: Install block plates on the upper and lower brackets.
- Notes:**
 1: Different apertures are matched by different pieces of iron. Please select the appropriate iron sheet according to the actual situation.
 2: The two block plates are different, please install them in the appropriate position.
 3: If the silicone sheet is too large, you can cut it slightly.



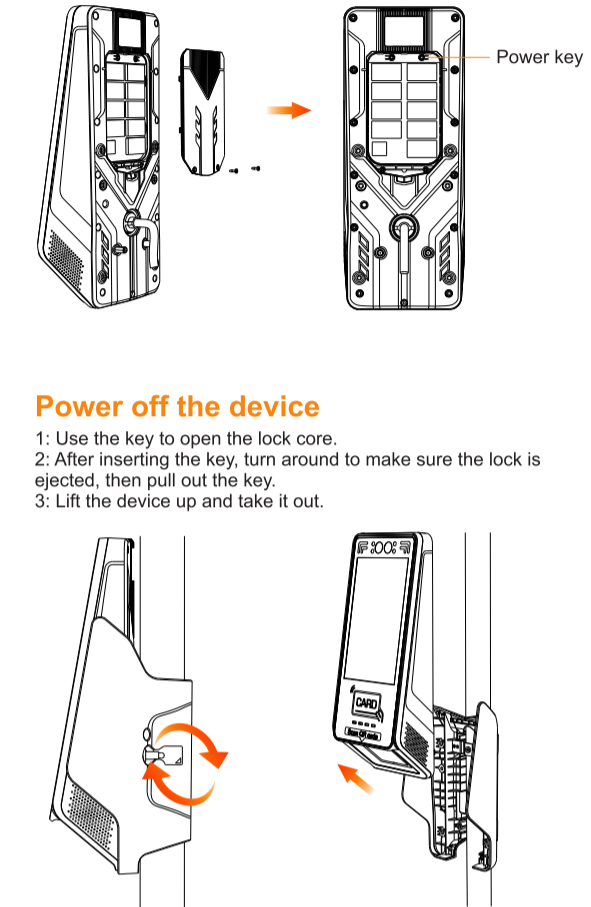
Boot up the device

- 1: connect the corresponding interface according to the central conneter.
 - 2: Install the device vertically, slide it on the bracket.
 - 3: Lock the key core on the bracket.
- Notes:**
 The central conneter should be plugged in before installing the device.



Boot up the device(Reserve)

- 1:connect the corresponding interface according to the central conneter.
 - 2:take out the card cover , the power switch will be shown.
 - 3:The button on the right is the power switch.
- Notes:**
 1:The central conneter should be plugged in before installing the device.
 2:The power key is only for the convenience of developers.

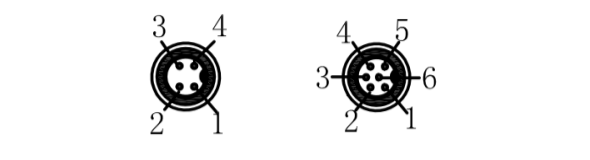


Power off the device
 1: Use the key to open the lock core.
 2: After inserting the key, turn around to make sure the lock is ejected, then pull out the key.
 3: Lift the device up and take it out.

Central Conneter

During the device assembly,the conneter will be shown in the back-casing.
 Several signals, ports and power go through it, as detailed for information on the following illustration

Note: The device is using M12 aviation connector.



Group	Function	No	Color	Name
A	Power Input (Red)	1	Blue	DC+
		2	Brown	DC+
		3	Yellow	DC-
		4	Black	DC-
B	RS232+Relay (Red)	1	White+Orange	NO
		2	Red	COM
		3	Orange	NC
		4	White+Green	TX
		5	Green	RX
		6	Black	GND
C	RS485+CAN (Black)	1	Blue	H
		2	Brown	L
		3	Yellow	485B
		4	Black	485A
D	WG IN/OUT (Black)	1	Red	WG IN-D0
		2	Orange	WG IN-D1
		3	Black	GND
		4	White+Green	WG OUT-D0
		5	Green	WG OUT-D1
		6	NC	

Accessories

Main Device	1Set
User Guide	1Volume
SiliconeSheet	2Pieces
Metal bracket	4Pieces
Key	1Pieces
M4*12 Screws	4Pieces
25.5MM Drill	1Pieces

Before using the smart terminal, ensure that all the accessories above are included in the package.

If you have any problems, please contact the services provider of the distributors.

Statements
 The Company does not assume responsibilities for the following actions:
 Damages caused by use and maintenance without complying with the conditions specified in this guide.
 The Company does not assume any responsibilities for the damages or problems caused by optional items or consumables (rather than the initial products or approved products of the company). The customer is not entitled to change or modify the product without our consent.
 The product's operating system supports official system updates, but if you change the operating system into a third party ROM system or alter the system files by system cracking, it may cause system instability and security risks and threats.

Disclaimer
 As a result of product upgrading, some details in this document may not match the product, and the actual product shall govern. The Company reserves the right of interpretation of this document. The company also reserves the right to alter this specification without prior notice.

Telpo



T20

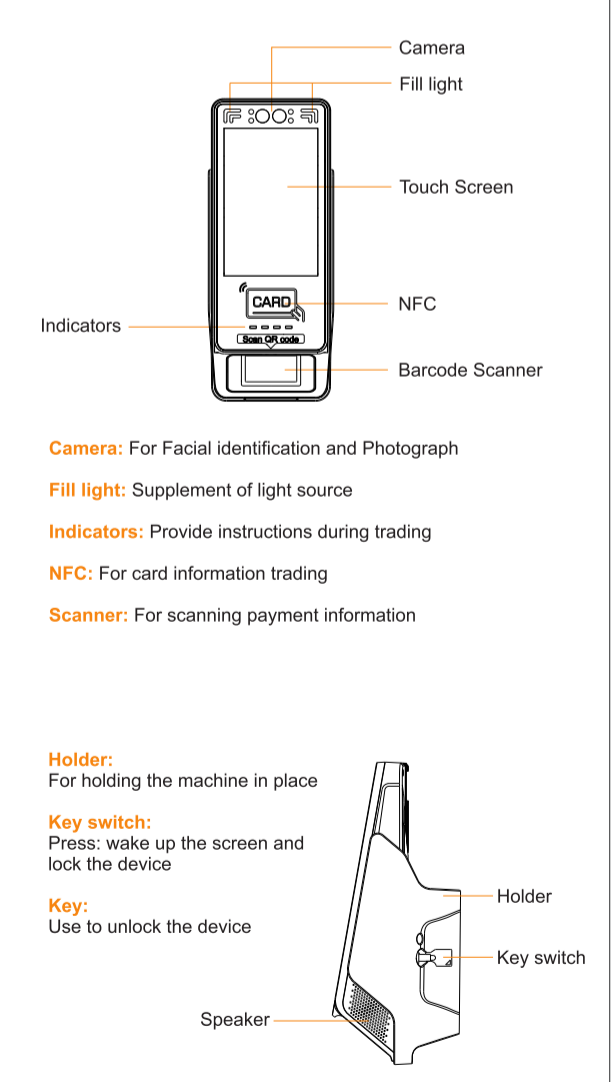
TICKET VALIDATOR

User Guide

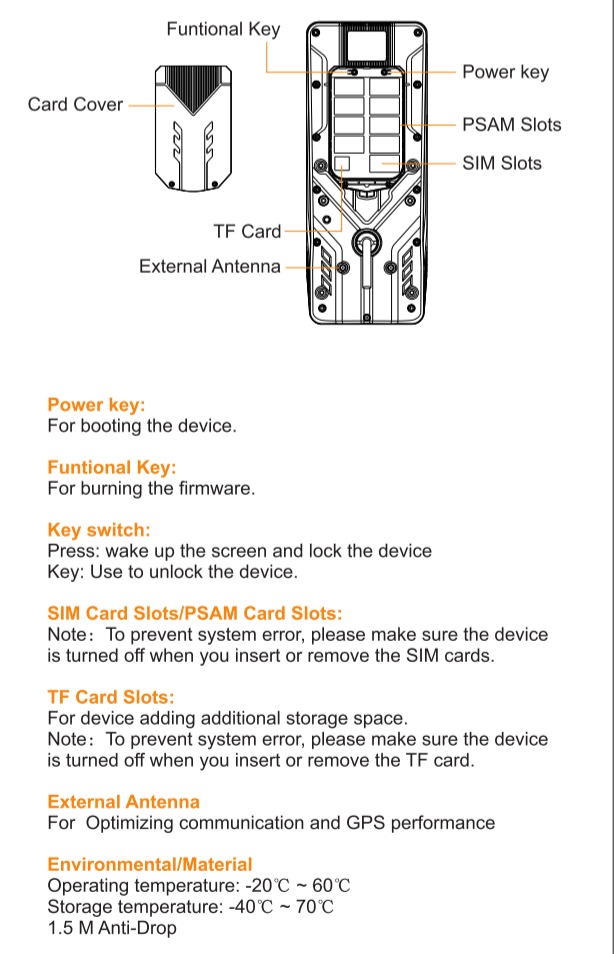
Specification

OS	Android 11
Processor	Quad-Core 2.0GHz
Memory	2GB DDR, 16GB eMMC, Ext. TF card slot 2GB DDR, 8GB eMMC(Optional)
Display	7-inch, 720*1280
Keys	2" Functional keys
Contactless Card Reader	ISO14443 Type A/B, Mifare EMV Contactless L1, Paywave, Paypass (Optional)
SIM Slots	1 SIM
SAM Slots	4 SAMs 8 SAMs (Optional)
Communications	LTE/WCDMA/GPRS/WIFI/Bluetooth
GPS	Built-in
External Antenna (Optional)	Support GNSS/LTE/WCDMA/GPRS
LED Status Indicators	Green/Yellow/Red/Blue
Camera(Optional)	Single-lens Camera (RGB), 2MP Dual-lens Camera (RGB+IR), 2MP+1.3MP (Optional) 3D Depth Sensing Camera (Optional)
Peripheral Ports	1 Micro USB 1 DC Charger, 1 Relay, 4 GPIO (2x In, 2x Out), 1 FMS(CAN), 1 RS485, 1 RS232, 1 USB, 1 Ethernet Standard POE (Optional) Non-Standard POE:12V/24V (Optional)
Built-in 1D/2D Barcode Reader	Soft Decoding Hard Decoding(Optional)
Switch	Key switch
Audio	Digital Audio Speaker
Power Supply	DC 9V~40V
Bracket (Optional)	Support

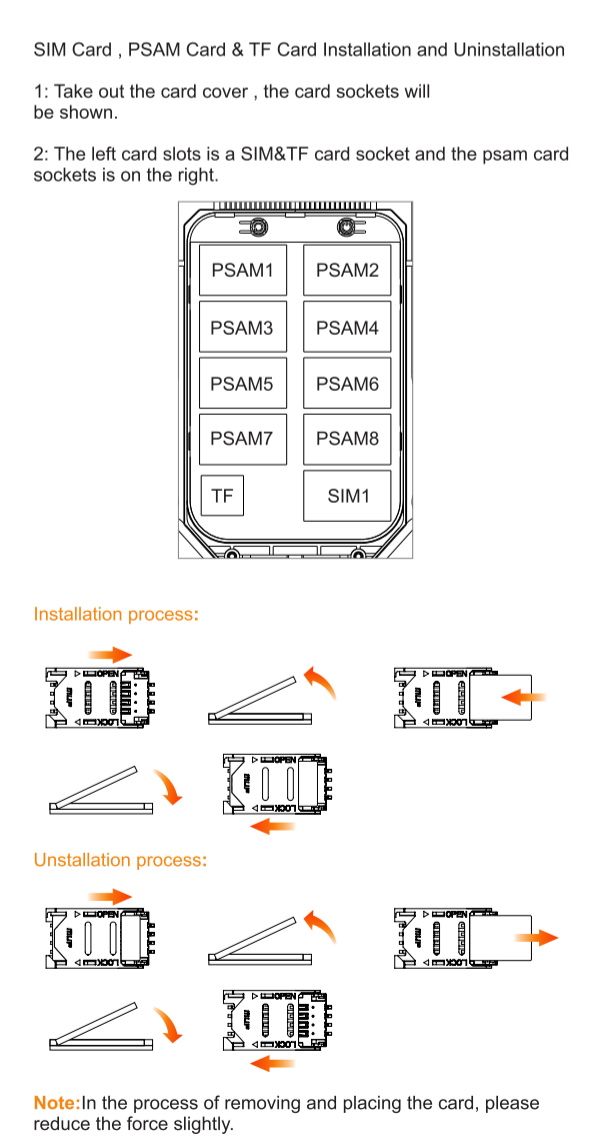
Appearance



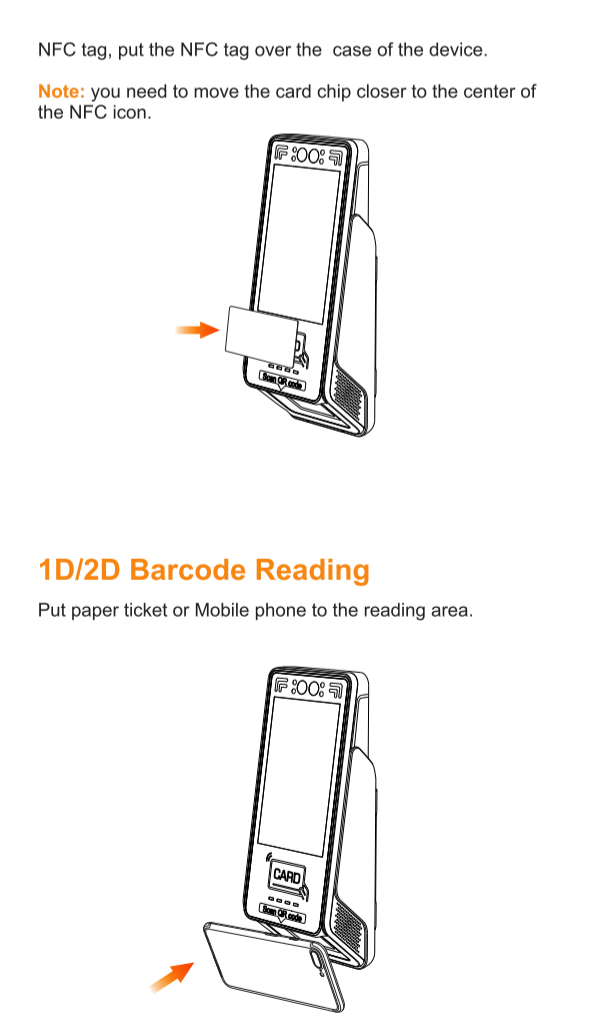
SIM Card & TF Card Installation



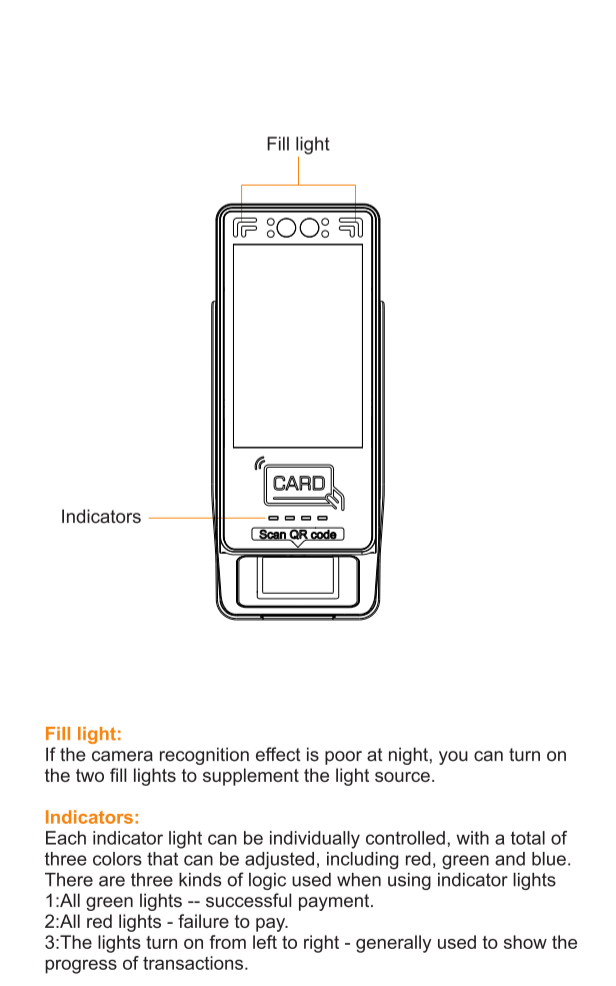
Card Reading



Card Reading



Fill light & indicator adjustment



Ticket Validator

Any Changes or modifications not expressly approved by the party responsible for compliance could void the user's authority to operate the equipment.

This device complies with part 15 of the FCC Rules. Operation is subject to the following two conditions: (1) This device may not cause harmful interference, and (2) this device must accept any interference received, including interference that may cause undesired operation.

Note: This equipment has been tested and found to comply with the limits for a Class B digital device, pursuant to part 15 of the FCC Rules. These limits are designed to provide reasonable protection against harmful interference in a residential installation. This equipment generates, uses and can radiate radio frequency energy and, if not installed and used in accordance with the instructions, may cause harmful interference to radio communications. However, there is no guarantee that interference will not occur in a particular installation. If this equipment does cause harmful interference to radio or television reception, which can be determined by turning the equipment off and on, the user is encouraged to try to correct the interference by one or more of the following measures:

- Reorient or relocate the receiving antenna.
- Increase the separation between the equipment and receiver.
- Connect the equipment into an outlet on a circuit different from that to which the receiver is connected.
- Consult the dealer or an experienced radio/TV technician for help.

This equipment complies with FCC radiation exposure limits set forth for an uncontrolled environment. This equipment should be installed and operated with minimum distance 20cm between the radiator& your body.

This transmitter must not be co-located or operating in conjunction with any other antenna or transmitter.