

User Manual

Facial Recognition Terminal

Model: Edge Point

Table of Contents

Read me first	3
Getting started	6
Device layout	6
Package contents	8
NFC Card Reading	9
Smart Card Reading	9
Connect & transfer	10
Wi-Fi networks	10
Turn Wi-Fi power on/off	10
Connect to networks	10
Bluetooth	11
Turn Bluetooth power on/off.....	11
Connect devices	11
Airplane mode	11
Copyright Information.....	12

Read me first

This device provides mobile communication and media services using **Telpo's** latest standards and technological expertise. This user manual and the information available contain details about the device's functions and features.

-

Please read this manual before using the device to ensure safe and proper use.

-

Descriptions are based on the device's default settings.

-

Some content may differ from your device depending on the region, service provider, or device's software.

- **Telpo** is not liable for performance issues caused by apps supplied by providers other than **Telpo**.

- **Telpo** is not liable for performance issues or incompatibilities caused by edited registry settings or modified operating system software. Attempting to customisethe operating system may cause the device or apps to work improperly.

-

Software, sound sources, wallpapers, images, and other media provided with this device are licensed for limited use. Extracting and using these materials for commercial or other purposes is an infringement of copyright laws. Users are entirely responsible for illegal use of media.

-

You may incur additional charges for data services, such as messaging, uploading and downloading, auto-syncing, or using location services. To avoid additional charges, select an appropriate data tariff plan. For details, contact your service provider.

-

Modifying the device's operating system or installing software from unofficial sources may result in device malfunctions and data corruption or loss. These actions are violations of your **Telpo** licence agreement and will void your warranty.

Use the Smart Biometric Terminal in the environment with the temperature between - 5°C and 45°C, otherwise, it may damage your Smart Biometric Terminal. It can be operating under 2000m.

Hereby, Telepower Communication Co.,Ltd declare that the radio equipment type Smart Biometric Terminal is compliance with Directive 2014/53/EU.

The product shall only be connected to a USB interface of version USB2.0 or higher and that the connection to a power USB is prohibited.

Caution:

For Adapter: Shall be installed near the equipment and shall be easily accessible.

To prevent possible hearing damage, do not listen at high volume levels for long periods.

Only can use the Power Supply as below:

Manufacturer: SHEN ZHEN CITY HONGBEN ELECTRONIC CO.,LIMITED

Model Name: HB24F-xxxxyyzSPA

Rated Input & Output: Input: 100-240V ~ 60Hz 0.6A Output:

9V=2.5A / 12V=2A

The plug could be disconnected from adapter.

FCC Caution.

§ 15.19 Labelling requirements.

This device complies with part 15 of the FCC Rules. Operation is subject to the following two conditions: (1) This device may not cause harmful interference, and (2) this device must accept any interference received, including interference that may cause undesired operation.

§ 15.21 Information to user.

Any Changes or modifications not expressly approved by the party responsible for compliance could void the user's authority to operate the equipment.

§ 15.105 Information to the user.

Note: This equipment has been tested and found to comply with the limits for a Class B digital device, pursuant to part 15 of the FCC Rules. These limits are designed to provide reasonable protection against harmful interference in a residential installation. This equipment generates uses and can radiate radio frequency energy and, if not installed and used in accordance with the instructions, may cause harmful interference to radio communications. However, there is no guarantee that interference will not occur in a particular installation. If this equipment does cause harmful interference to radio or television reception, which can be determined by turning the equipment off and on, the user is encouraged to try to correct the interference by one or more of the following measures:

- Reorient or relocate the receiving antenna.
- Increase the separation between the equipment and receiver.
- Connect the equipment into an outlet on a circuit different from that to which the receiver is connected.
- Consult the dealer or an experienced radio/TV technician for help.

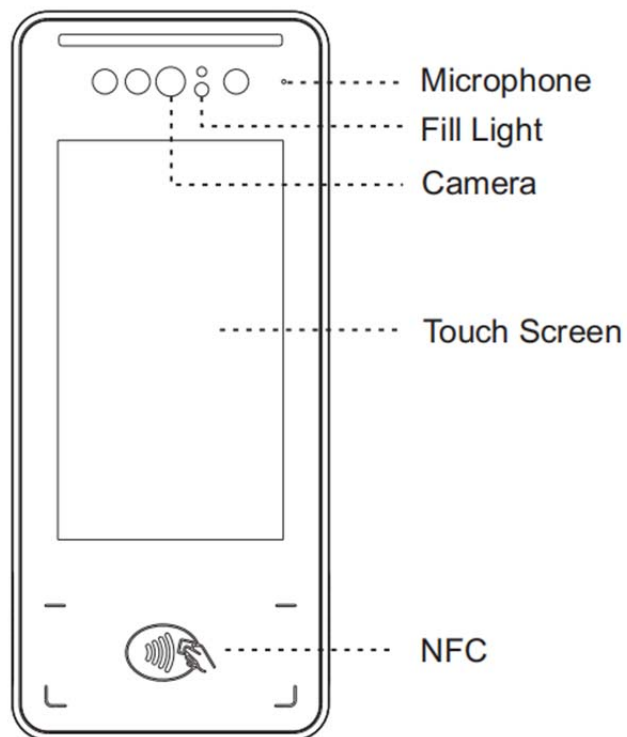
***RF warning for Mobile device:**

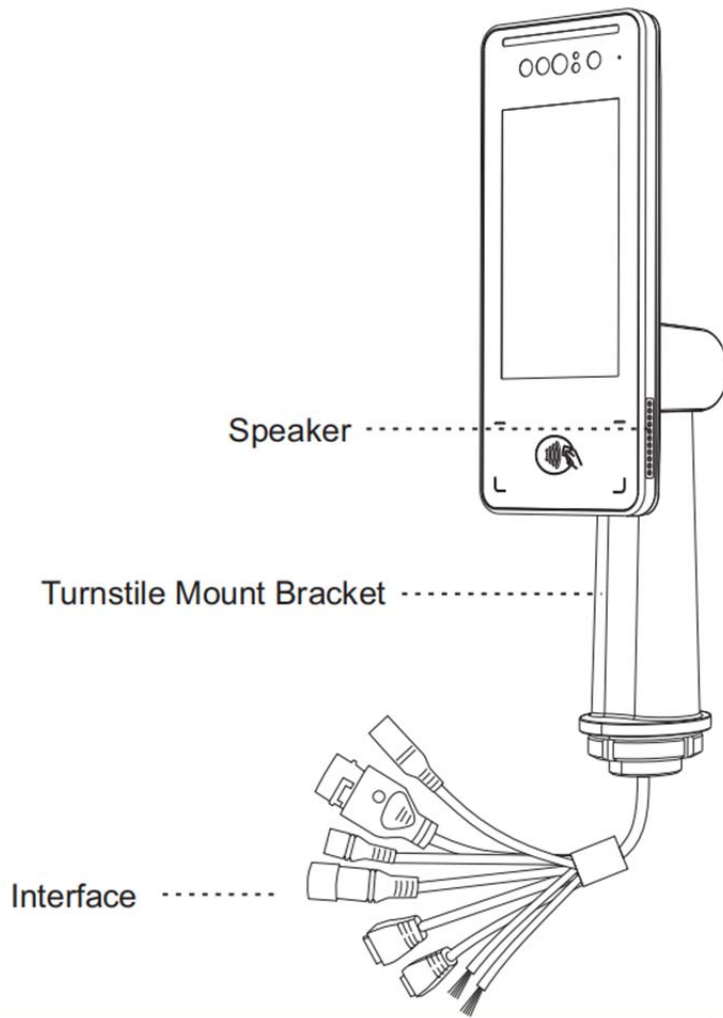
This equipment complies with FCC radiation exposure limits set forth for an uncontrolled environment. This equipment should be installed and operated with minimum distance 20cm between the radiator & your body.

Getting started

Device layout

The following illustration outlines your device's primary external features.





Package contents

Check the product box for the following items:

- Main Device
- Power Adapter
- USB Cable
- Battery
- User Manual

- The items supplied with the device and any available accessories may vary depending on the region or service provider.
- The supplied items are designed only for this device and may not be compatible with other devices.
- Appearances and specifications are subject to change without prior notice.
- You can purchase additional accessories from your local retailer. Make sure they are compatible with the device before purchase.
- Availability of all accessories is subject to change depending entirely on manufacturing companies. For more information about available accessories, please contact us.

NFC Card Reading

CE

"XXXX declares that this Card Reader is in compliance with the essential requirements and

other relevant provisions of Directive 2014/53/EU.

Importers: **Telepower Communication Co., Ltd.**

Address: : Room 201 & Room 203 at 2nd Floor, Room 502 & Room 504 at 5th Floor, Building 5 , Zone A, Hantian Technology Town, ShenHai RD. No.17, GuiCheng Street, Nanhai District, Foshan City, Guangdong, China.

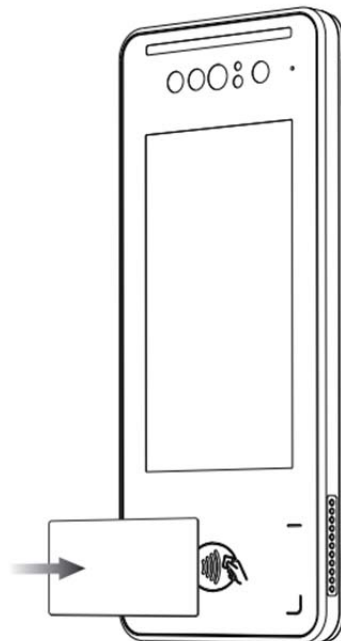
For the full RED DoC file, Please check the attachment.

Operation frequency: 13.56MHz, Max output: 420mW

1. Put the NFC card under the head of the device and hold

Smart Card Reading

1. Open the rubber stopper, and then insert the smart card to the slot, the chip of the smart card should face up



Connect & transfer

Wi-Fi networks

Wi-Fi provides wireless Internet access over distances of up to 300 feet. To use your device's Wi-Fi, you

need access to a wireless access point or "hotspot."

The availability and range of the Wi-Fi signal depends on a number of factors, including infrastructure and

other objects through which the signal passes.

WiFi 2.4G: Operation frequency: 2400MHz~2483.5MHz, Max output: 31.84mW

WiFi 5G RLAN: Operation frequency: 5150MHz~5350MHz,5470MHz~5725MHz,
Max output:11.46mW

Turn Wi-Fi power on/off

Find it: **Settings** > **Network & internet** > **Wi-Fi**, then touch the Wi-Fi switch to turn it on.

Note: To extend battery life, turn the Wi-Fi switch off when you're not using it.

Connect to networks

To find networks in your range:

1. Settings > **Network & internet** > **Wi-Fi**.

Note: To show your device's MAC address and Wi-Fi settings, tap Wi-Fi preferences.

2. Make sure the switch at the top is on, then tap a found network to connect it (if necessary, enter **Network**

SSID, **Security**, and **Wireless password**, and tap **Connect**).

When your device connects, the Wi-Fi status indicator appears in the status bar.

Note: The next time your device connects to a previously accessed secured wireless network, you will not

be prompted to enter the password again, unless you reset your device to its factory default settings or you

instruct the device to forget the network.

Wi-Fi networks are self-discoverable, which means no additional steps are required for your device to connect to a Wi-Fi network. It may be necessary to provide a user name and

password for

certain closed wireless networks.

Bluetooth

Operation frequency: 2402MHz~2480MHz, Max output: 8.45mW

Turn Bluetooth power on/off

Find it: **Settings** > **Connected devices** > **Connection preferences** > **Bluetooth**, then touch the switch to turn it on.

Note: Swipe down the status bar with two fingers to quickly turn Bluetooth on or off. To extend battery life or stop connections, turn Bluetooth switch off when you're not using it.

Connect devices

The first time you connect a **Bluetooth device**, follow these steps:

1. Make sure the device you are pairing with is in discoverable mode.
2. Touch **Settings** > **Connected devices** > **Connection preferences** > **Bluetooth**.
3. Make sure the switch at the top is on, then tap **Pair new device**.
4. Tap a found device to connect it (if necessary, tap Pair or enter a passkey like 0000).

Airplane mode

Use airplane mode to turn off all your wireless connections—useful when flying.

Swipe down the status bar with two fingers, then tap **Airplane mode**.

Or tap **Settings** > **Network & internet** > **Advanced** > **Airplane mode**.

Note: When you select airplane mode, all wireless services are disabled. You can then turn Wi-Fi and/or

Bluetooth Power back on, if permitted by your airline. Other wireless voice and data services (such as calls

and text messages) remain off in airplane mode. Emergency calls to your region's emergency number can still be made.

Copyright Information

Copyright © 2022 **Telepower Communication Co.,Ltd.**

This manual is protected under international copyright laws.

No part of this guide may be reproduced, distributed, translated, or transmitted in any form or

by any means, electronic or mechanical, including photocopying, recording, or storing in any

information storage and retrieval system, without the prior written permission of **Telepower**

Communication Co.,Ltd.

Manufacturer: **Telepower Communication Co., Ltd.**

Address: Room 201 & Room 203 at 2nd Floor, Room 502 & Room 504 at 5th Floor, Building

5 , Zone A, Hantian Technology Town, ShenHai RD. No.17, GuiCheng Street, Nanhai District,

Foshan City, Guangdong, China.

