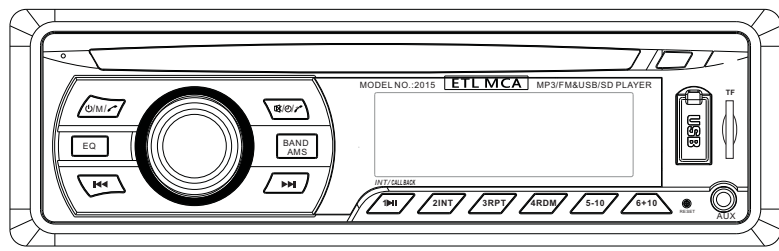


CAR AUDIO

Operation Manual

MODEL: NO.2015



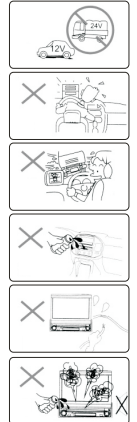
Car Multimedia

Welcome

Thanks for purchase and use our car mp3 player products. In order to ensure a proper use of this system .please read this operation instruction carefully before operating.

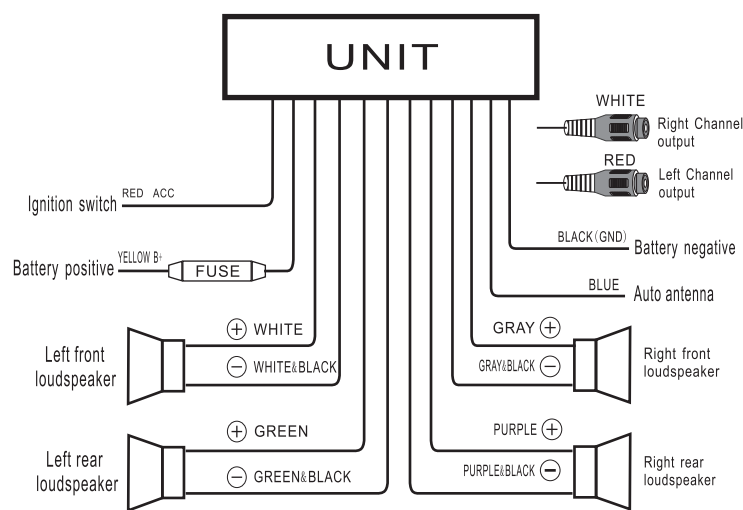
Maintenance precautions

1. This devices DC voltage is 12V. Please check the DC voltage on your car before you install the device.
2. In order to avoid electrical short circuit, please connect ground wire with battery negative,
3. Please check installation and were connection is well. After the were connection is finished, then connect negative of wire with negative of battery.
4. In order to avoid electrical short-circuit, please maintain the wire insulation.
5. In order to avoid knock down other object, please fix all of the wires.
6. When the fuse is blown,please replace the fuse which is the same specifications.
7. please use the high quality loudspeaker which impedance is 4-8Ω
8. Please choose professional to install it.



Remark: If this user manuals design specification and operation method are different with actual product, please use the product according to actual product.

Wire Connection illustration



Specification

SNR-----	65dB
Frequency Response-----	20Hz-20 KHz
Loudspeaker impedance-----	4-8Ω
Maximum Power output-----	4*50w
Tone control-----	Bass ± 7dB (100Hz) Treble ± 7dB(100hz)
FM	
FM Frequency-----	87.5MHz-108MHz
Sensitivity-----	25dB
Selectivity-----	60dB
Resolution-----	35dB
AM-----	522KHz-1620KHz

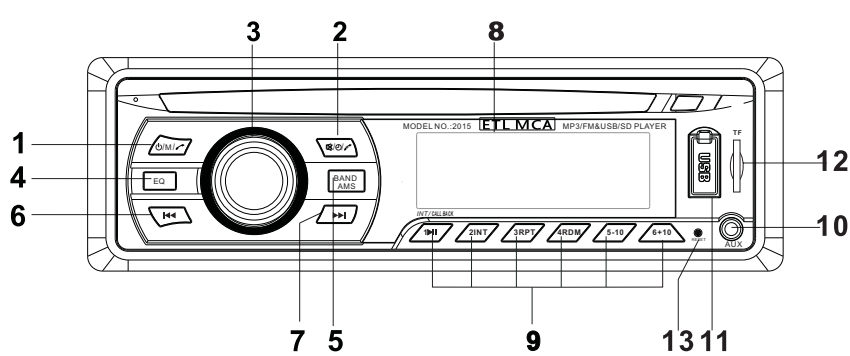
Bluetooth detailed feature description

1. automatically identify and connect your mobile phone
2. can wireless play MP3 on a mobile phone to the car stereo
3. stereo phone ,listening to music
4. call priority, automatically switches to the ringtone
5. support call ID/hands-free answer/reject calls
6. support for private calls

Function introduction

1. Built-in Bluetooth Function ;A2DP,AVRCP Hand Free protocol;
2. Dynamic screen color display instant messaging;
3. Support Audio Format:MP3/WMA/FLAC/WAV;
4. Support USB/SD/MMC card;
5. Support Large Capacity removable storage device;
6. Support multiple EQ mode switch;
7. Power-off with Auto-memory store function;
8. FM/AM radio Support “Fine tuning, semi - automatic channel search, automatic channel search;” automatic saved after automatic search complete;
9. **Switching the radio frequency**
Long press the VOL button in the FM radio mode, the screen will display the KOR or USA frequency, rotating the VOL button can switch the frequency between the KOR and USA.
10. High-Fidelity digital audio output can be an external subwoofer;
11. Numeric clock display

Panel button function description



1. Stand-by mode: short press is Power on and long press is Power on. Power-on state: short press is switch among FM/AM/BT/USB/SD/AUX IN state. Bluetooth state: short press is answering the phone. When you are calling: short press is switch between player and your mobile phone to answer the call.
2. MUTE/CLK:short press: mute function and cancel mute function. Long press: Year clock adjustment mode: after long press the MUTE to enter CLK state, displays the clock status, then Long press the MUTE/CLK—Clock Rotate to adjust through encoder. Bluetooth h status: short press is hanging up the phone.
3. SEL: short press encoder to switch among: VOL/BAS/TRE/BAL/FAD, Adjusting the encoder can use add/plus function .The adjusting parameter is: VOL:00-39 BAS:-7-00-07 TRE:-7-00-07 BAL:R7-00-L7 FAD:R7-00F-7
4. EQ: Open the EQ menu,Pop/Rock/Jazz/Class/Flat/EQ Off to select a different status EQ.

5. BND: under the USB/SD/AUX status, Short press is direct access to the (FM/AM) State.
FM/AM: short press is bank state and switch among FM/AM 1/2/3. Long press is automatic channel search function. Automatic channel search is saved as FM1/FM2/FM3/AM1/AM2/AM3, each 6 radio stations. Save a total of 18 radio stations.
6. Turn to last song
7. Turn to next song
8. Window
9. numeric keys:1)pause play.2)play each song former ten seconds.3)repeat.4)random play.5)10- function.6)10+ function FM: short press: select channel Long press: store channel.
10. AUX hole
11. USB interfaces
12. SD interfaces
13. Amy hole

Private calls

After answering, short press the POWER/MODE key that the answer mode from the Bluetooth swatches to a mobile phone answering mode. Short press the POWER/MODE key again that the Answer mode from the phone switches to a Bluetooth answering mode.

Reject calls

Short press the mute key can refuse to answer the phone.
Cut off the Bluetooth connection.
Automatically disconnect when you leave the Bluetooth device (the range of 5meters), or cut off the Bluetooth connection from the users phone.
Remote control button function description

Mode switch

Power-on state, short press the POWER/MODE key, the order is: FM/AM/BT/USB/AUX,BT(Car Bluetooth Phone). Only after connecting a Bluetooth device will display the status BT. Default is FM /AMstatus. When there are other devices, remember the status of the last time shutdown.

Connected mobile Phone

When you first connect with mobile, search to the CAR BT device and enter the PIN code. The matching password is (1234), it means connecting mobile success when the display shows CONN. At this moment press the POWER /MODE key to switch to BT status. Next time it will be automatically paired connection. Because of the large mobile phone brands in the market, system may not be compatible on all mobile phones. In the event of individual phone model and is not recognized when the Pairing is unsuccessful, please contact the product after-sales service.

Play Phone MP3

BT status ,short press the 1/P/P key to play the mobile phone MP3,short press the 1/P/P key again to pause. Press the PREV key is turn to last song, and press the NEXT is turn to next song.

Answering calls and ending calls

No matter what kind of device status, calls go to the Bluetooth mobile phone calls status. Short press the power key to answer. Short press the mute key to end the call. After ending the call, returned to the state before the call.

This device complies with Part 15 of the FCC Rules. Operation is subject to the following two conditions: (1) This device may not cause harmful interference, and (2) this device must accept any interference received, including interference that may cause undesired operation.

Caution: Changes or modifications not expressly approved by the party responsible for compliance could void the user's authority to operate the equipment.

NOTE: This equipment has been tested and found to comply with the limits for a Class B digital device, pursuant to part 15 of the FCC Rules. These limits are designed to provide reasonable protection against harmful interference in a residential installation. This equipment generates uses and can radiate radio frequency energy and, if not installed and used in accordance with the instructions, may cause harmful interference to radio communications. However, there is no guarantee that interference will not occur in a particular installation. If this equipment does cause harmful interference to radio or television reception, which can be determined by turning the equipment off and on, the user is encouraged to try to correct the interference by one or more of the following measures:

- Reorient or relocate the receiving antenna.
- Increase the separation between the equipment and receiver.
- Connect the equipment into an outlet on a circuit different from that to which the receiver is connected.
- Consult the dealer or an experienced radio/TV technician for help.