

APPROVAL SHEET

Issued No. : SLANT180901

DESCRIPTION : Chip series antenna 2.4 GHz
Bandwidth 100MHz

NOMINAL FREQ. : 2.4GHz

TAITIEN P/N : 1201-ANT-00062

TAITIEN MODEL : DN02450M31101

REVISION : 01

DATE : 07/18/2019

Approved	Checked	Prepared

CUSTOMER : _____

Customer Signature
Approved:
Date:

1.SCOPE :This specification applies to Chip series antenna

2.Rating:

Operating Temperature : $-25\text{ }^{\circ}\text{C} \sim 125\text{ }^{\circ}\text{C}$

Storage Temperature : $20\text{ }^{\circ}\text{C} \sim 25\text{ }^{\circ}\text{C}$ R.H. 65% (For Reference)

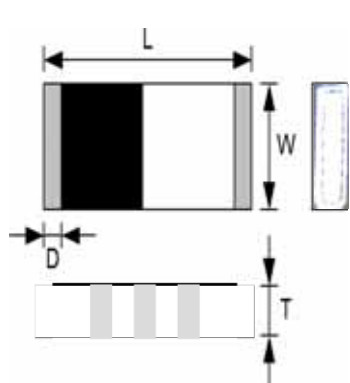
3.Marking:



4.Standard Testing Condition:

	Unless otherwise specified	In case of doubt
Humidity	Ordinary Humidity(25 to 85% RH)	60 to 70 % RH
Temperature	Ordinary Temperature(15 to 35)	20 ± 2

5.Configuration and Dimensions:

Figure	Dimensions(mm)	
	L	3.2 ± 0.2
	W	1.6 ± 0.2
	D	0.5 ± 0.2
	T	0.5 ± 0.2

TERMINAL CONFIGURATION

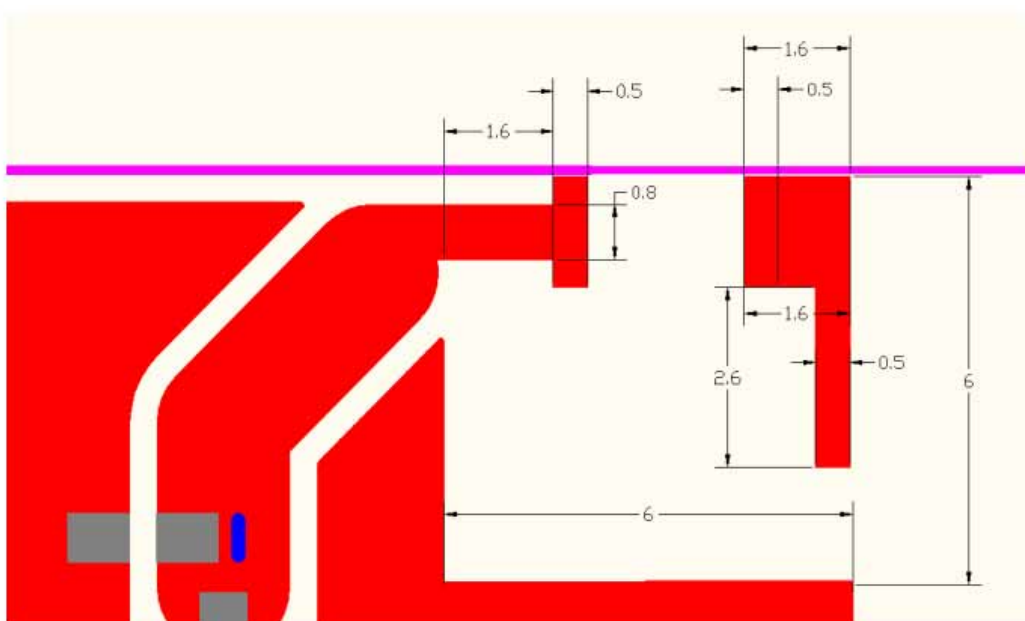
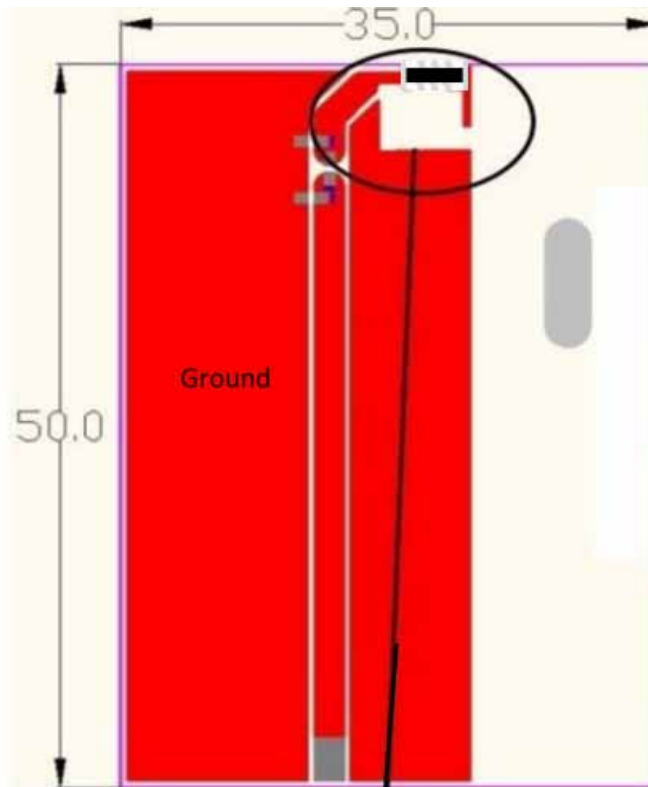


(1) Feed Termination
(2) Solder Termination

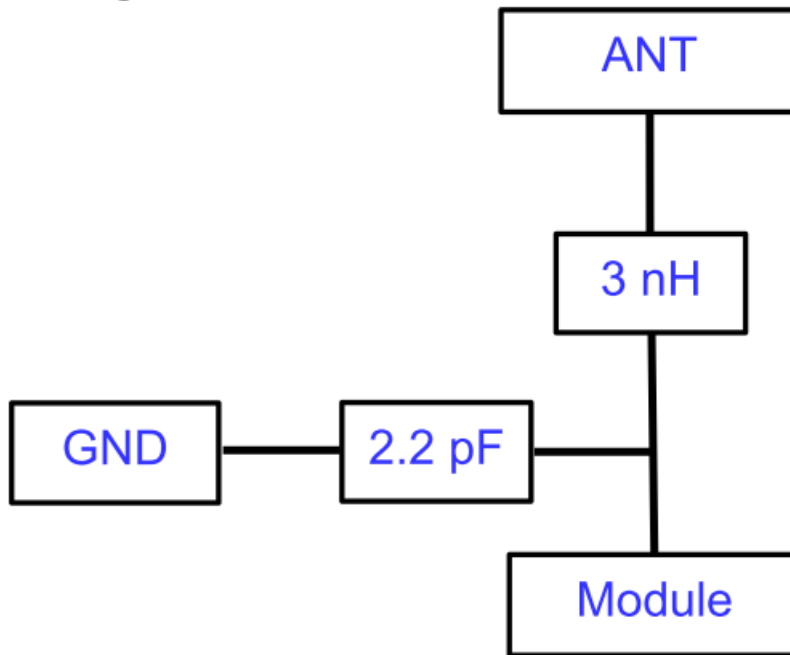
6. Electrical Characteristics:

Part No.	Impedance (Ω)	Test Freq. (GHz)	Bandwidth* (MHz)	Peak Gain* (dBi)	VSWR (max)	Polarization (Linear)
1201-ANT-00060	50	2.4	100	1~2	2	Linear

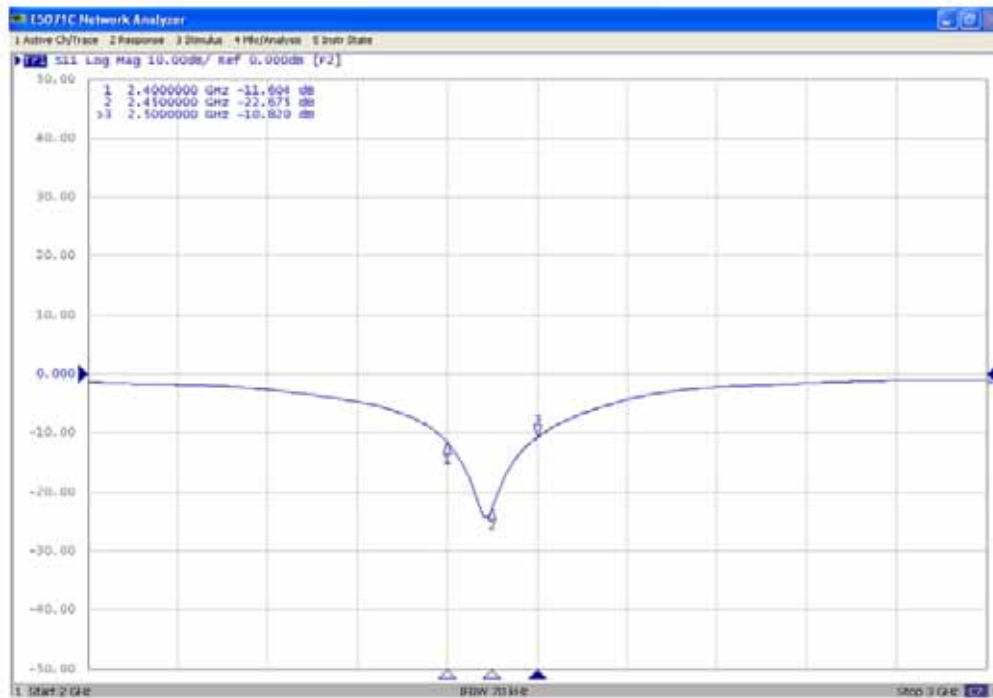
7. Dimensions and Recommended PC Board Pattern:



8. Matching Circuit:



Return Loss



9. antenna pattern pictuter

2440MHz

