

Electric Specifications

| TYPE | |
|---------------------------------|--|
| Transmitter Frequency | LTE 28:699-748MHz |
| | GSM850/WCDMA B5/LTE B5/20:824-849MHz |
| | GSM 900/WCDMA B8/LTE B8:880-915MHz |
| | DCS 1800/WCDMA B4/LTE B3/4:1710-1785MHz |
| | WCDMA B1/LTE B1:1920-1980MHz |
| | PCS 1900/WCDMA B2/LTE B2:1850-1910MHz |
| | LTEB7/38/41:2505-2565MHz |
| | LTE B40:2300-2400MHz |
| Transmitter Frequency | LTE 28:758-803MHz |
| | GSM850/WCDMA B5/LTE B5/20:858-894MHz |
| | GSM 900/WCDMA B8/LTE B8:925-960MHz |
| | DCS 1800/WCDMA B4/LTE B3/4:1805-1880MHz 2110-2155MHz |
| | WCDMA B1/LTE B1:2110-2170MHz |
| | PCS 1900/WCDMA B2/LTE B2:1930-1990MHz |
| | LTEB7/38/41:2625-2685MHz |
| | LTE B40:2300-2400MHz |
| RF-Output Power (E. I. R. P) | GSM850/900:33+/-2dbm |
| | DCS/PCS:30+/-2dbm |
| | WCDMA B1/2/4/5/8 23+/-2dbm |
| | LTE B1/2/3/4/5/7/8/20/28/38/40/41:23+/-2dbm |
| | |
| Antenna Gain(Peak Gain) | LTE B28:-6.37 |
| | GSM 850/W B5/LTE B5/20:-5.16 |
| | GSM 900/W B8/LTE B8:-4.05 |
| | DCS 1800/WCDMA B4/LTE B3/4:-2.02 |
| | PCS 1900/WCDMA B2/LTE B2:-1.4 |
| | WCDMA B1/LTE B1:-1.1 |
| | LTEB7/38/41:-2.78 |
| | LTE B40:-2.84 |
| | GPS:-2.26 |
| | BT/WIFI 2.4G:-1.11 |
| | WIFI 5G:-0.44 |
| Type of Modulation | GMSK |

Supplier information

Project Name: X6831

Company: WELLETRONICS COMMUNICATION TECHNOLOGY CO.,LTD.

Address: Floor 1, Building 8, Tongfucun Industrial Zone, Dalang Shiao,
Longhua District, Shenzhen

A11, Phase 2, Software New City, Yanta District, Xi 'an

| Antenna Name | Model | Part Number |
|--------------|----------------|---------------------|
| Main | RD992220NB17-2 | V7520A-ANT1 antenna |
| DIV | RD992220NB17-3 | V7520A-ANT2 antenna |
| BT/WIFI 2.4G | RD992220NB17-4 | V7520A-ANT3 antenna |
| WIFI 5G | RD992220NB17-4 | V7520A-ANT4 antenna |

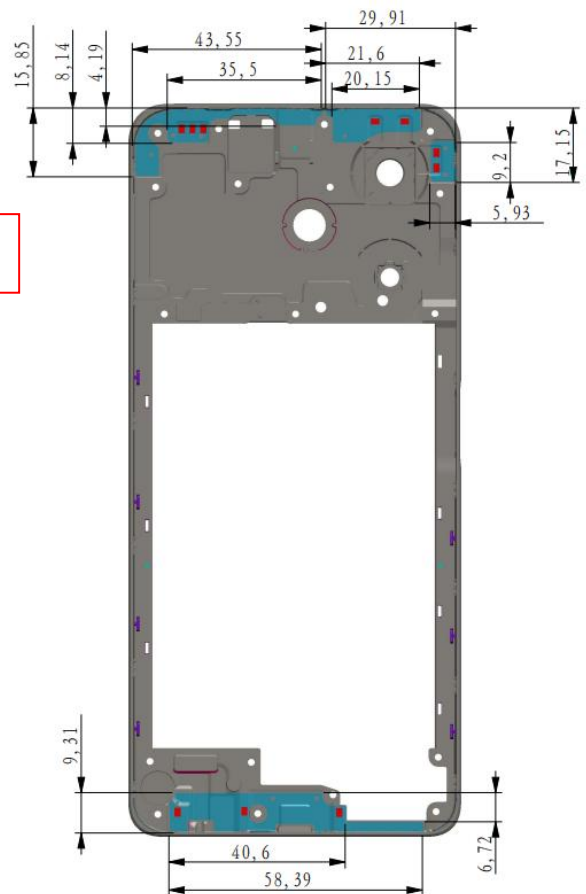
Antenna size

ANT1 :
GSM850/900/1800/1900
WCDMA 1/2/4/5/8
LTE
B1/2/3/4/5/7/8/20/28/3
8/40/41

ANT3:GPS/2.4G WIFI

ANT4:5GWIF

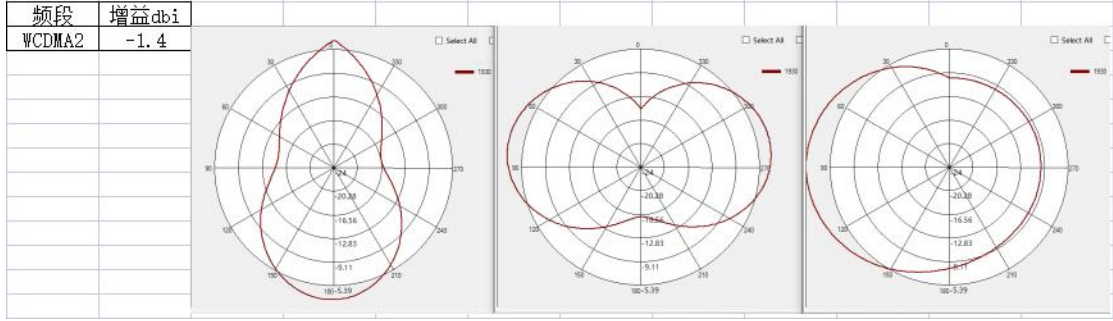
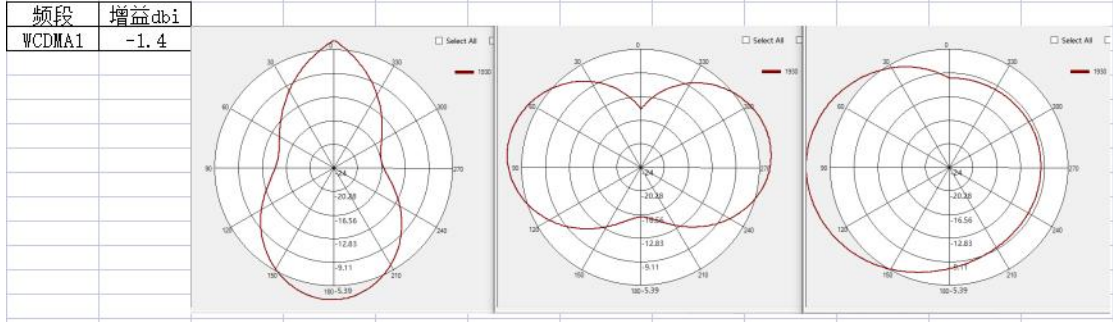
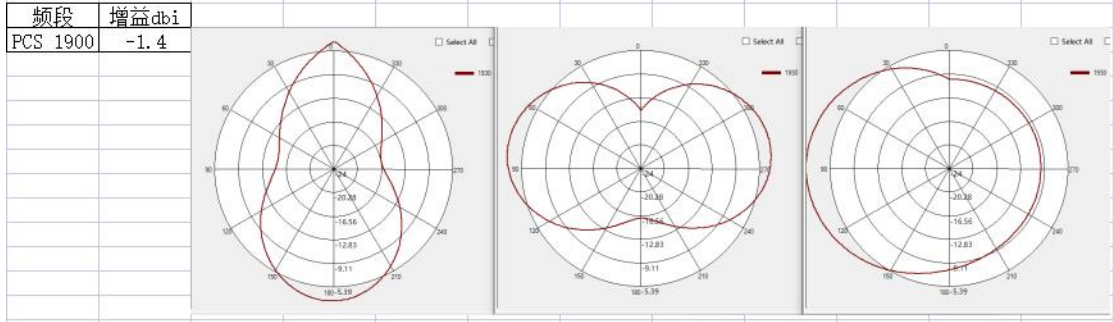
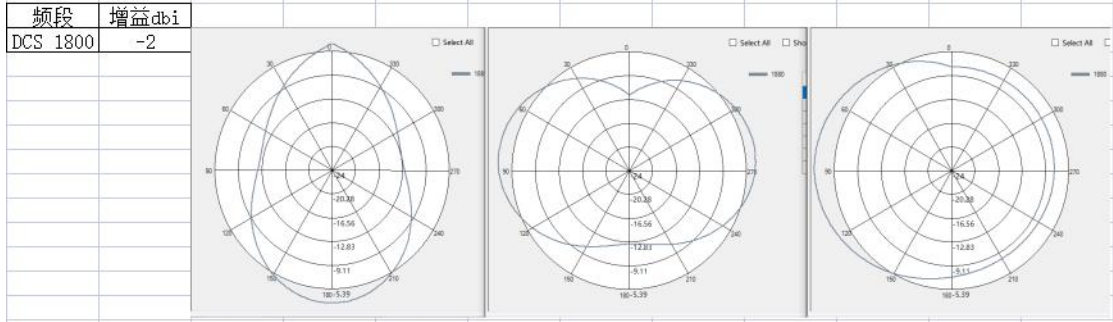
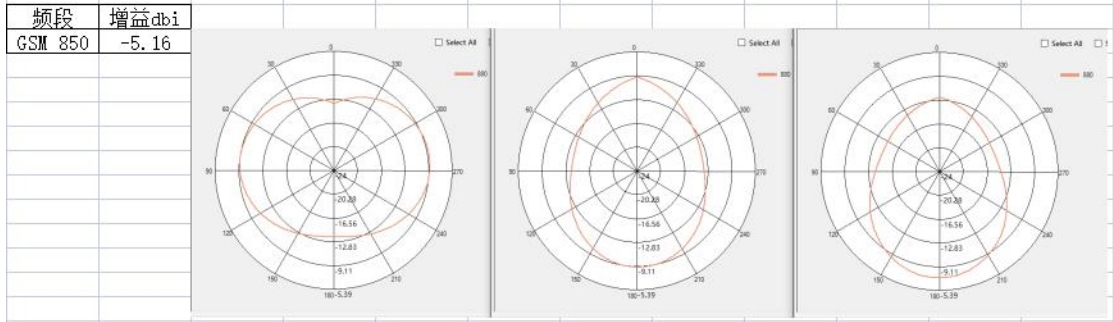
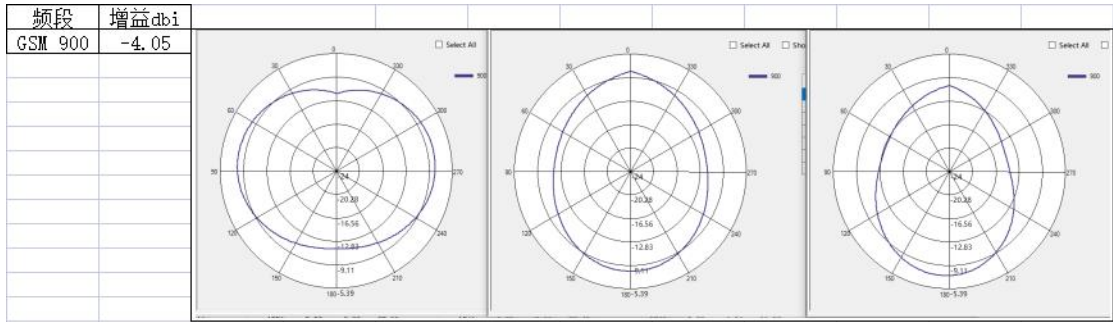
ANT2 :
GSM850/900/1800/1900
WCDMA 1/2/4/5/8
LTE
B1/2/3/4/5/7/8/20/28/3
8/40/41

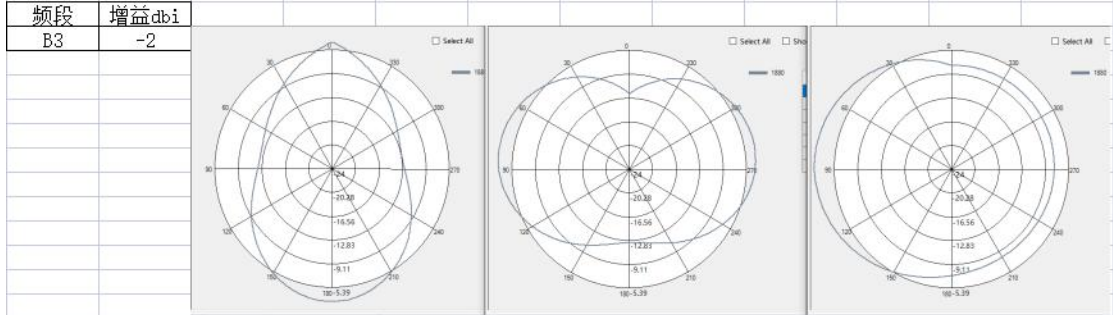
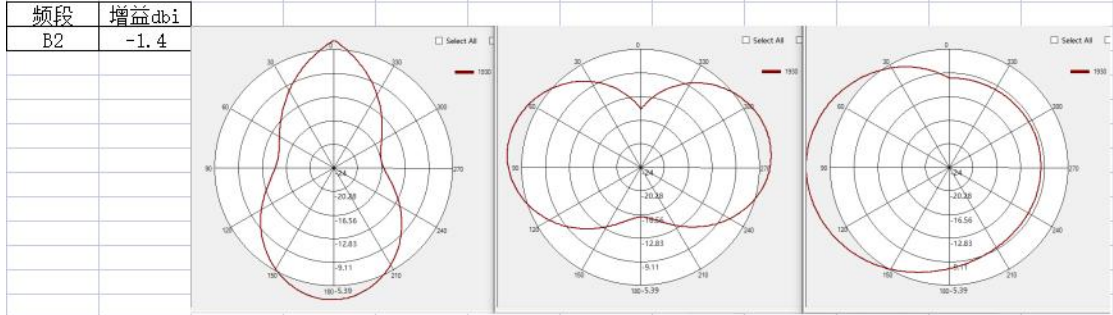
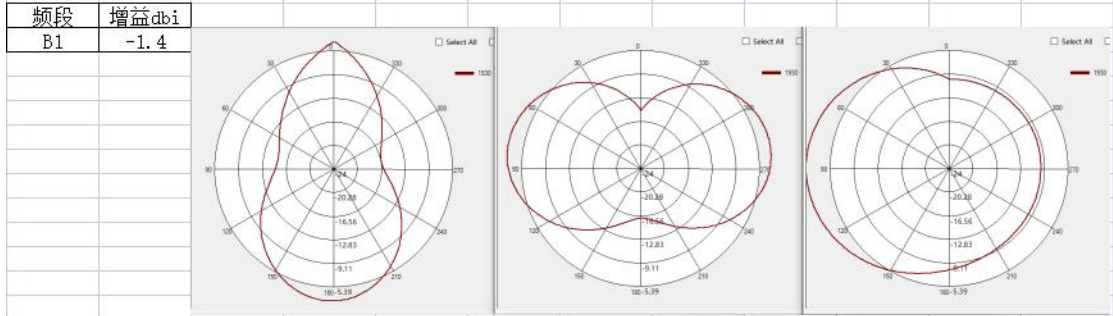
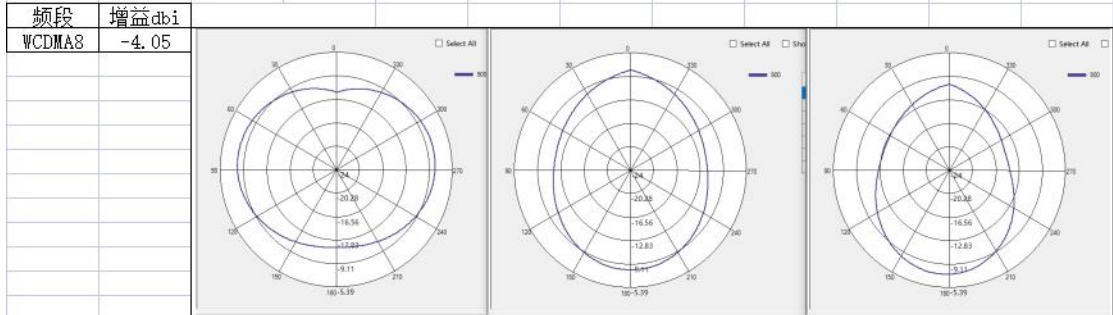
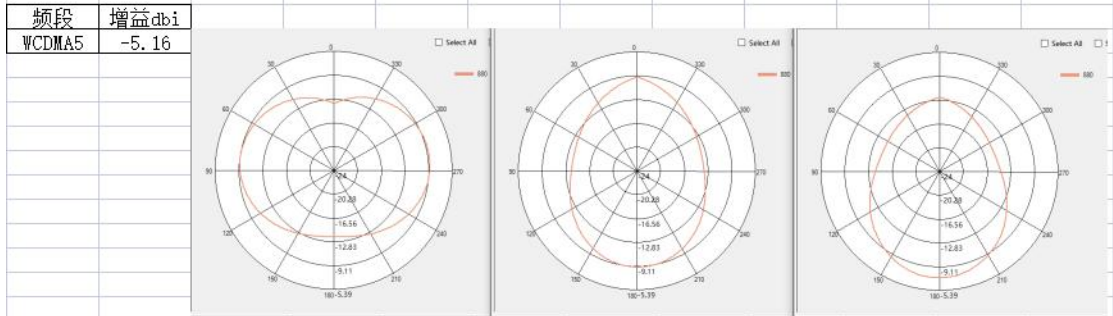
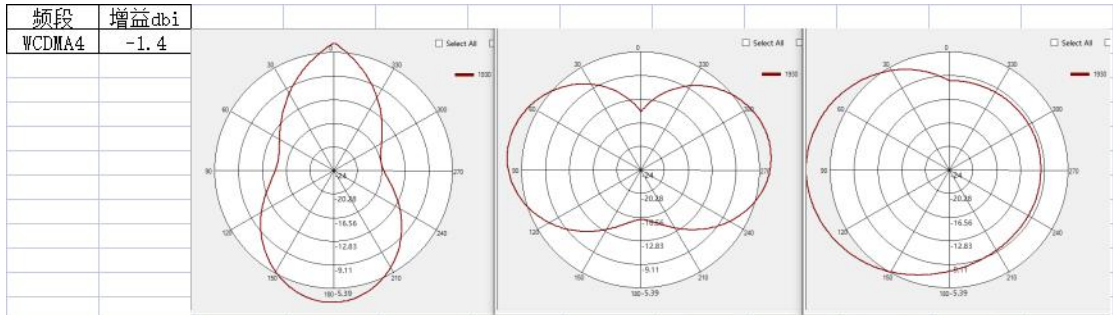


Antenna gain

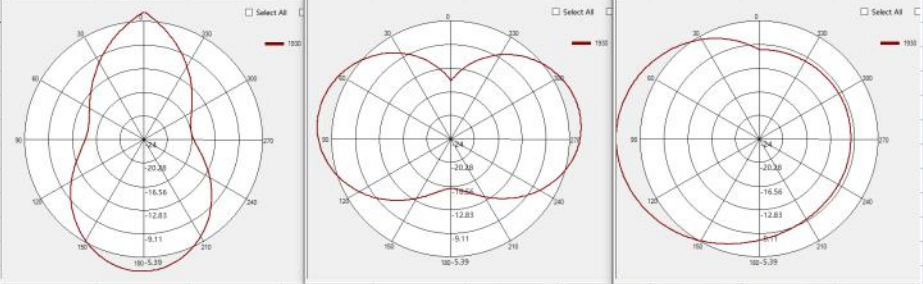
| Band | Main Antenna(dBi) | Band | Div Antenna(dBi) |
|-----------|-------------------|---------|------------------|
| | Average | | Average |
| LTE B1 | -2.5 | LTE B1 | -4.2 |
| LTE B2 | -1.84 | LTE B2 | -4.9 |
| LTE B3 | -2.73 | LTE B3 | -4.62 |
| LTE B4 | -2.48 | LTE B4 | -4.18 |
| LTE B5 | -5.35 | LTE B5 | -6.8 |
| LTE B7 | -3.63 | LTE B7 | -0.91 |
| LTE B8 | -5.46 | LTE B8 | -7.8 |
| LTE B20 | -5.35 | LTE B20 | -9.7 |
| LTE B28 | -6.98 | LTE B28 | -8.2 |
| LTE B38 | -3.82 | LTE B38 | -3.82 |
| LTE B40 | -3.14 | LTE B40 | -3.14 |
| LTE B41 | -3.64 | LTE B41 | -3.64 |
| GSM850 | -5.35 | GSM850 | -6.8 |
| GSM900 | -5.46 | GSM900 | -7.8 |
| GSM1800 | -2.73 | GSM1800 | -4.62 |
| GSM1900 | -1.84 | GSM1900 | -4.9 |
| WCDMA 1 | -2.5 | WCDMA 1 | -4.2 |
| WCDMA 2 | -1.84 | WCDMA 2 | -4.9 |
| WCDMA 4 | -2.48 | WCDMA 4 | -4.18 |
| WCDMA 5 | -5.35 | WCDMA 5 | -6.8 |
| WCDMA 8 | -5.46 | WCDMA 8 | -7.8 |
| Band | WIFI | Band | GPS |
| | Average | | Average |
| 2.4g wifi | -1.54 | GPS | -2.26 |
| 5g wifi | -1.12 | | |

ANT1

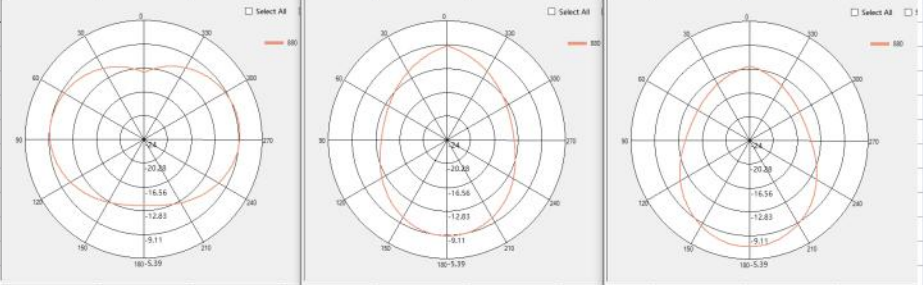




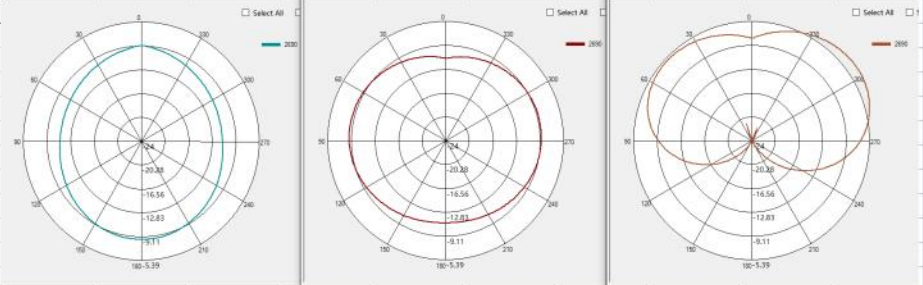
| 频段 | 增益dbi |
|----|-------|
| B4 | -1.4 |



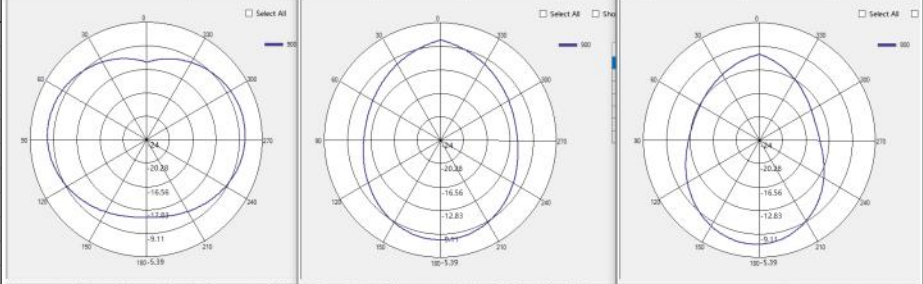
| 频段 | 增益dbi |
|----|-------|
| B5 | -5.16 |



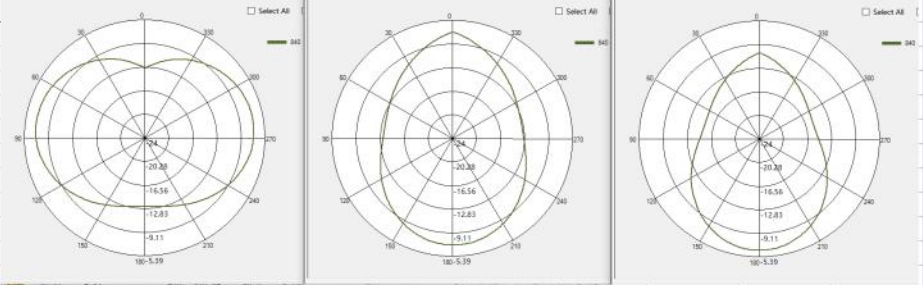
| 频段 | 增益dbi |
|----|-------|
| B7 | -2.78 |



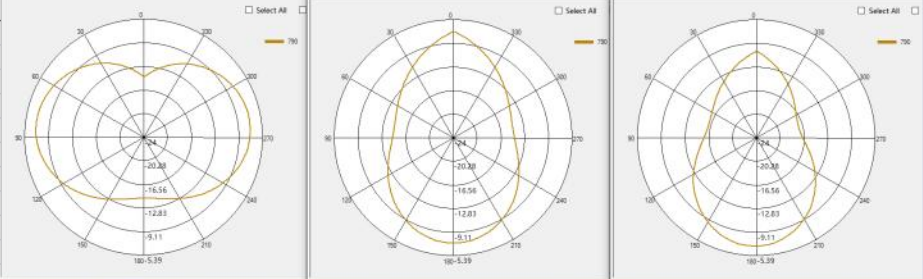
| 频段 | 增益dbi |
|----|-------|
| B8 | -4.05 |

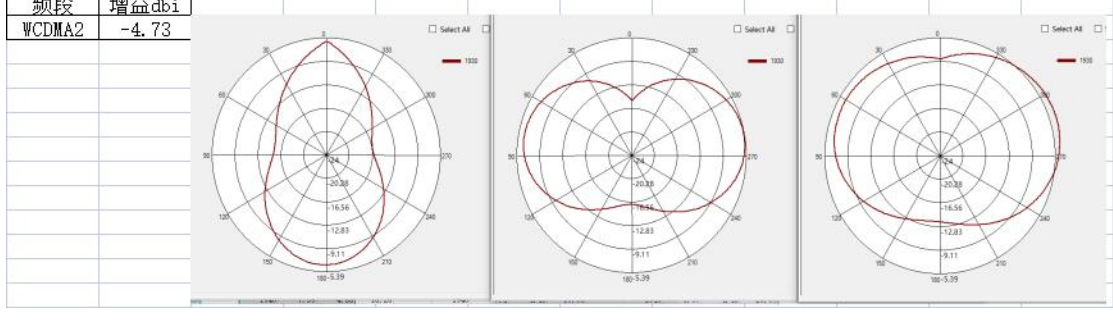
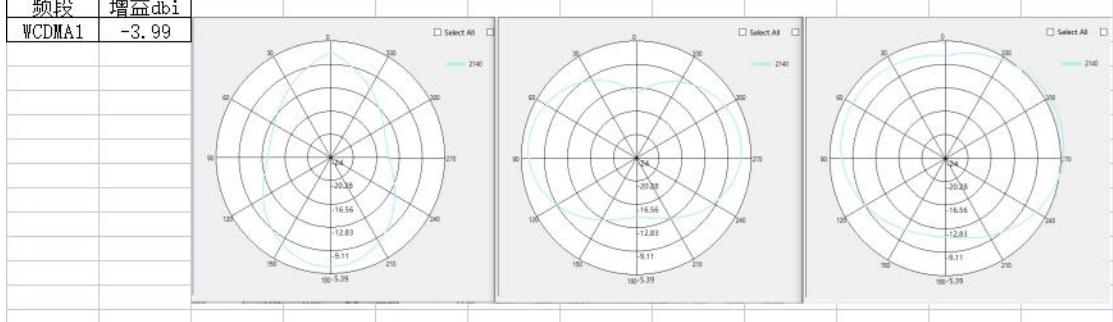
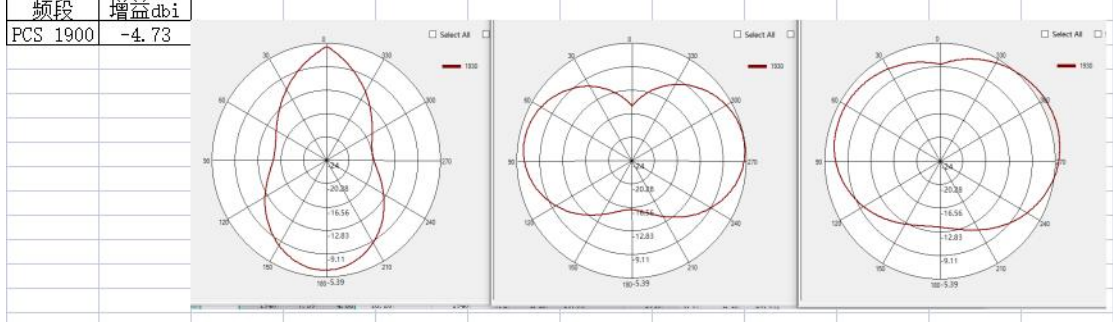
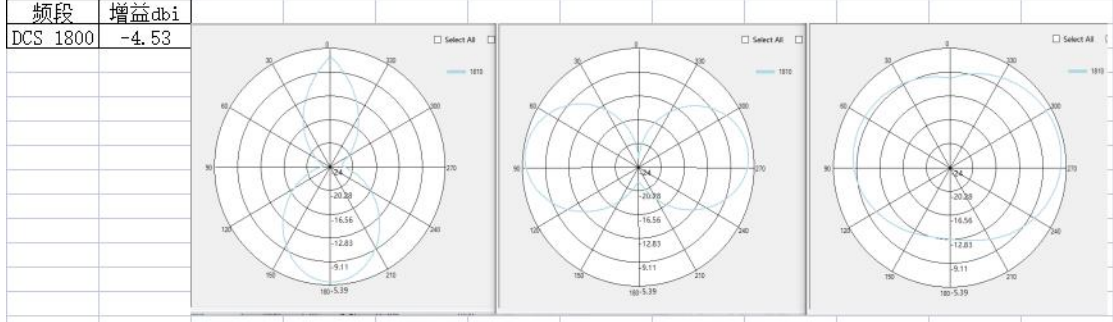
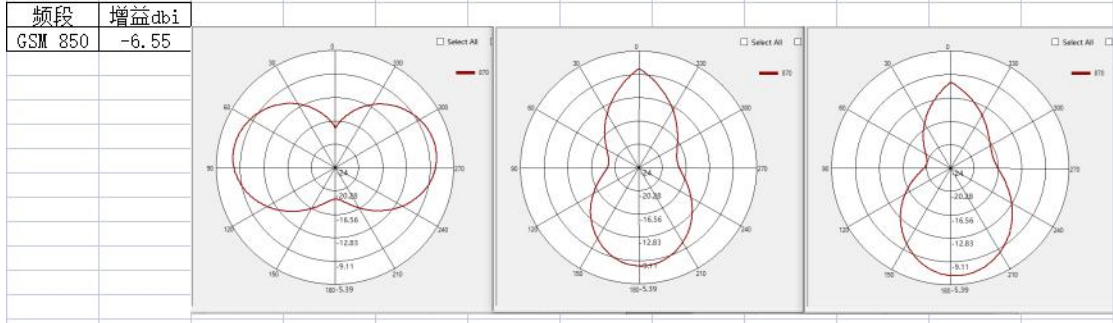
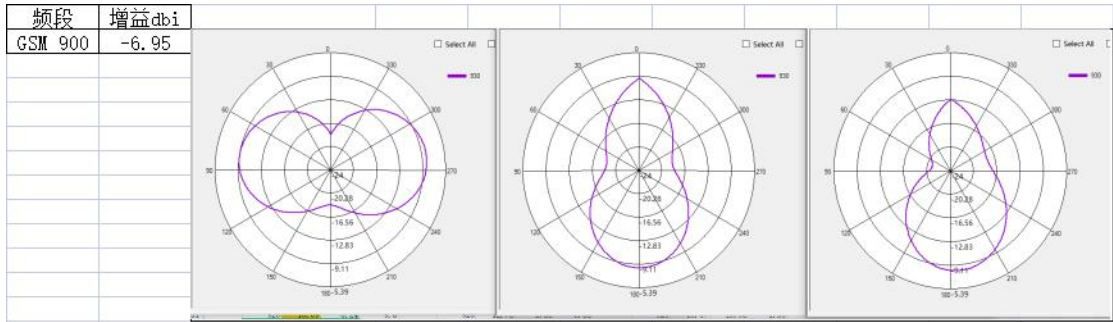


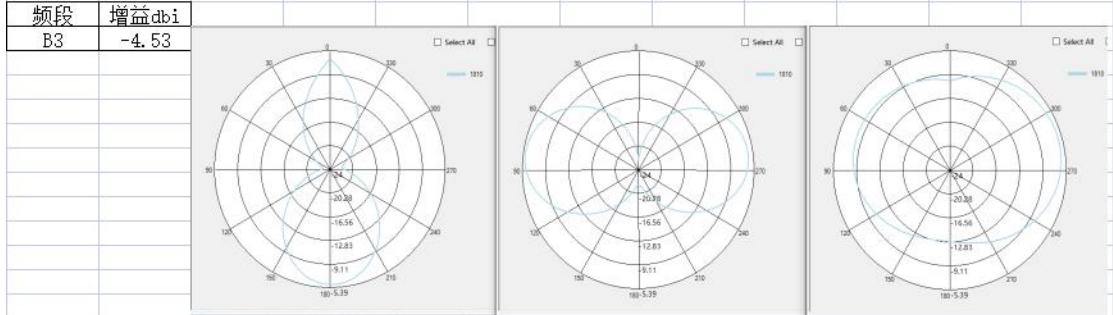
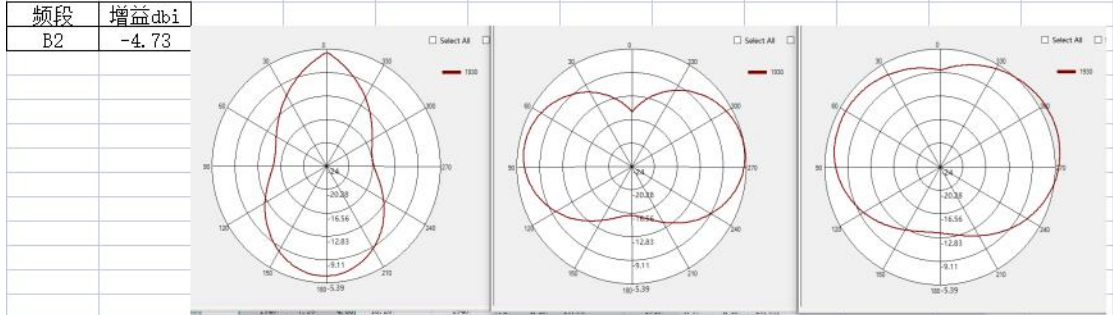
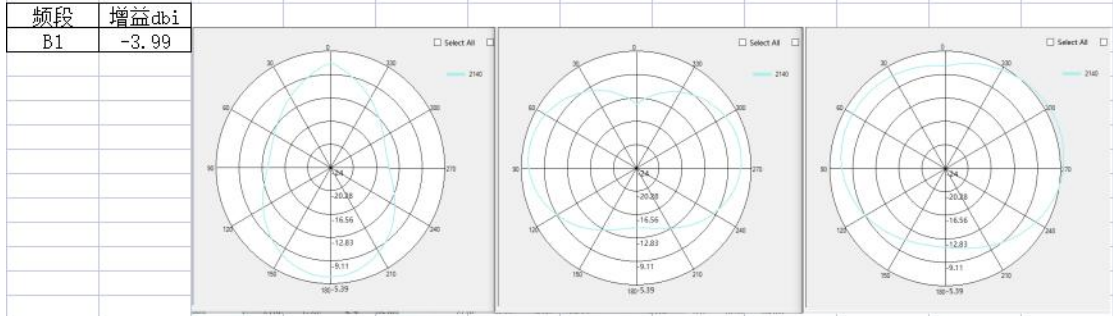
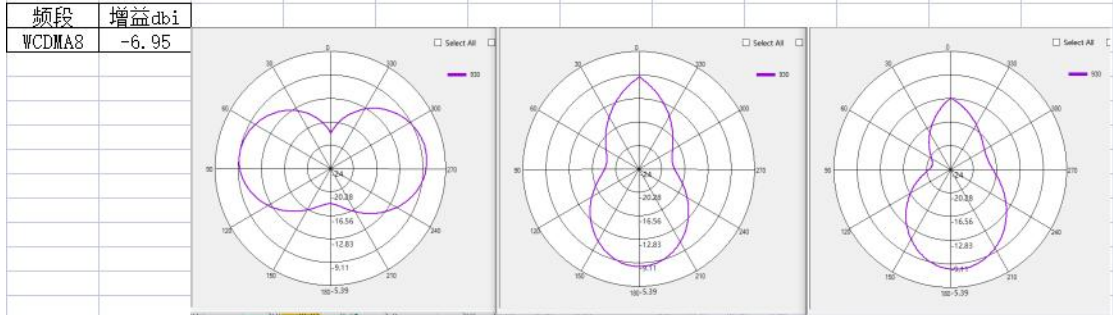
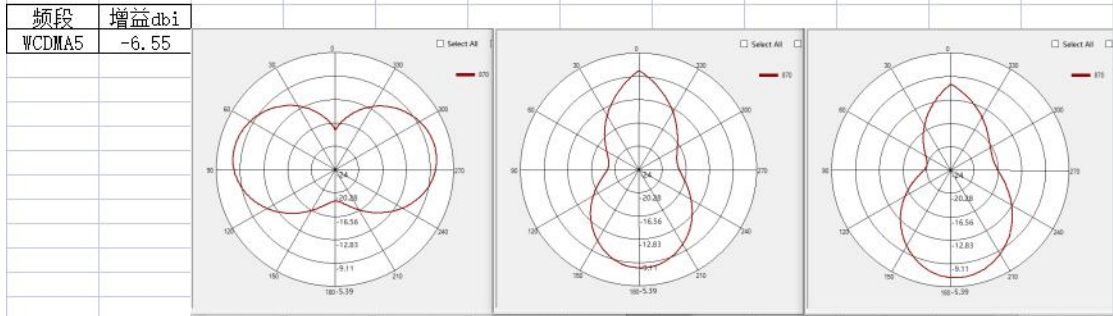
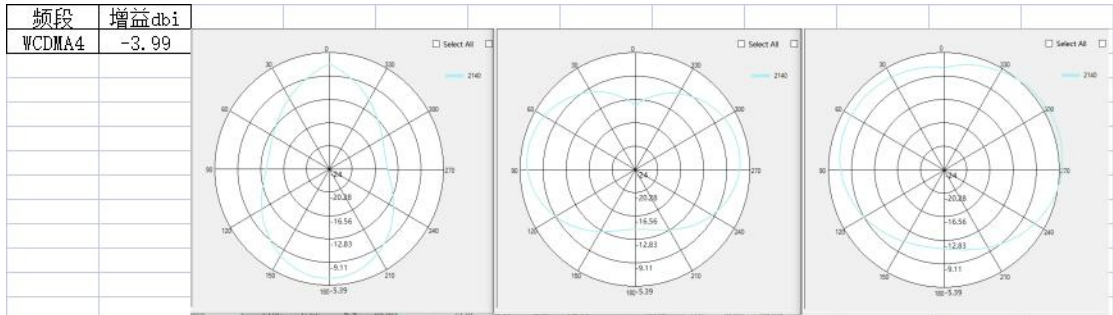
| 频段 | 增益dbi |
|-----|-------|
| B20 | -5.16 |

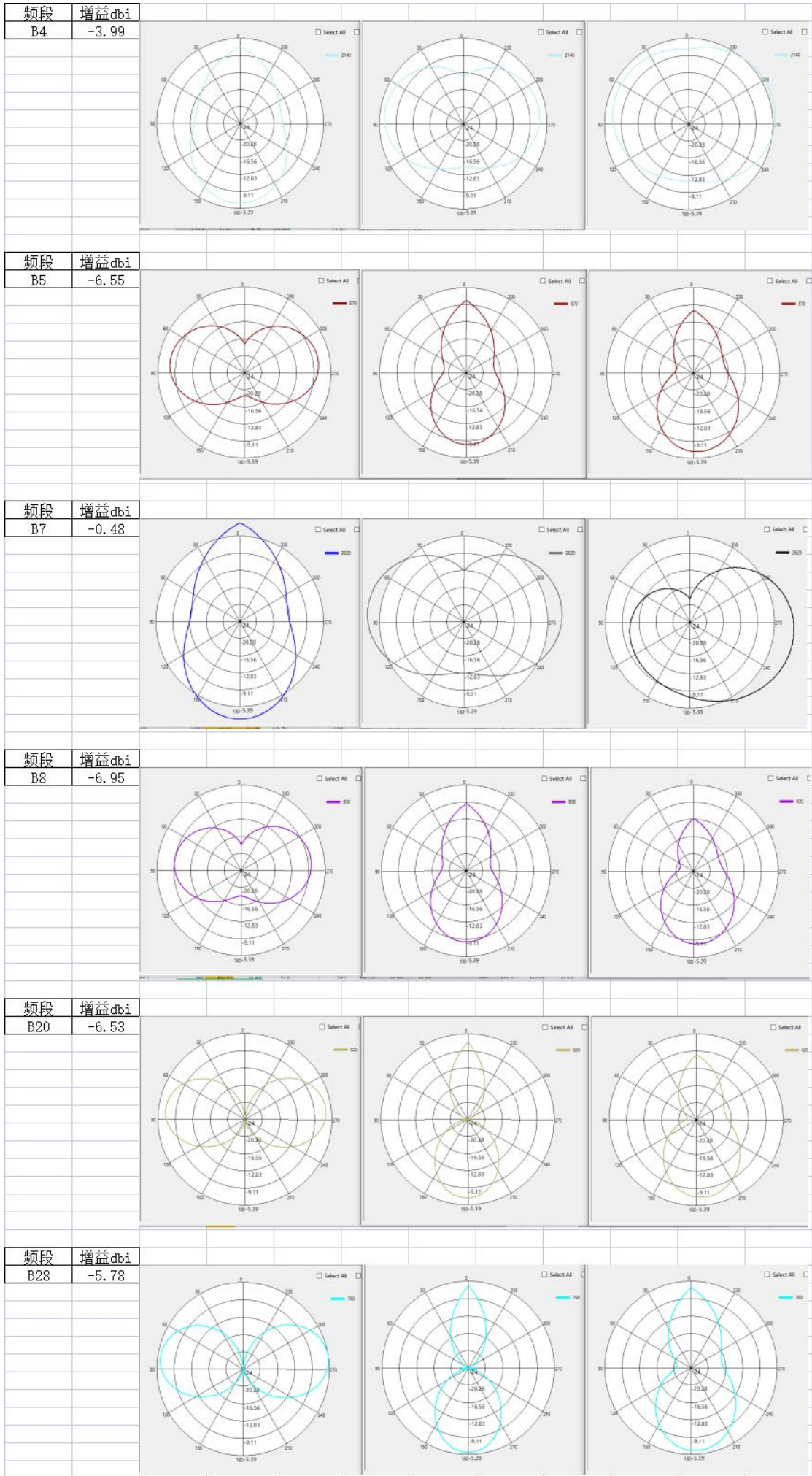


| 频段 | 增益dbi |
|-----|-------|
| B28 | -6.37 |









ANT4

