

TEST REPORT

Applicant Name : INFINIX MOBILITY LIMITED
Address : FLAT 39 8/F BLOCK D WAH LOK INDUSTRIAL CENTRE 31-35
SHAN MEI STREET FOTAN NT
Report Number : SZNS220106-00796E-SA
FCC ID: 2AIZN-X6816C

Test Standard (s)

FCC Part 2.1093

Sample Description

Product Type: Mobile Phone
Model No.: X6816C
Trade Mark: **Infinix**
Date Received: 2022/01/07
Date of Test: 2022/02/07~2022/02/11
Report Date: 2022/02/12

Test Result:	Pass*
--------------	-------

* In the configuration tested, the EUT complied with the standards above.

Prepared and Checked By:

Lance Li
EMC Engineer

Approved By:

Candy Li
EMC Engineer

Note: This report may contain data that are not covered by the A2LA accreditation and are marked with an asterisk “*”.

Shenzhen Accurate Technology Co., Ltd. is not responsible for the authenticity of any test data provided by the applicant. Data included from the applicant that may affect test results are marked with an asterisk “*”. Customer model name, addresses, names, trademarks etc. are not considered data.

This report cannot be reproduced except in full, without prior written approval of the Company. Unless otherwise stated the results shown in this test report refer only to the sample(s) tested. This report is valid only with a valid digital signature. The digital signature may be available only under the Adobe software above version 7.0.

Shenzhen Accurate Technology Co., Ltd.

1/F., Building A, Changyuan New Material Port, Science & Industry Park, Nanshan District, Shenzhen, Guangdong, P.R. China
Tel: +86 755-26503290 Fax: +86 755-26503396 Web: www.atc-lab.com

Attestation of Test Results			
MODE		Max. SAR Level(s) Reported(W/kg)	Limit (W/kg)
GSM 850	1g Head SAR	0.79	1.6
	1g Body SAR	0.39	
PCS 1900	1g Head SAR	1.21	
	1g Body SAR	0.79	
WCDMA Band 2	1g Head SAR	1.16	
	1g Body SAR	0.66	
WCDMA Band 4	1g Head SAR	1.17	
	1g Body SAR	0.53	
WCDMA Band 5	1g Head SAR	0.97	
	1g Body SAR	0.40	
LTE Band 2	1g Head SAR	1.21	
	1g Body SAR	0.79	
LTE Band 4	1g Head SAR	1.18	
	1g Body SAR	0.71	
LTE Band 5	1g Head SAR	1.10	
	1g Body SAR	0.52	
LTE Band 7	1g Head SAR	1.17	
	1g Body SAR	1.18	
LTE Band 41&38	1g Head SAR	1.16	
	1g Body SAR	1.18	
Simultaneous	1g Head SAR	1.58	
	1g Body SAR	1.37	
	1g Body SAR	1.37(Hotspot)	
Applicable Standards	FCC 47 CFR part 2.1093 Radiofrequency radiation exposure evaluation: portable devices		
	RF Exposure Procedures: TCB Workshop April 2015		
	IEEE1528:2013 IEEE Recommended Practice for Determining the Peak Spatial-Average Specific Absorption Rate (SAR) in the Human Head from Wireless Communications Devices: Measurement Techniques		
	IEC 62209-1:2016 Measurement procedure for the assessment of specific absorption rate of human exposure to radio frequency fields from hand-held and body-mounted wireless communication devices – Part 1: Devices used next to the ear (Frequency range of 300 MHz to 6 GHz)		
	KDB procedures KDB 447498 D01 General RF Exposure Guidance v06 KDB 648474 D04 Handset SAR v01r03 KDB 865664 D01 SAR Measurement 100 MHz to 6 GHz v01r04 KDB 865664 D02 RF Exposure Reporting v01r02 KDB 941225 D01 3G SAR Procedures v03r01 KDB 941225 D05 SAR for LTE Devices v02r05 KDB 941225 D06 Hotspot Mode v02r01		
<p>Note: This wireless device has been shown to be capable of compliance for localized specific absorption rate (SAR) for General Population/Uncontrolled Exposure limits specified in FCC 47 CFR part 2.1093 and has been tested in accordance with the measurement procedures specified in IEEE 1528-2013 and RF exposure KDB procedures.</p> <p>The results and statements contained in this report pertain only to the device(s) evaluated.</p>			

TABLE OF CONTENTS

DOCUMENT REVISION HISTORY	4
EUT DESCRIPTION	5
TECHNICAL SPECIFICATION	5
REFERENCE, STANDARDS, AND GUIDELINES	6
SAR LIMITS.....	7
FACILITIES	8
DESCRIPTION OF TEST SYSTEM	9
EQUIPMENT LIST AND CALIBRATION	14
EQUIPMENTS LIST & CALIBRATION INFORMATION.....	14
SAR MEASUREMENT SYSTEM VERIFICATION	15
LIQUID VERIFICATION	15
SYSTEM ACCURACY VERIFICATION.....	17
SAR SYSTEM VALIDATION DATA.....	18
EUT TEST STRATEGY AND METHODOLOGY	22
TEST POSITIONS FOR DEVICE OPERATING NEXT TO A PERSON’S EAR	22
CHEEK/TOUCH POSITION	23
EAR/TILT POSITION	23
TEST POSITIONS FOR BODY-WORN AND OTHER CONFIGURATIONS.....	24
TEST DISTANCE FOR SAR EVALUATION.....	24
SAR EVALUATION PROCEDURE	25
CONDUCTED OUTPUT POWER MEASUREMENT	26
PROVISION APPLICABLE	26
TEST PROCEDURE	26
RADIO CONFIGURATION	26
MAXIMUM TARGET OUTPUT POWER	32
STANDALONE SAR TEST EXCLUSION CONSIDERATIONS	52
ANTENNA DISTANCE TO EDGE.....	53
STANDALONE SAR TEST EXCLUSION CONSIDERATIONS	53
STANDALONE SAR ESTIMATION:.....	54
SAR TEST EXCLUSION FOR THE EUT EDGE CONSIDERATIONS RESULT	54
SAR MEASUREMENT RESULTS	55
SAR TEST DATA	55
SAR MEASUREMENT VARIABILITY	67
SAR SIMULTANEOUS TRANSMISSION DESCRIPTION	69
SAR PLOTS	80
APPENDIX A MEASUREMENT UNCERTAINTY	81
APPENDIX B EUT TEST POSITION PHOTOS	82
APPENDIX C PROBE CALIBRATION CERTIFICATES	83
APPENDIX D DIPOLE CALIBRATION CERTIFICATES	84

DOCUMENT REVISION HISTORY

Revision Number	Report Number	Description of Revision	Date of Revision
0	SZNS220106-00796E-SA	Original Report	2022/02/12

EUT DESCRIPTION

This report has been prepared on behalf of **INFINIX MOBILITY LIMITED**, and their product **Mobile Phone**, Model: **X6816C**, FCC ID: **2AIZN-X6816C** or the EUT (Equipment under Test) as referred to in the rest of this report.

Technical Specification

Device Type:	Portable
Exposure Category:	Population / Uncontrolled
Antenna Type(s):	Internal Antenna
DTM Type:	Class B
Multi-slot Class:	GPRS(Class 12); EDGE(Class 12)
Body-Worn Accessories:	Headset
Face-Head Accessories:	None
Operation Mode :	GSM Voice, GPRS/EDGE Data, WCDMA(R99 (Voice+Data), HSDPA/HSUPA/ HSPA+), FDD-LTE, TDD-LTE, Wi-Fi and Bluetooth
Frequency Band:	GSM 850: 824-849 MHz(TX); 869-894 MHz(RX) PCS 1900: 1850-1910 MHz(TX); 1930-1990 MHz(RX) WCDMA Band 2: 1850-1910 MHz(TX); 1930-1990 MHz(RX) WCDMA Band 4: 1710-1755 MHz(TX) ; 2110-2155 MHz(RX) WCDMA Band 5: 824-849 MHz(TX); 869-894 MHz(RX) LTE Band 2: 1850-1910 MHz(TX); 1930-1990 MHz(RX) LTE Band 4: 1710-1755 MHz(TX) ; 2110-2155 MHz(RX) LTE Band 5: 824-849 MHz(TX); 869-894 MHz(RX) LTE Band 7: 2500-2570 MHz(TX); 2620-2690 MHz(RX) LTE Band 38: 2570-2620 MHz(TX); 2570-2620 MHz(RX) LTE Band 41: 2535-2655 MHz(TX); 2535-2655 MHz(RX) Wi-Fi 2.4G: 2412 -2472 MHz(TX&RX) Wi-Fi 5.2G: 5150 -5250 MHz(TX&RX) Wi-Fi 5.8G: 5725 -5850 MHz(TX&RX) Bluetooth: 2402 -2480 MHz(TX&RX) BLE: 2402 -2480 MHz(TX&RX)
Conducted RF Power:	GSM 850: 33.0 dBm; PCS 1900: 29.2 dBm WCDMA Band 2: 19.62 dBm; WCDMA Band 4: 19.94 dBm WCDMA Band 5: 23.48 dBm LTE Band 2: 19.94 dBm; LTE Band 4: 20.12 dBm LTE Band 5: 24.05 dBm; LTE Band 7: 19.19 dBm LTE Band 38: 20.00 dBm; LTE Band 41: 20.13 dBm; Wi-Fi 2.4G: 9.25 dBm Wi-Fi 5.2G: 7.27 dBm Wi-Fi 5.8G: 7.40 dBm Bluetooth(BDR/EDR): 3.51 dBm BLE : 4.13 dBm;
Power Source:	Rechargeable Battery
Normal Operation:	Head and Body-worn

REFERENCE, STANDARDS, AND GUIDELINES

FCC:

The Report and Order requires routine SAR evaluation prior to equipment authorization of portable transmitter devices, including portable telephones. For consumer products, the applicable limit is 1.6 mW/g as recommended by the ANSI/IEEE standard C95.1-1992 [6] for an uncontrolled environment (Paragraph 65). According to the Supplement C of OET Bulletin 65 "Evaluating Compliance with FCC Guide-lines for Human Exposure to Radio frequency Electromagnetic Fields", released on Jun 29, 2001 by the FCC, the device should be evaluated at maximum output power (radiated from the antenna) under "worst-case" conditions for normal or intended use, incorporating normal antenna operating positions, device peak performance frequencies and positions for maximum RF energy coupling.

This report describes the methodology and results of experiments performed on wireless data terminal. The objective was to determine if there is RF radiation and if radiation is found, what is the extent of radiation with respect to safety limits. SAR (Specific Absorption Rate) is the measure of RF exposure determined by the amount of RF energy absorbed by human body (or its parts) – to determine how the RF energy couples to the body or head which is a primary health concern for body worn devices. The limit below which the exposure to RF is considered safe by regulatory bodies in North America is 1.6 mW/g average over 1 gram of tissue mass.

CE:

The order requires routine SAR evaluation prior to equipment authorization of portable transmitter devices, including portable telephones. For consumer products, the applicable limit is 2 mW/g as recommended by EN62209-1 for an uncontrolled environment. According to the Standard, the device should be evaluated at maximum output power (radiated from the antenna) under "worst-case" conditions for normal or intended use, incorporating normal antenna operating positions, device peak performance frequencies and positions for maximum RF energy coupling.

This report describes the methodology and results of experiments performed on wireless data terminal. The objective was to determine if there is RF radiation and if radiation is found, what is the extent of radiation with respect to safety limits. SAR (Specific Absorption Rate) is the measure of RF exposure determined by the amount of RF energy absorbed by human body (or its parts) – to determine how the RF energy couples to the body or head which is a primary health concern for body worn devices. The limit below which the exposure to RF is considered safe by regulatory bodies in Europe is 2 mW/g average over 10 gram of tissue mass.

The test configurations were laid out on a specially designed test fixture to ensure the reproducibility of measurements. Each configuration was scanned for SAR. Analysis of each scan was carried out to characterize the above effects in the device.

SAR Limits**FCC Limit(1g Tissue)**

EXPOSURE LIMITS	SAR (W/kg)	
	(General Population / Uncontrolled Exposure Environment)	(Occupational / Controlled Exposure Environment)
Spatial Average (averaged over the whole body)	0.08	0.4
Spatial Peak (averaged over any 1 g of tissue)	1.60	8.0
Spatial Peak (hands/wrists/feet/ankles averaged over 10 g)	4.0	20.0

CE Limit(10g Tissue)

EXPOSURE LIMITS	SAR (W/kg)	
	(General Population / Uncontrolled Exposure Environment)	(Occupational / Controlled Exposure Environment)
Spatial Average (averaged over the whole body)	0.08	0.4
Spatial Peak (averaged over any 10 g of tissue)	2.0	10
Spatial Peak (hands/wrists/feet/ankles averaged over 10 g)	4.0	20.0

Population/Uncontrolled Environments are defined as locations where there is the exposure of individual who have no knowledge or control of their exposure.

Occupational/Controlled Environments are defined as locations where there is exposure that may be incurred by people who are aware of the potential for exposure (i.e. as a result of employment or occupation).

General Population/Uncontrolled environments Spatial Peak limit 1.6W/kg (FCC) & 2 W/kg (CE) applied to the EUT.

FACILITIES

The test site used by Shenzhen Accurate Technology Co., Ltd. to collect test data is located on the 1/F., Building A, Changyuan New Material Port, Science & Industry Park, Nanshan District, Shenzhen, Guangdong, P.R. China.

The test site has been approved by the FCC under the KDB 974614 D01 and is listed in the FCC Public Access Link (PAL) database, FCC Registration No.: 708358, the FCC Designation No.: CN1189. Accredited by American Association for Laboratory Accreditation (A2LA) The Certificate Number is 4297.01

Listed by Innovation, Science and Economic Development Canada (ISED), the Registration Number is 5077A.

The test site has been registered with ISED Canada under ISED Canada Registration Number CN0016.

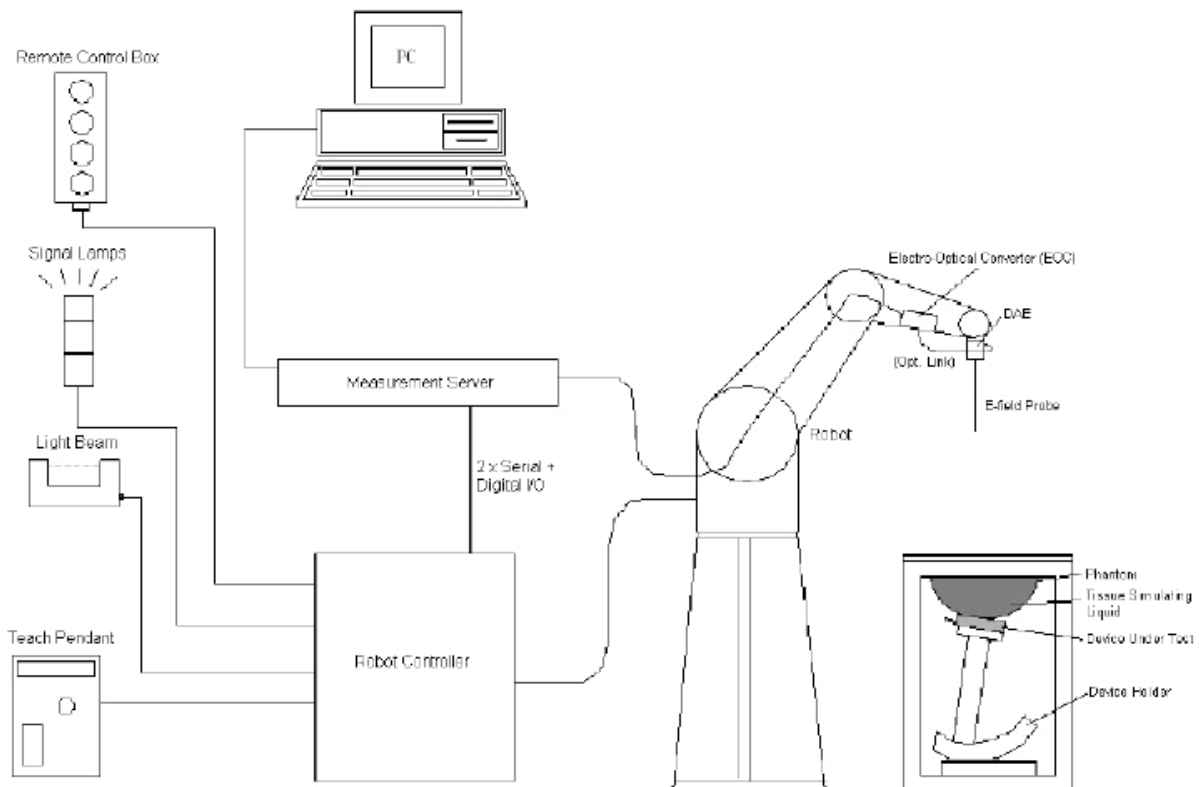
DESCRIPTION OF TEST SYSTEM

These measurements were performed with the automated near-field scanning system DASY5 from Schmid & Partner Engineering AG (SPEAG) which is the Fifth generation of the system shown in the figure hereinafter:



DASY5 System Description

The DASY5 system for performing compliance tests consists of the following items:



- A standard high precision 6-axis robot (Staubli TX=RX family) with controller, teach pendant and software. An arm extension for accommodating the data acquisition electronics (DAE).
- An isotropic field probe optimized and calibrated for the targeted measurement.
- A data acquisition electronics (DAE) which performs the signal application, signal multiplexing, AD-conversion, offset measurements, mechanical surface detection, collision detection, etc. The unit is battery powered with standard or rechargeable batteries. The signal is optically transmitted to the EOC.
- The Electro-optical converter (EOC) performs the conversion from optical to electrical signals for the digital communication to the DAE. To use optical surface detection, a special version of the EOC is required. The EOC signal is transmitted to the measurement server.
- The function of the measurement server is to perform the time critical tasks such as signal filtering, control of the robot operation and fast movement interrupts.
- The Light Beam used is for probe alignment. This improves the (absolute) accuracy of the probe positioning.
- A computer running Win7 professional operating system and the DASY52 software.
- Remote control and teach pendant as well as additional circuitry for robot safety such as warning lamps, etc.
- The phantom, the device holder and other accessories according to the targeted measurement.

DASY5 Measurement Server

The DASY5 measurement server is based on a PC/104 CPU board with a 400 MHz Intel ULV Celeron, 128 MB chip-disk and 128 MB RAM. The necessary circuits for communication with the DAE4 (or DAE3) electronics box, as well as the 16-bit AD converter system for optical detection and digital I/O interface are contained on the DASY6 I/O board, which is directly connected to the PC/104 bus of the CPU board.

The measurement server performs all real-time data evaluations of field measurements and surface detection, controls robot movements, and handles safety operations. The PC operating system cannot interfere with these time-critical processes. All connections are supervised by a watchdog, and disconnection of any of the cables to the measurement server will automatically disarm the robot and disable all program- controlled robot movements. Furthermore, the measurement server is equipped with an expansion port, which is reserved for future applications. Please note that this expansion port does not have a standardized pinout, and therefore only devices provided by SPEAG can be connected. Connection of devices from any other supplier could seriously damage the measurement server.

Data Acquisition Electronics

The data acquisition electronics (DAE4) consist of a highly sensitive electrometer-grade preamplifier with auto-zeroing, a channel and gain-switching multiplexer, a fast 16 bit AD-converter and a command decoder with a control logic unit. Transmission to the measurement server is accomplished through an optical downlink for data and status information, as well as an optical uplink for commands and the clock.

The mechanical probe mounting device includes two different sensor systems for frontal and sideways probe contacts. They are used for mechanical surface detection and probe collision detection.

The input impedance of both the DAE4 as well as of the DAE3 box is 200M Ω ; the inputs are symmetrical and floating. Common mode rejection is above 80 dB.

EX3DV4 E-Field Probes

Frequency	10 MHz to > 6 GHz Linearity: ± 0.2 dB (30 MHz to 6 GHz)
Directivity	± 0.3 dB in TSL (rotation around probe axis) ± 0.5 dB in TSL (rotation normal to probe axis)
Dynamic Range	10 μ W/g to > 100 mW/g Linearity: ± 0.2 dB (noise: typically < 1 μ W/g)
Dimensions	Overall length: 337 mm (Tip: 20 mm) Tip diameter: 2.5 mm (Body: 12 mm) Typical distance from probe tip to dipole centers: 1 mm
Application	High precision dosimetric measurements in any exposure scenario (e.g., very strong gradient fields); the only probe that enables compliance testing for frequencies up to 6 GHz with precision of better 30%.
Compatibility	DASY3, DASY4, DASY52 SAR and higher, EASY4/MRI

SAM Twin Phantom

The SAM Twin Phantom (shown in front of DASY5) is a fiberglass shell phantom with shell thickness 2 mm, except in the ear region where the thickness is increased to 6 mm..

When the phantom is mounted inside allocated slot of the DASY5 platform, phantom reference points can be taught directly in the DASY5 V5.2 software. When the DASY5 platform is used to mount the

Phantom, some of the phantom teaching points cannot be reached by the robot in DASY5 V5.2. A special tool called P1a-P2aX-Former is provided to transform two of the three points, P1 and P2, to reachable locations. To use these new teaching points, a revised phantom configuration file is required.

In addition to our standard broadband liquids, the phantom can be used with the following tissue simulating liquids:

Sugar-water-based liquids can be left permanently in the phantom.

Always cover the liquid when the system is not in use to prevent changes in liquid parameters due to water evaporation.

DGBE-based liquids should be used with care. As DGBE is a softener for most plastics, the liquid should be taken out of the phantom, and the phantom should be dried when the system is not in use (desirable at least once a week).

Do not use other organic solvents without previously testing the solvent resistivity of the phantom. Approximately 25 liters of liquid is required to fill the SAM Twin phantom.



Calibration Frequency Points for EX3DV4 E-Field Probes SN: 3619 Calibrated: 2021/08/25

Calibration Frequency Point(MHz)	Frequency Range(MHz)		Conversion Factor		
	From	To	X	Y	Z
450 Head	350	550	8.89	8.89	8.89
600 Head	500	680	8.96	8.96	8.96
750 Head	680	810	8.63	8.63	8.63
835 Head	810	860	8.50	8.50	8.50
900 Head	860	1000	8.28	8.28	8.28
1750 Head	1650	1810	7.33	7.33	7.33
1900 Head	1810	2000	7.07	7.07	7.07
2450 Head	2350	2500	6.69	6.69	6.69
2600 Head	2500	2700	6.53	6.53	6.53
5250 Head	5140	5360	4.37	4.37	4.37
5600 Head	5490	5700	4.03	4.03	4.03
5800 Head	5700	5910	3.93	3.93	3.93

Area Scans

Area scans are defined prior to the measurement process being executed with a user defined variable spacing between each measurement point (integral) allowing low uncertainty measurements to be conducted. Scans defined for FCC applications utilize a 15mm 2 step integral, with 1.5mm interpolation used to locate the peak SAR area used for zoom scan assessments.

Where the system identifies multiple SAR peaks (which are within 25% of peak value) the system will provide the user with the option of assessing each peak location individually for zoom scan averaging.

Zoom Scan (Cube Scan Averaging)

The averaging zoom scan volume utilized in the DASY5 software is in the shape of a cube and the side dimension of a 1 g or 10 g mass is dependent on the density of the liquid representing the simulated tissue. A density of 1000 kg/m³ is used to represent the head and body tissue density and not the phantom liquid density, in order to be consistent with the definition of the liquid dielectric properties, i.e. the side length of the 1g cube is 10mm, with the side length of the 10g cube is 21.5mm.

When the cube intersects with the surface of the phantom, it is oriented so that 3 vertices touch the surface of the shell or the center of a face is tangent to the surface. The face of the cube closest to the surface is modified in order to conform to the tangent surface.

The zoom scan integer steps can be user defined so as to reduce uncertainty, but normal practice for typical test applications (including FCC) utilize a physical step of 7 x 7 x 7 (5mmx5mmx5mm) providing a volume of 30 mm in the X & Y & Z axis.

Tissue Dielectric Parameters for Head and Body Phantoms

The head tissue dielectric parameters recommended by the IEC 62209-1:2016

Recommended Tissue Dielectric Parameters for Head

Table A.3 – Dielectric properties of the head tissue-equivalent liquid

Frequency MHz	Relative permittivity ϵ_r	Conductivity (σ) S/m
300	45,3	0,87
450	43,5	0,87
<i>750</i>	<i>41,9</i>	<i>0,89</i>
835	41,5	0,90
900	41,5	0,97
1 450	40,5	1,20
<i>1 500</i>	<i>40,4</i>	<i>1,23</i>
<i>1 640</i>	<i>40,2</i>	<i>1,31</i>
<i>1 750</i>	<i>40,1</i>	<i>1,37</i>
1 800	40,0	1,40
1 900	40,0	1,40
2 000	40,0	1,40
<i>2 100</i>	<i>39,8</i>	<i>1,49</i>
<i>2 300</i>	<i>39,5</i>	<i>1,67</i>
2 450	39,2	1,80
<i>2 600</i>	<i>39,0</i>	<i>1,96</i>
3 000	38,5	2,40
<i>3 500</i>	<i>37,9</i>	<i>2,91</i>
<i>4 000</i>	<i>37,4</i>	<i>3,43</i>
<i>4 500</i>	<i>36,8</i>	<i>3,94</i>
<i>5 000</i>	<i>36,2</i>	<i>4,45</i>
<i>5 200</i>	<i>36,0</i>	<i>4,66</i>
<i>5 400</i>	<i>35,8</i>	<i>4,86</i>
<i>5 600</i>	<i>35,5</i>	<i>5,07</i>
<i>5 800</i>	<i>35,3</i>	<i>5,27</i>
6 000	35,1	5,48

NOTE For convenience, permittivity and conductivity values at those frequencies which are not part of the original data provided by Drossos et al. [33] or the extension to 5 800 MHz are provided (i.e. the values shown *in italics*). These values were linearly interpolated between the values in this table that are immediately above and below these values, except the values at 6 000 MHz that were linearly extrapolated from the values at 3 000 MHz and 5 800 MHz.

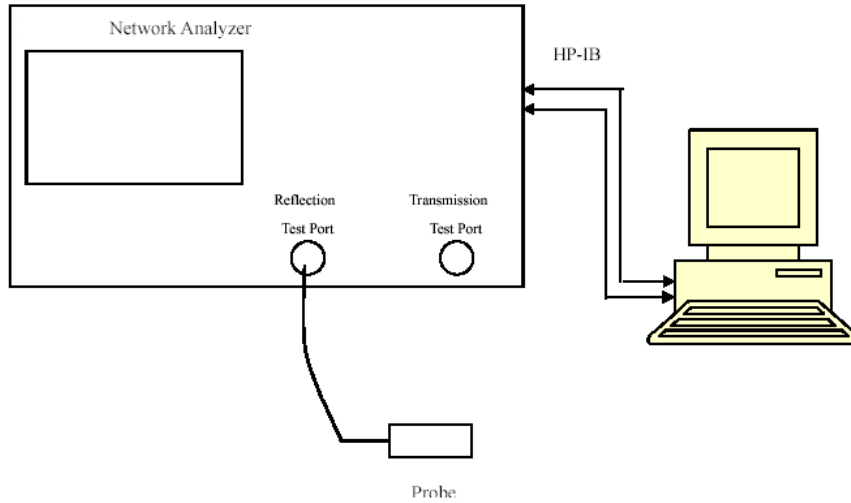
EQUIPMENT LIST AND CALIBRATION

Equipments List & Calibration Information

Equipment	Model	S/N	Calibration Date	Calibration Due Date
DASY5 Test Software	DASY52 52.10.4	N/A	NCR	NCR
DASY5 Measurement Server	DASY5 6.0.31	N/A	NCR	NCR
Data Acquisition Electronics	DAE4	1562	2021/12/13	2022/12/12
E-Field Probe	EX3DV4	7369	2021/08/25	2022/08/24
Mounting Device	MD4HHTV5	SD 000 H01 KA	NCR	NCR
SAM Twin Phantom	SAM-Twin V5.0	1744	NCR	NCR
Dipole,835MHz	D835V2	4d103	2021/10/27	2024/10/26
Dipole,1800MHz	D1800V2	2d018	2020/10/15	2023/10/14
Dipole,1900MHz	D1900V2	5d128	2021/10/27	2024/10/26
Dipole,2450MHz	D2450V2	751	2020/10/13	2023/10/12
Dipole,2600MHz	D2600V2	1162	2019/10/2	2022/10/1
Simulated Tissue Liquid Head(500-9500MHz)	HBBL600-10000V6	180622-2	Each Time	/
Network Analyzer	8753D	3410A08288	2021/7/07	2022/7/06
Dielectric Assessment Kit	DAK-3.5	1248	NCR	NCR
Signal Generator	SMB100A	108362	2021/12/23	2022/12/22
USB wideband power sensor	U2021XA	MY52350001	2021/12/23	2022/12/22
Power Amplifier	CBA 1G-070	T44328	2021/12/23	2022/12/22
Linear Power Amplifier	AS0860-40/45	1060913	2021/12/23	2022/12/22
Directional Coupler	4223-20	3.113.277	2021/12/23	2022/12/22
6dB Attenuator	8493B 6dB Attenuator	2708A 04769	2021/12/23	2022/12/22
Wideband Radio Communication Tester	CMW500	143458	2021/03/03	2022/03/02

SAR MEASUREMENT SYSTEM VERIFICATION

Liquid Verification



Liquid Verification Setup Block Diagram

Liquid Verification Results

Frequency (MHz)	Liquid Type	Liquid Parameter		Target Value		Delta (%)		Tolerance (%)
		ϵ_r	σ (S/m)	ϵ_r	σ (S/m)	$\Delta\epsilon_r$	$\Delta\sigma$ (S/m)	
824.2	Simulated Tissue Liquid Head	41.671	0.896	41.55	0.9	0.29	-0.44	± 5
826.4	Simulated Tissue Liquid Head	41.489	0.916	41.54	0.9	-0.12	1.78	± 5
829	Simulated Tissue Liquid Head	41.897	0.917	41.53	0.9	0.88	1.89	± 5
835	Simulated Tissue Liquid Head	40.867	0.919	41.5	0.9	-1.53	2.11	± 5
836.5	Simulated Tissue Liquid Head	41.332	0.92	41.5	0.9	-0.4	2.22	± 5
836.6	Simulated Tissue Liquid Head	41.819	0.927	41.5	0.9	0.77	3	± 5
844	Simulated Tissue Liquid Head	41.397	0.934	41.5	0.91	-0.25	2.64	± 5
846.6	Simulated Tissue Liquid Head	41.591	0.934	41.5	0.91	0.22	2.64	± 5
848.8	Simulated Tissue Liquid Head	41.609	0.946	41.5	0.91	0.26	3.96	± 5

*Liquid Verification above was performed on 2022/2/7.

Frequency (MHz)	Liquid Type	Liquid Parameter		Target Value		Delta (%)		Tolerance (%)
		ϵ_r	σ (S/m)	ϵ_r	σ (S/m)	$\Delta\epsilon_r$	$\Delta\sigma$ (S/m)	
1712.4	Simulated Tissue Liquid Head	40.403	1.364	40.13	1.35	0.68	1.04	± 5
1720	Simulated Tissue Liquid Head	41.018	1.375	40.13	1.35	2.21	1.85	± 5
1732.5	Simulated Tissue Liquid Head	39.96	1.373	40.12	1.36	-0.4	0.96	± 5
1732.6	Simulated Tissue Liquid Head	39.887	1.38	40.12	1.36	-0.58	1.47	± 5
1745	Simulated Tissue Liquid Head	39.798	1.384	40.1	1.37	-0.75	1.02	± 5
1752.6	Simulated Tissue Liquid Head	40.092	1.385	40.09	1.37	0	1.09	± 5
1800	Simulated Tissue Liquid Head	39.441	1.401	40	1.4	-1.4	0.07	± 5

*Liquid Verification above was performed on 2022/2/8.

Frequency (MHz)	Liquid Type	Liquid Parameter		Target Value		Delta (%)		Tolerance (%)
		ϵ_r	σ (S/m)	ϵ_r	σ (S/m)	$\Delta\epsilon_r$	$\Delta\sigma$ (S/m)	
1850.2	Simulated Tissue Liquid Head	39.901	1.396	40	1.4	-0.25	-0.29	± 5
1852.4	Simulated Tissue Liquid Head	40.041	1.399	40	1.4	0.1	-0.07	± 5
1860	Simulated Tissue Liquid Head	40.272	1.405	40	1.4	0.68	0.36	± 5
1880	Simulated Tissue Liquid Head	40.159	1.413	40	1.4	0.4	0.93	± 5
1900	Simulated Tissue Liquid Head	39.374	1.431	40	1.4	-1.56	2.21	± 5
1907.6	Simulated Tissue Liquid Head	39.544	1.443	40	1.4	-1.14	3.07	± 5
1909.8	Simulated Tissue Liquid Head	39.503	1.445	40	1.4	-1.24	3.21	± 5

*Liquid Verification above was performed on 2022/2/9.

Frequency (MHz)	Liquid Type	Liquid Parameter		Target Value		Delta (%)		Tolerance (%)
		ϵ_r	σ (S/m)	ϵ_r	σ (S/m)	$\Delta\epsilon_r$	$\Delta\sigma$ (S/m)	
2510	Simulated Tissue Liquid Head	38.639	1.891	39.12	1.86	-1.23	1.67	± 5
2535	Simulated Tissue Liquid Head	38.495	1.895	39.09	1.89	-1.52	0.26	± 5
2545	Simulated Tissue Liquid Head	38.639	1.899	39.07	1.90	-1.1	-0.05	± 5
2560	Simulated Tissue Liquid Head	39.791	1.921	39.05	1.92	1.9	0.05	± 5
2595	Simulated Tissue Liquid Head	39.738	1.956	39.01	1.95	1.87	0.31	± 5
2600	Simulated Tissue Liquid Head	39.713	1.948	39	1.96	1.83	-0.61	± 5
2645	Simulated Tissue Liquid Head	39.321	1.963	38.94	2.01	0.98	-2.34	± 5

*Liquid Verification above was performed on 2022/2/10.

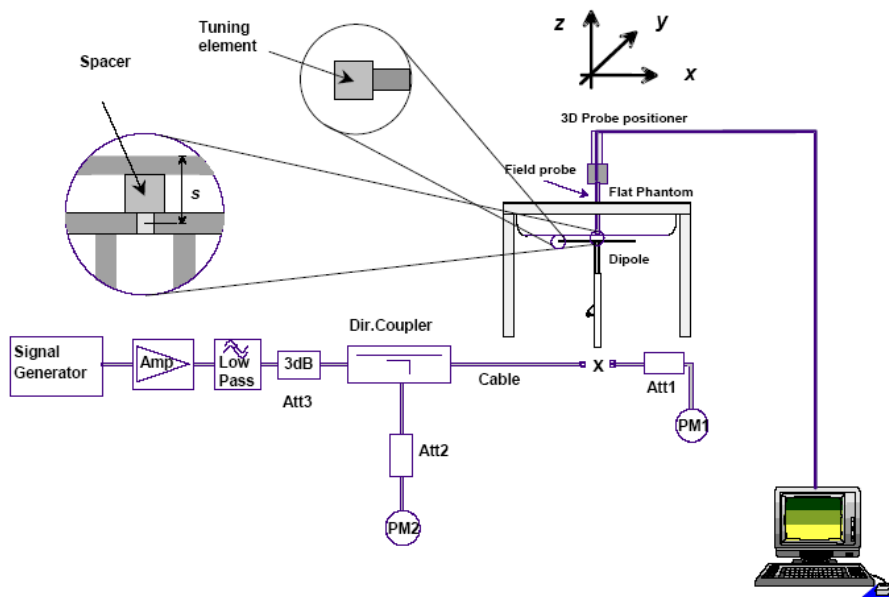
System Accuracy Verification

Prior to the assessment, the system validation kit was used to test whether the system was operating within its specifications of $\pm 10\%$. The validation results are tabulated below. And also the corresponding SAR plot is attached as well in the SAR plots files.

The spacing distances in the **System Verification Setup Block Diagram** is given by the following:

- a) $s = 15 \text{ mm} \pm 0,2 \text{ mm}$ for $300 \text{ MHz} \leq f \leq 1\,000 \text{ MHz}$;
- b) $s = 10 \text{ mm} \pm 0,2 \text{ mm}$ for $1\,000 \text{ MHz} < f \leq 3\,000 \text{ MHz}$;
- c) $s = 10 \text{ mm} \pm 0,2 \text{ mm}$ for $3\,000 \text{ MHz} < f \leq 6\,000 \text{ MHz}$.

System Verification Setup Block Diagram



System Accuracy Check Results

Date	Frequency Band	Liquid Type	Input Power (mW)	Measured SAR (W/kg)		Normalized to 1W (W/kg)	Target Value (W/kg)	Delta (%)	Tolerance (%)
2022/2/7	835 MHz	Head	100	1g	0.936	9.36	9.65	-3.005	± 10
2022/2/8	1800 MHz	Head	100	1g	4.29	42.9	39.3	9.160	± 10
2022/2/9	1900 MHz	Head	100	1g	4.26	42.6	40.0	6.500	± 10
2022/2/11	2600 MHz	Head	100	1g	6.07	60.7	55.4	9.567	± 10

*The SAR values above are normalized to 1 Watt forward power.

SAR SYSTEM VALIDATION DATA

System Performance 835 MHz

DUT: D835V3; Type: 835 MHz; Serial: 4d103

Communication System: UID 0, CW (0); Frequency: 835 MHz; Duty Cycle: 1:1

Medium parameters used: $f = 835 \text{ MHz}$; $\sigma = 0.919 \text{ S/m}$; $\epsilon_r = 40.867$; $\rho = 1000 \text{ kg/m}^3$

Phantom section: Flat Section

DASY5 Configuration:

- Probe: EX3DV4- SN3619; ConvF(8.5, 8.5, 8.5); Calibrated: 2021/08/25
- Sensor-Surface: 4mm (Mechanical Surface Detection)
- Electronics: DAE4 Sn1562; Calibrated: 2021/12/13
- Phantom: Twin SAM; Type: QD000P40CD; Serial: TP:1744
- Measurement SW: DASY52, Version 52.10 (4); SEMCAD X Version 14.6.14 (7501)

System Performance Check at 835MHz/d=15mm, Pin=100mw/Area Scan (71x91x1): Interpolated grid: $dx=1.500 \text{ mm}$, $dy=1.500 \text{ mm}$

Maximum value of SAR (interpolated) = 0.984 W/kg

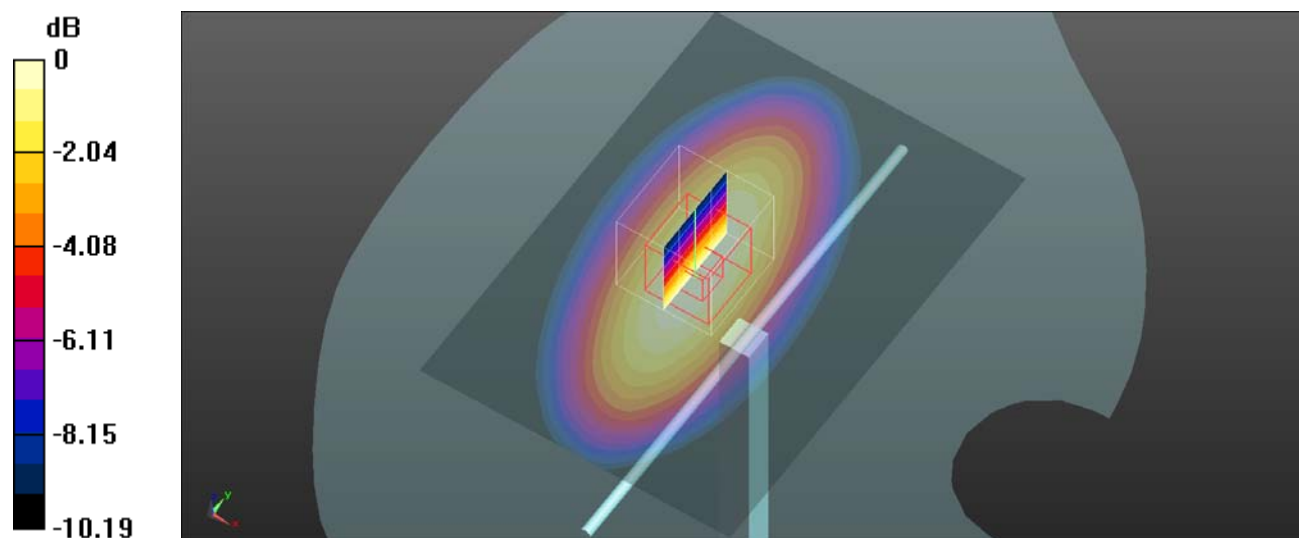
System Performance Check at 835MHz/d=15mm, Pin=100mw/Zoom Scan (7x7x7)/Cube 0: Measurement grid: $dx=5\text{mm}$, $dy=5\text{mm}$, $dz=5\text{mm}$

Reference Value = 33.77 V/m; Power Drift = -0.09 dB

Peak SAR (extrapolated) = 1.22 W/kg

SAR(1 g) = 0.936 W/kg; SAR(10 g) = 0.605 W/kg

Maximum value of SAR (measured) = 0.976 W/kg



0 dB = 0.976 W/kg = -0.11 dBW/kg

System Performance 1800 MHz**DUT: D1800V2; Type: 1800MHz; Serial: 2d018**

Communication System: UID 0, CW (0); Frequency: 1800 MHz; Duty Cycle: 1:1

Medium parameters used: $f = 1800 \text{ MHz}$; $\sigma = 1.401 \text{ S/m}$; $\epsilon_r = 39.441$; $\rho = 1000 \text{ kg/m}^3$

Phantom section: Flat Section

DASY5 Configuration:

- Probe: EX3DV4- SN3619; ConvF(7.33, 7.33, 7.33); Calibrated: 2021/08/25
- Sensor-Surface: 4mm (Mechanical Surface Detection)
- Electronics: DAE4 Sn1562; Calibrated: 2021/12/13
- Phantom: Twin SAM; Type: QD000P40CD; Serial: TP:1744
- Measurement SW: DASY52, Version 52.10 (4); SEMCAD X Version 14.6.14 (7501)

System Performance Check at 1800MHz/d=10mm, Pin=100mw/Area Scan (71x111x1): Interpolated grid: $dx=1.500 \text{ mm}$, $dy=1.500 \text{ mm}$

Maximum value of SAR (interpolated) = 4.67 W/kg

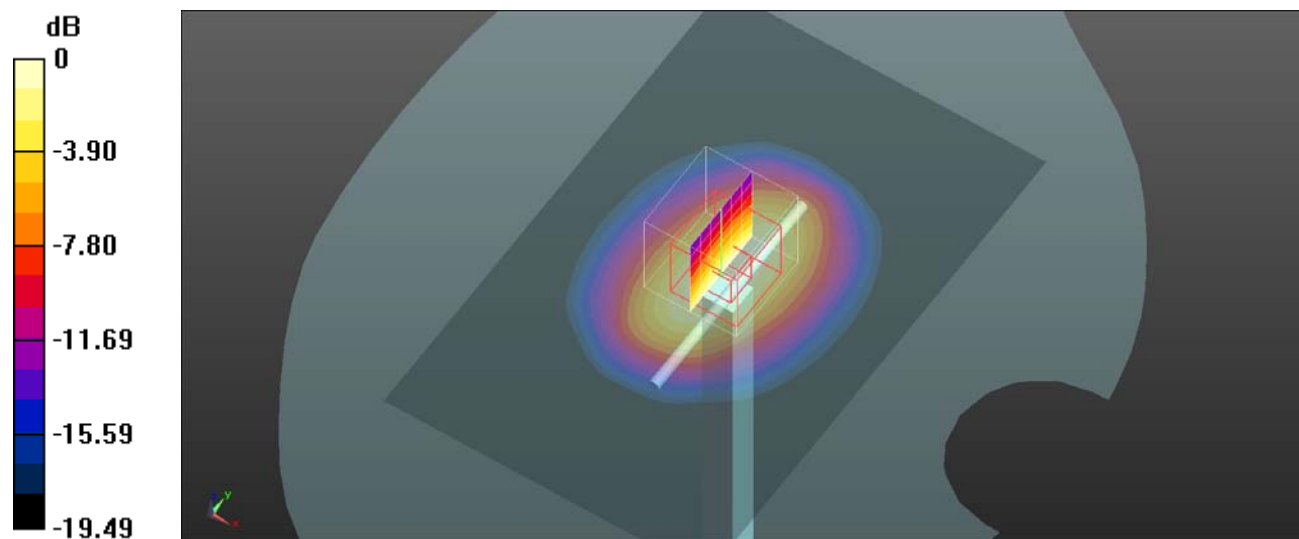
System Performance Check at 1800MHz/d=10mm, Pin=100mw/Zoom Scan (7x7x7)/Cube 0: Measurement grid: $dx=5\text{mm}$, $dy=5\text{mm}$, $dz=5\text{mm}$

Reference Value = 60.35 V/m; Power Drift = -0.11 dB

Peak SAR (extrapolated) = 6.18 W/kg

SAR(1 g) = 4.29 W/kg; SAR(10 g) = 2.33 W/kg

Maximum value of SAR (measured) = 4.63 W/kg



0 dB = 4.63 W/kg = 6.66 dBW/kg

System Performance 1900MHz**DUT: D1900V2; Type: 1900 MHz; Serial: 5d128**

Communication System: UID 0, CW (0); Frequency: 1900 MHz; Duty Cycle: 1:1

Medium parameters used: $f = 1900$ MHz; $\sigma = 1.431$ S/m; $\epsilon_r = 39.374$; $\rho = 1000$ kg/m³

Phantom section: Flat Section

DASY5 Configuration:

- Probe: EX3DV4- SN3619; ConvF(7.07, 7.07, 7.07); Calibrated: 2021/08/25
- Sensor-Surface: 4mm (Mechanical Surface Detection)
- Electronics: DAE4 Sn1562; Calibrated: 2021/12/13
- Phantom: Twin SAM; Type: QD000P40CD; Serial: TP:1744
- Measurement SW: DASY52, Version 52.10 (4); SEMCAD X Version 14.6.14 (7501)

System Performance Check at 1900MHz/d=10mm, Pin=100mw/Area Scan (71x111x1): Interpolated grid: dx=1.500 mm, dy=1.500 mm

Maximum value of SAR (interpolated) = 4.47 W/kg

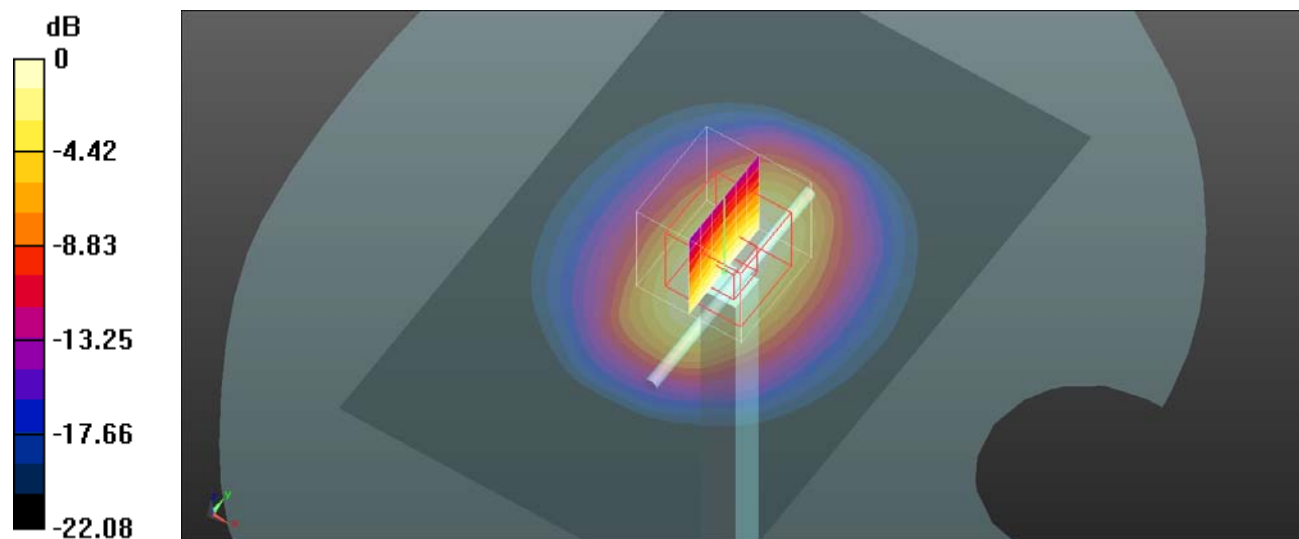
System Performance Check at 1900MHz/d=10mm, Pin=100mw/Zoom Scan (7x7x7)/Cube 0: Measurement grid: dx=5mm, dy=5mm, dz=5mm

Reference Value = 60.44 V/m; Power Drift = -0.03 dB

Peak SAR (extrapolated) = 5.88 W/kg

SAR(1 g) = 4.26 W/kg; SAR(10 g) = 2.25 W/kg

Maximum value of SAR (measured) = 4.58 W/kg



0 dB = 4.58 W/kg = 6.61 dBW/kg

System Performance 2600MHz**DUT: D2600V2; Type: 2600 MHz; Serial: 1162**

Communication System: UID 0, CW (0); Frequency: 2600 MHz; Duty Cycle: 1:1

Medium parameters used: $f = 2600$ MHz; $\sigma = 1.948$ S/m; $\epsilon_r = 39.713$; $\rho = 1000$ kg/m³

Phantom section: Flat Section

DASY5 Configuration:

- Probe: EX3DV4- SN3619; ConvF(6.53, 6.53, 6.53); Calibrated: 2021/08/25
- Sensor-Surface: 4mm (Mechanical Surface Detection)
- Electronics: DAE4 Sn1562; Calibrated: 2021/12/13
- Phantom: Twin SAM; Type: QD000P40CD; Serial: TP:1744
- Measurement SW: DASY52, Version 52.10 (4); SEMCAD X Version 14.6.14 (7501)

System Performance Check at 2600MHz/d=10mm, Pin=100mw/Area Scan (101x131x1): Interpolated grid: dx=1.000 mm, dy=1.000 mm

Maximum value of SAR (interpolated) = 7.01 W/kg

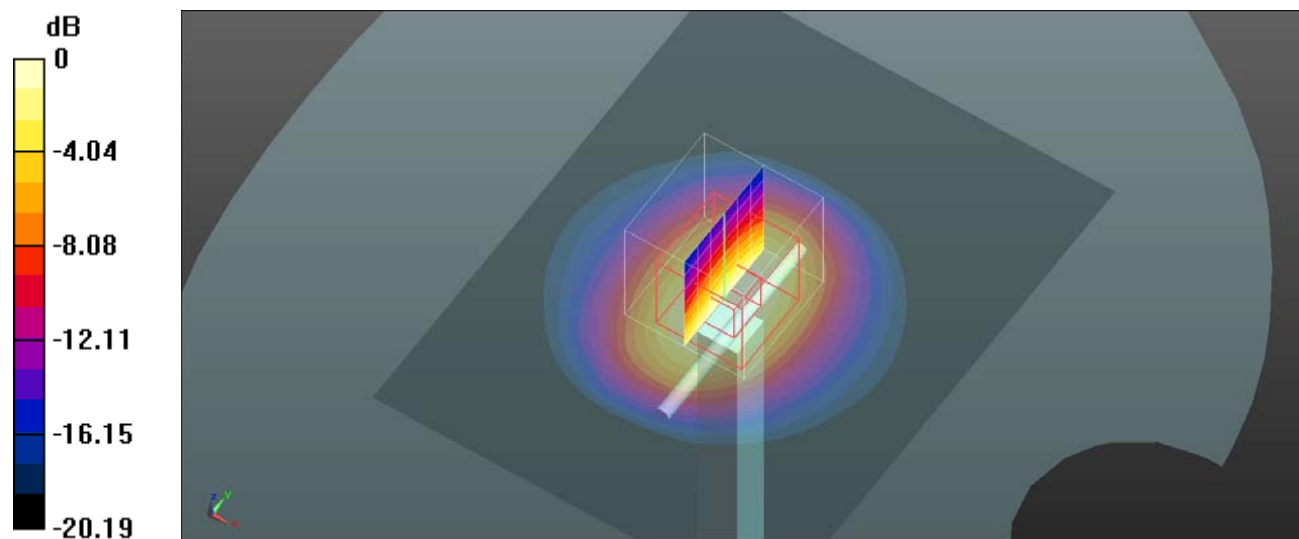
System Performance Check at 2600MHz/d=10mm, Pin=100mw/Zoom Scan (7x7x7)/Cube 0: Measurement grid: dx=5mm, dy=5mm, dz=5mm

Reference Value = 62.41 V/m; Power Drift = -0.17 dB

Peak SAR (extrapolated) = 12.8 W/kg

SAR(1 g) = 6.07 W/kg; SAR(10 g) = 2.51 W/kg

Maximum value of SAR (measured) = 7.46 W/kg



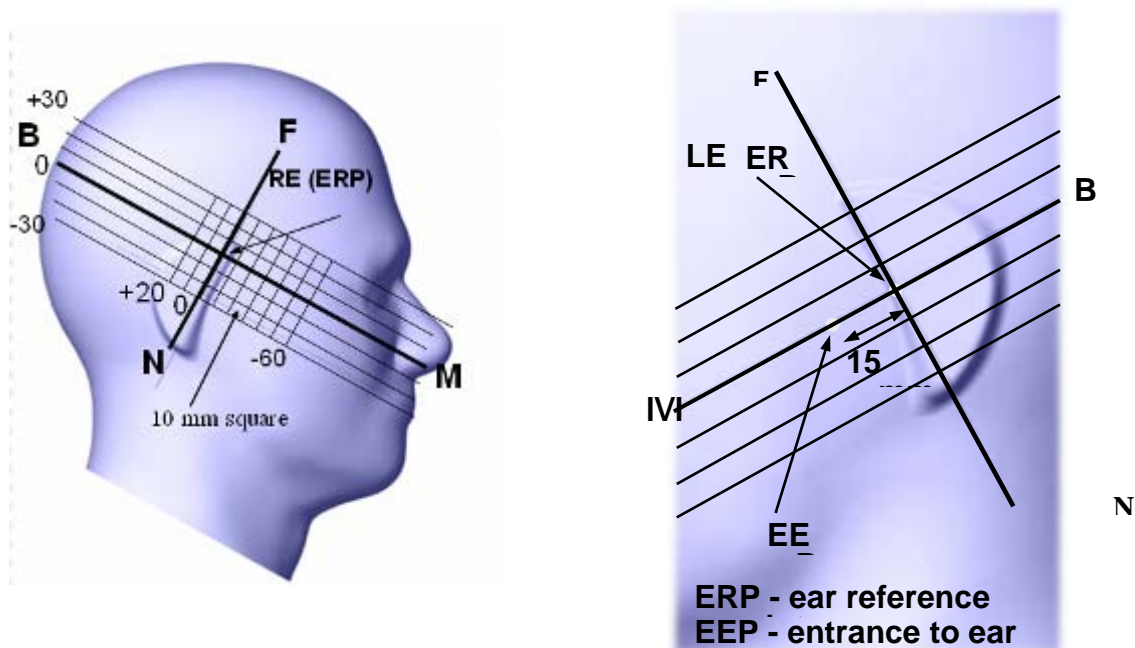
0 dB = 7.46 W/kg = 8.73 dBW/kg

EUT TEST STRATEGY AND METHODOLOGY

Test Positions for Device Operating Next to a Person's Ear

This category includes most wireless handsets with fixed, retractable or internal antennas located toward the top half of the device, with or without a foldout, sliding or similar keypad cover. The handset should have its earpiece located within the upper ¼ of the device, either along the centerline or off-centered, as perceived by its users. This type of handset should be positioned in a normal operating position with the “test device reference point” located along the “vertical centerline” on the front of the device aligned to the “ear reference point”. The “test device reference point” should be located at the same level as the center of the earpiece region. The “vertical centerline” should bisect the front surface of the handset at its top and bottom edges. A “ear reference point” is located on the outer surface of the head phantom on each ear spacer. It is located 1.5 cm above the center of the ear canal entrance in the “phantom reference plane” defined by the three lines joining the center of each “ear reference point” (left and right) and the tip of the mouth.

A handset should be initially positioned with the earpiece region pressed against the ear spacer of a head phantom. For the SCC-34/SC-2 head phantom, the device should be positioned parallel to the “N-F” line defined along the base of the ear spacer that contains the “ear reference point”. For interim head phantoms, the device should be positioned parallel to the cheek for maximum RF energy coupling. The “test device reference point” is aligned to the “ear reference point” on the head phantom and the “vertical centerline” is aligned to the “phantom reference plane”. This is called the “initial ear position”. While maintaining these three alignments, the body of the handset is gradually adjusted to each of the following positions for evaluating SAR:



Cheek/Touch Position

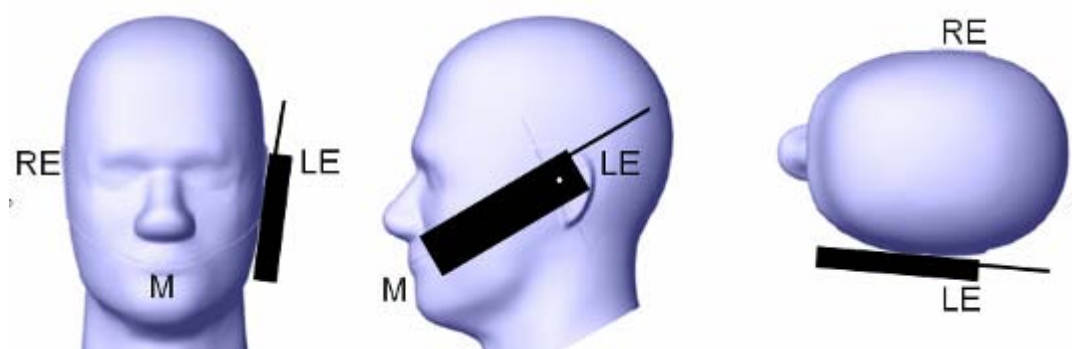
The device is brought toward the mouth of the head phantom by pivoting against the “ear reference point” or along the “N-F” line for the SCC-34/SC-2 head phantom.

This test position is established:

When any point on the display, keypad or mouthpiece portions of the handset is in contact with the phantom.
(or) When any portion of a foldout, sliding or similar keypad cover opened to its intended self-adjusting normal use position is in contact with the cheek or mouth of the phantom.

For existing head phantoms – when the handset loses contact with the phantom at the pivoting point, rotation should continue until the device touches the cheek of the phantom or breaks its last contact from the ear spacer.

Cheek /Touch Position



Ear/Tilt Position

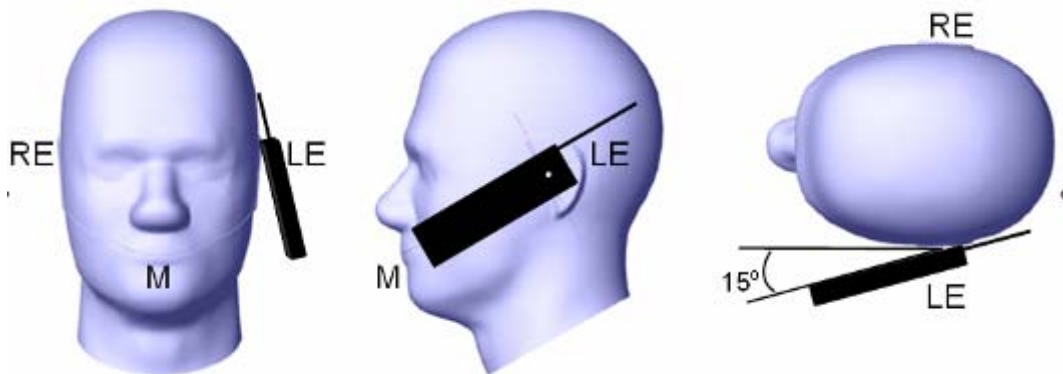
With the handset aligned in the “Cheek/Touch Position”:

1) If the earpiece of the handset is not in full contact with the phantom’s ear spacer (in the “Cheek/Touch position”) and the peak SAR location for the “Cheek/Touch” position is located at the ear spacer region or corresponds to the earpiece region of the handset, the device should be returned to the “initial ear position” by rotating it away from the mouth until the earpiece is in full contact with the ear spacer.

2) (otherwise) The handset should be moved (translated) away from the cheek perpendicular to the line passes through both “ear reference points” (note: one of these ear reference points may not physically exist on a split head model) for approximate 2-3 cm. While it is in this position, the device handset is tilted away from the mouth with respect to the “test device reference point” until the inside angle between the vertical centerline on the front surface of the phone and the horizontal line passing through the ear reference point is by 15° to 80° . After the tilt, it is then moved (translated) back toward the head perpendicular to the line passes through both “ear reference points” until the device touches the phantom or the ear spacer. If the antenna touches the head first, the positioning process should be repeated with a tilt angle less than 15° so that the device and its antenna would touch the phantom simultaneously. This test position may require a device holder or positioner to achieve the translation and tilting with acceptable positioning repeatability.

If a device is also designed to transmit with its keypad cover closed for operating in the head position, such positions should also be considered in the SAR evaluation. The device should be tested on the left and right side of the head phantom in the “Cheek/Touch” and “Ear/Tilt” positions. When applicable, each configuration should be tested with the antenna in its fully extended and fully retracted positions. These test configurations should be tested at the high, middle and low frequency channels of each operating mode; for example, AMPS, CDMA, and TDMA. If the SAR measured at the middle channel for each test configuration (left, right, Cheek/Touch, Tilt/Ear, extended and retracted) is at least 2.0 dB lower than the SAR limit, testing at the high and low channels is optional for such test configuration(s). If the transmission band of the test device is less than 10 MHz, testing at the high and low frequency channels is optional.

Ear /Tilt 15° Position



Test positions for body-worn and other configurations

Body-worn operating configurations should be tested with the belt-clips and holsters attached to the device and positioned against a flat phantom in normal use configurations. Devices with a headset output should be tested with a headset connected to the device. When multiple accessories that do not contain metallic components are supplied with the device, the device may be tested with only the accessory that dictates the closest spacing to the body. When multiple accessories that contain metallic components are supplied with the device, the device must be tested with each accessory that contains a unique metallic component. If multiple accessories share an identical metallic component (e.g., the same metallic belt-clip used with different holsters with no other metallic components), only the accessory that dictates the closest spacing to the body must be tested.

Body-worn accessories may not always be supplied or available as options for some devices that are intended to be authorized for body-worn use. A separation distance of 1.5 cm between the back of the device and a flat phantom is recommended for testing body-worn SAR compliance under such circumstances. Other separation distances may be used, but they should not exceed 2.5 cm. In these cases, the device may use body-worn accessories that provide a separation distance greater than that tested for the device provided however that the accessory contains no metallic components.

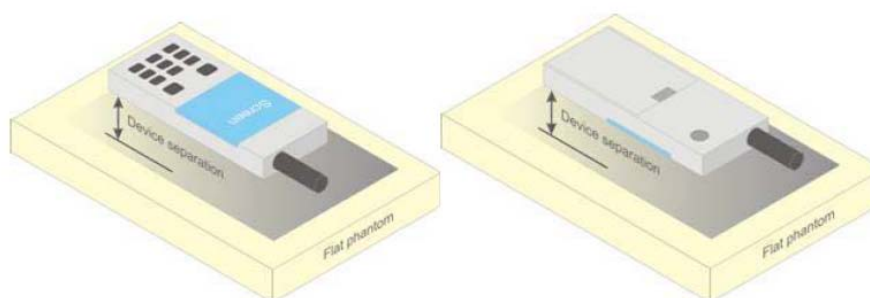


Figure 5 – Test positions for body-worn devices

Test Distance for SAR Evaluation

For this case the EUT(Equipment Under Test) is set 10mm away from the phantom, the test distance is 10mm.

SAR Evaluation Procedure

The evaluation was performed with the following procedure:

Step 1: Measurement of the SAR value at a fixed location above the ear point or central position was used as a reference value for assessing the power drop. The SAR at this point is measured at the start of the test and then again at the end of the testing.

Step 2: The SAR distribution at the exposed side of the head was measured at a distance of 4 mm from the inner surface of the shell. The area covered the entire dimension of the head or radiating structures of the EUT, the horizontal grid spacing was 15 mm x 15 mm, and the SAR distribution was determined by integrated grid of 1.5mm x 1.5mm. Based on these data, the area of the maximum absorption was determined by spline interpolation. The first Area Scan covers the entire dimension of the EUT to ensure that the hotspot was correctly identified.

Step 3: Around this point, a volume of 30 mm x 30 mm x 30 mm was assessed by measuring 7x 7 x 7 points. On the basis of this data set, the spatial peak SAR value was evaluated under the following procedure:

- 1) The data at the surface were extrapolated, since the center of the dipoles is 1.2 mm away from the tip of the probe and the distance between the surface and the lowest measuring point is 1.3 mm. The extrapolation was based on a least square algorithm. A polynomial of the fourth order was calculated through the points in z-axes. This polynomial was then used to evaluate the points between the surface and the probe tip.
- 2) The maximum interpolated value was searched with a straightforward algorithm. Around this maximum the SAR values averaged over the spatial volumes (1 g or 10 g) were computed by the 3D-Spline interpolation algorithm. The 3D-Spline is composed of three one dimensional splines with the "Not a knot"-condition (in x, y and z-directions). The volume was integrated with the trapezoidal-algorithm. One thousand points (10 x 10 x 10) were interpolated to calculate the averages.

All neighboring volumes were evaluated until no neighboring volume with a higher average value was found.

Step 4: Re-measurement of the SAR value at the same location as in Step 1. If the value changed by more than 5%, the evaluation was repeated.

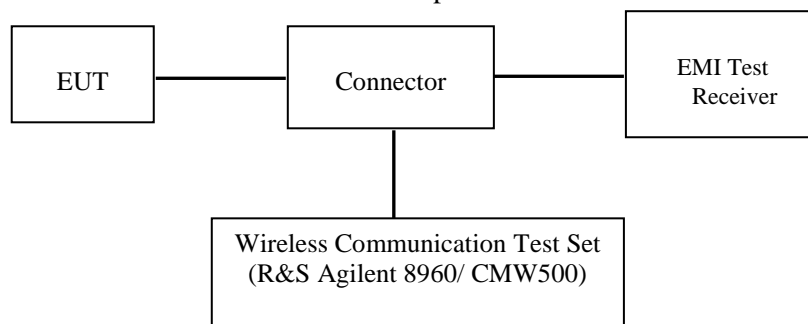
CONDUCTED OUTPUT POWER MEASUREMENT

Provision Applicable

The measured peak output power should be greater and within 5% than EMI measurement.

Test Procedure

The RF output of the transmitter was connected to the input of the EMI Test Receiver through Connector.



GSM/WCDMA/LTE

Radio Configuration

The power measurement was configured by the Wireless Communication Test Set.

GSM/GPRS/EGPRS

Function: Menu select > GSM Mobile Station > GSM 850/1900

Press Connection control to choose the different menus

Press RESET > choose all the reset all settings

Connection Press Signal Off to turn off the signal and change settings

Network Support > GSM + GPRS or GSM + EGSM

Main Service > Packet Data

Service selection > Test Mode A – Auto Slot Config. off

MS Signal Press Slot Config Bottom on the right twice to select and change the number of time slots and power setting

> Slot configuration > Uplink/Gamma

> 33 dBm for GPRS 850

> 30 dBm for GPRS 1900

> 27 dBm for EGPRS 850

> 26 dBm for EGPRS 1900

BS Signal Enter the same channel number for TCH channel (test channel) and BCCH channel

Frequency Offset > + 0 Hz

Mode > BCCH and TCH

BCCH Level > -85 dBm (May need to adjust if link is not stable)

BCCH Channel > choose desired test channel [Enter the same channel number for TCH channel (test channel) and BCCH channel]

Channel Type > Off

P0 > 4 dB

Slot Config > Unchanged (if already set under MS signal)

TCH > choose desired test channel

Hopping > Off

Main Timeslot > 3

Network Coding Scheme > CS4 (GPRS) and MCS5 (EGPRS)

Bit Stream > 2E9-1 PSR Bit Stream

AF/RF Enter appropriate offsets for Ext. Att. Output and Ext. Att. Input

Connection Press Signal on to turn on the signal and change settings

WCDMA Release 99

The following tests were conducted according to the test requirements outlines in section 5.2 of the 3GPP TS34.121-1 specification. The EUT has a nominal maximum output power of 24dBm (+1.7/-3.7).

WCDMA General Settings	Loopback Mode	Test Mode 1
	Rel99 RMC	12.2kbps RMC
	Power Control Algorithm	Algorithm2
	β_c/β_d	8/15

HSDPA

The following tests were conducted according to the test requirements outlines in section 5.2 of the 3GPP TS34.121-1 specification.

	Mode	HSDPA	HSDPA	HSDPA	HSDPA
	Subset	1	2	3	4
WCDMA General Settings	Loopback Mode	Test Mode 1			
	Rel99 RMC	12.2kbps RMC			
	HSDPA FRC	H-Set1			
	Power Control Algorithm	Algorithm2			
	β_c	2/15	12/15	15/15	15/15
	β_d	15/15	15/15	8/15	4/15
	β_d (SF)	64			
	β_c/β_d	2/15	12/15	15/8	15/4
	β_{hs}	4/15	24/15	30/15	30/15
MPR(dB)	0	0	0.5	0.5	
HSDPA Specifi c Setting s	DACK	8			
	DNAK	8			
	DCQI	8			
	Ack-Nack repetition factor	3			
	CQI Feedback	4ms			
	CQI Repetition Factor	2			
	$A_{hs}=\beta_{hs}/\beta_c$	30/15			

HSUPA

The following tests were conducted according to the test requirements outlines in section 5.2 of the 3GPP TS34.121-1 specification.

	Mode	HSUPA	HSUPA	HSUPA	HSUPA	HSUPA
	Subset	1	2	3	4	5
WCDMA General Settings	Loopback Mode	Test Mode 1				
	Rel99 RMC	12.2kbps RMC				
	HSDPA FRC	H-Set1				
	HSUPA Test	HSUPA Loopback				
	Power Control Algorithm	Algorithm2				
	β_c	11/15	6/15	15/15	2/15	15/15
	β_d	15/15	15/15	9/15	15/15	0
	β_{ec}	209/225	12/15	30/15	2/15	5/15
	β_c / β_d	11/15	6/15	15/9	2/15	-
	β_{hs}	22/15	12/15	30/15	4/15	5/15
	CM(dB)	1.0	3.0	2.0	3.0	1.0
MPR(dB)	0	2	1	2	0	
HSDPA Specific Settings	DACK	8				
	DNAK	8				
	DCQI	8				
	Ack-Nack repetition factor	3				
	CQI Feedback	4ms				
	CQI Repetition Factor	2				
	$A_{hs} = \beta_{hs} / \beta_c$	30/15				
HSUPA Specific Settings	DE-DPCCH	6	8	8	5	7
	DHARQ	0	0	0	0	0
	AG Index	20	12	15	17	21
	ETFCI	75	67	92	71	81
	Associated Max UL Data Rate kbps	242.1	174.9	482.8	205.8	308.9
	Reference E_FCIs	E-TFCI 11 E E-TFCI PO 4 E-TFCI 67 E-TFCI PO 18 E-TFCI 71 E-TFCI PO23 E-TFCI 75 E-TFCI PO26 E-TFCI 81 E-TFCI PO 27	E-TFCI 11 E-TFCI PO4 E-TFCI 92 E-TFCI PO 18	E-TFCI 11 E E-TFCI PO 4 E-TFCI 67 E-TFCI PO 18 E-TFCI 71 E-TFCI PO23 E-TFCI 75 E-TFCI PO26 E-TFCI 81 E-TFCI PO 27		

HSPA+

Sub-test	β_c (Note3)	β_d	β_{HS} (Note1)	β_{ec}	β_{ed} (2xSF2) (Note 4)	β_{ed} (2xSF4) (Note 4)	CM (dB) (Note 2)	MPR (dB) (Note 2)	AG Index (Note 4)	E-TFCI (Note 5)	E-TFCI (boost)
1	1	0	30/15	30/15	β_{ed1} : 30/15 β_{ed2} : 30/15	β_{ed3} : 24/15 β_{ed4} : 24/15	3.5	2.5	14	105	105

Note 1: Δ_{ACK} , Δ_{NACK} and $\Delta_{CQI} = 30/15$ with $\beta_{hs} = 30/15 * \beta_c$.

Note 2: CM = 3.5 and the MPR is based on the relative CM difference, MPR = MAX(CM-1,0).

Note 3: DPDCH is not configured, therefore the β_c is set to 1 and $\beta_d = 0$ by default.

Note 4: β_{ed} can not be set directly; it is set by Absolute Grant Value.

Note 5: All the sub-tests require the UE to transmit 2SF2+2SF4 16QAM EDCH and they apply for UE using E-DPDCH category 7. E-DCH TTI is set to 2ms TTI and E-DCH table index = 2. To support these E-DCH configurations DPDCH is not allocated. The UE is signalled to use the extrapolation algorithm.

The following tests were conducted according to the test requirements in Table C.11.1.4 of 3GPP TS 34.121-1

FDD-LTE

For UE Power Class 1 and 3, the allowed Maximum Power Reduction (MPR) for the maximum output power in Table 6.2.2-1 due to higher order modulation and transmit bandwidth configuration (resource blocks) is specified in Table 6.2.3-1.

Table 6.2.3-1: Maximum Power Reduction (MPR) for Power Class 1 and 3

Modulation	Channel bandwidth / Transmission bandwidth (N_{RB})						MPR (dB)
	1.4 MHz	3.0 MHz	5 MHz	10 MHz	15 MHz	20 MHz	
QPSK	> 5	> 4	> 8	> 12	> 16	> 18	≤ 1
16 QAM	≤ 5	≤ 4	≤ 8	≤ 12	≤ 16	≤ 18	≤ 1
16 QAM	> 5	> 4	> 8	> 12	> 16	> 18	≤ 2

For UE Power Class 1 and 3 the specific requirements and identified sub clauses are specified in Table 6.2.4-1 along with the allowed A-MPR values that may be used to meet these requirements. The allowed A-MPR values specified below in Table 6.2.4.-1 to 6.2.4-15 are in addition to the allowed MPR requirements specified in sub clause 6.2.3.

Table 6.2.4-1: Additional Maximum Power Reduction (A-MPR)

Network Signalling value	Requirements (subclause)	E-UTRA Band	Channel bandwidth (MHz)	Resources Blocks (N_{RB})	A-MPR (dB)
NS_01	6.6.2.1.1	Table 5.5-1	1.4, 3, 5, 10, 15, 20	Table 5.6-1	N/A
NS_03	6.6.2.2.1	2, 4, 10, 23, 25, 35, 36	3	>5	≤ 1
			5	>6	≤ 1
			10	>6	≤ 1
			15	>8	≤ 1
			20	>10	≤ 1
NS_04	6.6.2.2.2	41	5	>6	≤ 1
NS_05	6.6.3.3.1	1	10, 15, 20	Table 6.2.4-4	
NS_06	6.6.2.2.3	12, 13, 14, 17	10, 15, 20	≥ 50	≤ 1
NS_07	6.6.2.2.3	13	10	Table 6.2.4-2	
6.6.3.3.2					
NS_08	6.6.3.3.3	19	10, 15	> 44	≤ 3
NS_09	6.6.3.3.4	21	10, 15	> 40	≤ 1
				> 55	≤ 2
				Table 6.2.4-3	
NS_11	6.6.2.2.1	23	1.4, 3, 5, 10, 15, 20	Table 6.2.4-5	
NS_12	6.6.3.3.5	26	1.4, 3, 5	Table 6.2.4-6	
NS_13	6.6.3.3.6	26	5	Table 6.2.4-7	
NS_14	6.6.3.3.7	26	10, 15	Table 6.2.4-8	
NS_15	6.6.3.3.8	26	1.4, 3, 5, 10, 15	Table 6.2.4-9 Table 6.2.4-10	
NS_16	6.6.3.3.9	27	3, 5, 10	Table 6.2.4-11, Table 6.2.4-12, Table 6.2.4-13	
NS_17	6.6.3.3.10	28	5, 10	Table 5.6-1	N/A
NS_18	6.6.3.3.11	28	5	≥ 2	≤ 1
			10, 15, 20	≥ 1	≤ 4
NS_19	6.6.3.3.12	44	10, 15, 20	Table 6.2.4-14	
NS_20	6.2.2 6.6.2.2.1 6.6.3.2	23	5, 10, 15, 20	Table 6.2.4-15	
...					
NS_32	-	-	-	-	-

TDD-LTE

LTE TDD Band 41 supports 3GPP TS 36.211 section 4.2 for Type 2 Frame Structure and Table 4.2-2 for uplink-downlink configurations and Table 4.2-1 for Special subframe configurations.

Table 4.2-1: Configuration of special subframe (lengths of DwPTS/GP/UpPTS).

Special subframe configuration	Normal cyclic prefix in downlink			Extended cyclic prefix in downlink		
	DwPTS	UpPTS		DwPTS	UpPTS	
		Normal cyclic prefix in uplink	Extended cyclic prefix in uplink		Normal cyclic prefix in uplink	Extended cyclic prefix in uplink
0	$6592 \cdot T_s$	$2192 \cdot T_s$	$2560 \cdot T_s$	$7680 \cdot T_s$	$2192 \cdot T_s$	$2560 \cdot T_s$
1	$19760 \cdot T_s$			$20480 \cdot T_s$		
2	$21952 \cdot T_s$			$23040 \cdot T_s$		
3	$24144 \cdot T_s$			$25600 \cdot T_s$		
4	$26336 \cdot T_s$			$7680 \cdot T_s$		
5	$6592 \cdot T_s$	$4384 \cdot T_s$	$5120 \cdot T_s$	$20480 \cdot T_s$	$4384 \cdot T_s$	$5120 \cdot T_s$
6	$19760 \cdot T_s$			$23040 \cdot T_s$		
7	$21952 \cdot T_s$			$12800 \cdot T_s$		
8	$24144 \cdot T_s$			-		
9	$13168 \cdot T_s$			-		

Table 4.2-2: Uplink-downlink configurations.

Uplink-downlink configuration	Downlink-to-Uplink Switch-point periodicity	Subframe number									
		0	1	2	3	4	5	6	7	8	9
0	5 ms	D	S	U	U	U	D	S	U	U	U
1	5 ms	D	S	U	U	D	D	S	U	U	D
2	5 ms	D	S	U	D	D	D	S	U	D	D
3	10 ms	D	S	U	U	U	D	D	D	D	D
4	10 ms	D	S	U	U	D	D	D	D	D	D
5	10 ms	D	S	U	D	D	D	D	D	D	D
6	5 ms	D	S	U	U	U	D	S	U	U	D

Calculated Duty Cycle

Uplink-Downlink Configuration	Downlink-to-Uplink Switch-point Periodicity	Subframe Number										Calculated Duty Cycle (%)
		0	1	2	3	4	5	6	7	8	9	
0	5 ms	D	S	U	U	U	D	S	U	U	U	63.33
1	5 ms	D	S	U	U	D	D	S	U	U	D	43.33
2	5 ms	D	S	U	D	D	D	S	U	D	D	23.33
3	10 ms	D	S	U	U	U	D	D	D	D	D	31.67
4	10 ms	D	S	U	U	D	D	D	D	D	D	21.67
5	10 ms	D	S	U	D	D	D	D	D	D	D	11.67
6	5 ms	D	S	U	U	U	D	S	U	U	D	53.33

Calculated Duty Cycle = Extended cyclic prefix in uplink x (T_s) x # of S + # of U

Example for Calculated Duty Cycle for Uplink-Downlink Configuration 0:
 Calculated Duty Cycle = $5120 \times [1/(15000 \times 2048)] \times 2 + 6 \text{ ms} = 63.33\%$
 where
 T_s = 1/(15000 x 2048) seconds

Maximum Target Output Power

Max Target Power(dBm)			
Mode/Band	Channel		
	Low	Middle	High
GSM 850	33.2	33.2	33.2
GPRS 1 TX Slot	33.2	33.2	33.2
GPRS 2 TX Slot	30.5	30.5	30.5
GPRS 3 TX Slot	28.5	28.5	28.5
GPRS 4 TX Slot	27.5	27.5	27.5
EDGE 1 TX Slot	29.5	29.5	29.5
EDGE 2 TX Slot	27.0	27.0	27.0
EDGE 3 TX Slot	26.0	26.0	26.0
EDGE 4 TX Slot	23.5	23.5	23.5
PCS 1900	29.5	29.5	29.5
GPRS 1 TX Slot	26.5	26.5	26.5
GPRS 2 TX Slot	25.0	25.0	25.0
GPRS 3 TX Slot	22.5	22.5	22.5
GPRS 4 TX Slot	21.0	21.0	21.0
EDGE 1 TX Slot	26.0	26.0	26.0
EDGE 2 TX Slot	24.0	24.0	24.0
EDGE 3 TX Slot	22.0	22.0	22.0
EDGE 4 TX Slot	21.0	21.0	21.0
WCDMA Band 2	20.0	20.0	20.0
HSDPA	20.0	20.0	20.0
HSUPA	20.0	20.0	20.0
HSPA+	20.0	20.0	20.0
WCDMA Band 4	20.0	20.0	20.0
HSDPA	20.0	20.0	20.0
HSUPA	20.0	20.0	20.0
HSPA+	20.0	20.0	20.0
WCDMA Band 5	23.5	23.5	23.5
HSDPA	23.5	23.5	23.5
HSUPA	23.5	23.5	23.5
HSPA+	23.5	23.5	23.5
LTE Band 2	20.0	20.0	20.0
LTE Band 4	20.5	20.5	20.5
LTE Band 5	24.5	24.5	24.5
LTE Band 7	19.5	19.5	19.5
LTE Band 38	20.5	20.5	20.5
LTE Band 41	20.5	20.5	20.5

Max Target Power(dBm)			
Mode/Band	Channel		
	Low	Middle	High
WLAN 2.4G	9.5	9.5	9.5
WLAN 5.2G	7.5	7.5	7.5
WLAN 5.8G	7.5	7.5	7.5
Bluetooth BDR/EDR	4.0	4.0	4.0
BLE	4.5	4.5	4.5

Test Results:

GSM:

Band	Channel No.	Frequency (MHz)	RF Output Power (dBm)
GSM 850	128	824.2	32.7
	190	836.6	32.9
	251	848.8	33.0
PCS 1900	512	1850.2	28.8
	661	1880	29.0
	810	1909.8	29.2

GPRS:

Band	Channel No.	Frequency (MHz)	RF Output Power (dBm)			
			1 slot	2 slots	3 slots	4 slots
GSM 850	128	824.2	32.72	30.20	28.14	26.72
	190	836.6	32.84	30.34	28.29	26.87
	251	848.8	33.01	30.48	28.32	27.01
PCS 1900	512	1850.2	26.13	24.27	21.94	20.45
	661	1880	26.32	24.63	22.31	20.52
	810	1909.8	26.49	24.52	22.35	20.53

EDGE:

Band	Channel No.	Frequency (MHz)	RF Output Power (dBm)			
			1 slot	2 slots	3 slots	4 slots
GSM 850	128	824.2	28.97	26.95	25.55	23.29
	190	836.6	29.26	26.86	25.42	23.09
	251	848.8	29.31	26.73	25.34	23.00
PCS 1900	512	1850.2	25.66	23.52	21.59	20.92
	661	1880	25.93	23.67	21.65	20.51
	810	1909.8	25.31	22.98	20.86	19.63

For SAR, the time based average power is relevant, the difference in between depends on the duty cycle of the TDMA signal.

Number of Time slot	1	2	3	4
Duty Cycle	1:8	1:4	1:2.66	1:2
Time based Ave. power compared to slotted Ave. power	-9 dB	-6 dB	-4.25 dB	-3 dB
Crest Factor	8	4	2.66	2

The time based average power for GPRS

Band	Channel No.	Frequency (MHz)	RF Output Power (dBm)			
			1 slot	2 slots	3 slots	4 slots
GSM 850	128	824.2	23.72	24.20	23.89	23.72
	190	836.6	23.84	24.34	24.04	23.87
	251	848.8	24.01	24.48	24.07	24.01
PCS 1900	512	1850.2	17.13	18.27	17.69	17.45
	661	1880	17.32	18.63	18.06	17.52
	810	1909.8	17.49	18.52	18.10	17.53

The time based average power for EDGE

Band	Channel No.	Frequency (MHz)	RF Output Power (dBm)			
			1 slot	2 slots	3 slots	4 slots
GSM 850	128	824.2	19.97	20.95	21.30	20.29
	190	836.6	20.26	20.86	21.17	20.09
	251	848.8	20.31	20.73	21.09	20.00
PCS 1900	512	1850.2	16.66	17.52	17.34	17.92
	661	1880	16.93	17.67	17.40	17.51
	810	1909.8	16.31	16.98	16.61	16.63

Note:

1. Rohde & Schwarz Radio Communication Tester (CMU200) was used for the measurement of GSM peak and average output power for active timeslots.
2. For GSM voice, 1 timeslot has been activated with power level 5 (850 MHz band) and 0 (1900 MHz band).
3. For GPRS, 1, 2, 3 and 4 timeslots has been activated separately with power level 3(850 MHz band) and 3(1900 MHz band).

WCDMA Band 2:

Test Condition	Test Mode	3GPP Sub Test	Averaged Mean Power (dBm)		
			Low Frequency	Mid Frequency	High Frequency
Normal	RMC12.2k		19.50	19.35	19.62
	HSDPA	1	18.07	18.06	17.84
		2	18.09	17.93	17.74
		3	18.03	17.96	17.93
		4	18.02	18.10	18.04
	HSUPA	1	18.35	18.04	18.05
		2	18.22	18.17	18.27
		3	18.33	18.14	18.37
		4	18.27	18.29	18.32
		5	18.58	18.32	18.47
	HSPA+	1	18.20	18.52	18.84

WCDMA Band 4:

Test Condition	Test Mode	3GPP Sub Test	Averaged Mean Power (dBm)		
			Low Frequency	Mid Frequency	High Frequency
Normal	RMC12.2k		19.81	19.94	19.92
	HSDPA	1	18.14	18.45	18.28
		2	18.31	18.33	18.45
		3	18.58	18.27	18.40
		4	18.43	18.46	18.48
	HSUPA	1	18.66	18.79	18.88
		2	19.09	18.70	18.88
		3	18.91	18.90	18.90
		4	18.81	18.73	18.78
		5	18.98	19.11	18.87
	HSPA+	1	18.60	19.01	18.76

WCDMA Band 5:

Test Condition	Test Mode	3GPP Sub Test	Averaged Mean Power (dBm)		
			Low Frequency	Mid Frequency	High Frequency
Normal	RMC12.2k		23.06	23.48	23.40
	HSDPA	1	22.46	22.10	22.27
		2	22.30	22.09	22.29
		3	22.25	22.35	22.22
		4	22.29	22.38	22.11
	HSUPA	1	22.50	22.53	22.44
		2	22.37	22.15	22.41
		3	22.44	22.19	22.45
		4	22.25	22.23	22.40
		5	22.32	22.22	22.11
	HSPA+	1	22.13	22.46	22.18

Note:

1. The default test configuration is to measure SAR with an established radio link between the EUT and a communication test set using a 12.2 kbps RMC (reference measurement Channel) Configured in Test Loop Model 1.
2. KDB 941225 D01-Body SAR is not required for HSDPA/HSUPA/ HSPA+ when the maximum average output of each RF channel is less than ¼ dB higher than measured 12.2kbps RMC or the maximum SAR for 12.2kbps RMC is < 75% of SAR limit.

LTE Band 2:

Test Bandwidth	Test Modulation	Resource Block & RB offset	Target MPR	Meas MPR	Low Channel (dBm)	Middle Channel (dBm)	High Channel (dBm)
1.4M	QPSK	RB1#0	0	0	18.44	18.04	18.12
		RB1#3	0	0	18.72	18.27	18.18
		RB1#5	0	0	18.55	18.11	18.11
		RB3#0	1	1	18.62	18.20	18.06
		RB3#3	1	1	18.78	18.21	18.27
		RB6#0	1	1	17.60	18.20	17.75
	16-QAM	RB1#0	1	1	17.57	17.11	17.75
		RB1#3	1	1	17.89	17.22	17.99
		RB1#5	1	1	17.73	17.03	17.79
		RB3#0	2	2	17.83	17.34	17.78
		RB3#3	2	2	17.79	17.39	17.72
		RB6#0	2	2	16.73	17.18	16.79
3M	QPSK	RB1#0	0	0	18.76	18.09	18.41
		RB1#8	0	0	18.95	18.23	18.72
		RB1#14	0	0	18.99	18.11	18.57
		RB6#0	1	1	17.76	18.13	17.94
		RB6#9	1	1	17.89	18.24	17.75
		RB15#0	1	1	17.77	18.17	17.82
	16-QAM	RB1#0	1	1	18.09	17.20	17.79
		RB1#8	1	1	18.46	17.37	17.94
		RB1#14	1	1	18.33	17.24	17.62
		RB6#0	2	2	16.73	17.27	16.81
		RB6#9	2	2	16.97	17.26	16.81
		RB15#0	2	2	16.85	17.07	17.00
5M	QPSK	RB1#0	0	0	18.47	18.81	18.32
		RB1#13	0	0	19.19	19.34	18.95
		RB1#24	0	0	18.93	18.83	18.20
		RB15#0	1	1	17.86	18.24	17.80
		RB15#10	1	1	17.99	18.15	17.81
		RB25#0	1	1	17.90	18.20	17.77
	16-QAM	RB1#0	1	1	17.11	18.16	17.50
		RB1#13	1	1	17.94	18.56	17.99
		RB1#24	1	1	17.60	18.12	17.52
		RB15#0	2	2	16.89	17.19	16.97
		RB15#10	2	2	16.98	17.11	16.89
		RB25#0	2	2	16.94	17.16	16.74

Test Bandwidth	Test Modulation	Resource Block & RB offset	Target MPR	Meas MPR	Low Channel (dBm)	Middle Channel (dBm)	High Channel (dBm)
10M	QPSK	RB1#0	0	0	17.85	18.87	18.60
		RB1#25	0	0	18.56	19.15	18.85
		RB1#49	0	0	19.12	19.42	18.88
		RB25#0	1	1	17.47	18.22	17.97
		RB25#25	1	1	18.15	18.52	18.12
		RB50#0	1	1	17.76	18.43	18.13
	16-QAM	RB1#0	1	1	17.51	18.33	17.90
		RB1#25	1	1	18.26	18.37	17.83
		RB1#49	1	1	18.79	18.73	18.19
		RB25#0	2	2	16.44	17.26	17.07
		RB25#25	2	2	17.01	17.44	17.17
		RB50#0	2	2	16.68	17.27	17.13
15M	QPSK	RB1#0	0	0	17.85	19.27	18.17
		RB1#38	0	0	18.72	19.24	18.27
		RB1#74	0	0	18.65	19.39	17.99
		RB36#0	1	1	17.60	18.40	17.27
		RB36#39	1	1	18.07	18.31	17.10
		RB75#0	1	1	17.88	18.30	17.16
	16-QAM	RB1#0	1	1	17.68	18.36	17.59
		RB1#38	1	1	18.43	18.36	17.59
		RB1#74	1	1	18.49	18.53	17.26
		RB36#0	2	2	16.51	17.28	16.36
		RB36#39	2	2	16.95	17.39	16.31
		RB75#0	2	2	16.70	17.29	16.29
20M	QPSK	RB1#0	0	0	19.03	19.53	19.52
		RB1#50	0	0	19.05	19.21	18.19
		RB1#99	0	0	19.07	19.94	18.18
		RB50#0	1	1	19.09	19.08	18.52
		RB50#50	1	1	18.29	18.69	17.40
		RB100#0	1	1	18.18	18.65	17.49
	16-QAM	RB1#0	1	1	17.89	17.43	18.07
		RB1#50	1	1	18.45	18.48	17.86
		RB1#99	1	1	18.29	19.15	17.73
		RB50#0	2	2	16.97	17.71	16.60
		RB50#50	2	2	17.24	17.64	16.45
		RB100#0	2	2	17.15	17.63	16.66

LTE Band 4:

Test Bandwidth	Test Modulation	Resource Block & RB offset	Target MPR	Meas MPR	Low Channel (dBm)	Middle Channel (dBm)	High Channel (dBm)
1.4M	QPSK	RB1#0	0	0	19.95	19.91	19.90
		RB1#3	0	0	19.88	19.95	19.81
		RB1#5	0	0	19.96	19.91	19.79
		RB3#0	1	1	19.96	19.96	19.80
		RB3#3	1	1	19.97	20.02	19.76
		RB6#0	1	1	18.89	18.97	18.75
	16-QAM	RB1#0	1	1	19.58	19.69	18.74
		RB1#3	1	1	19.42	19.65	18.65
		RB1#5	1	1	19.59	19.55	18.81
		RB3#0	2	2	18.85	18.83	18.85
		RB3#3	2	2	18.91	18.77	18.68
		RB6#0	2	2	18.90	18.70	18.58
3M	QPSK	RB1#0	0	0	19.90	19.89	19.90
		RB1#8	0	0	20.06	20.08	20.00
		RB1#14	0	0	19.98	19.96	19.70
		RB6#0	1	1	18.92	19.06	18.79
		RB6#9	1	1	18.89	18.96	18.85
		RB15#0	1	1	18.86	19.06	18.82
	16-QAM	RB1#0	1	1	19.42	19.59	18.73
		RB1#8	1	1	19.18	19.69	18.71
		RB1#14	1	1	19.37	19.55	18.58
		RB6#0	2	2	18.91	18.65	18.60
		RB6#9	2	2	19.03	18.87	18.31
		RB15#0	2	2	19.06	18.74	18.61
5M	QPSK	RB1#0	0	0	19.86	19.91	19.69
		RB1#13	0	0	20.02	19.99	19.65
		RB1#24	0	0	19.95	19.97	19.64
		RB15#0	1	1	18.87	19.02	18.94
		RB15#10	1	1	19.07	18.92	18.88
		RB25#0	1	1	19.01	18.89	18.70
	16-QAM	RB1#0	1	1	17.92	19.00	18.31
		RB1#13	1	1	18.06	19.02	18.46
		RB1#24	1	1	17.99	18.93	18.30
		RB15#0	2	2	18.88	18.65	19.01
		RB15#10	2	2	19.00	18.91	18.69
		RB25#0	2	2	18.91	18.72	18.84

Test Bandwidth	Test Modulation	Resource Block & RB offset	Target MPR	Meas MPR	Low Channel (dBm)	Middle Channel (dBm)	High Channel (dBm)
10M	QPSK	RB1#0	0	0	19.71	20.01	20.00
		RB1#25	0	0	19.86	19.89	19.89
		RB1#49	0	0	19.79	19.95	20.00
		RB25#0	1	1	18.80	18.86	18.88
		RB25#25	1	1	19.09	18.84	18.64
		RB50#0	1	1	18.85	18.90	18.68
	16-QAM	RB1#0	1	1	18.98	18.97	18.25
		RB1#25	1	1	18.95	19.03	18.22
		RB1#49	1	1	19.05	18.93	18.26
		RB25#0	2	2	19.44	18.60	19.42
		RB25#25	2	2	19.50	19.38	19.14
15M	QPSK	RB1#0	0	0	19.77	20.05	19.88
		RB1#38	0	0	19.85	19.90	19.97
		RB1#74	0	0	19.88	19.83	19.98
		RB36#0	1	1	18.46	18.29	18.37
		RB36#39	1	1	18.48	18.50	18.32
		RB75#0	1	1	18.61	18.27	18.40
	16-QAM	RB1#0	1	1	18.94	19.66	19.20
		RB1#38	1	1	18.96	19.58	19.14
		RB1#74	1	1	19.14	19.68	19.17
		RB36#0	2	2	18.76	17.97	18.60
		RB36#39	2	2	18.41	18.58	18.16
20M	QPSK	RB1#0	0	0	20.08	20.20	20.31
		RB1#50	0	0	19.97	19.98	19.87
		RB1#99	0	0	19.99	19.84	20.12
		RB50#0	1	1	18.91	19.49	18.96
		RB50#50	1	1	18.64	18.41	18.36
		RB100#0	1	1	18.46	19.56	18.33
	16-QAM	RB1#0	1	1	18.73	19.26	19.30
		RB1#50	1	1	18.84	19.24	19.29
		RB1#99	1	1	18.85	19.28	19.53
		RB50#0	2	2	19.17	18.37	18.78
		RB50#50	2	2	18.88	18.93	18.65
RB100#0	2	2	19.09	18.65	18.62		

LTE Band 5:

Test Bandwidth	Test Modulation	Resource Block & RB offset	Target MPR	Meas MPR	Low Channel (dBm)	Middle Channel (dBm)	High Channel (dBm)
1.4M	QPSK	RB1#0	0	0	23.76	23.80	24.00
		RB1#3	0	0	23.71	23.83	23.75
		RB1#5	0	0	23.72	23.75	23.78
		RB3#0	1	1	23.70	23.80	23.87
		RB3#3	1	1	23.83	23.91	23.72
		RB6#0	1	1	22.74	22.89	22.58
	16-QAM	RB1#0	1	1	22.76	23.27	21.99
		RB1#3	1	1	22.86	23.22	22.06
		RB1#5	1	1	22.87	23.33	22.09
		RB3#0	2	2	22.55	22.86	22.41
		RB3#3	2	2	22.55	22.74	22.28
		RB6#0	2	2	21.61	21.93	21.70
3M	QPSK	RB1#0	0	0	23.66	23.86	24.02
		RB1#8	0	0	23.72	23.80	24.05
		RB1#14	0	0	23.58	23.79	24.01
		RB6#0	1	1	22.73	22.72	22.78
		RB6#9	1	1	22.58	22.75	22.69
		RB15#0	1	1	22.71	22.80	22.71
	16-QAM	RB1#0	1	1	22.78	22.95	22.24
		RB1#8	1	1	22.78	22.96	22.30
		RB1#14	1	1	22.54	22.96	22.27
		RB6#0	2	2	21.84	21.87	21.80
		RB6#9	2	2	22.07	21.93	21.81
		RB15#0	2	2	21.62	21.86	21.72
5M	QPSK	RB1#0	0	0	23.57	23.89	23.76
		RB1#13	0	0	23.65	23.89	23.79
		RB1#24	0	0	23.63	23.80	23.75
		RB15#0	1	1	22.81	22.61	22.79
		RB15#10	1	1	22.51	22.80	22.60
		RB25#0	1	1	22.60	22.81	22.77
	16-QAM	RB1#0	1	1	22.04	22.76	22.65
		RB1#13	1	1	21.89	22.80	22.65
		RB1#24	1	1	21.96	22.68	22.61
		RB15#0	2	2	21.75	21.68	21.61
		RB15#10	2	2	22.01	21.77	21.65
		RB25#0	2	2	21.97	21.66	21.87

Test Bandwidth	Test Modulation	Resource Block & RB offset	Target MPR	Meas MPR	Low Channel (dBm)	Middle Channel (dBm)	High Channel (dBm)
10M	QPSK	RB1#0	0	0	23.76	23.72	23.64
		RB1#25	0	0	23.70	23.90	23.59
		RB1#49	0	0	23.71	23.87	23.53
		RB25#0	1	1	22.56	22.78	22.90
		RB25#25	1	1	22.68	22.86	22.84
		RB50#0	1	1	22.66	22.86	22.85
	16-QAM	RB1#0	1	1	23.16	23.26	22.43
		RB1#25	1	1	22.87	23.51	22.56
		RB1#49	1	1	23.00	23.61	22.52
		RB25#0	2	2	22.02	21.75	22.28
		RB25#25	2	2	21.62	21.81	21.85
		RB50#0	2	2	21.53	21.92	21.76

LTE Band 7:

Test Bandwidth	Test Modulation	Resource Block & RB offset	Target MPR	Meas MPR	Low Channel (dBm)	Middle Channel (dBm)	High Channel (dBm)
5M	QPSK	RB1#0	0	0	17.58	18.69	19.19
		RB1#13	0	0	17.50	18.94	18.72
		RB1#24	0	0	17.52	18.52	18.63
		RB15#0	1	1	16.57	17.66	17.89
		RB15#10	1	1	16.71	17.73	17.69
		RB25#0	1	1	16.73	17.79	17.56
	16-QAM	RB1#0	1	1	16.36	17.97	17.61
		RB1#13	1	1	16.55	18.01	17.89
		RB1#24	1	1	16.64	17.82	18.05
		RB15#0	2	2	15.58	16.70	16.85
		RB15#10	2	2	15.89	16.77	17.02
		RB25#0	2	2	15.78	16.74	17.00
10M	QPSK	RB1#0	0	0	17.07	18.23	18.77
		RB1#25	0	0	17.37	18.46	19.09
		RB1#49	0	0	17.27	18.53	19.03
		RB25#0	1	1	16.16	17.28	17.84
		RB25#25	1	1	16.49	17.29	17.65
		RB50#0	1	1	16.24	17.27	17.66
	16-QAM	RB1#0	1	1	16.74	17.21	17.58
		RB1#25	1	1	17.02	17.64	17.98
		RB1#49	1	1	17.03	17.64	17.94
		RB25#0	2	2	15.10	16.49	16.85
		RB25#25	2	2	15.47	16.50	16.98
		RB50#0	2	2	15.57	16.47	16.73
15M	QPSK	RB1#0	0	0	16.93	18.04	18.45
		RB1#38	0	0	17.40	18.35	18.76
		RB1#74	0	0	17.37	18.43	18.80
		RB36#0	1	1	16.12	17.25	17.75
		RB36#39	1	1	16.52	17.63	17.77
		RB75#0	1	1	16.34	17.20	17.74
	16-QAM	RB1#0	1	1	16.50	17.24	17.87
		RB1#38	1	1	16.81	17.67	17.99
		RB1#74	1	1	17.05	17.29	18.25
		RB36#0	2	2	15.21	16.34	16.58
		RB36#39	2	2	15.54	16.33	16.93
		RB75#0	2	2	15.33	16.34	16.67

Test Bandwidth	Test Modulation	Resource Block & RB offset	Target MPR	Meas MPR	Low Channel (dBm)	Middle Channel (dBm)	High Channel (dBm)
20M	QPSK	RB1#0	0	0	18.27	18.67	18.98
		RB1#50	0	0	17.49	18.75	18.83
		RB1#99	0	0	17.37	18.33	18.70
		RB50#0	1	1	18.08	18.88	19.09
		RB50#50	1	1	16.81	17.54	17.43
		RB100#0	1	1	18.49	18.69	18.61
	16-QAM	RB1#0	1	1	16.07	17.10	18.00
		RB1#50	1	1	16.69	17.84	18.51
		RB1#99	1	1	16.74	17.35	18.11
		RB50#0	2	2	15.08	16.35	16.62
		RB50#50	2	2	15.81	16.40	16.71
		RB100#0	2	2	15.52	16.39	16.60

LTE Band 38:

Test Bandwidth	Test Modulation	Resource Block & RB offset	Target MPR	Meas MPR	Low Channel (dBm)	Middle Channel (dBm)	High Channel (dBm)
5M	QPSK	RB1#0	0	0	19.68	19.70	19.63
		RB1#13	0	0	19.78	19.81	19.82
		RB1#24	0	0	19.50	19.73	19.61
		RB15#0	1	1	18.69	18.71	18.82
		RB15#10	1	1	18.71	18.62	18.83
		RB25#0	1	1	18.89	18.72	18.57
	16-QAM	RB1#0	1	1	18.77	18.74	18.95
		RB1#13	1	1	18.60	18.77	19.03
		RB1#24	1	1	18.65	18.57	18.83
		RB15#0	2	2	17.54	17.72	17.65
		RB15#10	2	2	17.35	17.65	17.68
		RB25#0	2	2	17.64	17.55	17.50
10M	QPSK	RB1#0	0	0	19.70	19.93	19.63
		RB1#25	0	0	19.96	19.90	19.95
		RB1#49	0	0	19.65	19.77	19.75
		RB25#0	1	1	18.92	18.89	18.84
		RB25#25	1	1	18.61	18.77	18.77
		RB50#0	1	1	18.69	18.68	18.85
	16-QAM	RB1#0	1	1	19.14	18.79	18.85
		RB1#25	1	1	19.26	18.94	19.10
		RB1#49	1	1	18.77	18.72	18.69
		RB25#0	2	2	17.57	17.76	17.78
		RB25#25	2	2	17.78	17.85	17.68
		RB50#0	2	2	17.72	17.73	17.79
15M	QPSK	RB1#0	0	0	19.70	19.59	19.50
		RB1#38	0	0	19.61	19.73	19.71
		RB1#74	0	0	19.66	19.55	19.70
		RB36#0	1	1	18.78	18.59	18.81
		RB36#39	1	1	18.71	18.70	18.54
		RB75#0	1	1	18.51	18.50	18.45
	16-QAM	RB1#0	1	1	18.75	18.39	18.83
		RB1#38	1	1	18.72	18.63	18.88
		RB1#74	1	1	18.81	18.60	18.82
		RB36#0	2	2	17.57	17.57	17.66
		RB36#39	2	2	17.64	17.83	17.64
		RB75#0	2	2	17.48	17.55	17.74

Test Bandwidth	Test Modulation	Resource Block & RB offset	Target MPR	Meas MPR	Low Channel (dBm)	Middle Channel (dBm)	High Channel (dBm)
20M	QPSK	RB1#0	0	0	19.40	19.49	19.61
		RB1#50	0	0	20.00	19.94	19.95
		RB1#99	0	0	19.37	19.43	19.65
		RB50#0	1	1	18.74	18.74	18.83
		RB50#50	1	1	18.55	18.61	18.69
		RB100#0	1	1	18.55	18.61	18.92
	16-QAM	RB1#0	1	1	18.56	18.64	18.89
		RB1#50	1	1	18.92	18.86	19.15
		RB1#99	1	1	18.54	18.46	18.72
		RB50#0	2	2	17.56	17.70	17.66
		RB50#50	2	2	17.87	17.81	17.62
		RB100#0	2	2	17.50	17.62	17.61

LTE Band 41:

Test Bandwidth	Test Modulation	Resource Block & RB offset	Target MPR	Meas MPR	Low Channel (dBm)	Middle Channel (dBm)	High Channel (dBm)
5M	QPSK	RB1#0	0	0	19.58	19.54	19.65
		RB1#13	0	0	19.65	19.80	19.55
		RB1#24	0	0	19.43	19.67	19.42
		RB15#0	1	1	18.58	18.64	18.62
		RB15#10	1	1	18.63	18.57	18.30
		RB25#0	1	1	18.61	18.85	18.34
	16-QAM	RB1#0	1	1	18.43	18.62	18.67
		RB1#13	1	1	18.61	18.77	18.88
		RB1#24	1	1	18.29	18.68	18.52
		RB15#0	2	2	17.58	17.55	17.28
		RB15#10	2	2	17.34	17.49	17.66
		RB25#0	2	2	17.51	17.69	17.35
10M	QPSK	RB1#0	0	0	19.66	19.62	19.59
		RB1#25	0	0	19.82	20.13	19.86
		RB1#49	0	0	19.65	19.72	19.42
		RB25#0	1	1	18.51	18.64	18.34
		RB25#25	1	1	18.58	18.45	18.40
		RB50#0	1	1	18.65	18.75	18.44
	16-QAM	RB1#0	1	1	18.61	18.55	18.64
		RB1#25	1	1	19.04	18.94	18.89
		RB1#49	1	1	18.77	18.65	18.48
		RB25#0	2	2	17.49	17.82	17.44
		RB25#25	2	2	17.57	17.70	17.52
		RB50#0	2	2	17.62	17.61	17.48
15M	QPSK	RB1#0	0	0	19.58	19.74	19.53
		RB1#38	0	0	19.48	19.51	19.56
		RB1#74	0	0	19.59	19.79	19.43
		RB36#0	1	1	18.50	18.76	18.52
		RB36#39	1	1	18.50	18.55	18.60
		RB75#0	1	1	18.69	18.65	18.45
	16-QAM	RB1#0	1	1	18.79	18.60	18.69
		RB1#38	1	1	18.68	18.76	18.71
		RB1#74	1	1	18.71	18.65	18.75
		RB36#0	2	2	17.55	17.56	17.38
		RB36#39	2	2	17.53	17.61	17.45
		RB75#0	2	2	17.48	17.77	17.41

Test Bandwidth	Test Modulation	Resource Block & RB offset	Target MPR	Meas MPR	Low Channel (dBm)	Middle Channel (dBm)	High Channel (dBm)
20M	QPSK	RB1#0	0	0	19.96	20.06	19.89
		RB1#50	0	0	19.82	19.90	19.98
		RB1#99	0	0	19.39	19.51	19.32
		RB50#0	1	1	19.11	19.25	18.92
		RB50#50	1	1	18.59	18.68	18.56
		RB100#0	1	1	18.52	18.93	18.44
	16-QAM	RB1#0	1	1	18.47	18.31	18.56
		RB1#50	1	1	18.98	18.99	18.99
		RB1#99	1	1	18.43	18.52	18.37
		RB50#0	2	2	17.38	17.61	17.34
		RB50#50	2	2	17.49	17.67	17.61
		RB100#0	2	2	17.34	17.79	17.68

Wi-Fi 2.4G:

Mode	Channel frequency (MHz)	Data Rate	Conducted Average Output
802.11b	2412	1Mbps	8.78
	2442		8.60
	2472		9.25
802.11g	2412	6Mbps	8.52
	2442		8.15
	2472		8.25
802.11n HT20	2412	MCS0	8.60
	2442		8.52
	2472		8.86
802.11n HT40	2422	MCS0	8.95
	2442		8.97
	2462		9.08

Bluetooth:

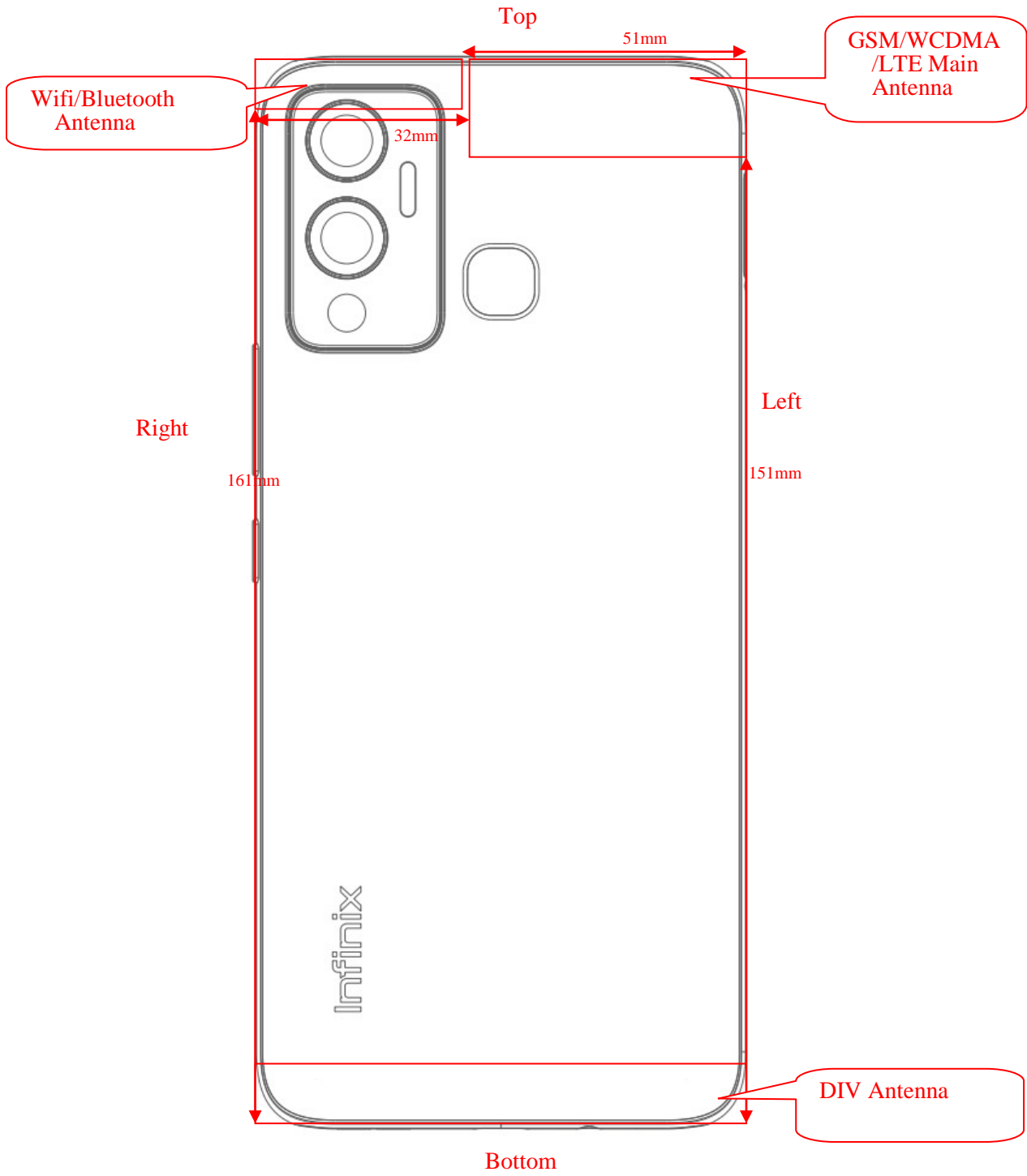
Mode	Channel frequency (MHz)	RF Output Power (dBm)
BDR(GFSK)	2402	0.55
	2441	0.93
	2451	1.84
	2480	-0.43
EDR($\pi/4$ -DQPSK)	2402	2.06
	2441	2.41
	2451	3.39
	2480	0.83
EDR(8DPSK)	2402	2.45
	2441	2.94
	2449	3.51
	2480	1.34
BLE_1M	2402	4.13
	2440	2.98
	2480	1.73
BLE_2M	2402	4.04
	2440	3.26
	2480	2.06

WLAN 5G:

Mode	Channel frequency	Data Rate	RF Output Power(dBm)
802.11a	5180	6Mbps	7.12
	5200		6.38
	5240		6.98
	5745		7.22
	5785		6.83
	5825		7.09
802.11n HT20	5180	MCS0	6.90
	5200		6.78
	5240		7.03
	5745		5.63
	5785		7.40
	5825		7.15
802.11n HT40	5190	MCS0	5.72
	5230		6.80
	5755		5.45
	5795		5.38
802.11AC20	5180	MCS0	6.87
	5200		7.04
	5240		7.27
	5745		6.65
	5785		7.19
	5825		7.37
802.11AC40	5190	MCS0	6.61
	5230		7.22
	5755		6.59
	5795		7.39
802.11AC80	5210	MCS0	6.90
	5775		6.14

Standalone SAR test exclusion considerations

Antennas Location:



Back View

Note: The DIV antenna can only receive.

Antenna Distance To Edge

Antenna Distance To Edge(mm)					
Antenna	Back	Left	Right	Top	Bottom
wifi/Bluetooth	< 5	51	< 5	< 5	161
Main ant(GSM/WCDMA/LTE)	< 5	< 5	32	< 5	151

Standalone SAR test exclusion considerations

Mode	Frequency (MHz)	Output Power (dBm)	Output Power (mW)	Distance (mm)	Calculated value	Threshold (1-g)	SAR Test Exclusion
Bluetooth	2480	4.5	2.82	0	0.9	3	Yes
2.4G WLAN	2472	9.5	8.91	0	2.8	3	Yes
5.2G WLAN	5240	7.5	5.62	0	2.6	3	Yes
5.8G WLAN	5825	7.5	5.62	0	2.7	3	Yes

NOTE:

The 1-g and 10-g SAR test exclusion thresholds for 100 MHz to 6 GHz at test separation distances ≤ 50 mm are determined by:

$[(\text{max. power of channel, including tune-up tolerance, mW}) / (\text{min. test separation distance, mm})] \cdot [\sqrt{f(\text{GHz})}] \leq 3.0$ for 1-g SAR and ≤ 7.5 for 10-g extremity SAR, where

1. $f(\text{GHz})$ is the RF channel transmit frequency in GHz.
2. Power and distance are rounded to the nearest mW and mm before calculation.
3. The result is rounded to one decimal place for comparison.
4. When the minimum test separation distance is < 5 mm, a distance of 5 mm is applied to determine SAR test Exclusion.

Standalone SAR estimation:

Mode	Frequency (MHz)	Output Power (dBm)	Output Power (mW)	Distance (mm)	Estimated 1-g (W/kg)
BT Head	2480	4.5	2.82	0	0.12
BT Body	2480	4.5	2.82	10	0.06
2.4Gwifi	2472	9.5	8.91	0	0.37
2.4Gwifi	2472	9.5	8.91	10	0.19
5.2Gwifi	5240	7.5	5.62	0	0.34
5.2Gwifi	5240	7.5	5.62	10	0.17
5.8Gwifi	5825	7.5	5.62	0	0.36
5.8Gwifi	5825	7.5	5.62	10	0.18

When standalone SAR test exclusion applies to an antenna that transmits simultaneously with other antennas, the standalone SAR must be estimated according to following to determine simultaneous transmission SAR test exclusion:

$$[(\text{max. power of channel, including tune-up tolerance, mW}) / (\text{min. test separation distance, mm})] \cdot [\sqrt{f(\text{GHz})/x}]$$

W/kg for test separation distances ≤ 50 mm;

where $x = 7.5$ for 1-g SAR.

When the minimum test separation distance is < 5 mm, a distance of 5 mm is applied to determine SAR test Exclusion

SAR test exclusion for the EUT edge considerations Result

Antenna Distance To Edge(mm)					
Mode	Back	Left	Right	Top	Bottom
Bluetooth	Exclusion*	Exclusion*	Exclusion*	Exclusion*	Exclusion*
2.4GWi-Fi	Exclusion*	Exclusion*	Exclusion*	Exclusion*	Exclusion*
5GWi-Fi	Exclusion*	Exclusion*	Exclusion*	Exclusion*	Exclusion*
Main ANT(GSM/WCDMA/LTE)	Required	Required	Exclusion	Required	Exclusion

Note:

Required: The distance to Edge is less than 25mm, testing is required.

Exclusion*: SAR test exclusion evaluation has been done above.

Exclusion: The distance to Edge is more than 25 mm, testing is not required.

SAR MEASUREMENT RESULTS

This page summarizes the results of the performed dosimetric evaluation.

SAR Test Data

Environmental Conditions

Temperature:	22.1-23.9 °C	22.6-23.9 °C	22.0-23.6 °C	22.1-23.9 °C	22.8-24.3 °C
Relative Humidity:	44-63%	45-62 %	44-58 %	40-55 %	42-58 %
ATM Pressure:	101.2 kPa	101.5 kPa	101.3 kPa	101.8 kPa	101.4 kPa
Test Date:	2022/2/7	2022/2/8	2022/2/9	2022/2/10	2022/2/11

Testing was performed by Seven Liang, Jacky Yang, Fake ou.

GSM 850 :

EUT Position	Frequency (MHz)	Test Mode	Max. Meas. Power (dBm)	Max. Rated Power (dBm)	1g SAR (W/kg)			
					Scaled Factor	Meas. SAR	Scaled SAR	Plot
Head Left Cheek	824.2	GSM	/	/	/	/	/	/
	836.6	GSM	32.9	33.2	1.072	0.435	0.47	1#
	848.8	GSM	/	/	/	/	/	/
Head Left Tilt	824.2	GSM	/	/	/	/	/	/
	836.6	GSM	32.9	33.2	1.072	0.450	0.48	2#
	848.8	GSM	/	/	/	/	/	/
Head Right Cheek	824.2	GSM	/	/	/	/	/	/
	836.6	GSM	32.9	33.2	1.072	0.676	0.72	3#
	848.8	GSM	/	/	/	/	/	/
Head Right Tilt	824.2	GSM	/	/	/	/	/	/
	836.6	GSM	32.9	33.2	1.072	0.736	0.79	4#
	848.8	GSM	/	/	/	/	/	/
Body Worn Back (10mm)	824.2	GSM	/	/	/	/	/	/
	836.6	GSM	32.9	33.2	1.072	0.366	0.39	5#
	848.8	GSM	/	/	/	/	/	/
Body Back (10mm)	824.2	GPRS	/	/	/	/	/	/
	836.6	GPRS	30.34	30.5	1.038	0.281	0.29	6#
	848.8	GPRS	/	/	/	/	/	/
Body Left (10mm)	824.2	GPRS	/	/	/	/	/	/
	836.6	GPRS	30.34	30.5	1.038	0.149	0.15	7#
	848.8	GPRS	/	/	/	/	/	/
Body Top (10mm)	824.2	GPRS	/	/	/	/	/	/
	836.6	GPRS	30.34	30.5	1.038	0.260	0.27	8#
	848.8	GPRS	/	/	/	/	/	/

Note:

1. When the 1-g SAR is $\leq 0.8\text{W/Kg}$, testing for other channels are optional.
2. The EUT transmit and receive through the same GSM antenna while testing SAR.
3. When SAR or MPE is not measured at the maximum power level allowed for production units, the results must be scaled to the maximum tune-up tolerance limit according to the power applied to the individual channels tested to determine compliance.
4. When the maximum output power variation across the required test channels is $> 0.5\text{ dB}$, instead of the middle channel, the highest output power channel must be used.
5. The Multi-slot Classes of EUT is Class 12 which has maximum 4 Downlink slots and 4 Uplink slots, the maximum active slots is 5, when perform the multiple slots scan, 3DL+2UL is the worst case.

PCS 1900 :

EUT Position	Frequency (MHz)	Test Mode	Max. Meas. Power (dBm)	Max. Rated Power (dBm)	1g SAR (W/kg)			
					Scaled Factor	Meas. SAR	Scaled SAR	Plot
Head Left Cheek	1850.2	GSM	/	/	/	/	/	/
	1880	GSM	29.0	29.5	1.122	0.541	0.61	9#
	1909.8	GSM	/	/	/	/	/	/
Head Left Tilt	1850.2	GSM	/	/	/	/	/	/
	1880	GSM	29.0	29.5	1.122	0.705	0.79	10#
	1909.8	GSM	/	/	/	/	/	/
Head Right Cheek	1850.2	GSM	28.8	29.5	1.175	0.821	0.96	11#
	1880	GSM	29.0	29.5	1.122	0.837	0.94	12#
	1909.8	GSM	29.2	29.5	1.072	0.700	0.75	13#
Head Right Tilt	1850.2	GSM	28.8	29.5	1.175	1.03	1.21	14#
	1880	GSM	29.0	29.5	1.122	0.995	1.12	15#
	1909.8	GSM	29.2	29.5	1.072	0.923	0.99	16#
Body Worn Back (10mm)	1850.2	GSM	/	/	/	/	/	/
	1880	GSM	29.0	29.5	1.122	0.547	0.61	17#
	1909.8	GSM	/	/	/	/	/	/
Body Back (10mm)	1850.2	GPRS	/	/	/	/	/	/
	1880	GPRS	24.63	25.0	1.089	0.698	0.76	18#
	1909.8	GPRS	/	/	/	/	/	/
Body Left (10mm)	1850.2	GPRS	/	/	/	/	/	/
	1880	GPRS	24.63	25.0	1.089	0.195	0.21	19#
	1909.8	GPRS	/	/	/	/	/	/
Body Top (10mm)	1850.2	GPRS	/	/	/	/	/	/
	1880	GPRS	24.63	25.0	1.089	0.726	0.79	20#
	1909.8	GPRS	/	/	/	/	/	/

Note:

1. When the 1-g SAR is $\leq 0.8\text{W/Kg}$, testing for other channels are optional.
2. The EUT transmit and receive through the same GSM antenna while testing SAR.
3. When SAR or MPE is not measured at the maximum power level allowed for production units, the results must be scaled to the maximum tune-up tolerance limit according to the power applied to the individual channels tested to determine compliance.
4. When the maximum output power variation across the required test channels is $> 0.5\text{ dB}$, instead of the middle channel, the highest output power channel must be used.
5. The Multi-slot Classes of EUT is Class 12 which has maximum 4 Downlink slots and 4 Uplink slots, the maximum active slots is 5, when perform the multiple slots scan, 3DL+2UL is the worst case.

WCDMA Band 2 :

EUT Position	Frequency (MHz)	Test Mode	Max. Meas. Power (dBm)	Max. Rated Power (dBm)	1g SAR (W/kg)			
					Scaled Factor	Meas. SAR	Scaled SAR	Plot
Head Left Cheek	1852.4	RMC	/	/	/	/	/	/
	1880	RMC	19.85	20.0	1.035	0.674	0.70	21#
	1907.6	RMC	/	/	/	/	/	/
Head Left Tilt	1852.4	RMC	19.90	20.0	1.023	0.943	0.96	22#
	1880	RMC	19.85	20.0	1.035	0.988	1.02	23#
	1907.6	RMC	19.82	20.0	1.042	0.823	0.86	24#
Head Right Cheek	1852.4	RMC	19.90	20.0	1.023	1.13	1.16	25#
	1880	RMC	19.85	20.0	1.035	1.02	1.06	26#
	1907.6	RMC	19.82	20.0	1.042	0.949	0.99	27#
Head Right Tilt	1852.4	RMC	19.90	20.0	1.023	1.13	1.16	28#
	1880	RMC	19.85	20.0	1.035	1.07	1.11	29#
	1907.6	RMC	19.82	20.0	1.042	1.01	1.05	30#
Body Back (10mm)	1852.4	RMC	/	/	/	/	/	/
	1880	RMC	19.85	20.0	1.035	0.638	0.66	31#
	1907.6	RMC	/	/	/	/	/	/
Body Left (10mm)	1852.4	RMC	/	/	/	/	/	/
	1880	RMC	19.85	20.0	1.035	0.155	0.16	32#
	1907.6	RMC	/	/	/	/	/	/
Body Top (10mm)	1852.4	RMC	/	/	/	/	/	/
	1880	RMC	19.85	20.0	1.035	0.628	0.65	33#
	1907.6	RMC	/	/	/	/	/	/

WCDMA Band 4 :

EUT Position	Frequency (MHz)	Test Mode	Max. Meas. Power (dBm)	Max. Rated Power (dBm)	1g SAR (W/kg)			
					Scaled Factor	Meas. SAR	Scaled SAR	Plot
Head Left Cheek	1712.4	RMC	/	/	/	/	/	/
	1732.6	RMC	19.94	20.0	1.014	0.569	0.58	34#
	1752.6	RMC	/	/	/	/	/	/
Head Left Tilt	1712.4	RMC	19.81	20.0	1.045	0.817	0.85	35#
	1732.6	RMC	19.94	20.0	1.014	0.858	0.87	36#
	1752.6	RMC	19.92	20.0	1.019	0.924	0.94	37#
Head Right Cheek	1712.4	RMC	19.81	20.0	1.045	0.885	0.92	38#
	1732.6	RMC	19.94	20.0	1.014	0.959	0.97	39#
	1752.6	RMC	19.92	20.0	1.019	1.02	1.04	40#
Head Right Tilt	1712.4	RMC	19.81	20.0	1.045	1.01	1.06	41#
	1732.6	RMC	19.94	20.0	1.014	1.08	1.10	42#
	1752.6	RMC	19.92	20.0	1.019	1.15	1.17	43#
Body Back (10mm)	1712.4	RMC	/	/	/	/	/	/
	1732.6	RMC	19.94	20.0	1.014	0.444	0.45	44#
	1752.6	RMC	/	/	/	/	/	/
Body Left (10mm)	1712.4	RMC	/	/	/	/	/	/
	1732.6	RMC	19.94	20.0	1.014	0.149	0.15	45#
	1752.6	RMC	/	/	/	/	/	/
Body Top (10mm)	1712.4	RMC	/	/	/	/	/	/
	1732.6	RMC	19.94	20.0	1.014	0.523	0.53	46#
	1752.6	RMC	/	/	/	/	/	/

WCDMA Band 5 :

EUT Position	Frequency (MHz)	Test Mode	Max. Meas. Power (dBm)	Max. Rated Power (dBm)	1g SAR (W/kg)			
					Scaled Factor	Meas. SAR	Scaled SAR	Plot
Head Left Cheek	826.4	RMC	/	/	/	/	/	/
	836.6	RMC	23.48	23.5	1.005	0.502	0.50	47#
	846.6	RMC	/	/	/	/	/	/
Head Left Tilt	826.4	RMC	/	/	/	/	/	/
	836.6	RMC	23.48	23.5	1.005	0.519	0.52	48#
	846.6	RMC	/	/	/	/	/	/
Head Right Cheek	826.4	RMC	23.06	23.5	1.107	0.877	0.97	49#
	836.6	RMC	23.48	23.5	1.005	0.905	0.91	50#
	846.6	RMC	23.40	23.5	1.023	0.700	0.72	51#
Head Right Tilt	826.4	RMC	23.06	23.5	1.107	0.829	0.92	52#
	836.6	RMC	23.48	23.5	1.005	0.809	0.81	53#
	846.6	RMC	23.40	23.5	1.023	0.813	0.83	54#
Body Back (10mm)	826.4	RMC	/	/	/	/	/	/
	836.6	RMC	23.48	23.5	1.005	0.401	0.40	55#
	846.6	RMC	/	/	/	/	/	/
Body Left (10mm)	826.4	RMC	/	/	/	/	/	/
	836.6	RMC	23.48	23.5	1.005	0.183	0.18	56#
	846.6	RMC	/	/	/	/	/	/
Body Top (10mm)	826.4	RMC	/	/	/	/	/	/
	836.6	RMC	23.48	23.5	1.005	0.149	0.15	57#
	846.6	RMC	/	/	/	/	/	/

Note:

1. When the 1-g SAR is $\leq 0.8W/Kg$, testing for other channels are optional.
2. The EUT transmit and receive through the same antenna while testing SAR.
3. The default test configuration is to measure SAR with an established radio link between the EUT and a communication test set using a 12.2 kbps RMC (reference measurement Channel) Configured in Test Loop Model.
4. KDB 941225 D01-Body SAR is not required for HSDPA/HSUPA/ HSPA+ when the maximum average output of each RF channel is less than $\frac{1}{4}$ dB higher than measured 12.2kbps RMC or the maximum SAR for 12.2kbps RMC is $< 75\%$ of SAR limit.
5. When SAR or MPE is not measured at the maximum power level allowed for production units, the results must be scaled to the maximum tune-up tolerance limit according to the power applied to the individual channels tested to determine compliance.

LTE Band 2 :

EUT Position	Frequency (MHz)	Bandwidth (MHz)	Test Mode	Max. Meas. Power (dBm)	Max. Rated Power (dBm)	1g SAR (W/kg)			
						Scaled Factor	Meas. SAR	Scaled SAR	Plot
Head Left Cheek	1860	20	1RB	/	/	/	/	/	/
	1880	20	1RB	19.53	20.0	1.114	0.687	0.77	58#
	1900	20	1RB	/	/	/	/	/	/
	1880	20	50%RB	19.08	20.0	1.236	0.455	0.56	59#
Head Left Tilt	1860	20	1RB	19.03	20.0	1.250	0.326	0.41	60#
	1880	20	1RB	19.53	20.0	1.114	0.885	0.99	61#
	1900	20	1RB	19.52	20.0	1.117	0.352	0.39	62#
	1880	20	50%RB	19.08	20.0	1.236	0.621	0.77	63#
	1880	20	100%RB	18.65	20.0	1.365	0.559	0.76	64#
Head Right Cheek	1860	20	1RB	19.03	20.0	1.250	0.414	0.52	65#
	1880	20	1RB	19.53	20.0	1.114	1.07	1.19	66#
	1900	20	1RB	19.52	20.0	1.117	0.419	0.47	67#
	1880	20	50%RB	19.08	20.0	1.236	0.777	0.96	68#
	1880	20	100%RB	18.65	20.0	1.365	0.647	0.88	69#
Head Right Tilt	1860	20	1RB	19.03	20.0	1.250	0.512	0.64	70#
	1880	20	1RB	19.53	20.0	1.114	1.09	1.21	71#
	1900	20	1RB	19.52	20.0	1.117	0.584	0.65	72#
	1860	20	50%RB	19.09	20.0	1.233	0.428	0.53	73#
	1880	20	50%RB	19.08	20.0	1.236	0.979	1.21	74#
	1900	20	50%RB	18.52	20.0	1.406	0.443	0.62	75#
	1880	20	100%RB	18.65	20.0	1.365	0.836	1.14	76#
Body Back (10mm)	1860	20	1RB	/	/	/	/	/	/
	1880	20	1RB	19.53	20.0	1.114	0.655	0.73	77#
	1900	20	1RB	/	/	/	/	/	/
	1880	20	50%RB	19.08	20.0	1.236	0.466	0.58	78#
Body Left (10mm)	1860	20	1RB	/	/	/	/	/	/
	1880	20	1RB	19.53	20.0	1.114	0.184	0.21	79#
	1900	20	1RB	/	/	/	/	/	/
	1880	20	50%RB	19.08	20.0	1.236	0.124	0.15	80#
Body Top (10mm)	1860	20	1RB	/	/	/	/	/	/
	1880	20	1RB	19.53	20.0	1.114	0.706	0.79	81#
	1900	20	1RB	/	/	/	/	/	/
	1880	20	50%RB	19.08	20.0	1.236	0.498	0.62	82#

LTE Band 4 :

EUT Position	Frequency (MHz)	Bandwidth (MHz)	Test Mode	Max. Meas. Power (dBm)	Max. Rated Power (dBm)	1g SAR (W/kg)			
						Scaled Factor	Meas. SAR	Scaled SAR	Plot
Head Left Cheek	1720	20	1RB	/	/	/	/	/	/
	1732.5	20	1RB	20.20	20.5	1.072	0.630	0.68	83#
	1745	20	1RB	/	/	/	/	/	/
	1732.5	20	50%RB	19.49	20.5	1.262	0.447	0.56	84#
Head Left Tilt	1720	20	1RB	20.08	20.5	1.102	0.873	0.96	85#
	1732.5	20	1RB	20.20	20.5	1.072	0.917	0.98	86#
	1745	20	1RB	20.31	20.5	1.045	0.958	1.00	87#
	1732.5	20	50%RB	19.49	20.5	1.262	0.654	0.83	88#
	1732.5	20	100%RB	19.56	20.5	1.242	0.661	0.82	89#
Head Right Cheek	1720	20	1RB	20.08	20.5	1.102	0.932	1.03	90#
	1732.5	20	1RB	20.20	20.5	1.072	1.01	1.08	91#
	1745	20	1RB	20.31	20.5	1.045	1.04	1.09	92#
	1732.5	20	50%RB	19.49	20.5	1.262	0.713	0.90	93#
	1732.5	20	100%RB	19.56	20.5	1.242	0.714	0.89	94#
Head Right Tilt	1720	20	1RB	20.08	20.5	1.102	1.01	1.11	95#
	1732.5	20	1RB	20.20	20.5	1.072	1.08	1.16	96#
	1745	20	1RB	20.31	20.5	1.045	1.12	1.17	97#
	1732.5	20	50%RB	19.49	20.5	1.262	0.934	1.18	98#
	1732.5	20	100%RB	19.56	20.5	1.242	0.945	1.17	99#
Body Back (10mm)	1720	20	1RB	/	/	/	/	/	/
	1732.5	20	1RB	20.20	20.5	1.072	0.526	0.56	100#
	1745	20	1RB	/	/	/	/	/	/
	1732.5	20	50%RB	19.49	20.5	1.262	0.362	0.46	101#
Body Left (10mm)	1720	20	1RB	/	/	/	/	/	/
	1732.5	20	1RB	20.20	20.5	1.072	0.183	0.20	102#
	1745	20	1RB	/	/	/	/	/	/
	1732.5	20	50%RB	19.49	20.5	1.262	0.126	0.16	103#
Body Top (10mm)	1720	20	1RB	/	/	/	/	/	/
	1732.5	20	1RB	20.20	20.5	1.072	0.663	0.71	104#
	1745	20	1RB	/	/	/	/	/	/
	1732.5	20	50%RB	19.49	20.5	1.262	0.477	0.60	105#

LTE Band 5 :

EUT Position	Frequency (MHz)	Bandwidth (MHz)	Test Mode	Max. Meas. Power (dBm)	Max. Rated Power (dBm)	1g SAR (W/kg)			
						Scaled Factor	Meas. SAR	Scaled SAR	Plot
Head Left Cheek	829	10	1RB	/	/	/	/	/	/
	836.5	10	1RB	23.72	24.5	1.197	0.580	0.69	106#
	844	10	1RB	/	/	/	/	/	/
	836.5	10	50%RB	22.78	24.5	1.486	0.473	0.70	107#
Head Left Tilt	829	10	1RB	/	/	/	/	/	/
	836.5	10	1RB	23.72	24.5	1.197	0.502	0.60	108#
	844	10	1RB	/	/	/	/	/	/
	836.5	10	50%RB	22.78	24.5	1.486	0.414	0.62	109#
Head Right Cheek	829	10	1RB	23.76	24.5	1.186	0.904	1.07	110#
	836.5	10	1RB	23.72	24.5	1.197	0.864	1.03	111#
	844	10	1RB	23.64	24.5	1.219	0.886	1.08	112#
	836.5	10	50%RB	22.78	24.5	1.486	0.669	0.99	113#
	836.5	10	100%RB	22.86	24.5	1.459	0.756	1.10	114#
Head Right Tilt	829	10	1RB	/	/	/	/	/	/
	836.5	10	1RB	23.72	24.5	1.197	0.593	0.71	115#
	844	10	1RB	/	/	/	/	/	/
	836.5	10	50%RB	22.78	24.5	1.486	0.512	0.76	116#
Body Back (10mm)	829	10	1RB	/	/	/	/	/	/
	836.5	10	1RB	23.72	24.5	1.197	0.431	0.52	117#
	844	10	1RB	/	/	/	/	/	/
	836.5	10	50%RB	22.78	24.5	1.486	0.352	0.52	118#
Body Left (10mm)	829	10	1RB	/	/	/	/	/	/
	836.5	10	1RB	23.72	24.5	1.197	0.161	0.19	119#
	844	10	1RB	/	/	/	/	/	/
	836.5	10	50%RB	22.78	24.5	1.486	0.146	0.22	120#
Body Top (10mm)	829	10	1RB	/	/	/	/	/	/
	836.5	10	1RB	23.72	24.5	1.197	0.294	0.35	121#
	844	10	1RB	/	/	/	/	/	/
	836.5	10	50%RB	22.78	24.5	1.486	0.235	0.35	122#

LTE Band 7 :

EUT Position	Frequency (MHz)	Bandwidth (MHz)	Test Mode	Max. Meas. Power (dBm)	Max. Rated Power (dBm)	1g SAR (W/kg)			
						Scaled Factor	Meas. SAR	Scaled SAR	Plot
Head Left Cheek	2510	20	1RB	/	/	/	/	/	/
	2535	20	1RB	18.67	19.5	1.211	0.362	0.44	123#
	2560	20	1RB	/	/	/	/	/	/
	2535	20	50%RB	18.88	19.5	1.153	0.315	0.36	124#
Head Left Tilt	2510	20	1RB	/	/	/	/	/	/
	2535	20	1RB	18.67	19.5	1.211	0.579	0.70	125#
	2560	20	1RB	/	/	/	/	/	/
	2535	20	50%RB	18.88	19.5	1.153	0.500	0.58	126#
Head Right Cheek	2510	20	1RB	18.27	19.5	1.327	0.608	0.81	127#
	2535	20	1RB	18.67	19.5	1.211	0.793	0.96	128#
	2560	20	1RB	18.98	19.5	1.127	1.01	1.14	129#
	2535	20	50%RB	18.88	19.5	1.153	0.702	0.81	130#
	2535	20	100%RB	18.69	19.5	1.205	0.732	0.88	131#
Head Right Tilt	2510	20	1RB	18.27	19.5	1.327	0.759	1.01	132#
	2535	20	1RB	18.67	19.5	1.211	0.930	1.13	133#
	2560	20	1RB	18.98	19.5	1.127	1.04	1.17	134#
	2510	20	50%RB	18.08	19.5	1.387	0.833	1.16	135#
	2535	20	50%RB	18.88	19.5	1.153	0.877	1.01	136#
	2560	20	50%RB	19.09	19.5	1.099	0.966	1.06	137#
	2535	20	100%RB	18.69	19.5	1.205	0.924	1.11	138#
Body Back (10mm)	2510	20	1RB	18.27	19.5	1.327	0.881	1.17	139#
	2535	20	1RB	18.67	19.5	1.211	0.976	1.18	140#
	2560	20	1RB	18.98	19.5	1.127	1.01	1.14	141#
	2510	20	50%RB	18.08	19.5	1.387	0.842	1.14	142#
	2535	20	50%RB	18.88	19.5	1.153	0.976	1.13	143#
	2560	20	50%RB	19.09	19.5	1.099	1.07	1.18	144#
	2535	20	100%RB	18.69	19.5	1.205	0.965	1.16	145#
Body Left (10mm)	2510	20	1RB	/	/	/	/	/	/
	2535	20	1RB	18.67	19.5	1.211	0.320	0.39	146#
	2560	20	1RB	/	/	/	/	/	/
	2535	20	50%RB	18.88	19.5	1.153	0.269	0.31	147#
Body Top (10mm)	2510	20	1RB	/	/	/	/	/	/
	2535	20	1RB	18.67	19.5	1.211	0.655	0.79	148#
	2560	20	1RB	/	/	/	/	/	/
	2535	20	50%RB	18.88	19.5	1.153	0.645	0.74	149#

LTE Band 41&38 :

EUT Position	Frequency (MHz)	Bandwidth (MHz)	Test Mode	Max. Meas. Power (dBm)	Max. Rated Power (dBm)	1g SAR (W/kg)			
						Scaled Factor	Meas. SAR	Scaled SAR	Plot
Head Left Cheek	2545	20	1RB	/	/	/	/	/	/
	2595	20	1RB	20.06	20.5	1.107	0.270	0.30	150#
	2645	20	1RB	/	/	/	/	/	/
	2595	20	50%RB	19.25	20.5	1.334	0.211	0.28	151#
Head Left Tilt	2545	20	1RB	/	/	/	/	/	/
	2595	20	1RB	20.06	20.5	1.107	0.470	0.52	152#
	2645	20	1RB	/	/	/	/	/	/
	2595	20	50%RB	19.25	20.5	1.334	0.382	0.51	153#
Head Right Cheek	2545	20	1RB	19.96	20.5	1.132	0.815	0.92	154#
	2595	20	1RB	20.06	20.5	1.107	0.933	1.03	155#
	2645	20	1RB	19.89	20.5	1.151	0.841	0.97	156#
	2595	20	50%RB	19.25	20.5	1.334	0.751	1.00	157#
	2595	20	100%RB	18.93	20.5	1.435	0.750	1.08	158#
Head Right Tilt	2545	20	1RB	19.96	20.5	1.132	1.02	1.16	159#
	2595	20	1RB	20.06	20.5	1.107	0.889	0.98	160#
	2645	20	1RB	19.89	20.5	1.151	0.991	1.14	161#
	2545	20	50%RB	19.11	20.5	1.377	0.756	1.04	162#
	2595	20	50%RB	19.25	20.5	1.334	0.836	1.11	163#
	2645	20	50%RB	18.92	20.5	1.439	0.592	0.85	164#
	2595	20	100%RB	18.93	20.5	1.435	0.810	1.16	165#
Body Back (10mm)	2545	20	1RB	19.96	20.5	1.132	0.997	1.13	166#
	2595	20	1RB	20.06	20.5	1.107	1.07	1.18	167#
	2645	20	1RB	19.89	20.5	1.151	1.01	1.16	168#
	2545	20	50%RB	19.11	20.5	1.377	0.727	1.00	169#
	2595	20	50%RB	19.25	20.5	1.334	0.825	1.10	170#
	2645	20	50%RB	18.92	20.5	1.439	0.613	0.88	171#
	2595	20	100%RB	18.93	20.5	1.435	0.792	1.14	172#
Body Left (10mm)	2545	20	1RB	/	/	/	/	/	/
	2595	20	1RB	20.06	20.5	1.107	0.212	0.23	173#
	2645	20	1RB	/	/	/	/	/	/
	2595	20	50%RB	19.25	20.5	1.334	0.303	0.40	174#
Body Top (10mm)	2545	20	1RB	/	/	/	/	/	/
	2595	20	1RB	20.06	20.5	1.107	0.598	0.66	175#
	2645	20	1RB	/	/	/	/	/	/
	2595	20	50%RB	19.25	20.5	1.334	0.459	0.61	176#

Note*:

1. The E-UTRA Operating Band 38 is a subset of band 41, and they are same in modulation type, therefore, they were considered as one frequency band during SAR measurement, LTE Band 41 (the wide frequency range) was selected to test.

Note:

1. When the 1-g SAR is $\leq 0.8\text{W/Kg}$, testing for other channels are optional.
2. SAR for LTE band exposure configurations is measured according to the procedures of KDB 941225 D05 SAR for LTE Devices v02.
3. KDB941225D05-SAR for higher order modulation is required only when the highest maximum output power for the configuration in the higher order modulation is $> 0.5\text{ dB}$ higher than the same configuration in QPSK or when the reported SAR for the QPSK configuration is $> 1.45\text{ W/kg}$
4. KDB941225D05-For QPSK with 100% RB allocation, when the reported SAR measured for the Highest output power channel is $< 1.45\text{ W/kg}$, tests for the remaining required test channels are optional.
5. KDB941225D05- For QPSK with 100% RB allocation, SAR is not required when the highest maximum output power for 100 % RB allocation is less than the highest maximum output power in 50% and 1 RB allocations and the highest reported SAR for 1 RB and 50% RB allocation are $\leq 0.8\text{ W/kg}$.
6. KDB941225D05- Start with the largest channel bandwidth and measure SAR for QPSK with 1 RB allocation, using the RB offset and required test channel combination with the highest maximum output power among RB offset the upper edge, middle and lower edge of each required test channel.
7. KDB941225D05- other channel bandwidths SAR test is required when the highest maximum output power of a configuration requiring testing in the smaller channel bandwidth is $> 0.5\text{ dB}$ higher than the equivalent channel configurations in the largest channel bandwidth configuration or the reported SAR of a configuration for the largest channel bandwidth is $> 1.45\text{ W/kg}$.
8. Worst case SAR for 50% RB allocation is selected to be tested.
9. KDB 648474 D04-When the peak SAR located in regions that probe is unable to access, a flat phantom is used for SAR measurement.

SAR Measurement Variability

In accordance with published RF Exposure KDB procedure 865664 D01 SAR measurement 100 MHz to 6 GHz v01. These additional measurements are repeated after the completion of all measurements requiring the same head or body tissue-equivalent medium in a frequency band. The test device should be returned to ambient conditions (normal room temperature) with the battery fully charged before it is re-mounted on the device holder for the repeated measurement(s) to minimize any unexpected variations in the repeated results

- 1) Repeated measurement is not required when the original highest measured SAR is < 0.80 W/kg; steps 2) through 4) do not apply.
- 2) When the original highest measured SAR is ≥ 0.80 W/kg, repeat that measurement once.
- 3) Perform a second repeated measurement only if the ratio of largest to smallest SAR for the original and first repeated measurements is > 1.20 or when the original or repeated measurement is ≥ 1.45 W/kg (~ 10% from the 1-g SAR limit).
- 4) Perform a third repeated measurement only if the original, first or second repeated measurement is ≥ 1.5 W/kg and the ratio of largest to smallest SAR for the original, first and second repeated measurements is > 1.20 .

The Highest Measured SAR Configuration in Each Frequency Band

Head

SAR probe calibration point	Frequency Band	Freq.(MHz)	EUT Position	Meas. SAR (W/kg)		Largest to Smallest SAR Ratio
				Original	Repeated	
1900MHz (1810-2000MHz)	PCS 1900	1850.2	Head Right Tilt	1.03	0.993	1.03
1900MHz (1810-2000MHz)	WCDMA Band 2	1852.4	Head Right Cheek	1.13	1.13	1.00
1900MHz (1810-2000MHz)	WCDMA Band 2	1852.4	Head Right Tilt	1.13	1.10	1.02
1800MHz (1650-1810MHz)	WCDMA Band 4	1752.6	Head Right Tilt	1.15	1.11	1.03
835MHz (810-860MHz)	WCDMA Band 5	836.6	Head Right Cheek	0.905	0.916	1.01
1900MHz (1810-2000MHz)	LTE Band 2	1880	Head Right Tilt	1.09	1.05	1.03
1800MHz (1650-1810MHz)	LTE Band 4	1745	Head Right Tilt	1.12	1.14	1.01
835MHz (810-860MHz)	LTE Band 5	829	Head Right Cheek	0.904	0.901	1.00
2600MHz (2500-2700MHz)	LTE Band 7	2560	Head Right Tilt	1.04	1.11	1.06
2600MHz (2500-2700MHz)	LTE Band 41	2545	Head Right Tilt	1.02	1.05	1.02

Body

SAR probe calibration point	Frequency Band	Freq.(MHz)	EUT Position	Meas. SAR (W/kg)		Largest to Smallest SAR Ratio
				Original	Repeated	
2600MHz (2500-2700MHz)	LTE Band 7	2560	Body Back	1.07	1.02	1.04
2600MHz (2500-2700MHz)	LTE Band 41	2595	Body Back	1.07	1.06	1.00

Note:

1. Second Repeated Measurement is not required since the ratio of the largest to smallest SAR for the original and first repeated measurement is not > 1.20.
2. The measured SAR results **do not** have to be scaled to the maximum tune-up tolerance to determine if repeated measurements are required.
3. SAR measurement variability must be assessed for each frequency band, which is determined by the **SAR probe calibration point and tissue-equivalent medium** used for the device measurements..

SAR SIMULTANEOUS TRANSMISSION DESCRIPTION

Simultaneous Transmission:

Description of Simultaneous Transmit Capabilities		
Transmitter Combination	Simultaneous?	Hotspot?
WWAN(GSM/WCDMA/LTE) + Bluetooth	√	×
WWAN(GSM/WCDMA/LTE) + WLAN	√	√
WLAN + Bluetooth	×	×

Simultaneous and Hotspot SAR test exclusion considerations:

Mode(SAR1+SAR2)	Position	Reported SAR(W/kg)		Σ SAR < 1.6W/kg
		SAR1	SAR2	
GSM 850+Bluetooth	Head Left Cheek	0.47	0.12	0.590
	Head Left Tilt	0.48	0.12	0.600
	Head Right Cheek	0.72	0.12	0.840
	Head Right Tilt	0.79	0.12	0.910
	Body Worn Back	0.39	0.06	0.450
	Body Back	0.29	0.06	0.350
PCS 1900+ Bluetooth	Head Left Cheek	0.61	0.12	0.730
	Head Left Tilt	0.79	0.12	0.910
	Head Right Cheek	0.96	0.12	1.080
	Head Right Tilt	1.21	0.12	1.330
	Body Worn Back	0.61	0.06	0.670
	Body Back	0.76	0.06	0.820
WCDMA Band 2+ Bluetooth	Head Left Cheek	0.70	0.12	0.820
	Head Left Tilt	1.02	0.12	1.140
	Head Right Cheek	1.16	0.12	1.280
	Head Right Tilt	1.16	0.12	1.280
	Body Back	0.66	0.06	0.720
WCDMA Band 4+ Bluetooth	Head Left Cheek	0.58	0.12	0.700
	Head Left Tilt	0.94	0.12	1.060
	Head Right Cheek	1.04	0.12	1.160
	Head Right Tilt	1.17	0.12	1.290
	Body Back	0.45	0.06	0.510
WCDMA Band 5+ Bluetooth	Head Left Cheek	0.50	0.12	0.50
	Head Left Tilt	0.52	0.12	0.52
	Head Right Cheek	0.97	0.12	0.97
	Head Right Tilt	0.92	0.12	0.92
	Body Back	0.40	0.06	0.40
LTE Band 2+ Bluetooth	Head Left Cheek	0.77	0.12	0.77
	Head Left Tilt	0.99	0.12	0.99
	Head Right Cheek	1.19	0.12	1.19
	Head Right Tilt	1.21	0.12	1.21
	Body Back	0.73	0.06	0.73

Mode(SAR1+SAR2)	Position	Reported SAR(W/kg)		Σ SAR < 1.6W/kg
		SAR1	SAR2	
LTE Band 4+ Bluetooth	Head Left Cheek	0.68	0.12	0.800
	Head Left Tilt	1.00	0.12	1.120
	Head Right Cheek	1.09	0.12	1.210
	Head Right Tilt	1.18	0.12	1.300
	Body Back	0.56	0.06	0.620
LTE Band 5+ Bluetooth	Head Left Cheek	0.70	0.12	0.820
	Head Left Tilt	0.62	0.12	0.740
	Head Right Cheek	1.10	0.12	1.220
	Head Right Tilt	0.76	0.12	0.880
	Body Back	0.52	0.06	0.580
LTE Band 7+ Bluetooth	Head Left Cheek	0.44	0.12	0.560
	Head Left Tilt	0.70	0.12	0.820
	Head Right Cheek	1.14	0.12	1.260
	Head Right Tilt	1.17	0.12	1.290
	Body Back	1.18	0.06	0.580
LTE Band 41&38+ Bluetooth	Head Left Cheek	0.30	0.12	0.420
	Head Left Tilt	0.52	0.12	0.640
	Head Right Cheek	1.08	0.12	1.200
	Head Right Tilt	1.16	0.12	1.280
	Body Back	1.18	0.06	1.240

Mode(SAR1+SAR2)	Position	Reported SAR(W/kg)		Σ SAR < 1.6W/kg
		SAR1	SAR2	
GSM 850+ Wi-Fi 2.4G	Head Left Cheek	0.47	0.37	0.840
	Head Left Tilt	0.48	0.37	0.850
	Head Right Cheek	0.72	0.37	1.090
	Head Right Tilt	0.79	0.37	1.160
GSM 850+ Wi-Fi 2.4G (Hotspot)	Body Back	0.29	0.19	0.480
	Body Left	0.15	/	0.150
	Body Right	/	0.19	0.190
	Body Top	0.27	0.19	0.460
	Body Bottom	/	/	0.000
PCS 1900+ Wi-Fi 2.4G	Head Left Cheek	0.61	0.37	0.980
	Head Left Tilt	0.79	0.37	1.160
	Head Right Cheek	0.96	0.37	1.330
	Head Right Tilt	1.21	0.37	1.580
PCS 1900+ Wi-Fi 2.4G (Hotspot)	Body Back	0.76	0.19	0.950
	Body Left	0.21	/	0.210
	Body Right	/	0.19	0.190
	Body Top	0.79	0.19	0.980
	Body Bottom	/	/	0.000
WCDMA Band 2+ Wi-Fi 2.4G	Head Left Cheek	0.70	0.37	1.070
	Head Left Tilt	1.02	0.37	1.390
	Head Right Cheek	1.16	0.37	1.530
	Head Right Tilt	1.16	0.37	1.530
WCDMA Band 2+ Wi-Fi 2.4G (Hotspot)	Body Back	0.66	0.19	0.850
	Body Left	0.16	/	0.160
	Body Right	/	0.19	0.190
	Body Top	0.65	0.19	0.840
	Body Bottom	/	/	0.000
WCDMA Band 4+ Wi-Fi 2.4G	Head Left Cheek	0.58	0.37	0.950
	Head Left Tilt	0.94	0.37	1.310
	Head Right Cheek	1.04	0.37	1.410
	Head Right Tilt	1.17	0.37	1.540
WCDMA Band 4+ Wi-Fi 2.4G (Hotspot)	Body Back	0.45	0.19	0.640
	Body Left	0.15	/	0.150
	Body Right	/	0.19	0.190
	Body Top	0.53	0.19	0.720
	Body Bottom	/	/	0.000

Mode(SAR1+SAR2)	Position	Reported SAR(W/kg)		Σ SAR < 1.6W/kg
		SAR1	SAR2	
WCDMA Band 5+ Wi-Fi 2.4G	Head Left Cheek	0.50	0.37	0.870
	Head Left Tilt	0.52	0.37	0.890
	Head Right Cheek	0.97	0.37	1.340
	Head Right Tilt	0.92	0.37	1.290
WCDMA Band 5+ Wi-Fi 2.4G (Hotspot)	Body Back	0.40	0.19	0.590
	Body Left	0.18	/	0.180
	Body Right	/	0.19	0.190
	Body Top	0.15	0.19	0.340
	Body Bottom	/	/	0.000
LTE Band 2+ Wi-Fi 2.4G	Head Left Cheek	0.77	0.37	1.140
	Head Left Tilt	0.99	0.37	1.360
	Head Right Cheek	1.19	0.37	1.560
	Head Right Tilt	1.21	0.37	1.580
LTE Band 2+ Wi-Fi 2.4G (Hotspot)	Body Back	0.73	0.19	0.920
	Body Left	0.21	/	0.210
	Body Right	/	0.19	0.190
	Body Top	0.79	0.19	0.980
	Body Bottom	/	/	0.000
LTE Band 4+ Wi-Fi 2.4G	Head Left Cheek	0.68	0.37	1.050
	Head Left Tilt	1.00	0.37	1.370
	Head Right Cheek	1.09	0.37	1.460
	Head Right Tilt	1.18	0.37	1.550
LTE Band 4+ Wi-Fi 2.4G (Hotspot)	Body Back	0.56	0.19	0.750
	Body Left	0.20	/	0.200
	Body Right	/	0.19	0.190
	Body Top	0.71	0.19	0.900
	Body Bottom	/	/	0.000
LTE Band 5+ Wi-Fi 2.4G	Head Left Cheek	0.70	0.37	1.070
	Head Left Tilt	0.62	0.37	0.990
	Head Right Cheek	1.10	0.37	1.470
	Head Right Tilt	0.76	0.37	1.130
LTE Band 5+ Wi-Fi 2.4G (Hotspot)	Body Back	0.52	0.19	0.710
	Body Left	0.22	/	0.220
	Body Right	/	0.19	0.190
	Body Top	0.35	0.19	0.540
	Body Bottom	/	/	0.000

Mode(SAR1+SAR2)	Position	Reported SAR(W/kg)		Σ SAR < 1.6W/kg
		SAR1	SAR2	
LTE Band 7+ Wi-Fi 2.4G	Head Left Cheek	0.44	0.37	0.810
	Head Left Tilt	0.70	0.37	1.070
	Head Right Cheek	1.14	0.37	1.510
	Head Right Tilt	1.17	0.37	1.540
LTE Band 7+ Wi-Fi 2.4G (Hotspot)	Body Back	1.18	0.19	1.370
	Body Left	0.39	/	0.390
	Body Right	/	0.19	0.190
	Body Top	0.79	0.19	0.980
	Body Bottom	/	/	0.000
LTE Band 41&38+ Wi-Fi 2.4G	Head Left Cheek	0.30	0.37	0.670
	Head Left Tilt	0.52	0.37	0.890
	Head Right Cheek	1.08	0.37	1.450
	Head Right Tilt	1.16	0.37	1.530
LTE Band 41&38+ Wi-Fi 2.4G (Hotspot)	Body Back	1.18	0.19	1.370
	Body Left	0.40	/	0.400
	Body Right	/	0.19	0.190
	Body Top	0.66	0.19	0.850
	Body Bottom	/	/	0.000

Mode(SAR1+SAR2)	Position	Reported SAR(W/kg)		Σ SAR < 1.6W/kg
		SAR1	SAR2	
GSM 850+ Wi-Fi 5.2G	Head Left Cheek	0.47	0.34	0.810
	Head Left Tilt	0.48	0.34	0.820
	Head Right Cheek	0.72	0.34	1.060
	Head Right Tilt	0.79	0.34	1.130
GSM 850+ Wi-Fi 5.2G (Hotspot)	Body Back	0.29	0.17	0.460
	Body Left	0.15	/	0.150
	Body Right	/	0.17	0.170
	Body Top	0.27	0.17	0.440
	Body Bottom	/	/	0.000
PCS 1900+ Wi-Fi 5.2G	Head Left Cheek	0.61	0.34	0.950
	Head Left Tilt	0.79	0.34	1.130
	Head Right Cheek	0.96	0.34	1.300
	Head Right Tilt	1.21	0.34	1.550
PCS 1900+ Wi-Fi 5.2G (Hotspot)	Body Back	0.76	0.17	0.930
	Body Left	0.21	/	0.210
	Body Right	/	0.17	0.170
	Body Top	0.79	0.17	0.960
	Body Bottom	/	/	0.000
WCDMA Band 2+ Wi-Fi 5.2G	Head Left Cheek	0.70	0.34	1.040
	Head Left Tilt	1.02	0.34	1.360
	Head Right Cheek	1.16	0.34	1.500
	Head Right Tilt	1.16	0.34	1.500
WCDMA Band 2+ Wi-Fi 5.2G (Hotspot)	Body Back	0.66	0.17	0.830
	Body Left	0.16	/	0.160
	Body Right	/	0.17	0.170
	Body Top	0.65	0.17	0.820
	Body Bottom	/	/	0.000
WCDMA Band 4+ Wi-Fi 5.2G	Head Left Cheek	0.58	0.34	0.920
	Head Left Tilt	0.94	0.34	1.280
	Head Right Cheek	1.04	0.34	1.380
	Head Right Tilt	1.17	0.34	1.510
WCDMA Band 4+ Wi-Fi 5.2G (Hotspot)	Body Back	0.45	0.17	0.620
	Body Left	0.15	/	0.150
	Body Right	/	0.17	0.170
	Body Top	0.53	0.17	0.700
	Body Bottom	/	/	0.000

Mode(SAR1+SAR2)	Position	Reported SAR(W/kg)		Σ SAR < 1.6W/kg
		SAR1	SAR2	
WCDMA Band 5+ Wi-Fi 5.2G	Head Left Cheek	0.50	0.34	0.840
	Head Left Tilt	0.52	0.34	0.860
	Head Right Cheek	0.97	0.34	1.310
	Head Right Tilt	0.92	0.34	1.260
WCDMA Band 5+ Wi-Fi 5.2G (Hotspot)	Body Back	0.40	0.17	0.570
	Body Left	0.18	/	0.180
	Body Right	/	0.17	0.170
	Body Top	0.15	0.17	0.320
	Body Bottom	/	/	0.000
LTE Band 2+ Wi-Fi 5.2G	Head Left Cheek	0.77	0.34	1.110
	Head Left Tilt	0.99	0.34	1.330
	Head Right Cheek	1.19	0.34	1.530
	Head Right Tilt	1.21	0.34	1.550
LTE Band 2+ Wi-Fi 5.2G (Hotspot)	Body Back	0.73	0.17	0.900
	Body Left	0.21	/	0.210
	Body Right	/	0.17	0.170
	Body Top	0.79	0.17	0.960
	Body Bottom	/	/	0.000
LTE Band 4+ Wi-Fi 5.2G	Head Left Cheek	0.68	0.34	1.020
	Head Left Tilt	1.00	0.34	1.340
	Head Right Cheek	1.09	0.34	1.430
	Head Right Tilt	1.18	0.34	1.520
LTE Band 4+ Wi-Fi 5.2G (Hotspot)	Body Back	0.56	0.17	0.730
	Body Left	0.20	/	0.200
	Body Right	/	0.17	0.170
	Body Top	0.71	0.17	0.880
	Body Bottom	/	/	0.000
LTE Band 5+ Wi-Fi 5.2G	Head Left Cheek	0.70	0.34	1.040
	Head Left Tilt	0.62	0.34	0.960
	Head Right Cheek	1.10	0.34	1.440
	Head Right Tilt	0.76	0.34	1.100
LTE Band 5+ Wi-Fi 5.2G (Hotspot)	Body Back	0.52	0.17	0.690
	Body Left	0.22	/	0.220
	Body Right	/	0.17	0.170
	Body Top	0.35	0.17	0.520
	Body Bottom	/	/	0.000

Mode(SAR1+SAR2)	Position	Reported SAR(W/kg)		Σ SAR < 1.6W/kg
		SAR1	SAR2	
LTE Band 7+ Wi-Fi 5.2G	Head Left Cheek	0.44	0.34	0.780
	Head Left Tilt	0.70	0.34	1.040
	Head Right Cheek	1.14	0.34	1.480
	Head Right Tilt	1.17	0.34	1.510
LTE Band 7+ Wi-Fi 5.2G (Hotspot)	Body Back	1.18	0.17	1.350
	Body Left	0.39	/	0.390
	Body Right	/	0.17	0.170
	Body Top	0.79	0.17	0.960
	Body Bottom	/	/	0.000
LTE Band 41+ Wi-Fi 5.2G	Head Left Cheek	0.30	0.34	0.640
	Head Left Tilt	0.52	0.34	0.860
	Head Right Cheek	1.08	0.34	1.420
	Head Right Tilt	1.16	0.34	1.500
LTE Band 41+ Wi-Fi 5.2G (Hotspot)	Body Back	1.18	0.17	1.350
	Body Left	0.40	/	0.400
	Body Right	/	0.17	0.170
	Body Top	0.66	0.17	0.830
	Body Bottom	/	/	0.000

Mode(SAR1+SAR2)	Position	Reported SAR(W/kg)		Σ SAR < 1.6W/kg
		SAR1	SAR2	
GSM 850+ Wi-Fi 5.8G	Head Left Cheek	0.47	0.36	0.830
	Head Left Tilt	0.48	0.36	0.840
	Head Right Cheek	0.72	0.36	1.080
	Head Right Tilt	0.79	0.36	1.150
GSM 850+ Wi-Fi 5.8G (Hotspot)	Body Back	0.29	0.18	0.470
	Body Left	0.15	/	0.150
	Body Right	/	0.18	0.180
	Body Top	0.27	0.18	0.450
	Body Bottom	/	/	0.000
PCS 1900+ Wi-Fi 5.8G	Head Left Cheek	0.61	0.36	0.970
	Head Left Tilt	0.79	0.36	1.150
	Head Right Cheek	0.96	0.36	1.320
	Head Right Tilt	1.21	0.36	1.570
PCS 1900+ Wi-Fi 5.8G (Hotspot)	Body Back	0.76	0.18	0.940
	Body Left	0.21	/	0.210
	Body Right	/	0.18	0.180
	Body Top	0.79	0.18	0.970
	Body Bottom	/	/	0.000
WCDMA Band 2+ Wi-Fi 5.8G	Head Left Cheek	0.70	0.36	1.060
	Head Left Tilt	1.02	0.36	1.380
	Head Right Cheek	1.16	0.36	1.520
	Head Right Tilt	1.16	0.36	1.520
WCDMA Band 2+ Wi-Fi 5.8G (Hotspot)	Body Back	0.66	0.18	0.840
	Body Left	0.16	/	0.160
	Body Right	/	0.18	0.180
	Body Top	0.65	0.18	0.830
	Body Bottom	/	/	0.000
WCDMA Band 4+ Wi-Fi 5.8G	Head Left Cheek	0.58	0.36	0.940
	Head Left Tilt	0.94	0.36	1.300
	Head Right Cheek	1.04	0.36	1.400
	Head Right Tilt	1.17	0.36	1.530
WCDMA Band 4+ Wi-Fi 5.8G (Hotspot)	Body Back	0.45	0.18	0.630
	Body Left	0.15	/	0.150
	Body Right	/	0.18	0.180
	Body Top	0.53	0.18	0.710
	Body Bottom	/	/	0.000

Mode(SAR1+SAR2)	Position	Reported SAR(W/kg)		Σ SAR < 1.6W/kg
		SAR1	SAR2	
WCDMA Band 5+ Wi-Fi 5.8G	Head Left Cheek	0.50	0.36	0.860
	Head Left Tilt	0.52	0.36	0.880
	Head Right Cheek	0.97	0.36	1.330
	Head Right Tilt	0.92	0.36	1.280
WCDMA Band 5+ Wi-Fi 5.8G (Hotspot)	Body Back	0.40	0.18	0.580
	Body Left	0.18	/	0.180
	Body Right	/	0.18	0.180
	Body Top	0.15	0.18	0.330
	Body Bottom	/	/	0.000
LTE Band 2+ Wi-Fi 5.8G	Head Left Cheek	0.77	0.36	1.130
	Head Left Tilt	0.99	0.36	1.350
	Head Right Cheek	1.19	0.36	1.550
	Head Right Tilt	1.21	0.36	1.570
LTE Band 2+ Wi-Fi 5.8G (Hotspot)	Body Back	0.73	0.18	0.910
	Body Left	0.21	/	0.210
	Body Right	/	0.18	0.180
	Body Top	0.79	0.18	0.970
	Body Bottom	/	/	0.000
LTE Band 4+ Wi-Fi 5.8G	Head Left Cheek	0.68	0.36	1.040
	Head Left Tilt	1.00	0.36	1.360
	Head Right Cheek	1.09	0.36	1.450
	Head Right Tilt	1.18	0.36	1.540
LTE Band 4+ Wi-Fi 5.8G (Hotspot)	Body Back	0.56	0.18	0.740
	Body Left	0.20	/	0.200
	Body Right	/	0.18	0.180
	Body Top	0.71	0.18	0.890
	Body Bottom	/	/	0.000
LTE Band 5+ Wi-Fi 5.8G	Head Left Cheek	0.70	0.36	1.060
	Head Left Tilt	0.62	0.36	0.980
	Head Right Cheek	1.10	0.36	1.460
	Head Right Tilt	0.76	0.36	1.120
LTE Band 5+ Wi-Fi 5.8G (Hotspot)	Body Back	0.52	0.18	0.700
	Body Left	0.22	/	0.220
	Body Right	/	0.18	0.180
	Body Top	0.35	0.18	0.530
	Body Bottom	/	/	0.000

Mode(SAR1+SAR2)	Position	Reported SAR(W/kg)		Σ SAR < 1.6W/kg
		SAR1	SAR2	
LTE Band 7+ Wi-Fi 5.8G	Head Left Cheek	0.44	0.36	0.800
	Head Left Tilt	0.70	0.36	1.060
	Head Right Cheek	1.14	0.36	1.500
	Head Right Tilt	1.17	0.36	1.530
LTE Band 7+ Wi-Fi 5.8G (Hotspot)	Body Back	1.18	0.18	1.360
	Body Left	0.39	/	0.390
	Body Right	/	0.18	0.180
	Body Top	0.79	0.18	0.970
	Body Bottom	/	/	0.000
LTE Band 41+ Wi-Fi 5.8G	Head Left Cheek	0.30	0.36	0.660
	Head Left Tilt	0.52	0.36	0.880
	Head Right Cheek	1.08	0.36	1.440
	Head Right Tilt	1.16	0.36	1.520
LTE Band 41+ Wi-Fi 5.8G (Hotspot)	Body Back	1.18	0.18	1.360
	Body Left	0.40	/	0.400
	Body Right	/	0.18	0.180
	Body Top	0.66	0.18	0.840
	Body Bottom	/	/	0.000

Note:

1. Hotspot mode SAR is measured for all edges and surfaces of the device with a transmitting antenna located within 25 mm from that surface or edge; for the data modes, wireless technologies and frequency bands supporting hotspot mode.
2. Hotspot Mode is not feasible during voice calls.

Conclusion:

Sum of SAR: Σ SAR \leq 1.6 W/kg therefore simultaneous transmission SAR with Volume Scans is **not required**.

SAR Plots

Please Refer to the Attachment.

APPENDIX A MEASUREMENT UNCERTAINTY

KDB 865664 D01 SAR measurement 100MHz to 6GHz, when the highest measured 1-g SAR within a frequency band is < 1.5 W/kg and the measured 10-g SAR within a frequency band is < 3.75 W/kg. The expanded SAR measurement uncertainty must be $\leq 30\%$, for a confidence interval of $k = 2$. If these conditions are met, extensive SAR measurement uncertainty analysis described in IEEE Std 1528-2013 is not required in SAR reports submitted for equipment approval. For this device, the highest measured 1-g SAR is less 1.5W/kg and highest measured 10-g SAR is less 3.75W/kg. Therefore, the measurement uncertainty table is not required in this report

APPENDIX B EUT TEST POSITION PHOTOS

Please Refer to the Attachment.

APPENDIX C PROBE CALIBRATION CERTIFICATES

Please Refer to the Attachment.

APPENDIX D DIPOLE CALIBRATION CERTIFICATES

Please Refer to the Attachment.

******* END OF REPORT *******