

# FCC SAR Compliance Test Report

For

**INFINIX MOBILITY LIMITED**

**RMS 05-15, 13A/F SOUTH TOWER WORLD FINANCE CTR HARBOUR CITY 17 CANTON**

**RD TST KLN HONG KONG**

Model: X522

Test Engineer: Stars Liang

Report Number: FCC17010001A-6

Report Date: 2017-02-14

FCC ID: 2AIZN-X522

Check By: Hank Huang



Approved By: Michal Ling



Prepared By: QTC Certification & Testing Co., Ltd.  
2nd Floor, BI Building, Fengyeyuan Industrial Plant,,  
Liuxian 2st. Road, Xin'an Street, Bao'an  
District,, Shenzhen, 518000  
Tel: +86-755-26996144 EXT:8164  
Fax: +86-755-26996253

**Table of contents**

**1 General information .....5**

1.1 Notes .....5

1.2 Application details .....5

1.3 Statement of Compliance.....6

1.4 EUT Information .....8

**2 Testing laboratory .....10**

**3 Test Environment .....10**

**4 Applicant and Manufacturer .....10**

**5 Test standard/s: .....11**

5.1 RF exposure limits .....12

5.2 SAR Definition .....12

**6 SAR Measurement System .....13**

6.1 The Measurement System .....13

6.2 Robot.....14

6.3 Probe .....14

6.4 Measurement procedure .....15

6.5 Description of interpolation/extrapolation scheme.....16

6.6 Phantom.....17

6.7 Device Holder .....18

6.8 Video Positioning System.....19

6.9 Tissue simulating liquids: dielectric properties .....20

6.10 Tissue simulating liquids: parameters .....21

**7 System Check.....23**

7.1 System check procedure .....23

7.2 System check results .....24

**8 SAR Test Test Configuration .....25**

8.1 GSM Test Configurations.....25

8.2 UMTS Test Configuration.....25

8.3 LTE Test Configuration .....27

8.4 Wi-Fi Test Configuration .....29

**8.5 WiFi 2.4G SAR Test Procedures.....29**

**8.6 WiFi 5G SAR Test Procedures.....30**

**9 Detailed Test Results.....32**

**9.1 Conducted Power measurements.....32**

**9.1.1 Conducted Power of GSM850.....32**

**9.1.2 Conducted Power of GSM1900.....33**

**9.1.3 Conducted Power of UMTS Band II.....34**

**9.1.4 Conducted Power of UMTS Band IV .....34**

**9.1.5 Conducted Power of UMTS Band V .....35**

**9.1.6 Conducted Power of LTE Band II .....36**

**9.1.7 Conducted Power of LTE Band IV.....39**

**9.1.8 Conducted Power of LTE Band VII.....42**

**9.1.9 Conducted Power of Wi-Fi 2.4G .....44**

**9.1.10 Conducted Power of Wi-Fi 5G .....44**

**9.1.11 Conducted Power of BT .....46**

**9.2 SAR test results .....47**

**9.2.1 Results overview of GSM850.....50**

**9.2.2 Results overview of GSM1900.....51**

**9.2.3 Results overview of UMTS Band II.....52**

**9.2.4 Results overview of UMTS Band IV .....53**

**9.2.5 Results overview of UMTS Band V .....54**

**9.2.6 Results overview of LTE Band II .....55**

**9.2.7 Results overview of LTE Band IV.....56**

**9.2.8 Results overview of LTE Band VII.....57**

**9.2.9 Results overview of Wi-Fi 2.4G .....58**

**9.2.10 Results overview of Wi-Fi 5G .....59**

**10 Multiple Transmitter Information.....61**

**10.1.1 Stand-alone SAR test exclusion.....62**

**10.1.2 Simultaneous Transmission Possibilities.....63**

**10.1.3 SAR Summation Scenario .....64**

**11 Measurement uncertainty evaluation .....70**

**11.1 Measurement uncertainty evaluation for SAR test .....70**

**11.2 Measurement uncertainty evaluation for system check.....71**

**12 Test equipment and ancillaries used for tests .....72**

**Annex A: System performance verification.....73**

**Annex B: Measurement results.....73**

**Annex C: Calibration reports .....73**

**Annex D: Photo documentation.....74**

### Modified History

REV.	Modification Description	Issued Date	Remark
REV.1.0	Initial Test Report Release	2017-02-14	Hank Huang

## 1 General information

### 1.1 Notes

The test results of this test report relate exclusively to the test item specified in this test report. Shenzhen Timeway Testing Laboratories does not assume responsibility for any conclusions and generalisations drawn from the test results with regard to other specimens or samples of the type of the equipment represented by the test item. The test report is not to be reproduced or published in full without the prior written permission.

### 1.2 Application details

Date of receipt of test item: 2017-01-04  
Start of test: 2017-01-05  
End of test: 2017-01-30

**1.3 Statement of Compliance**

The maximum results of Specific Absorption Rate (SAR) found during testing for X522 is as below:

Band	Position	MAX Reported SAR <sub>1g</sub> (W/kg)
GSM850	Head	0.559
	Body-Worn	0.607
	Hotspot 10mm	0.590
GSM1900	Head	0.315
	Body-Worn	0.749
	Hotspot 10mm	0.748
UMTS Band II	Head	0.467
	Body-Worn	<b>0.792</b>
	Hotspot 10mm	<b>0.798</b>
UMTS Band IV	Head	<b>0.575</b>
	Body-Worn	0.723
	Hotspot 10mm	0.757
UMTS Band V	Head	0.394
	Body-Worn	0.469
	Hotspot 10mm	0.470
LTE Band II	Head	0.339
	Body-Worn	0.431
	Hotspot 10mm	<b>0.798</b>
LTE Band IV	Head	0.378
	Body-Worn	0.741
	Hotspot 10mm	0.786
LTE Band VII	Head	0.358
	Body-Worn	0.735
	Hotspot 10mm	0.743
Wi-Fi 2.4G	Head	0.239
	Body-Worn	0.335
	Hotspot 10mm	0.441
Wi-Fi 5G	Head	0.136
	Body-Worn	0.168
	Hotspot 10mm	0.161
The highest simultaneous SAR is 1.239W/kg per KDB690783 D01		

The device is in compliance with Specific Absorption Rate (SAR) for general population/uncontrolled exposure limits of 1.6 W/Kg as averaged over any 1g tissue according to

the FCC rule §2.1093, the ANSI/IEEE C95.1:2005, the NCRP Report Number 86 for uncontrolled environment, according to the Industry Canada Radio Standards Specification RSS-102 for General Population/Uncontrolled exposure, and had been tested in accordance with the measurement methods and procedures specified in IEEE Std 1528-2013.

## 1.4 EUT Information

Device Information:			
<b>Product Type:</b>	Mobile phone		
<b>Model:</b>	X522		
<b>Device Type:</b>	Portable device		
<b>Exposure Category:</b>	uncontrolled environment / general population		
<b>Production Unit or Identical Prototype:</b>	Production Unit		
<b>Hardware version:</b>	H539_B1_V1.2		
<b>Software version :</b>	X522-H539D1-M-161206V23		
<b>Antenna Type :</b>	Internal Antenna		
Device Operating Configurations:			
<b>Supporting Mode(s) :</b>	GSM850,PCS1900, UMTS Band II , UMTS Band IV, UMTS Band V,LTE Band II, LTE Band IV, LTE Band VII,Wi-Fi , BT		
<b>Modulation:</b>	GSM(GMSK),UMTS(QPSK/16QAM),LTE(QPSK/16QAM), Wi-Fi(OFDM/CCK),BT(GFSK/ $\pi$ /4-DQPSK/ 8-DPSK)		
<b>Device Class :</b>	Class B, No DTM Mode		
<b>Operating Frequency Range(s)</b>	<b>Band</b>	<b>TX(MHz)</b>	<b>RX(MHz)</b>
	GSM850	824~849	869~894
	GSM1900	1850~1910	1930~1990
	UMTS Band II	1850~1910	1930~1990
	UMTS Band IV	1710-1755	2110-2155
	UMTS Band V	824~849	869~894
	LTE Band II	1850~1910	1930~1990
	LTE Band IV	1710~1755	2110~2155
	LTE Band VII	2500~2570	2620~2690
	Wi-Fi (2.4G)	2412~2462	
	Wi-Fi (5G)	5150~5350 5725~5850	
	BT	2402~2480	
	<b>GPRS class level:</b>	GPRS class 12	
<b>Test Channels (low-mid-high):</b>	128-190-251(GSM850)		
	512-661-810(GSM1900)		
	9262-9400-9538(UMTS Band II)		
	1312-1413-1513(UMTS Band IV)		
	4132-4182-4233(UMTS Band V)		



	18700-18900-19100(LTE Band II)
	20050-20175-20300(LTE Band IV)
	20850-21100-21350(LTE Band VII)
	1-6-11 (Wi-Fi 2.4G)
	802.11a/n/ac 20M: 36-40-44-48-52-56-60-64-149-153-157-161-165
	802.11 n/ac 40M: 38-46-54-62-151-159 (Wi-Fi 5G)
	0-39-78(BT) 0-19-39(BLE)
<b>Power Source:</b>	3.85 VDC/3000mAh Rechargeable Battery

## 2 Testing laboratory

Test Site	QTC Certification & Testing Co., Ltd.
Test Location	2nd Floor, BI Building, Fengyeyuan Industrial Plant,, Liuxian 2st. Road, Xin'an Street, Bao'an District,, Shenzhen, 518000
Telephone	+86-755-26996144 EXT:8164
Fax	+86-755-26996253

## 3 Test Environment

	Required	Actual
Ambient temperature:	18 – 25 °C	22 ± 2 °C
Tissue Simulating liquid:	22 ± 2 °C	22 ± 2 °C
Relative humidity content:	30 – 70 %	30 – 70 %

## 4 Applicant and Manufacturer

Applicant/Client Name:	INFINIX MOBILITY LIMITED
Applicant Address:	RMS 05-15, 13A/F SOUTH TOWER WORLD FINANCE CTR HARBOUR CITY 17 CANTON RD TST KLN HONG KONG
Manufacturer Name:	SHENZHEN TECNO TECHNOLOGY CO.,LTD.
Manufacturer Address:	1-4th Floor,3rd Building,Pacific Industrial Park,No.2088,Shenyan Road,Yantian District,Shenzhen,Guangdong,China

**5 Test standard/s:**

ANSI Std C95.1-2005	Safety Levels with Respect to Human Exposure to Radio Frequency Electromagnetic Fields, 3 kHz to 300 GHz.
IEEE Std 1528-2013	Recommended Practice for Determining the Peak Spatial-Average Specific Absorption Rate (SAR) in the Human Head from Wireless Communications Devices: Measurement Techniques
RSS-102	Radio Frequency Exposure Compliance of Radiocommunication Apparatus (All Frequency Bands (Issue 5 March 2015)
KDB447498 D01	General RF Exposure Guidance v06
KDB648474 D04	Head set SAR v01r03
KDB941225 D06	Hot Spot SAR V02r01
KDB941225 D01	3G SAR Measurement Procedures
KDB248227 D01	SAR meas for 802.11 a/b/g v02r02
KDB865664 D01	SAR Measurement 100 MHz to 6 GHz v01r04
KDB865664 D02	RF Exposure Reporting v01r02
KDB 941225 D05	SAR Evaluation Considerations for LTE Devices
KDB941225 D05A	LTE Rel.10 KDB Inquiry Sheet v01r02

## 5.1 RF exposure limits

Human Exposure	Uncontrolled Environment General Population	Controlled Environment Occupational
<b>Spatial Peak SAR*</b> (Brain/Body/Arms/Legs)	<b>1.60 mW/g</b>	8.00 mW/g
<b>Spatial Average SAR**</b> (Whole Body)	0.08 mW/g	0.40 mW/g
<b>Spatial Peak SAR***</b> (Heads/Feet/Ankle/Wrist)	4.00 mW/g	20.00 mW/g

The limit applied in this test report is shown in bold letters

### Notes:

- \* The Spatial Peak value of the SAR averaged over any 1 gram of tissue (defined as a tissue volume in the shape of a cube) and over the appropriate averaging time.
- \*\* The Spatial Average value of the SAR averaged over the whole body.
- \*\*\* The Spatial Peak value of the SAR averaged over any 10 grams of tissue (defined as a tissue volume in the shape of a cube) and over the appropriate averaging time.

**Uncontrolled Environments** are defined as locations where there is the exposure of individuals who have no knowledge or control of their exposure.

**Controlled Environments** are defined as locations where there is exposure that may be incurred by persons who are aware of the potential for exposure, (i.e. as a result of employment or occupation).

## 5.2 SAR Definition

Specific Absorption Rate is defined as the time derivative (rate) of the incremental energy (dW) absorbed by (dissipated in) an incremental mass (dm) contained in a volume element (dV) of a given density ( $\rho$ ).

$$SAR = \frac{d}{dt} \left( \frac{dW}{dm} \right) = \frac{d}{dt} \left( \frac{dW}{\rho dV} \right)$$

SAR is expressed in units of watts per kilogram (W/kg). SAR can be related to the electric field at a point by

$$SAR = \frac{\sigma |E|^2}{\rho}$$

where:

$\sigma$  = conductivity of the tissue (S/m)

$\rho$  = mass density of the tissue (kg/m<sup>3</sup>)

E = rms electric field strength (V/m)

## 6 SAR Measurement System

### 6.1 The Measurement System

Comosar is a system that is able to determine the SAR distribution inside a phantom of human being according to different standards. The Comosar system consists of the following items:

- Main computer to control all the system
- 6 axis robot
- Data acquisition system
- Miniature E-field probe
- Device holder
- Head simulating tissue

The following figure shows the system.



The EUT under test operating at the maximum power level is placed in the phone holder, under the phantom, which is filled with head simulating liquid. The E-Field probe measures the electric field inside the phantom. The OpenSAR software computes the results to give a SAR value in a 1g or 10g mass.

## 6.2 Robot

The COMOSAR system uses the high precision robots KR 6 R900 sixx type out of the newer series from Satimo SA (France).For the 6-axis controller COMOSAR system, the KUKA robot controller version from Satimo is used. The KR 6 R900 sixx robot series have many features that are important for our application:

- High precision (repeatability 0.02 mm)
- High reliability (industrial design)
- Jerk-free straight movements
- Low ELF interference (the closed metallic construction shields against motor control fields)
- 6-axis controller

## 6.3 Probe

For the measurements the Specific Dosimetric E-Field Probe SSE 5 with following specifications is used



Figure 1 – MVG COMOSAR Dosimetric E field Dipole

- Dynamic range: 0.01-100 W/kg

Probe Length	330 mm
Length of Individual Dipoles	4.5 mm
Maximum external diameter	8 mm
Probe Tip External Diameter	5 mm
Distance between dipoles / probe extremity	2.7 mm

- Calibration range: 300MHz to 3GHz for head & body simulating liquid.

Angle between probe axis (evaluation axis) and surface normal line:less than 30°



Figure 2 – MVG COMOSAR Dosimetric E field Dipole

Dynamic range: 0.01-100 W/kg

Probe Length	330 mm
Length of Individual Dipoles	2 mm
Maximum external diameter	8 mm
Probe Tip External Diameter	2.5 mm
Distance between dipoles / probe extremity	1 mm

- Calibration range: 5GHz to 6GHz for head & body simulating liquid.

Angle between probe axis (evaluation axis) and surface normal line:less than 30°

## 6.4 Measurement procedure

### The following steps are used for each test position

- Establish a call with the maximum output power with a base station simulator. The connection between the mobile and the base station simulator is established via air interface.
- Measurement of the local E-field value at a fixed location. This value serves as a reference value for calculating a possible power drift.
- Measurement of the SAR distribution with a grid of 8 to 16 mm \* 8 to 16 mm and a constant distance to the inner surface of the phantom. Since the sensors can not directly measure at the inner phantom surface, the values between the sensors and the inner phantom surface are extrapolated. With these values the area of the maximum SAR is calculated by an interpolation scheme.
- Around this point, a cube of 30 \* 30 \* 30 mm or 32 \* 32 \* 32 mm is assessed by measuring 5 or 8 \* 5 or 8 \* 4 or 5 mm. With these data, the peak spatial-average SAR value can be calculated.

### Spatial Peak SAR Evaluation

The procedure for spatial peak SAR evaluation has been implemented according to the test standard. It can be conducted for 1g and 10g, as well as for user-specific masses. The SATIMO software includes all numerical procedures necessary to evaluate the spatial peak SAR value.

The base for the evaluation is a "cube" measurement. The measured volume must include the 1g and 10g cubes with the highest averaged SAR values. For that purpose, the center of the measured volume is aligned to the interpolated peak SAR value of a previously performed area scan.

The entire evaluation of the spatial peak values is performed within the post-processing engine. The system always gives the maximum values for the 1g and 10g cubes. The algorithm to find the cube with highest averaged SAR is divided into the following stages:

- (a) Extraction of the measured data (grid and values) from the Zoom Scan
- (b) Calculation of the SAR value at every measurement point based on all stored data (A/D values and measurement parameters)
- (c) Generation of a high-resolution mesh within the measured volume
- (d) Interpolation of all measured values from the measurement grid to the high-resolution grid
- (e) Extrapolation of the entire 3-D field distribution to the phantom surface over the distance from sensor to surface
- (f) Calculation of the averaged SAR within masses of 1g and 10g

**SAR Averaged Methods**

In SATIMO, the interpolation and extrapolation are both based on the modified Quadratic Shepard's method. The interpolation scheme combines a least-square fitted function method and a weighted average method which are the two basic types of computational interpolation and approximation.

Extrapolation routines are used to obtain SAR values between the lowest measurement points and the inner phantom surface. The extrapolation distance is determined by the surface detection distance and the probe sensor offset. The uncertainty increases with the extrapolation distance. To keep the uncertainty within 1% for the 1 g and 10 g cubes, the extrapolation distance should not be larger than 5 mm.

**6.5 Description of interpolation/extrapolation scheme**

- The local SAR inside the phantom is measured using small dipole sensing elements inside a probe body. The probe tip must not be in contact with the phantom surface in order to minimise measurements errors, but the highest local SAR will occur at the surface of the phantom.
- An extrapolation is used to determine these highest local SAR values. The extrapolation is based on a fourth-order least-square polynomial fit of measured data. The local SAR value is then extrapolated from the liquid surface with a 1 mm step.
- The measurements have to be performed over a limited time (due to the duration of the battery) so the step of measurement is high. It could vary between 5 and 8 mm. To obtain an accurate assessment of the maximum SAR average over 10 grams and 1 gram requires a very fine resolution in the three dimensional scanned data array.



## 6.6 Phantom

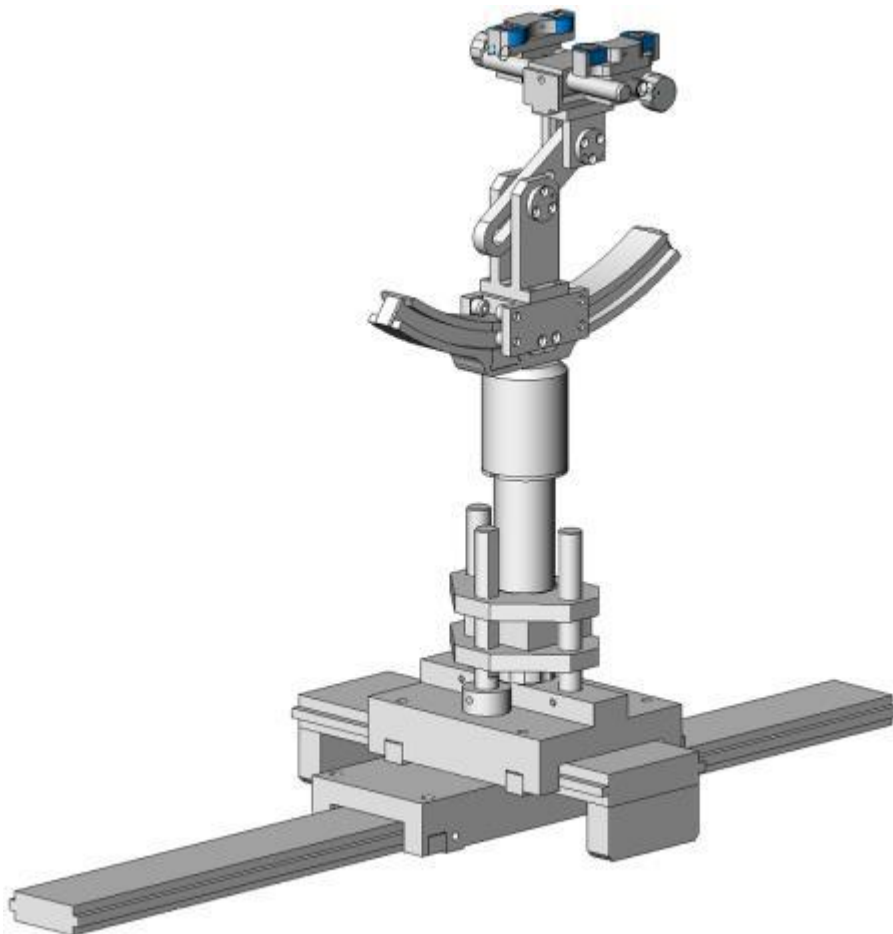
For the measurements the Specific Anthropomorphic Mannequin (SAM) defined by the IEEE SCC-34/SC2 group is used. The phantom is a polyurethane shell integrated in a wooden table. The thickness of the phantom amounts to 2mm +/- 0.2mm. It enables the dosimetric evaluation of left and right phone usage and includes an additional flat phantom part for the simplified performance check. The phantom set-up includes a cover, which prevents the evaporation of the liquid.



System Material	Permittivity	Loss Tangent
Delrin	3.7	0.005

### 6.7 Device Holder

The positioning system allows obtaining cheek and tilting position with a very good accuracy. In compliance with CENELEC, the tilt angle uncertainty is lower than 1°.



Device holder

System Material	Permittivity	Loss Tangent
Delrin	3.7	0.005

## 6.8 Video Positioning System

- The video positioning system is used in OpenSAR to check the probe. Which is composed of a camera, LED, mirror and mechanical parts. The camera is piloted by the main computer with firewire link.
- During the process, the actual position of the probe tip with respect to the robot arm is measured, as well as the probe length and the horizontal probe offset. The software then corrects all movements, such that the robot coordinates are valid for the probe tip.
- The repeatability of this process is better than 0.1 mm. If a position has been taught with an aligned probe, the same position will be reached with another aligned probe within 0.1 mm, even if the other probe has different dimensions. During probe rotations, the probe tip will keep its actual position.



### 6.9 Tissue simulating liquids: dielectric properties

For SAR measurement of the field distribution inside the phantom, the phantom must be filled with homogeneous tissue simulating liquid to a depth of at least 15 cm. For head SAR testing, the liquid height from the ear reference point (ERP) of the phantom to the liquid top surface is larger than 15 cm. For body SAR testing, the liquid height from the center of the flat phantom to the liquid top surface is larger than 15 cm. The simulating liquids should be checked at the beginning of a series of SAR measurements to determine if the dielectric parameters are within the tolerances of the specified target values. The measured conductivity and relative permittivity should be within ± 5% of the target values.

The following materials are used for producing the tissue-equivalent materials.

(Liquids used for tests are marked with ☒):

Ingredients(% of weight)	Frequency (MHz)					
	<input type="checkbox"/> 750	<input checked="" type="checkbox"/> 835	<input checked="" type="checkbox"/> 1800	<input checked="" type="checkbox"/> 1900	<input checked="" type="checkbox"/> 2450	<input checked="" type="checkbox"/> 2600
frequency band	<input type="checkbox"/> 750	<input checked="" type="checkbox"/> 835	<input checked="" type="checkbox"/> 1800	<input checked="" type="checkbox"/> 1900	<input checked="" type="checkbox"/> 2450	<input checked="" type="checkbox"/> 2600
Tissue Type	Head	Head	Head	Head	Head	Head
Water	39.2	41.45	52.64	55.242	62.7	55.242
Salt (NaCl)	2.7	1.45	0.36	0.306	0.5	0.306
Sugar	57.0	56.0	0.0	0.0	0.0	0.0
HEC	0.0	1.0	0.0	0.0	0.0	0.0
Bactericide	0.0	0.1	0.0	0.0	0.0	0.0
Triton X-100	0.0	0.0	0.0	0.0	36.8	0.0
DGBE	0.0	0.0	47.0	44.542	0.0	44.452
Ingredients(% of weight)	Frequency (MHz)					
frequency band	<input type="checkbox"/> 750	<input checked="" type="checkbox"/> 835	<input checked="" type="checkbox"/> 1800	<input checked="" type="checkbox"/> 1900	<input checked="" type="checkbox"/> 2450	<input checked="" type="checkbox"/> 2600
Tissue Type	Body	Body	Body	Body	Body	Body
Water	50.30	52.4	69.91	69.91	73.2	64.493
Salt (NaCl)	1.60	1.40	0.13	0.13	0.04	0.024
Sugar	47.0	45.0	0.0	0.0	0.0	0.0
HEC	0.0	1.0	0.0	0.0	0.0	0.0
Bactericide	0.0	0.1	0.0	0.0	0.0	0.0
Triton X-100	0.0	0.0	0.0	0.0	0.0	0.0
DGBE	0.0	0.0	29.96	29.96	26.7	32.252

Salt: 99+% Pure Sodium Chloride

Sugar: 98+% Pure Sucrose

Water: De-ionized, 16MΩ+ resistivity

HEC: Hydroxyethyl Cellulose

DGBE: 99+% Di(ethylene glycol) butyl ether, [2-(2-butoxyethoxy)ethanol]

Triton X-100(ultra pure): Polyethylene glycol mono [4-(1,1,3,3-tetramethylbutyl)phenyl]ether

☒ Simulating Head Liquid for 5G(HBBL3500-5800MHz), Manufactured by SPEAG:

Ingredients	(% by weight)
Water	50-65%
Mineral oil	10-30%
Emulsifiers	8-25%
Sodium salt	0-1.5%

Simulating Body Liquid for 5G(MBBL3500-5800MHz),Manufactured by SPEAG:

Ingredients	(% by weight)
Water	60-80%
Esters,Emulsifiers,Inhibitors	20-40%
Sodium salt	0-1.5%

### 6.10 Tissue simulating liquids: parameters

Tissue Type	Measured Frequency (MHz)	Target Tissue				Measured Tissue		Liquid Temp.	Test Date
		Target Permittivity $\epsilon_r$	Range of $\pm 5\%$	Target Conductivity $\sigma$ (S/m)	Range of $\pm 5\%$	$\epsilon_r$	$\sigma$ (S/m)		
835MHz Head	825	41.60	39.52~43.68	0.90	0.86~0.95	40.34	0.91	21.6°C	2017-01-05
	835	41.50	39.43~43.58	0.90	0.86~0.95	40.33	0.92		
	850	41.50	39.43~43.58	0.92	0.87~0.97	40.11	0.94		
835MHz Body	825	55.20	52.44~57.96	0.97	0.92~1.02	54.04	0.98		
	835	55.20	52.44~57.96	0.97	0.92~1.02	53.93	0.99		
	850	55.20	52.44~57.96	0.99	0.94~1.04	53.69	1.01		
1800MHz Head	1710	40.10	38.10~42.10	1.35	1.28~1.42	39.95	1.34	21.6°C	2017-01-06
	1730	40.10	38.10~42.10	1.35	1.29~1.43	39.87	1.36		
	1750	40.10	38.10~42.10	1.37	1.30~1.44	39.69	1.39		
	1800	40.00	38.00~42.00	1.40	1.33~1.47	39.48	1.44		
1800MHz Body	1710	53.50	50.83~56.18	1.46	1.39~1.53	53.24	1.45		
	1730	53.50	50.83~56.18	1.48	1.41~1.55	53.39	1.47		
	1750	53.40	50.73~56.07	1.49	1.42~1.56	53.19	1.49		
	1800	53.30	50.64~55.97	1.52	1.44~1.60	52.97	1.54		
1900MHz Head	1850	40.00	38.00~42.00	1.40	1.33~1.47	39.93	1.37	21.6°C	2017-01-07
	1880	40.00	38.00~42.00	1.40	1.33~1.47	39.91	1.40		
	1900	40.00	38.00~42.00	1.40	1.33~1.47	39.98	1.41		
	1910	40.00	38.00~42.00	1.40	1.33~1.47	39.97	1.42		
1900MHz Body	1850	53.30	50.64~55.97	1.52	1.44~1.60	53.23	1.49		
	1880	53.30	50.64~55.97	1.52	1.44~1.60	53.36	1.53		
	1900	53.30	50.64~55.97	1.52	1.44~1.60	53.37	1.56		
	1910	53.30	50.64~55.97	1.52	1.44~1.60	53.37	1.57		
2450MHz Head	2410	39.30	37.34~41.26	1.76	1.67~1.85	39.22	1.78	21.6°C	2017-01-09
	2435	39.20	37.24~41.16	1.79	1.70~1.88	39.25	1.77		

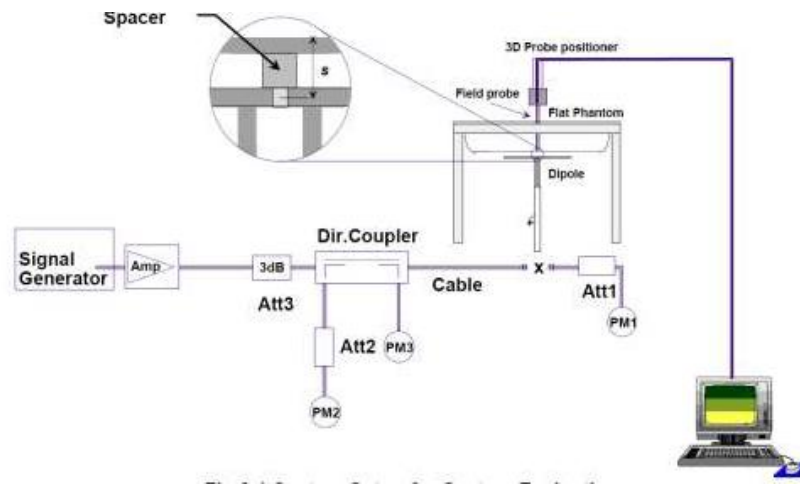
	2450	39.20	37.24~41.16	1.80	1.71~1.89	39.24	1.76		
	2460	39.20	37.24~41.16	1.81	1.72~1.90	39.20	1.76		
2450MHz Body	2410	52.80	50.16~55.44	1.91	1.81~2.00	52.72	1.92	21.6°C	2017-01-10
	2435	52.70	50.07~55.34	1.94	1.84~2.04	52.75	1.92		
	2450	52.70	50.07~55.34	1.95	1.85~2.05	52.74	1.91		
	2460	52.70	50.07~55.34	1.96	1.86~2.06	52.70	1.91		
2600MHz Head	2510	39.00	37.05~40.95	1.96	1.86~2.06	38.87	1.93		
	2535	39.00	37.05~40.95	1.96	1.86~2.06	38.58	1.93		
	2560	39.00	37.05~40.95	1.96	1.86~2.06	38.98	2.02		
	2600	39.00	37.05~40.95	1.96	1.86~2.06	52.50	2.02		
2600MHz Body	2510	52.50	49.90~55.11	2.16	2.05~2.27	52.21	2.04		
	2535	52.50	49.90~55.11	2.16	2.05~2.27	51.92	2.06		
	2560	52.50	49.90~55.11	2.16	2.05~2.27	52.01	2.09		
	2600	52.50	49.90~55.11	2.16	2.05~2.27	38.87	1.93		
5G Head	5200	36.0	34.20~37.80	4.66	4.43~4.89	35.62	4.50	21.6°C	2017-01-17
	5300	35.9	34.10~37.70	4.76	4.52~5.00	35.52	4.83		
	5800	35.3	33.54~37.07	5.27	5.01~5.53	34.63	5.16		
5G Body	5200	49.0	46.55~51.45	5.30	5.03~5.56	49.86	5.19		
	5300	48.9	46.05~51.35	5.42	5.15~5.69	48.32	5.27		
	5800	48.20	45.79~50.61	6.00	5.70~6.30	47.74	6.09		
ε <sub>r</sub> = Relative permittivity, σ= Conductivity									

## 7 System Check

### 7.1 System check procedure

The System check is performed by using a System check dipole which is positioned parallel to the planar part of the SAM phantom at the reference point. The distance of the dipole to the SAM phantom is determined by a spacer. The dipole is connected to the signal source consisting of signal generator and amplifier via a directional coupler, N-connector cable and adaption to SMA. It is fed with a power of 100 mW. To adjust this power a power meter is used. The power sensor is connected to the cable before the System check to measure the power at this point and do adjustments at the signal generator. At the outputs of the directional coupler both return loss as well as forward power are controlled during the validation to make sure that emitted power at the dipole is kept constant. This can also be checked by the power drift measurement after the test (result on plot).

System check results have to be equal or near the values determined during dipole calibration (target SAR in table above) with the relevant liquids and test system.



## 7.2 System check results

The system Check is performed for verifying the accuracy of the complete measurement system and performance of the software. The following table shows System check results for all frequency bands and tissue liquids used during the tests (plot(s) see annex A).

System Check	Target SAR (1W) (+/-10%)				Measured SAR (Normalized to 1W)		Liquid Temp.	Test Date
	1-g (mW/g)	Range of $\pm 10\%$ 1-g (mW/g)	10-g (mW/g)	Range of $\pm 10\%$ 10-g (mW/g)	1-g (mW/g)	10-g (mW/g)		
<b>D835V2 Head</b>	9.82	8.84~10.80	6.35	5.72~6.99	9.700	6.150	21.6°C	2017-01-05
<b>D1800V2 Head</b>	37.09	33.38~40.80	19.77	17.93~21.75	39.980	20.600	21.6°C	2017-01-06
<b>D1900V2 Head</b>	38.93	35.04~42.82	20.27	18.45~22.55	39.980	21.070	21.6°C	2017-01-07
<b>D2450V2 Head</b>	53.41	48.07~58.75	23.95	21.56~26.35	53.930	24.530	21.6°C	2017-01-09
<b>D2600V2 Head</b>	56.88	51.20~62.56	24.92	22.43~27.41	53.180	23.430	21.6°C	2017-01-10
<b>D5200V2 Head</b>	164.05	147.65~180.45	57.03	51.33~62.73	174.700	56.790	21.6°C	2017-01-17
<b>D5400V2 Head</b>	171.66	154.50~188.82	59.33	53.40~65.26	177.950	61.560	21.6°C	2017-01-17
<b>D5800V2 Head</b>	185.02	166.52~203.52	62.43	56.19~68.67	185.190	63.340	21.6°C	2017-01-17
<b>D835V2 Body</b>	9.41	8.47~10.35	6.22	5.99~6.84	10.150	6.450	21.6°C	2017-01-05
<b>D1800V2 Body</b>	38.03	34.23~41.83	20.69	18.62~22.76	41.560	21.720	21.6°C	2017-01-06
<b>D1900V2 Body</b>	38.73	34.86~42.60	20.48	18.43~22.53	39.330	20.940	21.6°C	2017-01-07
<b>D2450V2 Body</b>	51.39	46.25~56.53	23.63	21.27~25.99	54.330	23.330	21.6°C	2017-01-09
<b>D2600V2 Body</b>	54.54	49.09~59.99	24.37	21.94~26.80	57.860	25.600	21.6°C	2017-01-10
<b>D5200V2 Body</b>	163.36	147.03~179.69	57.09	51.39~62.79	167.180	59.640	21.6°C	2017-01-17
<b>D5400V2 Body</b>	166.22	149.60~182.84	57.22	51.50~62.94	165.370	58.820	21.6°C	2017-01-17
<b>D5800V2 Body</b>	177.10	159.39~194.81	59.95	53.96~65.94	179.660	60.800	21.6°C	2017-01-17

Note: All SAR values are normalized to 1W forward power.



## 8 SAR Test Test Configuration

### 8.1 GSM Test Configurations

SAR tests for GSM850 and GSM1900, a communication link is set up with a base station by air link. Using CMU200 the power lever is set to “5”and “0” in SAR of GSM850 and GSM1900. The tests in the band of GSM 850 and GSM 1900 are performed in the mode of GPRS/EGPRS function. Since the GPRS class is 12 for this EUT, it has at most 4 timeslots in uplink and at most 4 timeslots in downlink, the maximum total timeslot is 5.

When SAR tests for EGPRS mode is necessary, GMSK modulation should be used to minimize SAR measurement error due to higher peak-to-average power (PAR) ratios inherent in 8-PSK.

### 8.2 UMTS Test Configuration

#### 1) Output Power Verification

Maximum output power is verified on the high, middle and low channels according to procedures described in section 5.2 of 3GPP TS 34.121, using the appropriate RMC or AMR with TPC (transmit power control) set to all “1”s” for WCDMA/HSDPA or by applying the required inner loop power control procedures to maintain maximum output power while HSUPA is active. Results for all applicable physical channel configurations (DPCCH, DPDCHn and spreading codes, HSDPA, HSPA) are required in the SAR report. All configurations that are not supported by the handset or cannot be measured due to technical or equipment limitations must be clearly identified.

#### 2) WCDMA

##### a. Head SAR Measurements

SAR for next to the ear head exposure is measured using a 12.2 kbps RMC with TPC bits configured to all “1”s”. The 3G SAR test reduction procedure is applied to AMR configurations with 12.2 kbps RMC as the primary mode. Otherwise, SAR is measured for 12.2 kbps AMR in 3.4 kbps SRB (signaling radio bearer) using the highest reported SAR configuration in 12.2 kbps RMC for head exposure.

##### b. Body SAR Measurements

SAR for body-worn accessory configurations is measured using a 12.2 kbps RMC with TPC bits configured to all “1”s”. The 3G SAR test reduction procedure is applied to other spreading codes and multiple DPDCHn configurations supported by the handset with 12.2 kbps RMC as the primary mode

#### 3) HSDPA

SAR for body exposure configurations is measured according to the “Body SAR Measurements” procedures of 3G device. When the maximum output power and tune-up tolerance specified for production units in a secondary mode is  $\leq \frac{1}{4}$  dB higher than the primary mode or when the highest reported SAR of the primary mode is scaled by the ratio of specified maximum output power and tune-up tolerance of secondary to primary mode and the adjusted SAR is  $\leq 1.2$  W/kg, SAR measurement is not required for the secondary mode. This is referred to as the 3G SAR test reduction procedure in the following SAR test guidance, where the primary mode is identified in the applicable wireless mode test procedures and the secondary mode is wireless mode being considered for SAR test reduction by that procedure. When the 3G SAR test reduction procedure is not satisfied, it is identified as “otherwise” in the applicable procedures; SAR measurement is required for the secondary mode.

Per KDB941225 D01, the 3G SAR test reduction procedure is applied to HSDPA body configurations with 12.2 kbps RMC as the primary mode. Otherwise, SAR is measured for HSDPA using the HSDPA body SAR procedures for the highest reported SAR body exposure configuration in 12.2 kbps RMC.

HSDPA should be configured according to UE category of a test device. The number of HS-DSCH/HS-PDSCHs, HARQ processes, minimum inter-TTI interval, transport block sizes and RV coding sequence are defined by the H-set. To maintain a consistent test configuration and stable transmission condition, QPSK is used in the H-set for SAR testing. HS-DPCCH should be configured with a CQI feedback cycle of 4ms with a CQI repetition factor of 2 to maintain a constant rate of active CQI slots. The  $\beta_c$  and  $\beta_d$  gain factors for DPCCH and DPDCH were set according to the values in the below table,  $\beta_{ns}$  for HSDPCCH is set automatically to the correct value when  $\Delta ACK$ ,  $\Delta NACK$ ,  $\Delta CQI = 8$ . The variation of the  $\beta_c / \beta_d$  ratio causes a power reduction at sub-tests 2 - 4.

Sub-test <sup>o</sup>	$\beta_c$ <sup>o</sup>	$\beta_d$ <sup>o</sup>	$\beta_d$ (SF) <sup>o</sup>	$\beta_c / \beta_d$ <sup>o</sup>	$\beta_{ns}$ (1) <sup>o</sup>	CM(dB)(2) <sup>o</sup>	MPR (dB) <sup>o</sup>
1 <sup>o</sup>	2/15 <sup>o</sup>	15/15 <sup>o</sup>	64 <sup>o</sup>	2/15 <sup>o</sup>	4/15 <sup>o</sup>	0.0 <sup>o</sup>	0 <sup>o</sup>
2 <sup>o</sup>	12/15(3) <sup>o</sup>	15/15(3) <sup>o</sup>	64 <sup>o</sup>	12/15(3) <sup>o</sup>	24/15 <sup>o</sup>	1.0 <sup>o</sup>	0 <sup>o</sup>
3 <sup>o</sup>	15/15 <sup>o</sup>	8/15 <sup>o</sup>	64 <sup>o</sup>	15/8 <sup>o</sup>	30/15 <sup>o</sup>	1.5 <sup>o</sup>	0.5 <sup>o</sup>
4 <sup>o</sup>	15/15 <sup>o</sup>	4/15 <sup>o</sup>	64 <sup>o</sup>	15/4 <sup>o</sup>	30/15 <sup>o</sup>	1.5 <sup>o</sup>	0.5 <sup>o</sup>

Note 1:  $\Delta ACK$ ,  $\Delta NACK$  and  $\Delta CQI = 8$      $A_{ns} = \beta_{ns} / \beta_c = 30/15$      $\beta_{ns} = 30/15 * \beta_c$ <sup>o</sup>

Note 2 : CM=1 for  $\beta_c / \beta_d = 12/15$ ,  $\beta_{ns} / \beta_c = 24/15$ . For all other combinations of DPDCH, DPCCH and HS-DPCCH the MPR is based on the relative CM difference. This is applicable for only UEs that support HSDPA in release 6 and later releases.<sup>o</sup>

Note 3 : For subtest 2 the  $\beta_c / \beta_d$  ratio of 12/15 for the TFC during the measurement period (TF1, TF0) is achieved by setting the signalled gain factors for the reference TFC (TF1, TF0) to  $\beta_c = 11/15$  and  $\beta_d = 15/15$ <sup>o</sup>

The measurements were performed with a Fixed Reference Channel (FRC) and H-Set 1 QPSK.:

Parameter	Value
Nominal average inf. bit rate	534 kbit/s
Inter-TTI Distance	3 TTI's
Number of HARQ Processes	2 Processes
Information Bit Payload	3202 Bits
MAC-d PDU size	336 Bits
Number Code Blocks	1 Block
Binary Channel Bits Per TTI	4800 Bits
Total Available SMLs in UE	19200 SMLs
Number of SMLs per HARQ Process	9600 SMLs
Coding Rate	0.67
Number of Physical Channel Codes	5

#### 4)HSUPA

SAR for body exposure configurations is measured according to the "Body SAR Measurements" procedures of 3G device. When the maximum output power and tune-up tolerance specified for production units in a secondary mode is  $\leq 1/4$  dB higher than the primary mode or when the highest reported SAR of the primary mode is scaled by the ratio of specified maximum output power and tune-up tolerance of secondary to primary mode and the adjusted SAR is  $\leq 1.2$  W/kg, SAR measurement is not required for the secondary mode.

Per KDB941225 D01v03, the 3G SAR test reduction procedure is applied to HSPA (HSUPA/HSDPA with RMC) body configurations with 12.2 kbps RMC as the primary mode. Otherwise, SAR is measured for HSPA using the HSPA body SAR procedures for the highest reported body exposure SAR configuration in 12.2 kbps RMC.

**8.3 LTE Test Configuration**

SAR for LTE band exposure configurations is measured according to the procedures of KDB 941225 D05 SAR for LTE Devices. The CMW500 WideBand Radio Communication Tester was used for LTE output power measurements and SAR testing. Closed loop power control was used so the UE transmits with maximum output power during SAR testing. SAR test were performed with the same number of RB and RB offsets transmitting on all TTI frames(Maximum TTI)

**1) Spectrum Plots for RB configurations**

A properly configured base station simulator was used for LTE output power measurements and SAR testing. Therefore, spectrum plots for RB configurations were not required to be included in this report.

**2) MPR**

When MPR is implemented permanently within the UE, regardless of network requirements, only those RB configurations allowed by 3GPP for the channel bandwidth and modulation combinations may be tested with MPR active. Configurations with RB allocations less than the RB thresholds required by 3GPP must be tested without MPR.

The allowed Maximum Power Reduction (MPR) for the maximum output power due to higher order modulation and transmit bandwidth configuration (resource blocks) is specified in Table 6.2.3-1 of the 3GPP TS36.101.

**Table 6.2.3-1: Maximum Power Reduction (MPR) for Power Class 3**

Modulation	Channel bandwidth / Transmission bandwidth (RB)						MPR (dB)
	1.4 MHz	3.0 MHz	5 MHz	10 MHz	15 MHz	20 MHz	
QPSK	> 5	> 4	> 8	> 12	> 16	> 18	≤ 1
16 QAM	≤ 5	≤ 4	≤ 8	≤ 12	≤ 16	≤ 18	≤ 1
16 QAM	> 5	> 4	> 8	> 12	> 16	> 18	≤ 2

**3) A-MPR**

A-MPR(Additional MPR) has been disabled for all SAR tests by using Network Signalling Value of “NS\_01” on the base station simulator.

**4) LTE procedures for SAR testing**

A) Largest channel bandwidth standalone SAR test requirements

i) QPSK with 1 RB allocation

Start with the largest channel bandwidth and measure SAR for QPSK with 1 RB allocation, using the RB offset and required test channel combination with the highest maximum output power for RB offsets at the upper edge, middle and lower edge of each required test channel. When the reported SAR is ≤ 0.8 W/kg, testing of the remaining RB offset configurations and required test channels is not required for 1 RB allocation; otherwise, SAR is required for the remaining required test channels and only for the RB offset configuration with the highest output power for that channel. When the reported SAR of a required test channel is > 1.45 W/kg, SAR is required for all three RB offset configurations for that required test channel.

ii) QPSK with 50% RB allocation

The procedures required for 1 RB allocation in i) are applied to measure the SAR for QPSK with 50% RB allocation.

iii) QPSK with 100% RB allocation

For QPSK with 100% RB allocation, SAR is not required when the highest maximum output power for 100 % RB allocation is less than the highest maximum output power in 50% and 1 RB allocations and the highest reported SAR for 1 RB and 50% RB allocation in i) and ii) are ≤ 0.8 W/kg. Otherwise, SAR is measured for the highest output power channel and if the reported SAR is > 1.45 W/kg, the remaining required test channels must also be tested.

## iv) Higher order modulations

For each modulation besides QPSK; e.g., 16-QAM, 64-QAM, apply the QPSK procedures in above sections to determine the QAM configurations that may need SAR measurement. For each configuration identified as required for testing, SAR is required only when the highest maximum output power for the configuration in the higher order modulation is  $> \frac{1}{2}$  dB higher than the same configuration in QPSK or when the reported SAR for the QPSK configuration is  $> 1.45$  W/kg.

## B) Other channel bandwidth standalone SAR test requirements

For the other channel bandwidths used by the device in a frequency band, apply all the procedures required for the largest channel bandwidth in section A) to determine the channels and RB configurations that need SAR testing and only measure SAR when the highest maximum output power of a configuration requiring testing in the smaller channel bandwidth is  $> \frac{1}{2}$  dB higher than the equivalent channel configurations in the largest channel bandwidth configuration or the reported SAR of a configuration for the largest channel bandwidth is  $> 1.45$  W/kg.

**5) TDD LTE test configuration**

According to KDB 941225 D05 SAR for LTE Devices v02r04, for Time-Division Duplex (TDD) systems, SAR must be tested using a fixed periodic duty factor according to the highest transmission duty factor implemented for the device and supported by the defined 3GPP LTE TDD configurations.

**8.4 Wi-Fi Test Configuration**

For the 802.11b/g SAR tests, a communication link is set up with the test mode software for Wi-Fi mode test. The Absolute Radio Frequency Channel Number(ARFCN) is allocated to 1 ,6 and 11 respectively in the case of 2450 MHz.During the test,at the each test frequency channel, the EUT is operated at the RF continuous emission mode. Each channel should be tested at the lowest data rate. 802.11b/g operating modes are tested independently according to the service requirements in each frequency band. 802.11b/g modes are tested on channel 1, 6, 11; however,if output power reduction is necessary for channels 1 and/or 11 to meet restricted band requirements the highest output channel closest to each of these channels must be tested instead.

SAR is not required for 802.11g/n channels when the maximum average output power is less than 0.25dB higher than that measured on the corresponding 802.11b channels.

Mode	Band	GHz	Channel	“Default Test Channels”	
				802.11b	802.11g
802.11b/g	2.4 GHz	2412	1#	√	Δ
		2437	6	√	Δ
		2462	11#	√	Δ

Notes:  
 √ = “default test channels”  
 Δ= possible 802.11g channels with maximum average output ¼ dB the “default test channels”  
 # = when output power is reduced for channel 1 and /or 11 to meet restricted band requirements the highest output channels closest to each of these channels should be tested.

802.11 Test Channels per FCC Requirements

**8.5 WiFi 2.4G SAR Test Procedures**

Separate SAR procedures are applied to DSSS and OFDM configurations in the 2.4 GHz band to simplify DSSS test requirements. For 802.11b DSSS SAR measurements, DSSS SAR procedure applies to fixed exposure test position and initial test position procedure applies to multiple exposure test positions.

**A)802.11b DSSS SAR Test Requirements**

SAR is measured for 2.4 GHz 802.11b DSSS using either a fixed test position or, when applicable, the initial test position procedure. SAR test reduction is determined according to the following:

- 1) When the reported SAR of the highest measured maximum output power channel (section 3.1 of of KDB 248227D01v02) for the exposure configuration is ≤ 0.8 W/kg, no further SAR testing is required for 802.11b DSSS in that exposure configuration.
- 2) When the reported SAR is > 0.8 W/kg, SAR is required for that exposure configuration using the next highest measured output power channel. When any reported SAR is > 1.2 W/kg, SAR is required for the third channel; i.e., all channels require testing.

**B) 2.4GHz 802.11g/n OFDM SAR Test Exclusion Requirements**

When SAR measurement is required for 2.4 GHz 802.11g/n OFDM configurations, the measurement and test reduction procedures for OFDM are applied (section 5.3 of of KDB 248227D01v02r01). SAR is not required for the following 2.4 GHz OFDM conditions.

- 1) When KDB Publication 447498 SAR test exclusion applies to the OFDM configuration.
- 2) When the highest reported SAR for DSSS is adjusted by the ratio of OFDM to DSSS specified maximum output power and the adjusted SAR is  $\leq 1.2$  W/kg.

**C) SAR Test Requirements for OFDM configurations**

When SAR measurement is required for 802.11 g/n OFDM configurations, each standalone and frequency aggregated band is considered separately for SAR test reduction. In applying the initial test configuration and subsequent test configuration procedures, the 802.11 transmission configuration with the highest specified maximum output power and the channel within a test configuration with the highest measured maximum output power should be clearly distinguished to apply the procedures.

**8.6 WiFi 5G SAR Test Procedures****A) U-NII-1 and U-NII-2A Bands**

For devices that operate in only one of the U-NII-1 and U-NII-2A bands, the normally required SAR procedures for OFDM configurations are applied. For devices that operate in both U-NII bands using the same transmitter and antenna(s), SAR test reduction is determined according to the following:

- 1) When the same maximum output power is specified for both bands, begin SAR measurement in U- NII-2A band by applying the OFDM SAR requirements. If the highest reported SAR for a test configuration is  $\leq 1.2$  W/kg, SAR is not required for U-NII-1 band for that configuration (802.11 mode and exposure condition); otherwise, both bands are tested independently for SAR.
- 2) When different maximum output power is specified for the bands, begin SAR measurement in the band with higher specified maximum output power. The highest reported SAR for the tested configuration is adjusted by the ratio of lower to higher specified maximum output power for the two bands. When the adjusted SAR is  $\leq 1.2$  W/kg, SAR is not required for the band with lower maximum output power in that test configuration; otherwise, both bands are tested independently for SAR.
- 3) The two U-NII bands may be aggregated to support a 160 MHz channel on channel number 50.

Without additional testing, the maximum output power for this is limited to the lower of the maximum output power certified for the two bands. When SAR measurement is required for at least one of the bands and the highest reported SAR adjusted by the ratio of specified maximum output power of aggregated to standalone band is  $> 1.2$  W/kg, SAR is required for the 160 MHz channel. This procedure does not apply to an aggregated band with maximum output higher than the standalone band(s); the aggregated band must be tested independently for SAR. SAR is not required when the 160 MHz channel is operating at a reduced maximum power and also qualifies for SAR test exclusion.

**B) U-NII-2C and U-NII-3 Bands**

The frequency range covered by these bands is 380 MHz (5.47 – 5.85 GHz), which requires a minimum of at least two SAR probe calibration frequency points to support SAR measurements. when Terminal Doppler Weather Radar (TDWR) restriction applies, all channels that operate at 5.60 – 5.65 GHz must be included to apply the SAR test reduction and measurement procedures.

When the same transmitter and antenna(s) are used for U-NII-2C band and U-NII-3 band or 5.8 GHz band of §15.247, the bands may be aggregated to enable additional channels with 20, 40 or 80 MHz bandwidth to span across the band gap, as illustrated in Appendix B. The maximum output power for the additional band gap



channels is limited to the lower of those certified for the bands. Unless band gap channels are permanently disabled, they must be considered for SAR testing. The frequency range covered by these bands is 380 MHz (5.47 – 5.85 GHz), which requires a minimum of at least two SAR probe calibration frequency points to support SAR measurements. To maintain SAR measurement accuracy and to facilitate test reduction, the channels in U-NII-2C band above 5.65 GHz may be grouped with the 5.8 GHz channels in U-NII-3 or §15.247 band to enable two SAR probe calibration frequency points to cover the bands, including the band gap channels. When band gap channels are supported and the bands are not aggregated for SAR testing, band gap channels must be considered independently in each band according to the normally required OFDM SAR measurement and probe calibration frequency points requirements.

### **C) OFDM Transmission Mode SAR Test Configuration and Channel Selection Requirements**

The initial test configuration for 5 GHz OFDM transmission modes is determined by the 802.11 configuration with the highest maximum output power specified for production units, including tune-up tolerance, in each standalone and aggregated frequency band. SAR for the initial test configuration is measured using the highest maximum output power channel determined by the default power measurement procedures. When multiple configurations in a frequency band have the same specified maximum output power, the initial test configuration is determined according to the following steps applied sequentially.

- 1) The largest channel bandwidth configuration is selected among the multiple configurations with the same specified maximum output power.
- 2) If multiple configurations have the same specified maximum output power and largest channel bandwidth, the lowest order modulation among the largest channel bandwidth configurations is selected.
- 3) If multiple configurations have the same specified maximum output power, largest channel bandwidth and lowest order modulation, the lowest data rate configuration among these configurations is selected.
- 4) When multiple transmission modes (802.11a/g/n/ac) have the same specified maximum output power, largest channel bandwidth, lowest order modulation and lowest data rate, the lowest order 802.11 mode is selected; i.e., 802.11a is chosen over 802.11n then 802.11ac or 802.11g is chosen over 802.11n. After an initial test configuration is determined, if multiple test channels have the same measured maximum output power, the channel chosen for SAR measurement is determined according to the following. These channel selection procedures apply to both the initial test configuration and subsequent test configuration(s), with respect to the default power measurement procedures or additional power measurements required for further SAR test reduction. The same procedures also apply to subsequent highest output power channel(s) selection.
  - 1) The channel closest to mid-band frequency is selected for SAR measurement.
  - 2) For channels with equal separation from mid-band frequency; for example, high and low channels or two mid-band channels, the higher frequency (number) channel is selected for SAR measurement.

### **D) SAR Test Requirements for OFDM configurations**

When SAR measurement is required for 802.11 a/n/ac OFDM configurations, each standalone and frequency aggregated band is considered separately for SAR test reduction. When the same transmitter and antenna(s) are used for U-NII-1 and U-NII-2A bands, additional SAR test reduction applies. When band gap channels between U-NII-2C band and 5.8 GHz U-NII-3 or §15.247 band are supported, the highest maximum output power transmission mode configuration and maximum output power channel across the bands must be used to determine SAR test reduction, according to the initial test configuration and subsequent test configuration requirements. In applying the initial test configuration and subsequent test configuration procedures, the 802.11 transmission configuration with the highest specified maximum output power and the channel within a test configuration with the highest measured maximum output power should be clearly distinguished to apply the procedures.

## 9 Detailed Test Results

### 9.1 Conducted Power measurements

The maximum conducted average power (Unit: dBm) including tune-up tolerance is shown as below.

#### 9.1.1 Conducted Power of GSM850

GSM850(SIM1)		Burst-Averaged output Power (dBm)			Division Factors	Source Based time Average Power(dBm)		
		128CH	190CH	251CH		128CH	190CH	251CH
GSM(CS)		32.75	32.51	32.79	-9.03	23.72	23.48	23.76
GPRS (GMSK)	1 Tx Slot	32.44	32.25	32.52	-9.03	23.41	23.22	23.49
	2 Tx Slots	30.16	30.18	30.24	-6.02	24.14	24.16	24.22
	3 Tx Slots	28.58	28.68	28.82	-4.26	24.32	24.42	24.56
	4 Tx Slots	27.49	27.55	27.60	-3.01	<b>24.48</b>	<b>24.54</b>	<b>24.59</b>
EGPRS (8-PSK)	1 Tx Slot	27.24	27.48	27.58	-9.03	18.21	18.45	18.55
	2 Tx Slots	27.08	27.15	27.16	-6.02	21.06	21.13	21.14
	3 Tx Slots	26.13	26.25	26.17	-4.26	21.87	21.99	21.91
	4 Tx Slots	25.43	25.48	25.55	-3.01	22.42	22.47	22.54

GSM850(SIM2)		Burst-Averaged output Power (dBm)			Division Factors	Source Based time Average Power(dBm)		
		128CH	190CH	251CH		128CH	190CH	251CH
GSM(CS)		32.71	32.33	32.52	-9.03	23.68	23.30	23.49
GPRS (GMSK)	1 Tx Slot	32.49	32.19	32.32	-9.03	23.46	23.16	23.29
	2 Tx Slots	30.07	30.13	30.22	-6.02	24.05	24.11	24.20
	3 Tx Slots	29.05	29.06	29.08	-4.26	<b>24.79</b>	<b>24.80</b>	<b>24.82</b>
	4 Tx Slots	27.37	27.42	27.52	-3.01	24.36	24.41	24.51
EGPRS (8-PSK)	1 Tx Slot	27.18	27.24	27.46	-9.03	18.15	18.21	18.43
	2 Tx Slots	27.01	27.08	27.04	-6.02	20.99	21.06	21.02
	3 Tx Slots	26.03	26.11	26.09	-4.26	21.77	21.85	21.83
	4 Tx Slots	25.25	25.24	25.37	-3.01	22.24	22.23	22.36

Note: 1) The conducted power of GSM850 is measured with RMS detector.

2) Frame-averaged output power was calculated from the measured burst-averaged output power by converting the slot powers into linear units and calculating the energy over 8 timeslots.

3)The bolded GPRS 4Tx slots mode was selected for SAR testing according the highest Source Based time Average Power table.

4) channel /Frequency: 128/824.2; 190/836.6; 251/848.8



**9.1.2 Conducted Power of GSM1900**

GSM1900(SIM1)		Burst-Averaged output Power (dBm)			Division Factors	Source Based time Average Power(dBm)		
		512CH	661CH	810CH		512CH	661CH	810CH
GSM(CS)		29.51	29.75	29.67	-9.03	20.48	20.72	20.64
GPRS (GMSK)	1 Tx Slot	29.38	29.34	29.21	-9.03	20.35	20.31	20.18
	2 Tx Slots	28.52	28.48	28.46	-6.02	22.50	22.46	22.44
	3 Tx Slots	27.41	27.38	27.38	-4.26	23.15	23.12	23.12
	4 Tx Slots	26.4	26.31	26.34	-3.01	<b>23.39</b>	<b>23.30</b>	<b>23.33</b>
EGPRS (8-PSK)	1 Tx Slot	26.28	26.25	26.26	-9.03	17.25	17.22	17.23
	2 Tx Slots	26.08	25.99	25.96	-6.02	20.06	19.97	19.94
	3 Tx Slots	25.64	25.63	25.58	-4.26	21.38	21.37	21.32
	4 Tx Slots	25.11	25.24	25.15	-3.01	22.10	22.23	22.14

GSM1900(SIM2)		Burst-Averaged output Power (dBm)			Division Factors	Source Based time Average Power(dBm)		
		512CH	661CH	810CH		512CH	661CH	810CH
GSM(CS)		29.42	29.41	29.38	-9.03	20.39	20.38	20.35
GPRS (GMSK)	1 Tx Slot	29.31	29.25	29.15	-9.03	20.28	20.22	20.12
	2 Tx Slots	28.44	28.41	28.42	-6.02	22.42	22.39	22.40
	3 Tx Slots	27.32	27.26	27.33	-4.26	23.06	23.00	23.07
	4 Tx Slots	26.24	26.28	26.28	-3.01	<b>23.23</b>	<b>23.27</b>	<b>23.27</b>
EGPRS (8-PSK)	1 Tx Slot	26.13	26.11	26.13	-9.03	17.10	17.08	17.10
	2 Tx Slots	25.97	25.75	25.72	-6.02	19.95	19.73	19.70
	3 Tx Slots	25.49	25.52	25.44	-4.26	21.23	21.26	21.18
	4 Tx Slots	25.04	25.1	25.08	-3.01	22.03	22.09	22.07

Note: 1) The conducted power of GSM1900 is measured with RMS detector.

2) Frame-averaged output power was calculated from the measured burst-averaged output power by converting the slot powers into linear units and calculating the energy over 8 timeslots.

3)The bolded GPRS 4Tx slots mode was selected for SAR testing according the highest Source Based time Average Power table.

4) channel /Frequency: 512/1850.2; 661/1880; 810/1909.8

**9.1.3 Conducted Power of UMTS Band II**

UMTS Band II		Conducted Power (dBm)		
		9262CH	9400CH	9538CH
WCDMA	12.2kbps RMC	21.48	21.44	21.38
HSDPA	Subtest 1	21.20	21.35	21.21
	Subtest 2	21.17	21.36	21.34
	Subtest 3	21.10	21.24	21.41
	Subtest 4	20.85	20.72	20.76
HSUPA	Subtest 1	21.34	21.42	21.25
	Subtest 2	21.26	21.52	21.28
	Subtest 3	21.17	21.31	21.33
	Subtest 4	21.33	21.40	21.61
	Subtest 5	21.11	21.23	21.15

Note: 1) channel /Frequency: 9262/1852.4, 9400/1880, 9538/1907.6

**9.1.4 Conducted Power of UMTS Band IV**

UMTS Band IV		Conducted Power (dBm)		
		1312CH	1413CH	1513CH
WCDMA	12.2kbps RMC	22.46	22.59	22.38
HSDPA	Subtest 1	22.10	22.13	22.21
	Subtest 2	21.85	21.76	21.33
	Subtest 3	21.74	21.57	21.40
	Subtest 4	21.64	21.77	21.52
HSUPA	Subtest 1	21.67	21.31	21.32
	Subtest 2	21.54	21.62	21.48
	Subtest 3	21.55	21.37	21.36
	Subtest 4	22.32	22.44	22.35
	Subtest 5	21.31	21.42	21.33

Note: 1) channel /Frequency: 1312/1712.4, 1413/1732.5, 1513/1752.6

**9.1.5 Conducted Power of UMTS Band V**

UMTS Band V		Conducted Power (dBm)		
		4132CH	4182CH	4233CH
WCDMA	12.2kbps RMC	22.78	22.72	22.68
HSDPA	Subtest 1	22.51	22.32	22.51
	Subtest 2	21.44	21.64	21.37
	Subtest 3	21.48	21.73	21.51
	Subtest 4	21.36	21.73	21.85
HSUPA	Subtest 1	21.50	21.64	21.37
	Subtest 2	21.84	21.60	21.42
	Subtest 3	21.72	21.73	21.62
	Subtest 4	21.64	22.84	21.51
	Subtest 5	21.55	22.64	22.33

Note: 1) channel /Frequency: 4132/826.4, 4182/836.4, 4233/846.6

**9.1.6 Conducted Power of LTE Band II**

<b>Conducted Power of LTE Band II</b>						
<b>Bandwidth</b>	<b>Modulation</b>	<b>RB size</b>	<b>RB offset</b>	<b>Channel</b>	<b>Channel</b>	<b>Channel</b>
				18607	18900	19193
<b>1.4MHz</b>	<b>QPSK</b>	<b>1</b>	0	22.66	22.04	21.61
			3	21.65	22.88	21.49
			5	21.91	21.50	22.43
		<b>3</b>	0	22.32	22.76	22.31
			2	22.64	21.93	21.60
			3	21.89	22.90	21.60
	<b>6</b>	0	21.02	21.43	22.31	
	<b>16QAM</b>	<b>1</b>	0	21.51	21.72	21.40
			3	21.86	22.52	22.42
			5	21.54	21.96	22.46
		<b>3</b>	0	21.44	22.45	22.61
			2	21.75	21.75	21.53
			3	21.63	21.96	21.56
	<b>6</b>	0	21.30	21.08	21.25	
<b>Bandwidth</b>	<b>Modulation</b>	<b>RB size</b>	<b>RB offset</b>	<b>Channel</b>	<b>Channel</b>	<b>Channel</b>
				18615	18900	19185
<b>3MHz</b>	<b>QPSK</b>	<b>1</b>	0	22.81	22.29	21.30
			7	22.65	21.68	21.98
			14	21.77	21.28	21.39
		<b>8</b>	0	22.57	21.38	22.30
			4	22.24	22.91	22.18
			7	21.95	21.32	21.77
	<b>15</b>	0	22.12	22.66	21.43	
	<b>16QAM</b>	<b>1</b>	0	22.75	21.12	21.01
			7	22.89	22.57	21.56
			14	22.32	21.09	21.54
		<b>8</b>	0	22.02	21.02	22.11
			4	21.30	21.30	21.80
			7	21.64	21.33	21.20
	<b>15</b>	0	21.71	21.18	22.15	

Conducted Power of LTE Band II						
Bandwidth	Modulation	RB size	RB offset	Channel	Channel	Channel
				18625	18900	19175
5MHz	QPSK	1	0	22.95	21.26	22.95
			13	22.65	21.51	21.72
			24	22.58	21.04	22.29
		12	0	22.66	21.86	21.11
			6	22.25	22.75	22.48
			13	22.33	21.26	21.30
	25	0	21.77	21.94	21.78	
	16QAM	1	0	21.08	21.07	21.21
			13	22.58	22.55	21.57
			24	22.73	22.64	22.13
		12	0	21.30	22.61	21.17
			6	21.58	21.15	22.73
			13	22.79	22.16	22.15
	25	0	22.22	22.06	22.35	
Bandwidth	Modulation	RB size	RB offset	Channel	Channel	Channel
				18650	18900	19150
10MHz	QPSK	1	0	21.98	22.17	22.95
			25	21.28	21.33	21.86
			49	22.86	21.90	22.21
		25	0	21.34	21.99	22.22
			13	22.97	22.43	21.83
			25	22.04	21.08	22.89
	50	0	21.05	22.76	21.06	
	16QAM	1	0	21.93	22.00	22.04
			25	22.62	22.97	22.94
			49	22.77	21.84	22.77
		25	0	22.77	21.65	22.15
			13	21.53	22.60	21.63
			25	21.63	21.18	22.80
	50	0	22.46	22.54	22.95	

Conducted Power of LTE Band II						
Bandwidth	Modulation	RB size	RB offset	Channel	Channel	Channel
				18675	18900	19125
15MHz	QPSK	1	0	21.59	21.74	21.64
			38	21.03	22.78	22.62
			74	21.07	22.93	22.30
		36	0	22.07	21.11	21.90
			18	21.80	21.30	21.72
			39	22.57	22.21	22.19
	75	0	21.61	21.92	22.91	
	16QAM	1	0	22.39	22.99	21.32
			38	21.87	22.59	22.27
			74	22.25	22.78	22.71
		36	0	21.90	21.52	22.18
			18	22.47	21.16	21.05
			39	22.46	22.23	22.94
		75	0	21.93	22.74	21.10

**Conducted Power of LTE Band II**

Bandwidth	Modulation	RB size	RB offset	Channel	Channel	Channel
				18700	18900	19100
20MHz	QPSK	1	0	22.82	<b>22.89</b>	22.56
			50	22.39	22.12	21.31
			99	21.65	21.76	22.10
		50	0	22.58	<b>22.87</b>	21.41
			25	22.00	22.06	21.64
			50	21.21	22.75	22.70
	100	0	22.12	<b>22.90</b>	22.78	
	16QAM	1	0	21.80	21.29	22.21
			50	21.15	21.35	22.63
			99	21.27	22.74	22.53
		50	0	21.64	21.29	21.20
			25	21.65	21.02	21.16
			50	22.12	22.13	22.27
		100	0	21.68	22.28	22.88

**9.1.7 Conducted Power of LTE Band IV**

<b>Conducted Power of LTE Band IV</b>							
<b>Bandwidth</b>	<b>Modulation</b>	<b>RB size</b>	<b>RB offset</b>	<b>Channel</b>	<b>Channel</b>	<b>Channel</b>	
				19957	20393	20175	
<b>1.4MHz</b>	<b>QPSK</b>	<b>1</b>	0	20.89	21.90	21.73	
			3	21.32	21.42	22.29	
			5	21.18	21.27	22.00	
		<b>3</b>	0	21.26	22.08	21.85	
			2	20.78	21.87	21.73	
			3	21.18	21.77	22.05	
	<b>6</b>	0	20.75	21.49	22.39		
	<b>16QAM</b>	<b>1</b>	0	21.02	21.21	22.04	
			3	20.82	21.68	21.74	
			5	21.00	21.60	21.94	
		<b>3</b>	0	21.38	21.75	22.43	
			2	20.99	21.93	22.20	
			3	21.31	22.10	22.66	
	<b>6</b>	0	20.77	21.47	22.62		
<b>Bandwidth</b>	<b>Modulation</b>	<b>RB size</b>	<b>RB offset</b>	<b>Channel</b>	<b>Channel</b>	<b>Channel</b>	
				19965	20175	20385	
<b>3MHz</b>	<b>QPSK</b>	<b>1</b>	0	21.04	21.76	22.40	
			7	20.72	22.20	21.73	
			14	20.98	21.87	21.94	
		<b>8</b>	0	20.71	21.34	22.36	
			4	20.72	22.12	21.83	
			7	21.23	21.36	22.47	
		<b>15</b>	0	20.63	21.87	22.49	
		<b>16QAM</b>	<b>1</b>	0	21.24	21.40	21.99
				7	20.44	21.82	22.45
	14			21.33	21.82	21.87	
	<b>8</b>		0	21.01	21.95	21.85	
			4	21.37	21.65	22.48	
			7	21.33	21.57	22.17	
	<b>15</b>		0	20.82	21.45	22.33	

Conducted Power of LTE Band IV						
Bandwidth	Modulation	RB size	RB offset	Channel	Channel	Channel
				19975	20175	20375
5MHz	QPSK	1	0	20.99	22.01	22.24
			13	20.51	21.21	22.68
			24	21.08	21.28	21.82
		12	0	20.82	21.70	22.15
			6	20.95	22.19	21.82
			13	21.33	21.30	22.69
	25	0	21.28	22.07	21.73	
	16QAM	1	0	20.60	21.33	22.24
			13	21.01	21.22	22.37
			24	20.42	21.82	22.15
		12	0	20.58	21.20	21.94
			6	20.91	22.13	21.79
			13	21.06	21.35	21.75
	25	0	20.69	22.16	22.64	
Bandwidth	Modulation	RB size	RB offset	Channel	Channel	Channel
				20000	20175	20350
10MHz	QPSK	1	0	21.30	21.62	22.33
			25	20.99	21.78	21.97
			49	20.87	21.30	22.56
		25	0	20.67	22.09	22.23
			13	20.95	21.96	22.19
			25	20.45	21.51	21.73
	50	0	21.08	21.28	22.33	
	16QAM	1	0	20.96	21.47	22.47
			25	21.20	21.53	22.23
			49	20.59	21.69	22.11
		25	0	21.30	21.81	22.07
			13	20.81	21.29	22.62
			25	20.53	22.12	22.65
	50	0	21.15	21.68	22.34	



Conducted Power of LTE Band IV						
Bandwidth	Modulation	RB size	RB offset	Channel	Channel	Channel
				20025	20175	20325
15MHz	QPSK	1	0	22.21	22.16	21.81
			38	22.08	21.21	21.94
			74	21.72	22.09	22.64
		36	0	21.40	21.69	22.66
			18	21.57	21.22	21.76
			39	20.80	22.17	22.48
	75	0	22.33	21.80	22.25	
	16QAM	1	0	21.66	22.19	22.36
			38	21.61	22.09	22.14
			74	21.57	22.16	22.42
		36	0	20.82	21.85	22.67
			18	20.70	21.66	21.76
			39	20.80	21.88	21.85
		75	0	22.22	21.73	22.40

Conducted Power of LTE Band IV						
Bandwidth	Modulation	RB size	RB offset	Channel	Channel	Channel
				20050	20175	20300
20MHz	QPSK	1	0	20.43	21.98	22.17
			50	20.64	21.79	22.09
			99	20.77	<b>22.38</b>	22.31
		50	0	21.25	22.08	22.27
			25	20.90	22.20	22.44
			50	21.16	<b>22.48</b>	22.07
	100	0	21.05	<b>21.95</b>	21.93	
	16QAM	1	0	21.06	21.29	22.65
			50	21.24	21.55	22.57
			99	21.07	21.44	22.70
		50	0	20.75	22.18	22.30
			25	20.93	21.41	22.60
			50	21.39	21.36	21.99
		100	0	20.42	21.26	22.25

**9.1.8 Conducted Power of LTE Band VII**

<b>Conducted Power of LTE Band VII</b>							
<b>Bandwidth</b>	Modulation	RB size	RB offset	Channel	Channel	Channel	
				20775	21100	21425	
<b>5MHz</b>	QPSK	1	0	20.78	21.21	22.65	
			13	20.62	21.79	22.29	
			24	21.31	21.91	22.11	
		12	0	20.91	22.11	22.44	
			6	20.63	21.75	21.81	
			13	20.93	21.30	22.55	
	25	0	21.03	21.81	22.62		
	16QAM	1	0	20.44	22.16	22.44	
			13	20.99	22.05	22.65	
			24	20.81	21.81	22.08	
		12	0	20.40	21.77	22.55	
			6	21.24	21.86	22.05	
			13	20.85	21.92	21.88	
		25	0	20.57	22.12	22.55	
<b>Bandwidth</b>		Modulation	RB size	RB offset	Channel	Channel	Channel
					20800	21100	21400
<b>10MHz</b>	QPSK	1	0	21.05	21.88	21.73	
			25	21.31	21.69	21.94	
			49	20.81	21.44	22.53	
		25	0	21.02	21.81	22.02	
			13	20.46	21.67	21.71	
			25	21.19	21.92	21.84	
		50	0	21.34	22.03	22.00	
		16QAM	1	0	20.62	21.85	22.40
				25	20.55	21.39	22.02
	49			20.62	21.39	22.22	
	25		0	21.19	21.45	22.21	
			13	20.47	21.46	21.80	
			25	20.44	21.48	22.19	
	50		0	21.27	21.76	21.87	

Conducted Power of LTE Band VII						
Bandwidth	Modulation	RB size	RB offset	Channel	Channel	Channel
				20825	21100	21375
15MHz	QPSK	1	0	22.21	21.96	22.43
			38	22.08	21.38	22.23
			74	21.72	21.99	21.84
		36	0	21.40	21.27	22.38
			18	21.57	22.03	22.36
			39	20.80	21.33	22.52
	75	0	22.33	21.28	22.31	
	16QAM	1	0	21.66	21.58	22.50
			38	21.61	21.74	21.73
			74	21.57	21.97	22.41
		36	0	20.82	21.65	22.14
			18	20.70	21.98	22.15
			39	20.80	22.04	21.70
		75	0	22.22	22.16	21.99

Conducted Power of LTE Band VII						
Bandwidth	Modulation	RB size	RB offset	Channel	Channel	Channel
				20850	21100	21350
20MHz	QPSK	1	0	20.97	<b>22.70</b>	22.56
			50	21.21	22.09	22.32
			99	20.61	21.36	22.53
		50	0	20.78	22.04	22.39
			25	20.51	22.08	22.35
			50	21.08	<b>22.96</b>	22.29
	100	0	20.75	<b>22.01</b>	21.69	
	16QAM	1	0	21.03	21.92	22.47
			50	20.56	21.27	22.57
			99	21.28	22.02	22.38
		50	0	20.83	21.62	22.62
			25	20.88	21.92	21.85
			50	21.26	21.98	22.12
		100	0	21.36	21.34	21.77

**9.1.9 Conducted Power of Wi-Fi 2.4G**

Mode	802.11b		
Channel / Frequency (MHz)	1(2412)	6(2437)	11(2462)
Average Power(dBm)	15.47	16.01	15.81
Mode	802.11g		
Channel / Frequency (MHz)	1(2412)	6(2437)	11(2462)
Average Power(dBm)	13.31	14.04	13.78
Mode	802.11n(HT20)		
Channel / Frequency (MHz)	1(2412)	6(2437)	11(2462)
Average Power(dBm)	13.61	14.56	14.18
Mode	802.11n(HT40)		
Channel / Frequency (MHz)	1(2412)	6(2437)	11(2462)
Average Power(dBm)	14.88	14.53	14.11

**9.1.10 Conducted Power of Wi-Fi 5G**

Band	Mode	Channel	Frequency (MHz)	Data Rate (Mbps)	Power Setting	Tune-up	Average Power (dBm)	SAR Test (Yes/No)
5.2G	802.11a	36	5180	6	16	15.00	15.61	Yes
		40	5200		16	15.00	15.20	No
		44	5220		16	15.00	15.50	No
		48	5240		16	15.00	14.92	No
	802.11n HT20	36	5180	6.5	14	13.00	Not Required	No
		40	5200		14	13.00	Not Required	No
		44	5220		14	13.00	Not Required	No
		48	5240		14	13.00	Not Required	No
	802.11n HT40	38	5190	13.5	13	12.00	Not Required	No
		46	5230		13	12.00	Not Required	No
	802.11ac 20M	36	5180	6.5M	15	14.00	Not Required	No
		40	5200		15	14.00	Not Required	No
		44	5220		15	14.00	Not Required	No
		48	5240		15	14.00	Not Required	No
	802.11ac 40M	38	5190	13.5M	15	14.00	Not Required	No
		46	5230		15	14.00	Not Required	No
802.11ac 80M	42	5210	29.3M	14	13.00	Not Required	No	

Band	Mode	Channel	Frequency (MHz)	Data Rate (Mbps)	Power Setting	Tune-up	Average Power (dBm)	SAR Test (Yes/No)
5.3G	802.11a	52	5260	6	16	15.00	15.13	No
		56	5280		16	15.00	15.17	No
		60	5300		16	15.00	15.30	No
		64	5320		16	15.00	15.32	Yes
	802.11n HT20	52	5260	6.5	14	14.00	Not Required	No
		56	5280		14	14.00	Not Required	No
		60	5300		14	14.00	Not Required	No
		64	5320		14	14.00	Not Required	No
	802.11n HT40	54	5270	13.5	13	12.00	Not Required	No
		62	5310		13	12.00	Not Required	No
		138	5690		/	/	/	No
	802.11ac 20M	52	5260	6.5M	14	14.00	Not Required	No
		56	5280		14	14.00	Not Required	No
		60	5300		14	14.00	Not Required	No
		64	5320		14	14.00	Not Required	No
	802.11ac 40M	54	5270	13.5M	15	13.00	Not Required	No
		62	5310		15	13.00	Not Required	No
	802.11ac 80M	58	5290	29.3M	14	13.00	Not Required	No
Band	Mode	Channel	Frequency (MHz)	Data Rate (Mbps)	Power Setting	Tune-up	Average Power (dBm)	SAR Test (Yes/No)
5.8G	802.11a	149	5745	6	14	15.00	15.23	No
		153	5765		14	15.00	15.29	No
		157	5785		14	15.00	15.33	No
		161	5805		14	15.00	15.09	No
		165	5825		14	15.00	15.65	Yes
	802.11n HT20	149	5745	6.5	12	14.00	Not Required	No
		153	5765		12	14.00	Not Required	No
		157	5785		12	14.00	Not Required	No
		161	5805		12	14.00	Not Required	No
		165	5825		12	14.00	Not Required	No
	802.11n HT40	151	5755	13.5	11	13.00	Not Required	No
		159	5795		11	13.00	Not Required	No
			149	5745	6.5M	13	13.50	Not Required

	802.11ac 20M	153	5765	6.5M	13	13.50	Not Required	No
		157	5785		13	13.50	Not Required	No
		161	5805		13	13.50	Not Required	No
		165	5825		13	13.50	Not Required	No
	802.11ac 40M	151	5755	13.5M	14	13.00	Not Required	No
		159	5795		14	13.00	Not Required	No
	802.11ac 80M	155	5775	29.3M	14	13.00	Not Required	No

### 9.1.11 Conducted Power of BT

The maximum output power of BT is:

Mode	1Mbps		
Channel / Frequency (MHz)	0(2402)	39(2441)	78(2480)
Average Power(dBm)	2.55	3.11	3.85
Mode	2Mbps		
Channel / Frequency (MHz)	0(2402)	39(2441)	78(2480)
Average Power(dBm)	2.54	3.07	0.82
Mode	3Mbps		
Channel / Frequency (MHz)	0(2402)	39(2441)	78(2480)
Average Power(dBm)	-0.45	3.05	0.78

## 9.2 SAR test results

### Notes:

1) Per KDB447498 D01v05 r02, the SAR test shall be performed at the high, middle and low frequency channels of each operating mode. If the scaled SAR measured at mid-band channel for each test configuration is at least 3.0 dB lower than the SAR limit ( $< 0.8$  W/kg), testing at the high and low channels is optional.

2) Per KDB447498 D01v05r02, testing of other required channels within the operating mode of a frequency band is not required when the reported 1-g or 10-g SAR for the mid-band or highest output power channel is:  $\leq 0.8$  W/kg or  $2.0$  W/kg, for 1-g or 10-g respectively, when the transmission band is  $\leq 100$  MHz. When the maximum output power variation across the required test channels is  $> \frac{1}{2}$  dB, instead of the middle channel, the highest output power channel must be used.

3) Per KDB447498 D01v05r02, All measurement SAR result is scaled-up to account for tune-up tolerance is compliant.

4) Per KDB648474 D04v01r02, body-worn accessory testing is typically associated with voice operations. Therefore, GSM voice was evaluated for body-worn with headset SAR.

5) Per KDB248227 D01v01r02, the procedures required to establish specific device operating configurations for testing the SAR of 802.11 a/b/g transmitters.

(1) For handsets operating next to ear, hotspot mode or mini-tablet configurations, the initial test position procedures were applied. The test position with the highest extrapolated peak SAR will be used as the initial test position. When the reported SAR of initial test position is  $\leq 0.4$  W/kg, SAR testing for remaining test positions is not required. Otherwise, SAR is evaluated at the subsequent highest peak SAR positions until the reported SAR result is  $\leq 0.8$  W/kg or all test positions are measured.

(2) For WLAN 2.4 GHz, the highest measured maximum output power channel for DSSS was selected for SAR measurement. When the reported SAR is  $\leq 0.8$  W/kg, no further SAR testing is required. Otherwise, SAR is evaluated at the next highest measured output power channel. When any reported SAR is  $> 1.2$  W/kg, SAR is required for the third channel. For OFDM modes (802.11g/n), SAR is not required when the highest reported SAR for DSSS is adjusted by the ratio of OFDM to DSSS specified maximum output power and it is  $\leq 1.2$  W/kg.

(3) For WLAN 5 GHz, the initial test configuration was selected according to the transmission mode with the highest maximum output power. When the reported SAR of initial test configuration is  $> 0.8$  W/kg, SAR is required for the subsequent highest measured output power channel until the reported SAR result is  $\leq 1.2$  W/kg or all required channels are measured. For other transmission modes, SAR

is not required when the highest reported SAR for initial test configuration is adjusted by the ratio of subsequent test configuration to initial test configuration specified maximum output power and it is  $\leq 1.2$  W/kg.

6) Per KDB865664 D01v01r04, for each frequency band, repeated SAR measurement is required only when the measured SAR is  $\geq 0.8$  W/Kg; if the deviation among the repeated measurement is  $\leq 20\%$ , and the measured SAR  $< 1.45$  W/Kg, only one repeated measurement is required.

7) Per KDB865664 D02v01r01, SAR plot is only required for the highest measured SAR in each exposure configuration, wireless mode and frequency band combination; Plots are also required when the measured SAR is  $> 1.5$  W/kg, or  $> 7.0$  W/kg for occupational exposure. The published RF exposure KDB procedures may require additional plots; for example, to support SAR to peak location separation ratio test exclusion and/or volume scan post-processing (Refer to appendix B for details).

8) Per KDB941225 D06v01r01, the DUT Dimension is bigger than 9 cm x 5 cm, so 10mm is chosen as the test separation distance for Hotspot mode. When the antenna-to-edge distance is greater than 2.5cm, such position does not need to be tested.

9) Per KDB 941225 D01, 3G SAR Measurement Procedures, The mode tested for SAR is referred to as the primary mode. The equivalent modes considered for SAR test reduction are denoted as secondary modes. Both primary and secondary modes must be in the same frequency band. When the maximum output power and tune-up tolerance specified for production units in a secondary mode is  $\leq 1/4$  dB higher than the primary mode or when the highest reported SAR of the primary mode is scaled by the ratio of specified maximum output power and tune-up tolerance of secondary to primary mode and the adjusted SAR is  $\leq 1.2$  W/kg, SAR measurement is not required for the secondary mode.

10) Per KDB 941225 D05, SAR Evaluation Considerations for LTE Devices

(1) QPSK with 1 RB and 50% RB allocation

Start with the largest channel bandwidth and measure SAR, using the RB offset and required test channel combination with the highest maximum output power among RB offsets at the upper edge, middle and lower edge of each required test channel. When the reported SAR is  $\leq 0.8$  W/kg, testing of the remaining RB offset configurations and required test channels is not required; otherwise, SAR is required for the remaining required test channels and only for the RB offset configuration with the highest output power for that channel. When the reported SAR of a required test channel is  $> 1.45$  W/kg, SAR is required for all three RB offset configurations for that required test channel.

(2) QPSK with 100% RB allocation

SAR is not required when the highest maximum output power for 100% RB allocation is less than the highest maximum output power in 50% and 1 RB allocations and the highest reported SAR for 1 RB and 50% RB allocation are  $\leq 0.8$  W/kg. Otherwise, SAR is measured for the highest output power channel; and if the reported SAR is  $> 1.45$  W/kg, the remaining required test channels must also be tested.



(3) Higher order modulations

SAR is required only when the highest maximum output power for the configuration in the higher order modulation is  $> 1/2$  dB higher than the same configuration in QPSK or when the reported SAR for the QPSK configuration is  $> 1.45$  W/kg.

(4) Other channel bandwidth

SAR is required when the highest maximum output power of the smaller channel bandwidth is  $> 1/2$  dB higher than the equivalent channel configurations in the largest channel bandwidth configuration or the reported SAR of a configuration for the largest channel bandwidth is  $> 1.45$  W/kg.

**9.2.1 Results overview of GSM850**

Test Position of Head	Test channel /Freq.(MHz)	Test Mode	SAR Value (W/kg)		Power Drift (%)	Conducted Power (dBm)	Tune-up Limit (dBm)	Scaled SAR <sub>1-g</sub> (W/kg)	Scaling Factor
			1-g	10-g					
Left Head Touched	251/848.8	GPRS 4TS	0.510	0.355	-0.560	27.600	28.000	<b>0.559</b>	1.10
Left Head Tilted 15°	251/848.8	GPRS 4TS	0.259	0.183	-1.700	27.600	28.000	0.284	1.10
Right Head Touched	251/848.8	GPRS 4TS	0.366	0.256	0.880	27.600	28.000	0.401	1.10
Right Head Tilted 15°	251/848.8	GPRS 4TS	0.317	0.231	-1.730	27.600	28.000	0.348	1.10
Test Position of Body with 10mm	Test channel /Freq.(MHz)	Test Mode	SAR Value (W/kg)		Power Drift (%)	Conducted Power (dBm)	Tune-up Limit (dBm)	Scaled SAR <sub>1-g</sub> (W/kg)	Scaling Factor
			1-g	10-g					
Towards Phantom	251/848.8	GPRS 4TS	0.415	0.295	1.410	27.600	28.000	0.455	1.10
Towards Ground	251/848.8	GPRS 4TS	0.554	0.305	2.610	27.600	28.000	<b>0.607</b>	1.10
SAR Results for Hotspot Exposure Condition									
Front Side	251/848.8	GPRS 4TS	0.432	0.308	2.140	27.600	28.000	0.474	1.10
Rear Side	251/848.8	GPRS 4TS	0.538	0.386	-2.440	27.600	28.000	<b>0.590</b>	1.10
Bottom Side	251/848.8	GPRS 4TS	0.319	0.176	-1.800	27.600	28.000	0.350	1.10
Right Side	251/848.8	GPRS 4TS	0.414	0.269	-4.900	27.600	28.000	0.454	1.10

**9.2.2 Results overview of GSM1900**

Test Position of Head	Test channel /Freq.(MHz)	Test Mode	SAR Value (W/kg)		Power Drift (%)	Conducted Power (dBm)	Tune-up Limit (dBm)	Scaled SAR <sub>1-g</sub> (W/kg)	Scalig Factor
			1-g	10-g					
Left Head Touched	512/1850.2	GPRS 4TS	0.308	0.191	-0.830	26.400	26.500	<b>0.315</b>	1.02
Left Head Tilted 15°	512/1850.2	GPRS 4TS	0.086	0.048	1.680	26.400	26.500	0.088	1.02
Right Head Touched	512/1850.2	GPRS 4TS	0.219	0.129	-1.910	26.400	26.500	0.224	1.02
Right Head Tilted 15°	512/1850.2	GPRS 4TS	0.111	0.065	0.820	26.400	26.500	0.114	1.02
Test Position of Body with 10mm	Test channel /Freq.(MHz)	Test Mode	SAR Value (W/kg)		Power Drift (%)	Conducted Power (dBm)	Tune-up Limit (dBm)	Scaled SAR <sub>1-g</sub> (W/kg)	Scalig Factor
			1-g	10-g					
Towards Phantom	512/1850.2	GPRS 4TS	0.519	0.299	-1.010	26.400	26.500	0.531	1.02
Towards Ground	512/1850.2	GPRS 4TS	0.732	0.415	-1.720	26.400	26.500	<b>0.749</b>	1.02
<b>SAR Results for Hotspot Exposure Condition</b>									
Front Side	512/1850.2	GPRS 4TS	0.554	0.316	-0.290	26.400	26.500	0.567	1.02
Rear Side	512/1850.2	GPRS 4TS	0.731	0.397	-2.020	26.400	26.500	<b>0.748</b>	1.02
Bottom Side	512/1850.2	GPRS 4TS	0.632	0.388	-1.330	26.400	26.500	0.647	1.02
Right Side	512/1850.2	GPRS 4TS	0.125	0.076	-3.920	26.400	26.500	0.128	1.02

### 9.2.3 Results overview of UMTS Band II

Test Position of Head	Test channel /Freq.(MHz)	Test Mode	SAR Value (W/kg)		Power Drift (%)	Conducted Power (dBm)	Tune-up Limit (dBm)	Scaled SAR <sub>1-g</sub> (W/kg)	Scalig Factor
			1-g	10-g					
Left Head Touched	9262/1852.4	RMC	0.465	0.262	1.900	21.480	21.500	<b>0.467</b>	1.00
Left Head Tilted 15°	9262/1852.4	RMC	0.098	0.055	-4.770	21.480	21.500	0.098	1.00
Right Head Touched	9262/1852.4	RMC	0.292	0.172	0.530	21.480	21.500	0.293	1.00
Right Head Tilted 15°	9262/1852.4	RMC	0.105	0.062	3.560	21.480	21.500	0.105	1.00
Test Position of Body with 10mm	Test channel /Freq.(MHz)	Test Mode	SAR Value (W/kg)		Power Drift (%)	Conducted Power (dBm)	Tune-up Limit (dBm)	Scaled SAR <sub>1-g</sub> (W/kg)	Scalig Factor
			1-g	10-g					
Towards Phantom	9262/1852.4	RMC	0.673	0.384	0.350	21.480	21.500	0.676	1.00
Towards Ground	9262/1852.4	RMC	0.788	0.435	-1.870	21.480	21.500	<b>0.792</b>	1.00
SAR Results for Hotspot Exposure Condition									
Front Side	9262/1852.4	RMC	0.449	0.269	-0.300	21.480	21.500	0.451	1.00
Rear Side	9262/1852.4	RMC	0.794	0.472	2.110	21.480	21.500	<b>0.798</b>	1.00
Bottom Side	9262/1852.4	RMC	0.405	0.227	-1.940	21.480	21.500	0.407	1.00
Right Side	9262/1852.4	RMC	0.108	0.067	1.560	21.480	21.500	0.108	1.00

**9.2.4 Results overview of UMTS Band IV**

Test Position of Head	Test channel /Freq.(MHz)	Test Mode	SAR Value (W/kg)		Power Drift (%)	Conducted Power (dBm)	Tune-up Limit (dBm)	Scaled SAR <sub>1-g</sub> (W/kg)	Scalig Factor
			1-g	10-g					
Left Head Touched	1413/1732.5	RMC	0.523	0.231	-1.010	22.590	23.000	<b>0.575</b>	1.10
Left Head Tilted 15°	1413/1732.5	RMC	0.112	0.069	0.350	22.590	23.000	0.123	1.10
Right Head Touched	1413/1732.5	RMC	0.335	0.205	-3.970	22.590	23.000	0.368	1.10
Right Head Tilted 15°	1413/1732.5	RMC	0.171	0.106	-0.970	22.590	23.000	0.188	1.10
Test Position of Body with 10mm	Test channel /Freq.(MHz)	Test Mode	SAR Value (W/kg)		Power Drift (%)	Conducted Power (dBm)	Tune-up Limit (dBm)	Scaled SAR <sub>1-g</sub> (W/kg)	Scalig Factor
			1-g	10-g					
Towards Phantom	1413/1732.5	RMC	0.580	0.369	-2.120	22.590	23.000	0.637	1.10
Towards Ground	1413/1732.5	RMC	0.658	0.394	-0.280	22.590	23.000	<b>0.723</b>	1.10
SAR Results for Hotspot Exposure Condition									
Front Side	1413/1732.5	RMC	0.598	0.367	-0.690	22.590	23.000	0.657	1.10
Rear Side	1413/1732.5	RMC	0.689	0.412	-0.320	22.590	23.000	<b>0.757</b>	1.10
Bottom Side	1413/1732.5	RMC	0.532	0.364	-1.740	22.590	23.000	0.585	1.10
Right Side	1413/1732.5	RMC	0.193	0.120	1.220	22.590	23.000	0.212	1.10

**9.2.5 Results overview of UMTS Band V**

Test Position of Head	Test channel /Freq.(MHz)	Test Mode	SAR Value (W/kg)		Power Drift (%)	Conducted Power (dBm)	Tune-up Limit (dBm)	Scaled SAR <sub>1-g</sub> (W/kg)	Scalig Factor
			1-g	10-g					
Left Head Touched	4132/826.4	RMC	0.392	0.274	-0.150	22.780	22.800	<b>0.394</b>	1.00
Left Head Tilted 15°	4132/826.4	RMC	0.242	0.176	4.880	22.780	22.800	0.243	1.00
Right Head Touched	4132/826.4	RMC	0.250	0.186	-0.860	22.780	22.800	0.251	1.00
Right Head Tilted 15°	4132/826.4	RMC	0.183	0.135	0.110	22.780	22.800	0.184	1.00
Test Position of Body with 10mm	Test channel /Freq.(MHz)	Test Mode	SAR Value (W/kg)		Power Drift (%)	Conducted Power (dBm)	Tune-up Limit (dBm)	Scaled SAR <sub>1-g</sub> (W/kg)	Scalig Factor
			1-g	10-g					
Towards Phantom	4132/826.4	RMC	0.377	0.274	-0.560	22.780	22.800	0.379	1.00
Towards Ground	4132/826.4	RMC	0.467	0.342	-0.220	22.780	22.800	<b>0.469</b>	1.00
SAR Results for Hotspot Exposure Condition									
Front Side	4132/826.4	RMC	0.376	0.274	-0.120	22.780	22.800	0.378	1.00
Rear Side	4132/826.4	RMC	0.468	0.344	-0.330	22.780	22.800	<b>0.470</b>	1.00
Bottom Side	4132/826.4	RMC	0.194	0.109	-1.110	22.780	22.800	0.195	1.00
Right Side	4132/826.4	RMC	0.286	0.192	-4.390	22.780	22.800	0.287	1.00

## 9.2.6 Results overview of LTE Band II

Test Position of Head	Test channel /Freq.(MHz)	Test Mode	SAR Value (W/kg)		Power Drift (%)	Conducted Power (dBm)	Tune-up Limit (dBm)	Scaled SAR <sub>1-g</sub> (W/kg)	Scalig Factor
			1-g	10-g					
Left Head Touched	18900/1880	20M QPSK 1RB#0	0.331	0.196	0.050	22.890	23.000	<b>0.339</b>	1.03
Left Head Tilted 15°	18900/1880	20M QPSK 1RB#0	0.055	0.031	-0.650	22.890	23.000	0.056	1.03
Right Head Touched	18900/1880	20M QPSK 1RB#0	0.290	0.169	0.190	22.890	23.000	0.297	1.03
Right Head Tilted 15°	18900/1880	20M QPSK 1RB#0	0.115	0.069	-0.330	22.890	23.000	0.118	1.03
Left Head Touched	18900/1880	20M QPSK 50RB#0	0.259	0.154	-0.220	22.870	23.000	0.267	1.03
Left Head Tilted 15°	18900/1880	20M QPSK 50RB#0	0.055	0.031	-0.520	22.870	23.000	0.057	1.03
Right Head Touched	18900/1880	20M QPSK 50RB#0	0.292	0.170	-0.080	22.870	23.000	0.301	1.03
Right Head Tilted 15°	18900/1880	20M QPSK 50RB#0	0.094	0.056	-0.460	22.870	23.000	0.097	1.03
Test Position of Body with 10mm	Test channel /Freq.(MHz)	Test Mode	SAR Value (W/kg)		Power Drift (%)	Conducted Power (dBm)	Tune-up Limit (dBm)	Scaled SAR <sub>1-g</sub> (W/kg)	Scalig Factor
			1-g	10-g					
Towards Phantom	18900/1880	20M QPSK 1RB#0	0.224	0.127	0.900	22.890	23.000	0.230	1.03
Towards Ground	18900/1880	20M QPSK 1RB#0	0.407	0.221	-0.100	22.890	23.000	0.417	1.03
Towards Phantom	18900/1880	20M QPSK 50RB#0	0.290	0.163	0.160	22.870	23.000	0.299	1.03
Towards Ground	18900/1880	20M QPSK 50RB#0	0.418	0.226	1.130	22.870	23.000	<b>0.431</b>	1.03
SAR Results for Hotspot Exposure Condition									
Front side	18900/1880	20M QPSK 1RB#0	0.370	0.214	-0.560	22.890	23.000	0.379	1.03
Rear side	18900/1880	20M QPSK 1RB#0	0.531	0.290	-0.190	22.890	23.000	0.545	1.03
Bottom side	18900/1880	20M QPSK 1RB#0	0.773	0.511	-2.740	22.890	23.000	<b>0.798</b>	1.03
Right side	18900/1880	20M QPSK 1RB#0	0.162	0.097	0.030	22.890	23.000	0.166	1.03
Front side	18900/1880	20M QPSK 50RB#0	0.300	0.173	-0.070	22.870	23.000	0.309	1.03
Rear side	18900/1880	20M QPSK 50RB#0	0.529	0.288	-0.290	22.870	23.000	0.545	1.03
Bottom side	18900/1880	20M QPSK 50RB#0	0.764	0.402	-0.930	22.870	23.000	0.787	1.03
Right side	18900/1880	20M QPSK 50RB#0	0.127	0.076	0.760	22.870	23.000	0.131	1.03

### 9.2.7 Results overview of LTE Band IV

Test Position of Head	Test channel /Freq.(MHz)	Test Mode	SAR Value (W/kg)		Power Drift (%)	Conducted Power (dBm)	Tune-up Limit (dBm)	Scaled SAR <sub>1-g</sub> (W/kg)	Scalig Factor
			1-g	10-g					
Left Head Touched	20175/1732.5	20M QPSK 1RB#99	0.368	0.214	0.070	22.380	22.500	<b>0.378</b>	1.03
Left Head Tilted 15°	20175/1732.5	20M QPSK 1RB#99	0.085	0.052	-0.370	22.380	22.500	0.087	1.03
Right Head Touched	20175/1732.5	20M QPSK 1RB#99	0.182	0.108	-0.300	22.380	22.500	0.187	1.03
Right Head Tilted 15°	20175/1732.5	20M QPSK 1RB#99	0.100	0.062	-0.120	22.380	22.500	0.103	1.03
Left Head Touched	20175/1732.5	20M QPSK 50RB#50	0.363	0.205	-0.890	22.480	22.500	0.365	1.00
Left Head Tilted 15°	20175/1732.5	20M QPSK 50RB#50	0.085	0.052	-0.640	22.480	22.500	0.085	1.00
Right Head Touched	20175/1732.5	20M QPSK 50RB#50	0.189	0.112	-1.250	22.480	22.500	0.190	1.00
Right Head Tilted 15°	20175/1732.5	20M QPSK 50RB#50	0.101	0.062	-0.450	22.480	22.500	0.101	1.00
Test Position of Body with 10mm	Test channel /Freq.(MHz)	Test Mode	SAR Value (W/kg)		Power Drift (%)	Conducted Power (dBm)	Tune-up Limit (dBm)	Scaled SAR <sub>1-g</sub> (W/kg)	Scalig Factor
			1-g	10-g					
Towards Phantom	20175/1732.5	20M QPSK 1RB#99	0.614	0.345	0.540	22.380	22.500	0.631	1.03
Towards Ground	20175/1732.5	20M QPSK 1RB#99	0.721	0.436	0.530	22.380	22.500	<b>0.741</b>	1.03
Towards Phantom	20175/1732.5	20M QPSK 50RB#50	0.604	0.348	-0.340	22.480	22.500	0.607	1.00
Towards Ground	20175/1732.5	20M QPSK 50RB#50	0.708	0.415	-0.720	22.480	22.500	0.711	1.00
SAR Results for Hotspot Exposure Condition									
Front side	20175/1732.5	20M QPSK 1RB#99	0.686	0.370	2.570	22.380	22.500	0.708	1.03
Rear side	20175/1732.5	20M QPSK 1RB#99	0.697	0.490	-0.530	22.380	22.500	0.719	1.03
Bottom side	20175/1732.5	20M QPSK 1RB#99	0.706	0.382	-1.700	22.380	22.500	0.726	1.03
Right side	20175/1732.5	20M QPSK 1RB#99	0.270	0.163	-0.020	22.380	22.500	0.278	1.03
Front side	20175/1732.5	20M QPSK 50RB#50	0.715	0.365	-0.540	22.480	22.500	0.718	1.00
Rear side	20175/1732.5	20M QPSK 50RB#50	0.782	0.403	-0.640	22.480	22.500	<b>0.786</b>	1.00
Bottom side	20175/1732.5	20M QPSK 50RB#50	0.710	0.384	-1.270	22.480	22.500	0.713	1.00
Right side	20175/1732.5	20M QPSK 50RB#50	0.213	0.129	-0.880	22.480	22.500	0.214	1.00



**9.2.8 Results overview of LTE Band VII**

Test Position of Head	Test channel /Freq.(MHz)	Test Mode	SAR Value (W/kg)		Power Drift (%)	Conducted Power (dBm)	Tune-up Limit (dBm)	Scaled SAR <sub>1-g</sub> (W/kg)	Scalig Factor
			1-g	10-g					
Left Head Touched	21100/2535	20M QPSK 1RB#0	0.289	0.149	0.980	22.700	23.000	0.310	1.07
Left Head Tilted 15°	21100/2535	20M QPSK 1RB#0	0.194	0.100	-0.320	22.700	23.000	0.208	1.07
Right Head Touched	21100/2535	20M QPSK 1RB#0	0.334	0.166	-2.720	22.700	23.000	<b>0.358</b>	1.07
Right Head Tilted 15°	21100/2535	20M QPSK 1RB#0	0.257	0.129	1.440	22.700	23.000	0.275	1.07
Left Head Touched	21100/2535	20M QPSK 50RB#0	0.227	0.117	1.350	22.960	23.000	0.229	1.00
Left Head Tilted 15°	21100/2535	20M QPSK 50RB#0	0.149	0.076	-0.030	22.960	23.000	0.150	1.00
Right Head Touched	21100/2535	20M QPSK 50RB#0	0.331	0.160	2.920	22.960	23.000	0.334	1.00
Right Head Tilted 15°	21100/2535	20M QPSK 50RB#0	0.097	0.047	1.260	22.960	23.000	0.098	1.00
Test Position of Body with 10mm	Test channel /Freq.(MHz)	Test Mode	SAR Value (W/kg)		Power Drift (%)	Conducted Power (dBm)	Tune-up Limit (dBm)	Scaled SAR <sub>1-g</sub> (W/kg)	Scalig Factor
			1-g	10-g					
Towards Phantom	21100/2535	20M QPSK 1RB#0	0.679	0.401	-0.530	22.700	23.000	<b>0.735</b>	1.07
Towards Ground	21100/2535	20M QPSK 1RB#0	0.499	0.243	1.730	22.700	23.000	0.535	1.07
Towards Phantom	21100/2535	20M QPSK 50RB#0	0.614	0.315	-0.580	22.960	23.000	0.620	1.00
Towards Ground	21100/2535	20M QPSK 50RB#0	0.459	-1.420	-1.420	22.960	23.000	0.463	1.00
SAR Results for Hotspot Exposure Condition									
Front side	21100/2535	20M QPSK 1RB#0	0.641	0.118	0.270	22.700	23.000	0.658	1.07
Rear side	21100/2535	20M QPSK 1RB#0	0.459	0.125	-0.710	22.700	23.000	0.478	1.07
Bottom side	21100/2535	20M QPSK 1RB#0	0.363	0.179	-0.770	22.700	23.000	0.389	1.07
Right side	21100/2535	20M QPSK 1RB#0	0.349	0.026	4.720	22.700	23.000	0.353	1.07
Front side	21100/2535	20M QPSK 50RB#0	0.741	0.118	-0.700	22.960	23.000	<b>0.743</b>	1.00
Rear side	21100/2535	20M QPSK 50RB#0	0.559	0.126	-0.860	22.960	23.000	0.561	1.00
Bottom side	21100/2535	20M QPSK 50RB#0	0.360	0.177	-0.480	22.960	23.000	0.363	1.00
Right side	21100/2535	20M QPSK 50RB#0	0.355	0.030	1.650	22.960	23.000	0.356	1.00

**9.2.9 Results overview of Wi-Fi 2.4G**

Test Position of Head	Test channel /Freq.(MHz)	Test Mode	SAR Value (W/kg)		Power Drift (%)	Conducted Power (dBm)	Tune-up Limit (dBm)	Scaled SAR <sub>1-g</sub> (W/kg)	Scaling Factor
			1-g	10-g					
Left Head Touched	6/2437	802.11b	0.175	0.091	0.570	16.010	15.500	0.156	0.889
Left Head Tilted 15°	6/2437	802.11b	0.090	0.048	-0.070	16.010	15.500	0.080	0.889
Right Head Touched	6/2437	802.11b	0.269	0.131	2.080	16.010	15.500	<b>0.239</b>	0.889
Right Head Tilted 15°	6/2437	802.11b	0.080	0.043	0.050	16.010	15.500	0.071	0.889
Test Position of Body with 10mm	Test channel /Freq.(MHz)	Test Mode	SAR Value (W/kg)		Power Drift (%)	Conducted Power (dBm)	Tune-up Limit (dBm)	Scaled SAR <sub>1-g</sub> (W/kg)	Scaling Factor
			1-g	10-g					
Towards Phantom	6/2437	802.11b	0.244	0.127	-2.400	16.010	15.500	0.217	0.889
Towards Ground	6/2437	802.11b	0.399	0.191	0.210	16.010	15.500	<b>0.355</b>	0.889
SAR Results for Hotspot Exposure Condition									
Front Side	6/2437	802.11b	0.287	0.147	-1.170	16.010	15.500	0.255	0.889
Rear Side	6/2437	802.11b	0.496	0.237	1.640	16.010	15.500	<b>0.441</b>	0.889
Left Side	6/2437	802.11b	0.069	0.036	-1.390	16.010	15.500	0.061	0.889
Top Side	6/2437	802.11b	0.250	0.129	-0.840	16.010	15.500	0.222	0.889

## 9.2.10 Results overview of Wi-Fi 5G

Test Position of Head	Test channel /Freq.(MHz)	Test Mode	SAR Value (W/kg)		Power Drift (%)	Conducted Power (dBm)	Tune-up Limit (dBm)	Scaled SAR <sub>1-g</sub> (W/kg)	Scaling Factor
			1-g	10-g					
<b>5.2G U-NII-1 band (802.11a)</b>									
Left Head Touched	36/5180	802.11a	0.144	0.083	0.820	15.61	15.00	<b>0.125</b>	0.869
Left Head Tilted 15°	36/5180	802.11a	0.043	0.026	0.000	15.61	15.00	0.037	0.869
Right Head Touched	36/5180	802.11a	0.112	0.075	0.130	15.61	15.00	0.097	0.869
Right Head Tilted 15°	36/5180	802.11a	<0.001	<0.001	0.000	15.61	15.00	0.000	0.869
<b>5.3G U-NII-2A Band (802.11a)</b>									
Left Head Touched	64/5320	802.11a	0.147	0.071	0.350	15.35	15.00	<b>0.136</b>	0.923
Left Head Tilted 15°	64/5320	802.11a	0.031	0.023	0.770	15.35	15.00	0.029	0.923
Right Head Touched	64/5320	802.11a	0.095	0.074	0.460	15.35	15.00	0.088	0.923
Right Head Tilted 15°	64/5320	802.11a	<0.001	<0.001	0.000	15.35	15.00	0.000	0.923
<b>5.8G U-NII-3 Band (802.11a)</b>									
Left Head Touched	165/5825	802.11a	0.125	0.081	0.000	15.65	15.00	<b>0.108</b>	0.861
Left Head Tilted 15°	165/5825	802.11a	0.016	0.007	0.000	15.65	15.00	0.014	0.861
Right Head Touched	165/5825	802.11a	0.118	0.081	0.330	15.65	15.00	0.102	0.861
Right Head Tilted 15°	165/5825	802.11a	<0.001	<0.001	0.000	15.65	15.00	0.000	0.861
Test Position of Body with 10mm	Test channel /Freq.(MHz)	Test Mode	SAR Value (W/kg)		Power Drift (%)	Conducted Power (dBm)	Tune-up Limit (dBm)	Scaled SAR <sub>1-g</sub> (W/kg)	Scaling Factor
			1-g	10-g					
<b>5.2G U-NII-1 band (802.11a)</b>									
Towards Phantom	36/5180	802.11a	0.187	0.134	0.460	15.61	15.00	0.162	0.869
Towards Ground	36/5180	802.11a	0.169	0.114	0.840	15.61	15.00	0.147	0.869
<b>5.3G U-NII-2A Band (802.11a)</b>									
Towards Phantom	64/5320	802.11a	0.163	0.124	0.710	15.32	15.00	0.151	0.929
Towards Ground	64/5320	802.11a	0.181	0.132	1.250	15.32	15.00	<b>0.168</b>	0.929
<b>5.8G U-NII-3 Band (802.11a)</b>									
Towards Phantom	165/5825	802.11a	0.135	0.131	0.820	15.65	15.00	<b>0.116</b>	0.861
Towards Ground	165/5825	802.11a	0.126	0.130	0.540	15.65	15.00	0.108	0.861

**SAR Results for Hotspot Exposure Condition****5.2G U-NII-1 band (802.11a)**

Front Side	36/5180	802.11a	0.171	0.124	0.630	15.61	15.00	<b>0.149</b>	0.869
Rear Side	36/5180	802.11a	0.118	0.100	0.000	15.61	15.00	0.103	0.869
Right Side	36/5180	802.11a	0.134	0.117	0.870	15.61	15.00	0.116	0.869
Top Side	36/5180	802.11a	0.164	0.151	1.250	15.61	15.00	0.143	0.869

**5.8G U-NII-3 Band (802.11a)**

Front Side	165/5825	802.11a	0.187	0.152	0.360	15.65	15.00	<b>0.161</b>	0.861
Rear Side	165/5825	802.11a	0.164	0.139	0.570	15.65	15.00	0.141	0.861
Left Side	165/5825	802.11a	0.135	0.125	2.340	15.65	15.00	0.116	0.861
Top Side	165/5825	802.11a	0.172	0.158	0.260	15.65	15.00	0.148	0.861

### 10 Multiple Transmitter Information

The SAR measurement positions of each side are as below:



< Rear Side >

Mode	Front Side	Rear Side	Left Side	Right Side	Top Side	Bottom Side
2G/3G/4G Antenna	Yes	Yes	No	Yes	No	Yes
Wi-Fi/BT Antenna	Yes	Yes	Yes	No	Yes	No

1) Per KDB941225 D06v01r01, the DUT Dimension is bigger than 9 cm x 5 cm, so 10mm is chosen as the test separation distance for Hotspot mode. When the antenna-to-edge distance is greater than 2.5cm, such position does not need to be tested.

### 10.1.1 Stand-alone SAR test exclusion

The 1-g and 10-g SAR test exclusion thresholds for 100 MHz to 6 GHz at test separation distances  $\leq$  50 mm are determined by:

$[(\text{max. power of channel, including tune-up tolerance, mW})/(\text{min. test separation distance, mm})] \cdot [\sqrt{f(\text{GHz})}] \leq 3.0$  for 1-g SAR and  $\leq 7.5$  for 10-g extremity SAR, where

- $f(\text{GHz})$  is the RF channel transmit frequency in GHz
- Power and distance are rounded to the nearest mW and mm before calculation
- The result is rounded to one decimal place for comparison

When the minimum test separation distance is  $< 5$  mm, a distance of 5 mm is applied to determine SAR test exclusion.

a) Head position

Mode	Pmax(dBm)	Pmax(mW)	Distance(mm)	f(GHz)	Calculation Result	exclusion Threshold	SAR test exclusion
BT	3.00	2.00	5.00	2.450	0.62	3.00	Yes

Body-Worn position

Mode	Pmax(dBm)	Pmax(mW)	Distance(mm)	f(GHz)	Calculation Result	exclusion Threshold	SAR test exclusion
BT	3.00	2.00	10.00	2.450	0.31	3.00	Yes

When the standalone SAR test exclusion applies to an antenna that transmits simultaneously with other antennas, the standalone SAR must be estimated according to the following to determine simultaneous transmission SAR test exclusion

(max. power of channel, including tune-up tolerance, mW)/(min. test separation distance, mm)]·[√f(GHz)/x] W/kg for test separation distances ≤ 50 mm, where x = 7.5 for 1-g SAR.

When the minimum test separation distance is < 5 mm, a distance of 5 mm is applied to determine SAR test exclusion.

Mode	Position	Pmax(dBm)	Pmax(mW)	Distance(mm)	f(GHz)	X	Estimated SAR(W/Kg)
BT	Head	3	2.00	5.00	2.45	7.50	0.083
BT	Body	3	2.00	10.00	2.45	7.50	0.042

### 10.1.2 Simultaneous Transmission Possibilities

The Simultaneous Transmission Possibilities are as below:

Simultaneous Transmission Possibilities				
Simultaneous Tx Combination	Configuration	Head	Body	Hotspot
1	GSM/GPRS/UMTS +Wi-Fi	YES	YES	YES
2	GSM/GPRS/UMTS +BT	NO	YES	NO

Note: The device does not support simultaneous BT and Wi-Fi ,because the BT and Wi-Fi share the same antenna and can't transmit simultaneously.

### 10.1.3 SAR Summation Scenario

Test Position		Scaled SAR <sub>Max</sub>		$\sum_{1-g}$ SAR	Wi-Fi (5G)	$\sum_{1-g}$ SAR	SPLSP
		GSM850	Wi-Fi (2.4G)				
Head	Left Head Touched	0.559	0.156	0.715	0.136	0.695	NA
	Left Head Tilted 15°	0.284	0.08	0.364	0.037	0.321	NA
	Right Head Touched	0.401	0.239	0.640	0.102	0.503	NA
	Right Head Tilted 15°	0.348	0.071	0.419	0	0.348	NA
Body	Towards Phantom	0.455	0.217	0.672	0.162	0.617	NA
	Towards Ground	0.607	0.355	0.962	0.168	<b>0.775</b>	NA
Hotspot	Front Side	0.474	0.255	0.729	0.161	0.635	NA
	Rear Side	0.59	0.441	<b>1.031</b>	0.141	0.731	NA
	Bottom Side	0.35	0	0.350	0	0.35	NA
	Right Side	0.454	0	0.454	0	0.454	NA

Note: Simultaneous Tx Combination of GSM850 and Wi-Fi

Test Position		Scaled SAR <sub>Max</sub>		$\sum_{1-g}$ SAR	Wi-Fi (5G)	$\sum_{1-g}$ SAR	SPLSP
		GSM1900	Wi-Fi (2.4G)				
Head	Left Head Touched	0.315	0.156	0.471	0.136	0.451	NA
	Left Head Tilted 15°	0.088	0.08	0.168	0.037	0.125	NA
	Right Head Touched	0.224	0.239	0.463	0.102	0.326	NA
	Right Head Tilted 15°	0.114	0.071	0.185	0	0.114	NA
Body	Towards Phantom	0.531	0.217	0.748	0.162	0.693	NA
	Towards Ground	0.749	0.355	1.104	0.168	<b>0.917</b>	NA
Hotspot	Front Side	0.567	0.255	0.822	0.161	0.728	NA
	Rear Side	0.748	0.441	<b>1.189</b>	0.141	0.889	NA
	Bottom Side	0.647	0	0.647	0	0.647	NA
	Right Side	0.128	0	0.128	0	0.128	NA

Note: Simultaneous Tx Combination of GSM1900 and Wi-Fi

Test Position		Scaled SAR <sub>Max</sub>		$\sum_{1-g}$ SAR	Wi-Fi (5G)	$\sum_{1-g}$ SAR	SPLSP
		UMTS Band II	Wi-Fi (2.4G)				
Head	Left Head Touched	0.467	0.156	0.623	0.136	0.603	NA
	Left Head Tilted 15°	0.098	0.08	0.178	0.037	0.135	NA
	Right Head Touched	0.293	0.239	0.532	0.102	0.395	NA
	Right Head Tilted 15°	0.105	0.071	0.176	0	0.105	NA
Body	Towards Phantom	0.676	0.217	0.893	0.162	0.838	NA
	Towards Ground	0.792	0.355	1.147	0.168	0.96	NA
Hotspot	Front Side	0.451	0.255	0.706	0.161	0.612	NA
	Rear Side	0.798	0.441	<b>1.239</b>	0.141	0.939	NA
	Bottom Side	0.407	0	0.407	0	0.407	NA
	Right Side	0.108	0	0.108	0	0.108	NA

Note: Simultaneous Tx Combination of UMTS Band II and Wi-Fi



Test Position		Scaled SAR <sub>Max</sub>		Σ <sub>1-g</sub> SAR	Wi-Fi (5G)	Σ <sub>1-g</sub> SAR	SPLSP
		UMTS Band IV	Wi-Fi (2.4G)				
Head	Left Head Touched	0.575	0.156	0.731	0.136	0.711	NA
	Left Head Tilted 15°	0.123	0.08	0.203	0.037	0.16	NA
	Right Head Touched	0.368	0.239	0.607	0.102	0.47	NA
	Right Head Tilted 15°	0.188	0.071	0.259	0	0.188	NA
Body	Towards Phantom	0.637	0.217	0.854	0.162	0.799	NA
	Towards Ground	0.723	0.355	1.078	0.168	0.891	NA
Hotspot	Front Side	0.657	0.255	0.912	0.161	0.818	NA
	Rear Side	0.757	0.441	<b>1.198</b>	0.141	0.898	NA
	Bottom Side	0.585	0	0.585	0	0.585	NA
	Right Side	0.212	0	0.212	0	0.212	NA

Note: Simultaneous Tx Combination of UMTS Band IV and Wi-Fi

Test Position		Scaled SAR <sub>Max</sub>		Σ <sub>1-g</sub> SAR	Wi-Fi (5G)	Σ <sub>1-g</sub> SAR	SPLSP
		UMTS Band V	Wi-Fi (2.4G)				
Head	Left Head Touched	0.394	0.156	0.550	0.136	0.530	NA
	Left Head Tilted 15°	0.243	0.08	0.323	0.037	0.280	NA
	Right Head Touched	0.251	0.239	0.490	0.102	0.353	NA
	Right Head Tilted 15°	0.184	0.071	0.255	0	0.184	NA
Body	Towards Phantom	0.379	0.217	0.596	0.162	0.541	NA
	Towards Ground	0.469	0.355	0.824	0.168	<b>0.637</b>	NA
Hotspot	Front Side	0.378	0.255	0.633	0.161	0.539	NA
	Rear Side	0.47	0.441	<b>0.911</b>	0.141	0.611	NA
	Bottom Side	0.195	0	0.195	0	0.195	NA
	Right Side	0.287	0	0.287	0	0.287	NA

Note: Simultaneous Tx Combination of UMTS Band V and Wi-Fi

Test Position		Scaled SAR <sub>Max</sub>		Σ <sub>1-g</sub> SAR	Wi-Fi (5G)	Σ <sub>1-g</sub> SAR	SPLSP
		LTE Band II	Wi-Fi (2.4G)				
Head	Left Head Touched	0.339	0.156	0.495	0.136	0.475	NA
	Left Head Tilted 15°	0.057	0.08	0.137	0.037	0.094	NA
	Right Head Touched	0.301	0.239	0.540	0.102	0.403	NA
	Right Head Tilted 15°	0.118	0.071	0.189	0	0.118	NA
Body	Towards Phantom	0.299	0.217	0.516	0.162	0.461	NA
	Towards Ground	0.431	0.355	0.786	0.168	0.599	NA
Hotspot	Front Side	0.379	0.255	0.634	0.161	0.540	NA
	Rear Side	0.545	0.441	<b>0.986</b>	0.141	0.686	NA
	Bottom Side	0.798	0	0.798	0	<b>0.798</b>	NA
	Right Side	0.166	0	0.166	0	0.166	NA

Note: Simultaneous Tx Combination of LTE Band II and Wi-Fi

Test Position		Scaled SAR <sub>Max</sub>		Σ <sub>1-g</sub> SAR	Wi-Fi (5G)	Σ <sub>1-g</sub> SAR	SPLSP
		LTE Band IV	Wi-Fi (2.4G)				
Head	Left Head Touched	0.378	0.156	0.534	0.136	0.514	NA
	Left Head Tilted 15°	0.087	0.08	0.167	0.037	0.124	NA
	Right Head Touched	0.19	0.239	0.429	0.102	0.292	NA
	Right Head Tilted 15°	0.103	0.071	0.174	0	0.103	NA
Body	Towards Phantom	0.631	0.217	0.848	0.162	0.793	NA
	Towards Ground	0.741	0.355	1.096	0.168	<b>0.909</b>	NA
Hotspot	Front Side	0.718	0.255	0.973	0.161	0.879	NA
	Rear Side	0.786	0.441	<b>1.227</b>	0.141	0.927	NA
	Bottom Side	0.726	0	0.726	0	0.726	NA
	Right Side	0.278	0	0.278	0	0.278	NA

Note: Simultaneous Tx Combination of LTE Band IV and Wi-Fi

Test Position		Scaled SAR <sub>Max</sub>		Σ <sub>1-g</sub> SAR	Wi-Fi (5G)	Σ <sub>1-g</sub> SAR	SPLSP
		LTE Band VII	Wi-Fi (2.4G)				
Head	Left Head Touched	0.31	0.156	0.466	0.136	0.446	NA
	Left Head Tilted 15°	0.208	0.08	0.288	0.037	0.245	NA
	Right Head Touched	0.358	0.239	0.597	0.102	0.460	NA
	Right Head Tilted 15°	0.275	0.071	0.346	0	0.275	NA
Body	Towards Phantom	0.735	0.217	0.952	0.162	0.897	NA
	Towards Ground	0.535	0.355	0.890	0.168	0.703	NA
Hotspot	Front Side	0.743	0.255	0.998	0.161	<b>0.904</b>	NA
	Rear Side	0.561	0.441	<b>1.002</b>	0.141	0.702	NA
	Bottom Side	0.389	0	0.389	0	0.389	NA
	Right Side	0.356	0	0.356	0	0.356	NA

Note: Simultaneous Tx Combination of LTE Band VII and Wi-Fi

MAX. ΣSAR<sub>1g</sub> = 1.239W/kg < 1.6 W/kg, so the Simultaneous SAR is not required for Wi-Fi and GSM&UMTS&LTE antenna.

Test Position		Scaled SAR <sub>Max</sub>		$\sum_{1-g}$ SAR	SPLSP
		GSM850	BT		
Head	Left Head Touched	0.559	0.105	0.642	NA
	Left Head Tilted 15°	0.284	0.105	0.367	NA
	Right Head Touched	0.401	0.105	0.484	NA
	Right Head Tilted 15°	0.348	0.105	0.431	NA
Body	Towards Phantom	0.455	0.052	0.497	NA
	Towards Ground	0.607	0.052	<b>0.649</b>	NA

Note: Simultaneous Tx Combination of GSM850 and BT

Test Position		Scaled SAR <sub>Max</sub>		$\sum_{1-g}$ SAR	SPLSP
		GSM1900	BT		
Head	Left Head Touched	0.315	0.105	0.398	NA
	Left Head Tilted 15°	0.088	0.105	0.171	NA
	Right Head Touched	0.224	0.105	0.307	NA
	Right Head Tilted 15°	0.114	0.105	0.197	NA
Body	Towards Phantom	0.531	0.052	0.573	NA
	Towards Ground	0.749	0.052	<b>0.791</b>	NA

Note: Simultaneous Tx Combination of GSM1900 and BT

Test Position		Scaled SAR <sub>Max</sub>		$\sum_{1-g}$ SAR	SPLSP
		UMTS Band II	BT		
Head	Left Head Touched	0.467	0.105	0.550	NA
	Left Head Tilted 15°	0.098	0.105	0.181	NA
	Right Head Touched	0.293	0.105	0.376	NA
	Right Head Tilted 15°	0.105	0.105	0.188	NA
Body	Towards Phantom	0.676	0.052	0.718	NA
	Towards Ground	0.792	0.052	<b>0.834</b>	NA

Note: Simultaneous Tx Combination of UMTS Band II and BT

Test Position		Scaled SAR <sub>Max</sub>		$\sum_{1-g}$ SAR	SPLSP
		UMTS Band IV	BT		
Head	Left Head Touched	0.575	0.105	0.658	NA
	Left Head Tilted 15°	0.123	0.105	0.206	NA
	Right Head Touched	0.368	0.105	0.451	NA
	Right Head Tilted 15°	0.188	0.105	0.271	NA
Body	Towards Phantom	0.637	0.052	0.679	NA
	Towards Ground	0.723	0.052	<b>0.765</b>	NA

Note: Simultaneous Tx Combination of UMTS Band IV and BT

Test Position		Scaled SAR <sub>Max</sub>		$\sum_{1-g}$ SAR	SPLSP
		UMTS Band V	BT		
Head	Left Head Touched	0.394	0.105	0.477	NA
	Left Head Tilted 15°	0.243	0.105	0.326	NA
	Right Head Touched	0.251	0.105	0.334	NA
	Right Head Tilted 15°	0.184	0.105	0.267	NA
Body	Towards Phantom	0.379	0.052	0.421	NA
	Towards Ground	0.469	0.052	<b>0.511</b>	NA

Note: Simultaneous Tx Combination of UMTS Band V and BT

Test Position		Scaled SAR <sub>Max</sub>		$\sum_{1-g}$ SAR	SPLSP
		LTE Band II	BT		
Head	Left Head Touched	0.339	0.105	0.422	NA
	Left Head Tilted 15°	0.057	0.105	0.140	NA
	Right Head Touched	0.301	0.105	0.384	NA
	Right Head Tilted 15°	0.118	0.105	0.201	NA
Body	Towards Phantom	0.299	0.052	0.341	NA
	Towards Ground	0.431	0.052	<b>0.473</b>	NA

Note: Simultaneous Tx Combination of LTE Band II and BT

Test Position		Scaled SAR <sub>Max</sub>		Σ <sub>1-g</sub> SAR	SPLSP
		LTE Band IV	BT		
Head	Left Head Touched	0.378	0.105	0.461	NA
	Left Head Tilted 15°	0.087	0.105	0.170	NA
	Right Head Touched	0.19	0.105	0.273	NA
	Right Head Tilted 15°	0.103	0.105	0.186	NA
Body	Towards Phantom	0.631	0.052	0.673	NA
	Towards Ground	0.741	0.052	<b>0.783</b>	NA

Note: Simultaneous Tx Combination of LTE Band IV and BT

Test Position		Scaled SAR <sub>Max</sub>		Σ <sub>1-g</sub> SAR	SPLSP
		LTE Band VII	BT		
Head	Left Head Touched	0.31	0.105	0.393	NA
	Left Head Tilted 15°	0.208	0.105	0.291	NA
	Right Head Touched	0.358	0.105	0.441	NA
	Right Head Tilted 15°	0.275	0.105	0.358	NA
Body	Towards Phantom	0.735	0.052	<b>0.777</b>	NA
	Towards Ground	0.535	0.052	0.577	NA

Note: Simultaneous Tx Combination of LTE Band VII and BT

MAX.ΣSAR<sub>1g</sub> = 0.834W/kg < 1.6 W/kg, so the Simultaneous SAR is not required for BT and GSM&UMTS&LTE antenna.

## 11 Measurement uncertainty evaluation

### 11.1 Measurement uncertainty evaluation for SAR test

The following table includes the uncertainty table of the IEEE 1528. The values are determined by Satimo. The breakdown of the individual uncertainties is as follows:

Measurement Uncertainty evaluation for SAR test								
Uncertainty Component	Tol. (±%)	Prob. Dist.	Div.	C <sub>i</sub> (1g)	C <sub>i</sub> (10g)	1g U <sub>i</sub> (±%)	10g U <sub>i</sub> (±%)	V <sub>i</sub>
<b>measurement system</b>								
Probe Calibration	5.8	N	1	1	1	5.8	5.8	∞
Axial Isotropy	3.5	R	$\sqrt{3}$	$(1-C_p)^{1/2}$	$(1-C_p)^{1/2}$	1.43	1.43	∞
Hemispherical Isotropy	5.9	R	$\sqrt{3}$	$\sqrt{C_p}$	$\sqrt{C_p}$	2.41	2.41	∞
Boundary Effect	1	R	$\sqrt{3}$	1	1	0.58	0.58	∞
Linearity	4.7	R	$\sqrt{3}$	1	1	2.71	2.71	∞
system Detection Limits	1	R	$\sqrt{3}$	1	1	0.58	0.58	∞
Modulation response	3	N	1	1	1	3.00	3.00	∞
Readout Electronics	0.5	N	1	1	1	0.50	0.50	∞
Response Time	0	R	$\sqrt{3}$	1	1	0.00	0.00	∞
Integration Time	1.4	R	$\sqrt{3}$	1	1	0.81	0.81	∞
RF Ambient Conditions-Noise	3	R	$\sqrt{3}$	1	1	1.73	1.73	∞
RF Ambient Conditions-Reflections	3	R	$\sqrt{3}$	1	1	1.73	1.73	∞
Probe Positioner Mechanical Tolerance	1.4	R	$\sqrt{3}$	1	1	0.81	0.81	∞
Probe positioning with respect to Phantom Shell	1.4	R	$\sqrt{3}$	1	1	0.81	0.81	∞
Extrapolation, interpolation and Integration Algorithms for Max.SAR Evaluation	2.3	R	$\sqrt{3}$	1	1	1.33	1.33	∞
<b>Test sample Related</b>								
Test Sample Positioning	2.6	N	1	1	1	2.60	2.60	11
Device Holder Uncertainty	3	N	1	1	1	3.00	3.00	7
Output Power Variation-SAR drift measurement	5	R	$\sqrt{3}$	1	1	2.89	2.89	∞
SAR scaling	2	R	$\sqrt{3}$	1	1	1.15	1.15	∞
<b>Phantom and Tissue Parameters</b>								
Phantom Uncertainty (shape and thickness tolerances)	4	R	$\sqrt{3}$	1	1	2.31	2.31	∞
Uncertainty in SAR correction for deviation (in permittivity and conductivity)	2	N	1	1	0.84	2.00	1.68	∞
Liquid conductivity ( meas. )	2.5	N	1	0.64	0.43	1.60	1.08	5
Liquid conductivity (target.)	5	R	$\sqrt{3}$	0.64	0.43	1.85	1.24	5
Liquid Permittivity ( meas. )	2.5	N	1	0.60	0.49	1.50	1.23	∞
Liquid Permittivity (target.)	5	R	$\sqrt{3}$	0.60	0.49	1.73	1.42	∞
<b>Combined Standard Uncertainly</b>		Rss				10.63	10.54	
<b>Expanded Uncertainty{95% CONFIDENCE INTERVAL}</b>		k				21.26	21.08	

## 11.2 Measurement uncertainty evaluation for system check

The following table includes the uncertainty table of the IEEE 1528. The values are determined by Satimo. The breakdown of the individual uncertainties is as follows:

Uncertainty For System Performance Check								
Uncertainty Component	Tol. (±%)	Prob. Dist.	Div.	C <sub>i</sub> 1g	C <sub>i</sub> 10g	1g U <sub>i</sub> (±%)	10g U <sub>i</sub> (±%)	V <sub>i</sub>
<b>measurement system</b>								
Probe Calibration	5.8	N	1	1	1	5.80	5.80	∞
Axial Isotropy	3.5	R	$\sqrt{3}$	$(1-C_p)^{1/2}$	$(1-C_p)^{1/2}$	1.43	1.43	∞
Hemispherical Isotropy	5.9	R	$\sqrt{3}$	$\sqrt{C_p}$	$\sqrt{C_p}$	2.41	2.41	∞
Boundary Effect	1	R	$\sqrt{3}$	1	1	0.58	0.58	∞
Linearity	4.7	R	$\sqrt{3}$	1	1	2.71	2.71	∞
system detection Limits	1	R	$\sqrt{3}$	1	1	0.58	0.58	∞
Modulation response	0	N	1	1	1	0.00	0.00	∞
Readout Electronics	0.5	N	1	1	1	0.50	0.50	∞
Response Time	0	R	$\sqrt{3}$	1	1	0.00	0.00	∞
Integration Time	1.4	R	$\sqrt{3}$	1	1	0.81	0.81	∞
RF ambient Conditions - Noise	3	R	$\sqrt{3}$	1	1	1.73	1.73	∞
RF ambient Conditions – Reflections	3	R	$\sqrt{3}$	1	1	1.73	1.73	∞
Probe positioned Mechanical Tolerance	1.4	R	$\sqrt{3}$	1	1	0.81	0.81	∞
Probe positioning with respect to Phantom Shell	1.4	R	$\sqrt{3}$	1	1	0.81	0.81	∞
Extrapolation, interpolation and integration Algorithms for Max. SAR Evaluation	2.3	R	$\sqrt{3}$	1	1	1.33	1.33	∞
<b>Dipole</b>								
Deviation of experimental source from numerical source	4	N	1	1	1	4.00	4.00	∞
Input power and SAR drift measurement	5	R	$\sqrt{3}$	1	1	2.89	2.89	∞
Dipole axis to liquid Distance	2	R	$\sqrt{3}$	1	1	1.16	1.16	∞
<b>Phantom and Tissue Parameters</b>								
Phantom Uncertainty (shape and thickness tolerances)	4	R	$\sqrt{3}$	1	1	2.31	2.31	∞
Uncertainty in SAR correction for deviation (in permittivity and conductivity)	2	N	1	1	0.84	2.00	1.68	∞
Liquid conductivity (meas.)	2.5	N	1	0.64	0.43	1.60	1.08	5
Liquid conductivity (target.)	5	R	$\sqrt{3}$	0.64	0.43	1.85	1.24	5
Liquid Permittivity (meas.)	2.5	N	1	0.60	0.49	1.50	1.23	∞
Liquid Permittivity (target.)	5	R	$\sqrt{3}$	0.60	0.49	1.73	1.41	∞
<b>Combined Standard Uncertainty</b>		Rss				10.28	9.98	
<b>Expanded Uncertainty (95% Confidence interval)</b>		k				20.57	19.95	

## 12 Test equipment and ancillaries used for tests

To simplify the identification of the test equipment and/or ancillaries which were used, the reporting of the relevant test cases only refer to the test item number as specified in the table below.

	Manufacturer	Device Type	Type(Model)	Serial number	calibration	
					Last Cal.	Due Date
<input checked="" type="checkbox"/>	SATIMO	COMOSAR DOSIMETRIC E FIELD PROBE	SSE5	SN 07/15 EP252	2016-07-25	2017-07-24
<input checked="" type="checkbox"/>	SATIMO	COMOSAR DOSIMETRIC E FIELD PROBE	SSE2	SN 08/16 EPGO292	2016-12-09	2017-12-08
<input type="checkbox"/>	SATIMO	COMOSAR 750 MHz REFERENCE DIPOLE	SID750	SN 14/13 DIP 0G750-234	2016-07-25	2017-07-24
<input checked="" type="checkbox"/>	SATIMO	COMOSAR 835 MHz REFERENCE DIPOLE	SID835	SN 14/13 DIP0G835-235	2016-07-25	2017-07-24
<input checked="" type="checkbox"/>	SATIMO	COMOSAR 900 MHz REFERENCE DIPOLE	SID900	SN 14/13 DIP0G900-231	2016-07-25	2017-07-24
<input checked="" type="checkbox"/>	SATIMO	COMOSAR 1800 MHz REFERENCE DIPOLE	SID1800	SN 14/13 DIP1G800-232	2016-07-25	2017-07-24
<input checked="" type="checkbox"/>	SATIMO	COMOSAR 1900 MHz REFERENCE DIPOLE	SID1900	SN 14/13 DIP1G900-236	2016-07-25	2017-07-24
<input checked="" type="checkbox"/>	SATIMO	COMOSAR 2000 MHz REFERENCE DIPOLE	SID2000	SN 14/13 DIP2G000-237	2016-07-25	2017-07-24
<input checked="" type="checkbox"/>	SATIMO	COMOSAR 2450 MHz REFERENCE DIPOLE	SID2450	SN 14/13 DIP2G450-238	2016-07-25	2017-07-24
<input checked="" type="checkbox"/>	SATIMO	COMOSAR 2600 MHz REFERENCE DIPOLE	SID2600	SN 28/14 DIP2G600-327	2016-07-25	2017-07-24
<input checked="" type="checkbox"/>	SATIMO	Software	OPENSAR	N/A	N/A	N/A
<input checked="" type="checkbox"/>	SATIMO	Phantom	COMOSAR IEEE SAM PHANTOM	SN 14/13 SAM99	N/A	N/A
<input checked="" type="checkbox"/>	R & S	Universal Radio Communication Tester	CMU 200	117528	2016-08-19	2017-08-18
<input checked="" type="checkbox"/>	HP	Network Analyser	8753D	3410A08889	2016-08-19	2017-08-18
<input checked="" type="checkbox"/>	HP	Signal Generator	E4421B	GB39340770	2016-08-19	2017-08-18
<input checked="" type="checkbox"/>	Keithley	Multimeter	Keithley 2000	4014539	2016-08-19	2017-08-18
<input checked="" type="checkbox"/>	SATIMO	Amplifier	Power Amplifier	MODU-023-A- 0004	2016-10-13	2017-10-12
<input checked="" type="checkbox"/>	Agilent	Power Meter	E4418B	GB43312909	2016-10-13	2017-10-12
<input checked="" type="checkbox"/>	Agilent	Power Meter Sensor	E4412A	MY41500046	2016-10-13	2017-10-12
<input checked="" type="checkbox"/>	Agilent	Power Meter	E4417A	GB41291826	2016-10-13	2017-10-12
<input checked="" type="checkbox"/>	Agilent	Power Meter Sensor	8481H	MY41091215	2016-10-13	2017-10-12
<input checked="" type="checkbox"/>	SATIMO	DAE	SUPR72	SN 42/13	2016-07-25	2017-07-24



**Annex A: System performance verification**

(Please See the SAR Measurement Plots of annex A.)

**Annex B: Measurement results**

(Please See the SAR Measurement Plots of annex B.)

**Annex C: Calibration reports**

(Please See the Calibration reports of annex C.)

**Annex D: Photo documentation**

Photo 1: Measurement System OPENSAR



Photo 2: Front view



Photo 3: Rear View



Photo 4: Left Head Touched

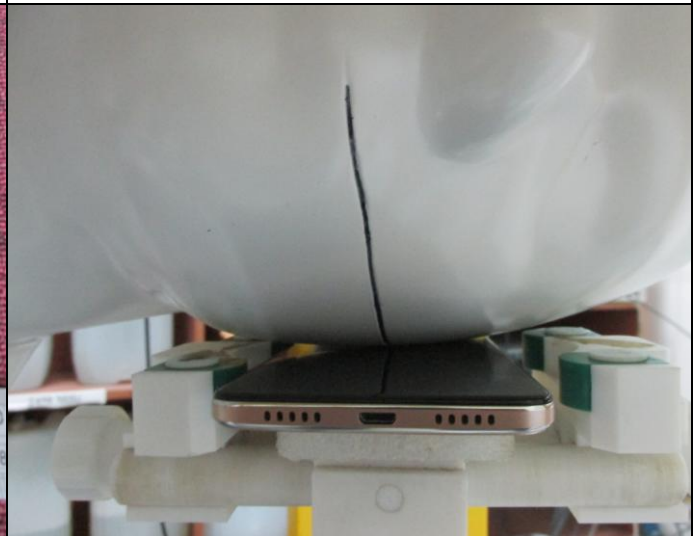
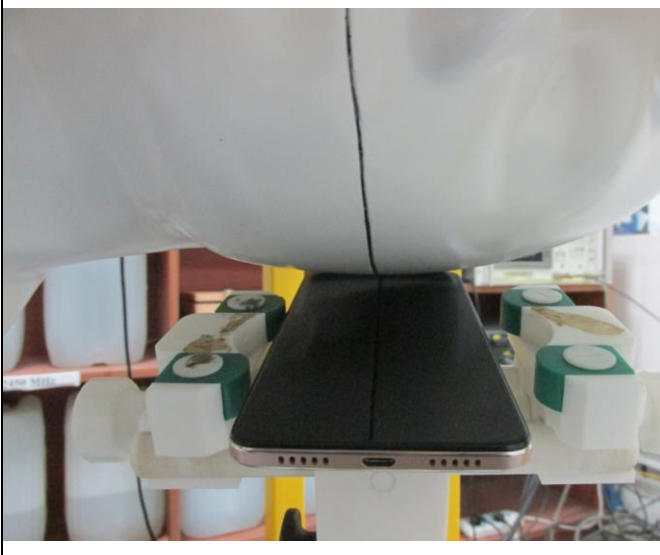
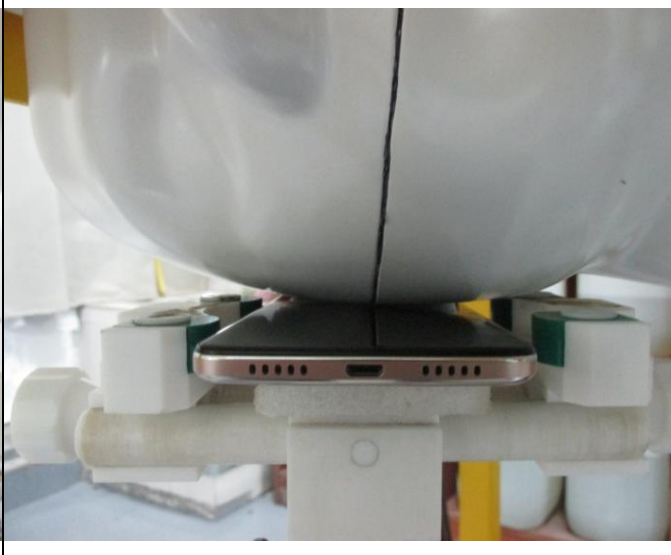
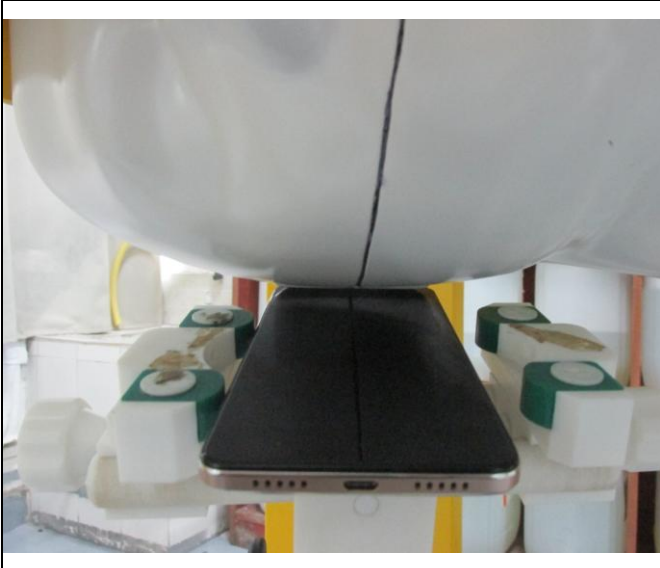



Photo 5: Left Head Tilted 15°	Photo 6: Right Head Touched
 A photograph showing a white anthropomorphic head model tilted to the left. A black smartphone is positioned horizontally below the chin, resting on a white support structure. The background consists of a laboratory setting with various white and green containers on shelves.	 A photograph showing the same white head model tilted to the right. The black smartphone is positioned horizontally below the chin, touching the right side of the head. The support structure and background are consistent with Photo 5.
Photo 7: Right Head Tilted 15°	Photo 8: Towards Phantom 10mm
 A photograph showing the white head model tilted to the right. The black smartphone is positioned horizontally below the chin, resting on the white support structure. The background is the same laboratory setting.	 A close-up photograph of the white head model's chin area. A black smartphone is positioned horizontally, with a red double-headed arrow indicating a 10mm distance between the phone and the chin. A black circular object is visible on the right side of the support structure. The background shows laboratory equipment and shelves with white containers.

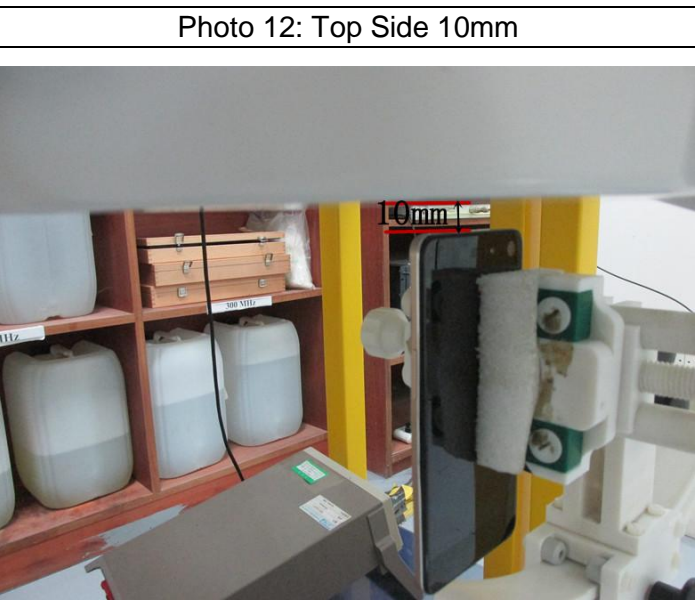
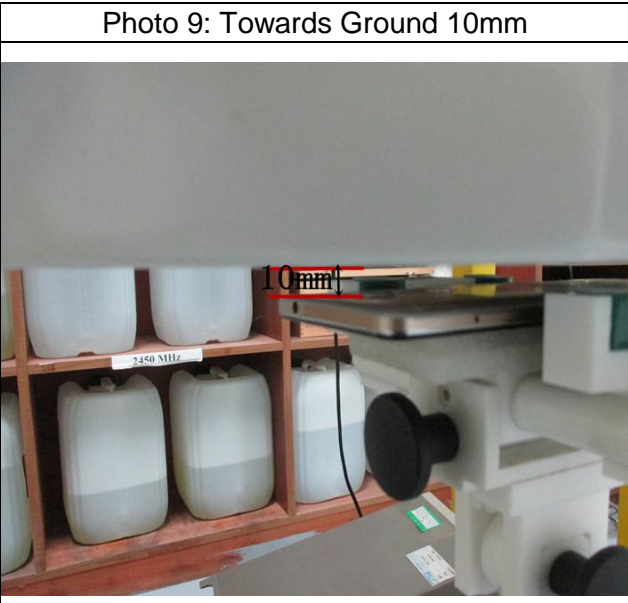




Photo 13: Bottom Side 10mm



Photo 14: 850MHz Liquid Depth  $\geq 15.0\text{cm}$

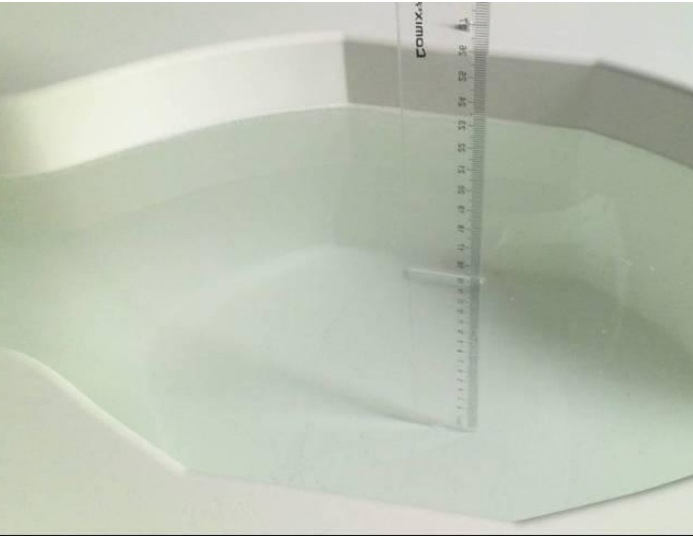


Photo 15: 1800~1900MHz Liquid Depth  $\geq 15.0\text{cm}$



Photo 16: 2450MHz Liquid Depth  $\geq 15.0\text{cm}$



**End**