

ezlo

VistaCam 1103

Quick Start Guide

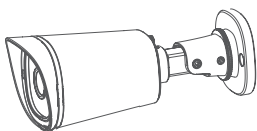


Quad HD Outdoor Wi-Fi Camera

Contents

What's in the Box	2
Camera Connections	3
Before You Get Started.....	3
Choosing Wi-Fi or Ethernet	4
Initial Setup.....	4
Before You Mount Your Camera	5
Testing Wi-Fi Strength	6
Mounting Your Camera.....	6
Making Connections	8
Using Your Camera	8

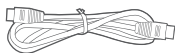
What's in the Box



Camera



Power Adapter

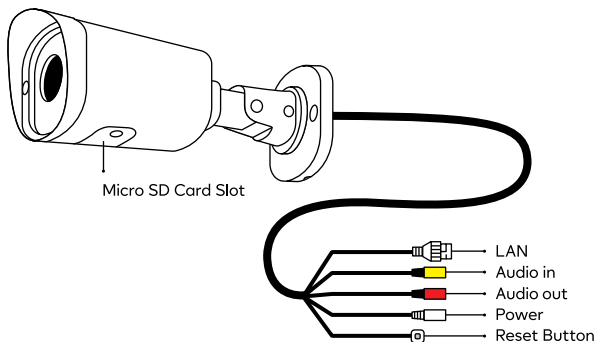


Ethernet Cable



Wi-Fi Antenna

Camera Connections



1. Before You Get Started...

- Wi-Fi and a broadband internet connection.
- An Ezlo Plus or Ezlo Secure Smart Hub.
- An iOS or Android phone or tablet with the Vera Mobile app installed (visit ezlo.com/app to download).
- A power outlet near the desired camera location.
- A drill and Phillips screwdriver bit.

2. Choosing Wi-Fi or Ethernet

For maximum flexibility, the VistaCam 1103 can be connected to your router wirelessly (Wi-Fi) or by ethernet cable.

Which should you choose?

Wi-Fi

Wireless connections is the most convenient connection method, as there's no need to run additional wiring to the camera's location. However, in homes that have poor Wi-Fi coverage or if you experience camera connection issues, Wi-Fi is not recommended.

Ethernet

Using a direct ethernet connection between the camera and your router is the most reliable method of connection. This is recommended for camera locations that may be far away from your Wi-Fi router.

3. Initial Setup

It's best to perform the initial setup of the camera near your home router.

1. Attach the Wi-Fi Antenna to the back of the camera by screwing it in tightly (for ethernet connections, connect your camera to your router with the included ethernet cable).
2. Open the Vera Mobile app on your smart phone or tablet (visit ezlo.com/app to download).
3. From the Main Menu, select **Devices**, then tap the + symbol in the top right corner.
4. Select **Cameras**, then **VistaCam 1103**.

5. Follow the instructions in the Device Pairing Wizard to complete setting up your camera.
6. Once you have finished with the Device Pairing Wizard, you can find and view your camera's video feed by selecting **Cameras** from the Main Menu.
7. Now you can disconnect the power (and ethernet cable, if applicable) and mount your camera in your desired location (see next page).

Problems? Our technical support team, is available 7 days a week, 6am-10pm (CDT)

Email: support@ezlo.com

Phone: +1 (866) 966-2272

4. Before You Mount Your Camera

When choosing a location to mount your camera, it's important to keep the following in mind:

- Avoid aiming the camera in a direction that would point directly into the sun (adjustments to this can easily be made after mounting).
- Point your camera at the center point of the area you wish to provide video coverage and be aware of any trees, shrubs, or other objects that could block the camera's view.
- If you've paired your camera using a Wi-Fi connection, ensure your install location has good Wi-Fi signal coverage.

5. Testing Wi-Fi Strength at the camera location

1. Bring your smartphone near your preferred camera location.
2. Make sure your phone is connected to your home Wi-Fi network.
3. With your phone, visit a website or stream an online video.
4. If websites and videos load and play quickly, then the location most likely has acceptable Wi-Fi coverage.

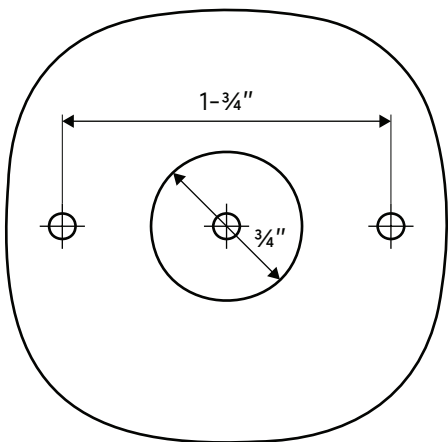
6. Mounting Your Camera

Using an appropriately-sized bit, drill two pilot holes 1- $\frac{3}{4}$ " apart. You can also use the template on the next page to mark your pilot hole locations.

Using a $\frac{3}{4}$ " bit, drill a wiring access hole centered between your two pilot holes (to accommodate the camera's wire connections through the wall).

After drilling these holes, insert the camera's wires through the wiring access hole and secure the camera to the wall with the two provided screws.

Note: Installations into softer wall materials will require use of the included plastic wall anchors.



7. Make Your Connections

Make the following connections behind the wall where you mounted the camera:

- Plug the camera's power adapter into a wall outlet or extension cord, then connect it to the camera's power connector.
- For ethernet installations, connect an ethernet cable directly between the camera and internet router.

8. Using Your Camera

After finishing the previous step, wait two minutes for the camera to power up and reconnect to the network.

Now you can test the camera's functionality by opening the Vera Mobile app, selecting "Devices", then selecting the camera that you've named during the wizard.

FCC Statement :

This equipment has been tested and found to comply with the limits for a Class B digital device, pursuant to part 15 of the FCC Rules. These limits are designed to provide reasonable protection against harmful interference in a residential installation. This equipment generates, uses and can radiate radio frequency energy and, if not installed and used in accordance with the instructions, may cause harmful interference to radio communications. However, there is no guarantee that interference will not occur in a particular installation. If this equipment does cause harmful interference to radio or television reception, which can be determined by turning the equipment off and on, the user is encouraged to try to correct the interference by one or more of the following measures:

- Reorient or relocate the receiving antenna.
- Increase the separation between the equipment and receiver.
- Connect the equipment into an outlet on a circuit different from that to which the receiver is connected.
- Consult the dealer or an experienced radio/TV technician for help.

Caution: Any changes or modifications to this device not explicitly approved by manufacturer could void your authority to operate this equipment.

This device complies with part 15 of the FCC Rules. Operation is subject to the following two conditions: (1) This device may not cause harmful interference, and (2) this device must accept any interference received, including interference that may cause undesired operation.

RF Exposure Information

This equipment complies with FCC radiation exposure limits set forth for an uncontrolled environment. This equipment should be installed and operated with minimum distance 20cm between the radiator and your body.

FCC Statement

This equipment has been tested and found to comply with the limits for a Class B digital device, pursuant to part 15 of the FCC Rules. These limits are designed to provide reasonable protection against harmful interference in a residential installation. This equipment generates, uses and can radiate radio frequency energy and, if not installed and used in accordance with the instructions, may cause harmful interference to radio communications. However, there is no guarantee that interference will not occur in a particular installation. If this equipment does cause harmful interference to radio or television reception, which can be determined by turning the equipment off and on, the user is encouraged to try to correct the interference by one or more of the following measures:

- Reorient or relocate the receiving antenna.
- Increase the separation between the equipment and receiver.
- Connect the equipment into an outlet on a circuit different from that to which the receiver is connected.
- Consult the dealer or an experienced radio/TV technician for help.

Caution: Any changes or modifications to this device not explicitly approved by manufacturer could void your authority to operate this equipment.

This device complies with part 15 of the FCC Rules. Operation is subject to the following two conditions: (1) This device may not cause harmful interference, and (2) this device must accept any interference received, including interference that may cause undesired operation.

RF Exposure Information

This equipment complies with FCC radiation exposure limits set forth for an uncontrolled environment. This equipment should be installed and operated with minimum distance 20cm between the radiator and your body.

ISED Statement

English: This device contains licence-exempt transmitter(s)/receiver(s) that comply with Innovation, Science and Economic Development Canada's licence-exempt RSS(s). Operation is subject to the following two conditions:

- (1) This device may not cause interference.
- (2) This device must accept any interference, including interference that may cause undesired operation of the device.

The digital apparatus complies with Canadian CAN ICES-3 (B)/NMB-3(B).

French: Cet appareil contient des émetteurs/récepteurs exempts de licence qui sont conformes aux RSS exemptés de licence d'Innovation, Sciences et Développement économique Canada.

L'exploitation est soumise aux deux conditions suivantes :

- (1) Cet appareil ne doit pas provoquer d'interférences.
- (2) Cet appareil doit accepter toute interférence, y compris les interférences susceptibles de provoquer un fonctionnement indésirable de l'appareil.

l'appareil numérique du ciem conforme canadien peut - 3 (b) / nmb - 3 (b).

This device meets the exemption from the routine evaluation limits in section 2.5 of RSS 102 and compliance with RSS 102 RF exposure, users can obtain Canadian information on RF exposure and compliance.

cet appareil est conforme à l'exemption des limites d'évaluation courante dans la section 2.5 du cnr - 102 et conformité avec rss 102 de l'exposition aux rf, les utilisateurs peuvent obtenir des données canadiennes sur l'exposition aux champs rf et la conformité.

This equipment complies with Canada radiation exposure limits set forth for an uncontrolled environment.

Cet équipement est conforme aux limites d'exposition aux rayonnements du Canada établies pour un environnement non contrôlé.

This equipment should be installed and operated with minimum distance 20cm between the radiator & your body.

Cet équipement doit être installé et utilisé à une distance minimale de 20 cm entre le radiateur et votre corps.