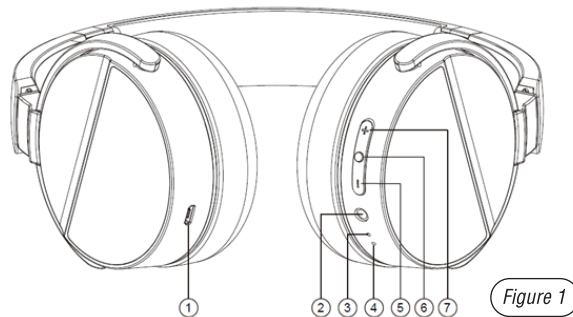


LUNATUNE HEADPHONES

USER MANUAL



1. Micro-USB Charging Port
2. 3.5mm AUX Input
3. Microphone
4. LED Indicator
5. *Short Press*: Decrease Volume
Long Press: Previous Track
6. *Short Press*: Play / Pause / Accept Phone Call
Long Press: Power On/Off / Reject Phone Call
Double Short Press: Redial Last Outbound Call
7. *Short Press*: Increase Volume
Long Press: Next Track

PRODUCT SPECS

Dimensions: 7.12" x 7.28" x 3.38"
Wireless Range: 33 ft
Charging Time: Approx. 2 hours
Noise Cancelling: 70% Passive
Playtime: 8+ hours

WHAT'S IN THE BOX?

1. Lunatune Wireless Headphones
2. Micro-USB charging cable
3. AUX Cable

HOW TO WIRELESSLY PAIR TO YOUR MOBILE DEVICE/ MUSIC PLAYER

1. Press and hold down the power button (*Figure 1.6*) for three seconds to turn on/off.
2. Once powered on, you'll hear four ascending tones and the Lunatune will automatically go into wireless pairing mode. During this device scanning mode, you'll see the LED indicator (*Figure 1.4*) flash red and blue.
3. Find and select "Lunatune" in your device's wireless pairing setting.
4. Once the device is successfully connected, you'll hear another tone and the LED indicator should flash blue.
5. To connect to a new device, first turn off the Lunatune. Hold down the power button for 6 seconds until you hear the "power on" sound, then two beeps. The LED indicator lights should now flash red and blue. This means the Lunatune has forgotten the previously paired device and is now scanning for a new device to pair with.

HELPFUL TIPS / SAFETY POINTERS

- Lunatune will automatically turn off if no devices are paired within 13 minutes of turning on.
- If Lunatune doesn't appear on your wireless pairing settings the first time, try again in a less crowded area.
- You will see a red light glow on the LED indicator while the headphones are charging. Once the unit is fully charged, the light will turn off.
- The headphone control buttons will not work if your device is connected via wired AUX cable.
- If the Lunatune has trouble charging or holding charge, try using another universal Micro-USB cable.
- Keep the Lunatune dry, and do not store or use in an extreme hot or cold environment.
- Do not disassemble, modify, or alter this product in any way. Doing so may cause undesirable effects such as electric shock, product malfunction, or fire hazards. Not to mention, it'll void your warranty.
- In case of abnormal behavior, discontinue use.



Origaudio

FCC Statement

This equipment has been tested and found to comply with the limits for a Class B digital device, pursuant to Part 15 of the FCC Rules.

These limits are designed to provide reasonable protection against harmful interference in a residential installation. This equipment generates uses and can radiate radio frequency energy and, if not installed and used in accordance with the instructions, may cause harmful interference to radio communications. However, there is no guarantee that interference will not occur in a particular installation. If this equipment does cause harmful interference to radio or television reception, which can be determined by turning the equipment off and on, the user is encouraged to try to correct the interference by one or more of the following measures:

- Reorient or relocate the receiving antenna.
- Increase the separation between the equipment and receiver.
- Connect the equipment into an outlet on a circuit different from that to which the receiver is connected.
- Consult the dealer or an experienced radio/TV technician for help.

This device complies with part 15 of the FCC Rules. Operation is subject to the following two conditions:(1) This device may not cause harmful interference, and (2) this device must accept any interference received, including interference that may cause undesired operation.

Any Changes or modifications not expressly approved by the party responsible for compliance could void the user's authority to operate the equipment.

The device has been evaluated to meet general RF exposure requirement.The device can be used in portable exposure condition without restriction.