

Kylin M

Quick Start Guide



Camera Installation

—

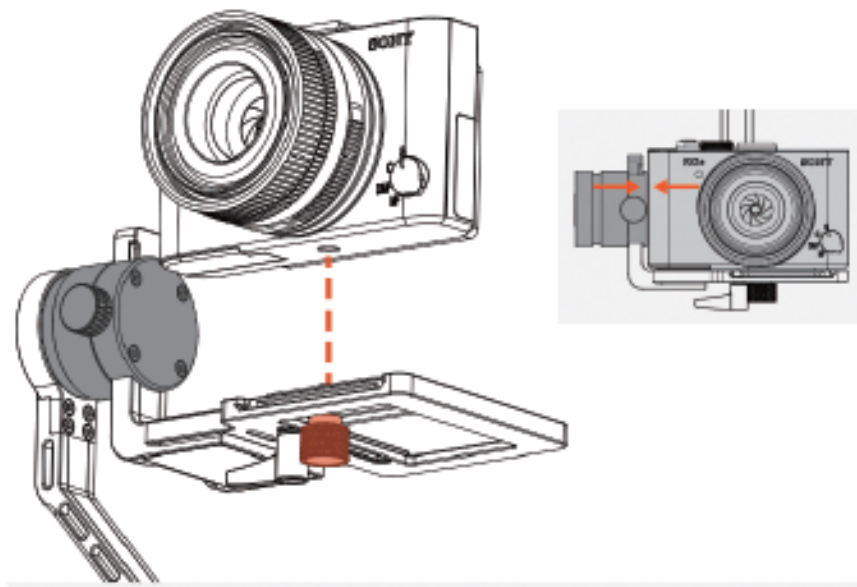
Mount the camera in parallel with the mounting plate, match the 1/4" Threaded Hole at the bottom of the camera with the empty slot on the mounting plate.

—

Move the camera as close as possible to the Tilt Motor.

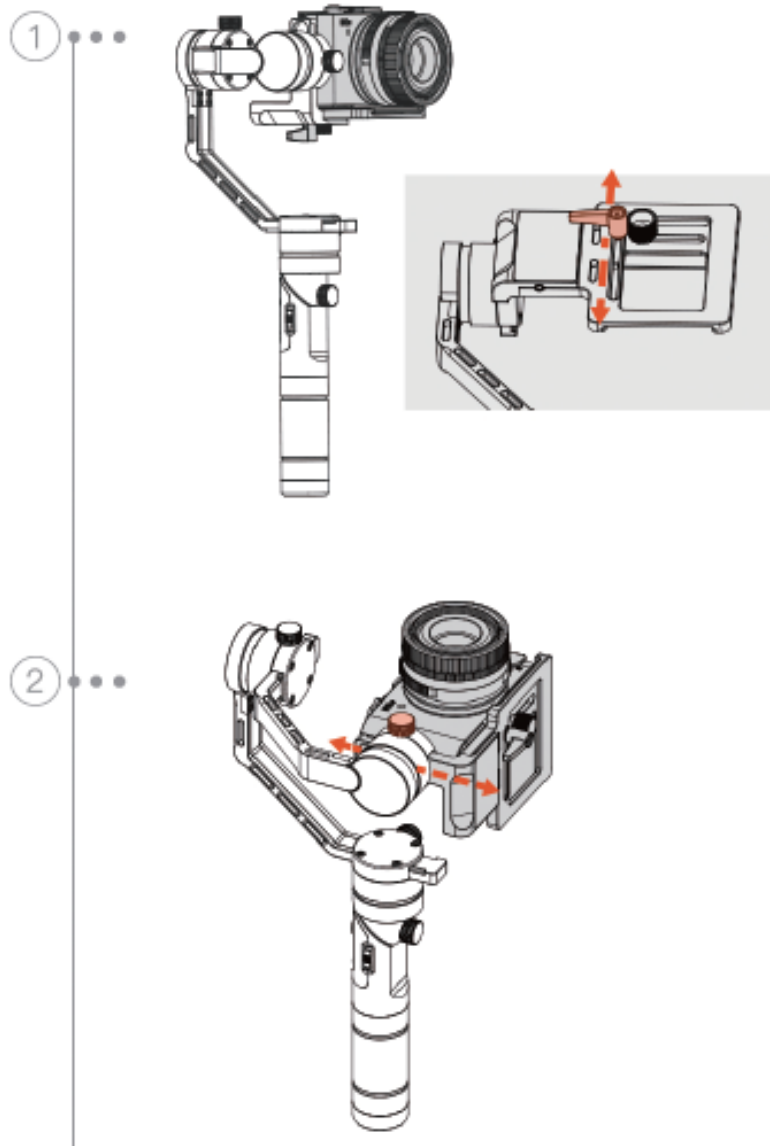
—

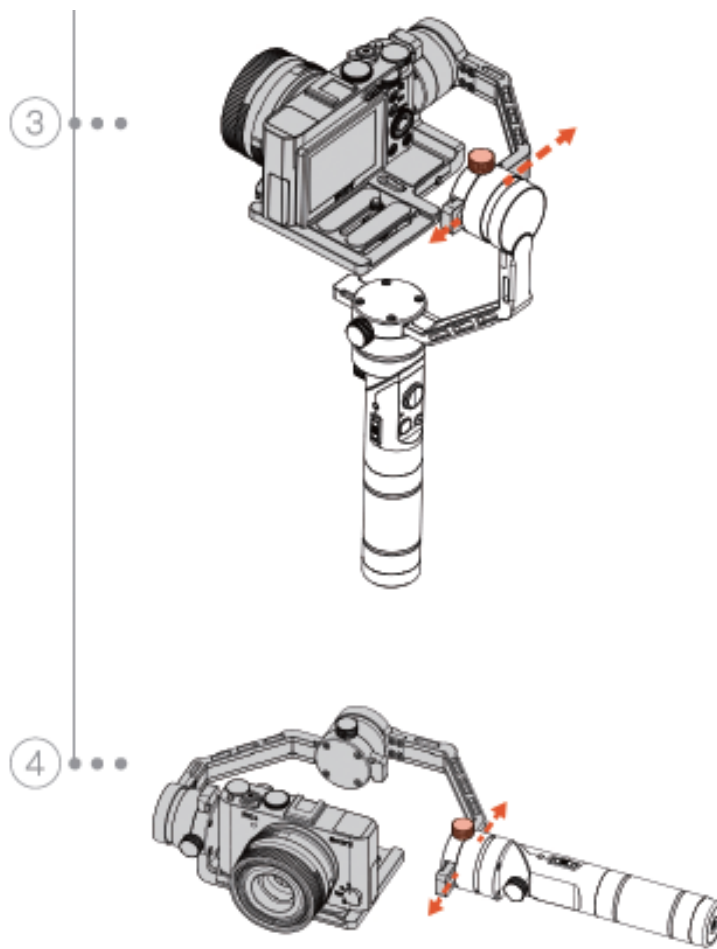
Tighten the camera mounting screw to set the camera position.



Balance Adjustment

Follow the instructions below (1–4), adjust the camera position until all 3 axes are balanced.





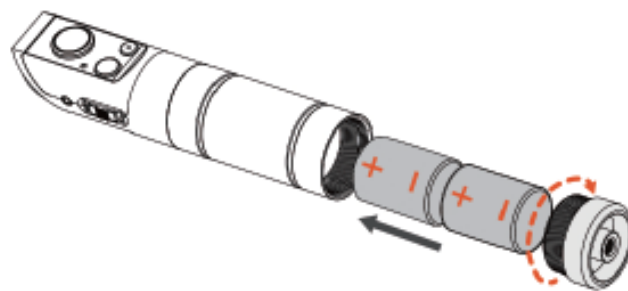
Change Handle Mode

To change the handle mode, loosen the handle screw, hold the handle and pan axis firmly, rotate the handle, and finally tighten the handle screw

Battery Installation

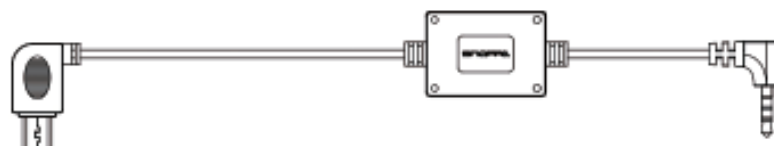
Insert the two batteries in the correct polarity position.

Don't mix with other batteries, otherwise it will damage the batteries and stabilizer.

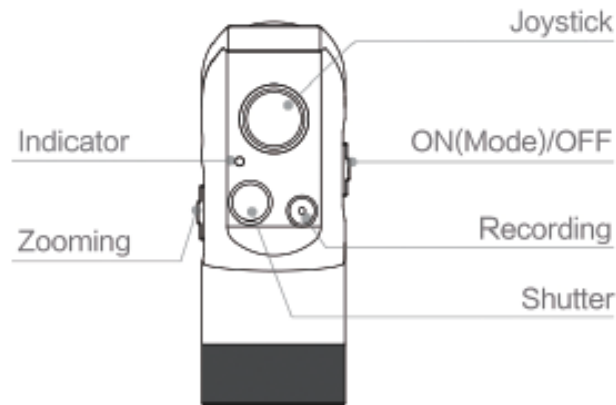


Camera control cable

The cable is used to connect the controller to the camera, it does not support hotswapping. To remove the cable, please first shut off the camera.



Control panel introduction



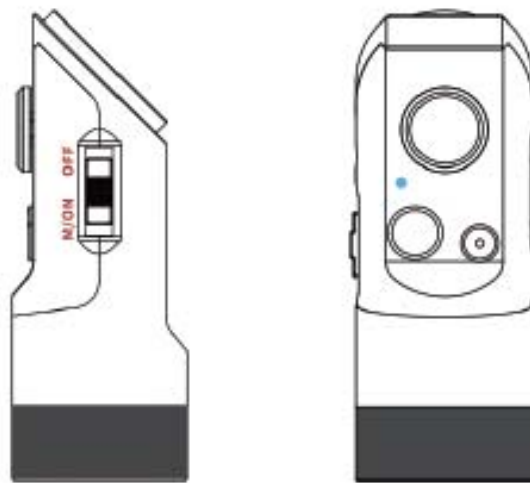
CAUTION: ON(Mode)/OFF – Slide down to turn on, Continue slide down to switch modes

Quick Storage

Balance and calibration only has to be done once for your camera. Once initial setup has been performed on your Kylin you can simply remove your camera from the device when not using the stabilizer. If you want to resume use simply remount your camera and turn the device on (you do not need to rebalance for the same camera).

Product Specification

To active Bluetooth, slide down and hold the power button for 5 seconds until the blue indicator starts blinking.



FCC Warning

This device complies with Part 15 of the FCC Rules. Operation is subject to the following two conditions:

(1) This device may not cause harmful interference, and (2) this device must accept any interference received, including interference that may cause undesired operation.

NOTE 1: This equipment has been tested and found to comply with the limits for a Class B digital device, pursuant to part 15 of the FCC Rules. These limits are designed to provide reasonable protection against harmful interference in a residential installation. This equipment generates uses and can radiate radio frequency energy and, if not installed and used in accordance with the instructions, may cause harmful interference to radio communications. However, there is no guarantee that interference will not occur in a particular installation. If this equipment does cause harmful interference to radio or television reception, which can be determined by turning the equipment off and on, the user is encouraged to try to correct the interference by one or more of the following measures:

- Reorient or relocate the receiving antenna.
- Increase the separation between the equipment and receiver.
- Connect the equipment into an outlet on a circuit different from that to which the receiver is connected.
- Consult the dealer or an experienced radio/TV technician for help.

NOTE 2: Any changes or modifications to this unit not expressly approved by the party responsible for compliance could void the user's authority to operate the equipment.