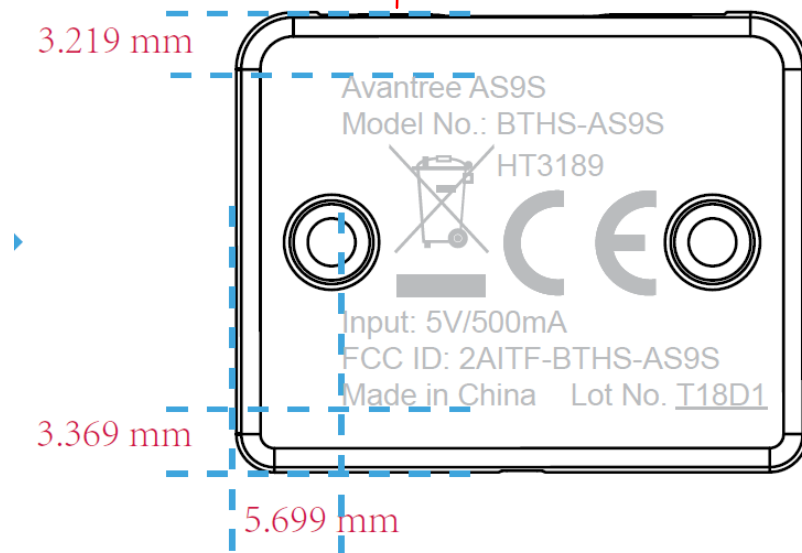


# Label location

FCC ID: 2AITF-BTHS-AS9S





This device complies with Part 15 of the FCC Rules. Operation is subject to the following two conditions: (1) this device may not cause harmful interference, and (2) this device must accept any interference received, including interference that may cause undesired operation.

Size: 15mm \* 25mm