

Honeywell Analytics Asia Pacific Co., Ltd.

Date: October 12th 2016

Wireless Certification Agency and Relevant National Officer

c.c.

UL Verification Services Inc. (formerly UL CCS)

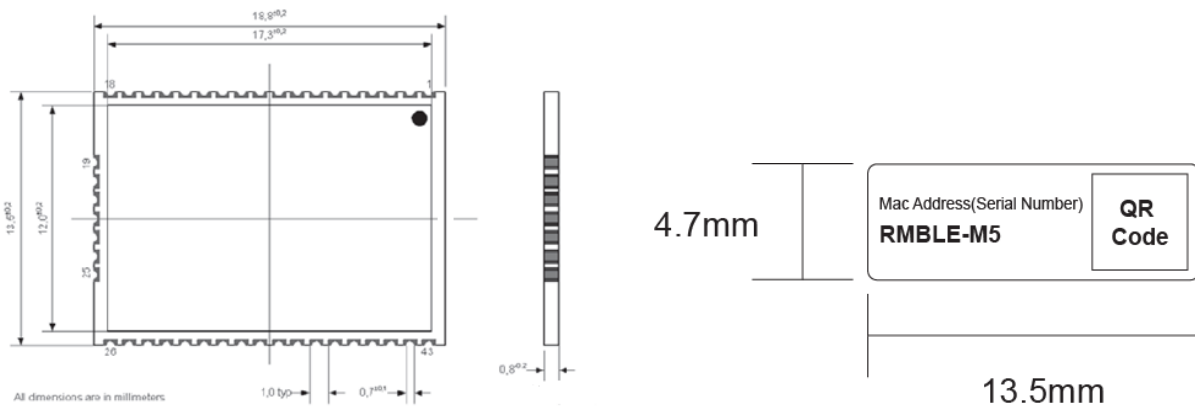
Certification Division

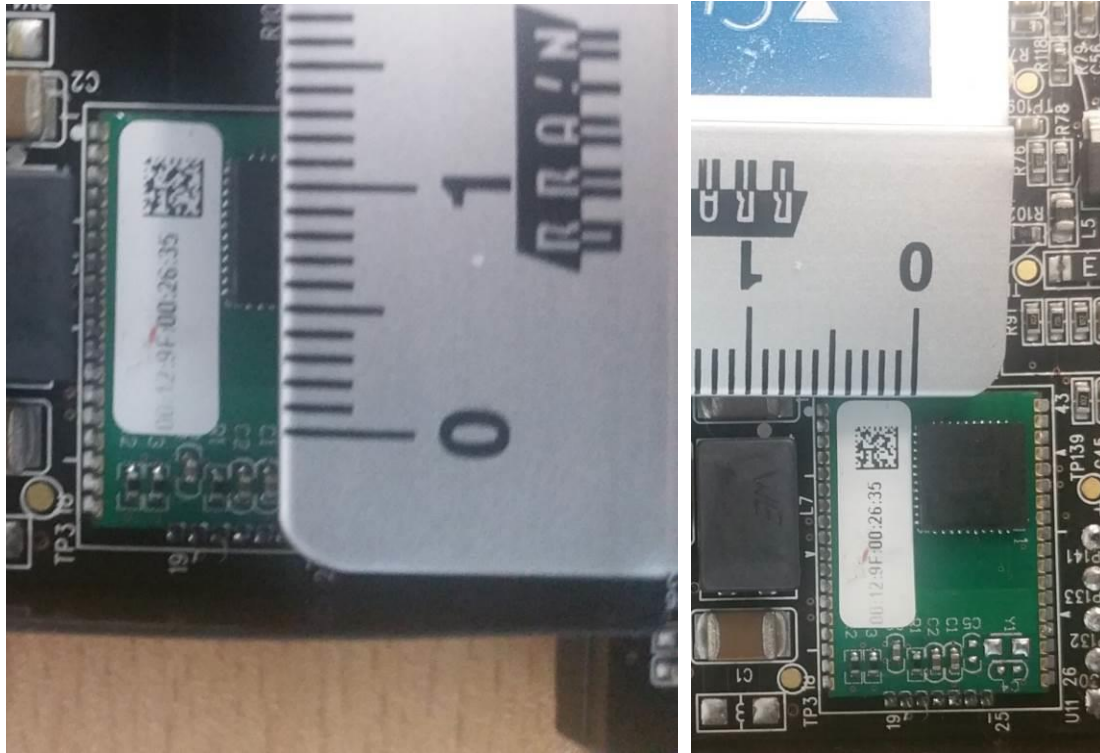
47173 Benicia Street

Fremont, CA 94538, USA

To whom it may concern:

Honeywell Analytics Asia Pacific Co., Ltd. is applying the wireless certificate of Bluetooth Low Energy RF module, whose product name is RMBLE-M5. In this letter, I would like to explain the label of RMBLE-M5. RMBLE-5 is not big enough to have proper label size containing the necessary information printed on the label. The size of RMBLE-M5 is 18.8 X 13.6 X 2.0 mm and the possible label size is only 13.5 X 4.7 mm. In the label, only product name (RMBLE-M5) and serial number (Mac Address with QR Code) will be printed. To print out other necessary information on the label, the font size shall be very small, that is not invisible.





As shown in the above photos, RMBLE-M5 is mounted on the host PCB. RMBLE-M5 label does not have big space so that only Mac address/QR code and product name are printable. There is not enough space to print out FCC and IC ID. Even the small font size of FCC and IC ID can be printable but invisible.

Instead of printing on the label, all necessary information will be described in the user manual:

- 1) FCC/IC ID
- 2) CE Certification Agency ID
- 3) Manufacturer address
- 4) Frequency range
- 5) Maximum Tx Power
- 6) The others

Sincerely Yours,

Chris (Hyunmook) Kim,
Honeywell Analytics Asia Pacific Co., Ltd.
Email: Hyunmook.kim@honeywell.com
Phone: +82-2-6909-0371
Address: 7F SangAm IT Tower, 434 Worldcup Buk-ro, Mapo-gu, Seoul 03922, South Korea