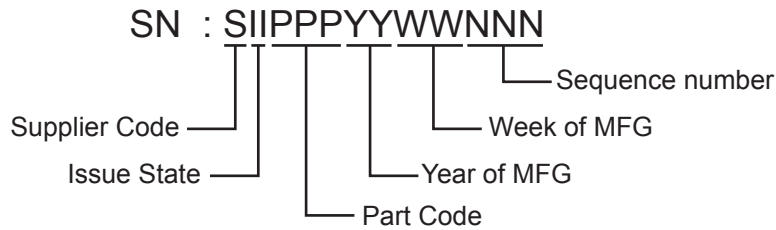


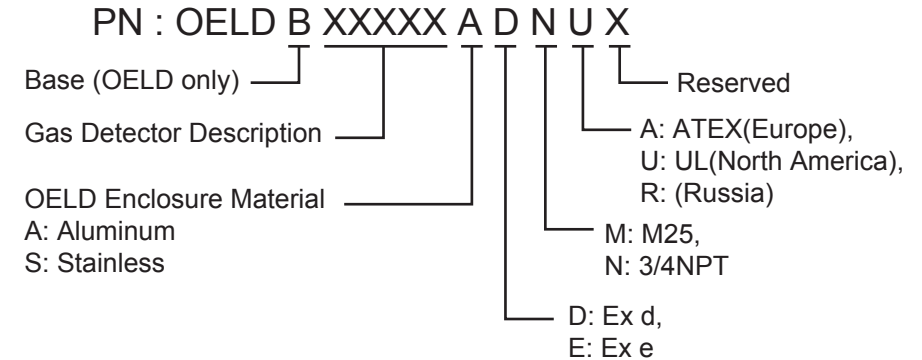
A. SERIAL NUMBER EXAMPLE:



MATERIAL:

- 0.021 [0.53] ± 0.003 [0.07] THICK SS-304 W/MILL FINISH.
- CHEMICALLY-ETCH LEGENDS 0.006/0.008 [0.15/0.2] DP.
- LEGENDS EPOXY-FILLED BLACK UNLESS SPECIFIED OTHERWISE.

B. PART NUMBER EXAMPLE:



THIS ITEM FORMS PART OF A CERTIFIED PRODUCT
NO MODIFICATION PERMITTED WITHOUT
REFERENCE TO CERTIFICATION DEPARTMENT

THIS DRAWING IS CONFIDENTIAL. IT IS THE PROPERTY OF HONEYWELL ANALYTICS LTD AND MUST NOT BE REPRODUCED EITHER WHOLLY OR PARTLY. ALL RIGHTS IN RESPECT OF PATENTS, DESIGNS AND COPYRIGHT ARE RESERVED.

FINISH	REFERENCE PARTNUMBER				SCALE	DRAWING	BEN HUR	23/DEC/15
	3011F1040				NTS	TITLE		
					A	OELD Ex d UL Certification Label_US/CANADA		
					31/MAY/16	ISSUE		
					NEW DRAWING	DATE		
				Jeffery L.	CHANGE			
				APPROVED BY				
							3018E3108 (1)	SHT. 1 OF 1