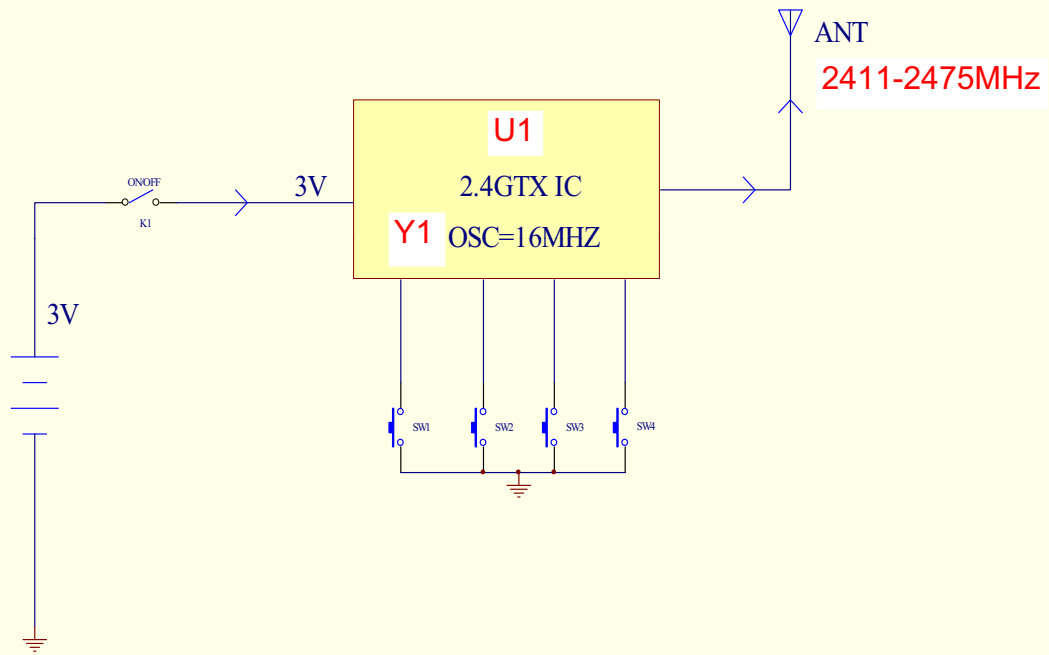


PC17043 TX BLOCK DIAGRAM



Title		
Size	Number	Revision
B		
Date:	19-Jun-2017	Sheet of
File:	PC17043TX.DDB	Drawn By: