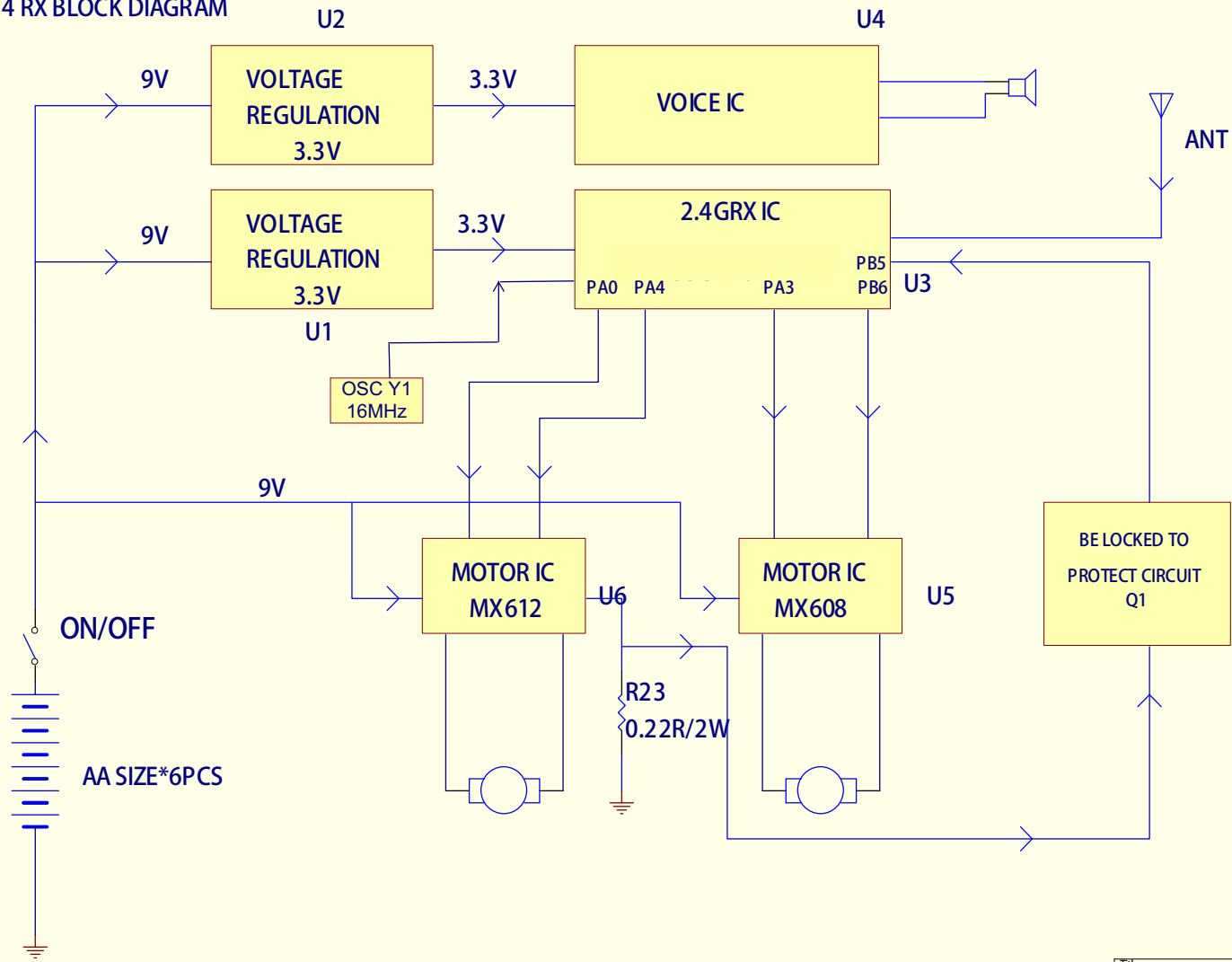


PC17044 RX BLOCK DIAGRAM



Title		
Size	Number	Revision
B		
Date:	18Oct-2017	Sheet of
File:	E:\罗春波文件\瑞泰\PC17043\PC17043.D000v1.byc	