



**SIMMONS**

**DA2012B**  
ADVANCED DRUM AMPLIFIER

OWNER'S MANUAL

[SimmonsDrums.net](http://SimmonsDrums.net)



**SIMMONS**

**DA2012B**

ADVANCED DRUM AMPLIFIER

OWNER'S MANUAL

SimmonsDrums.net

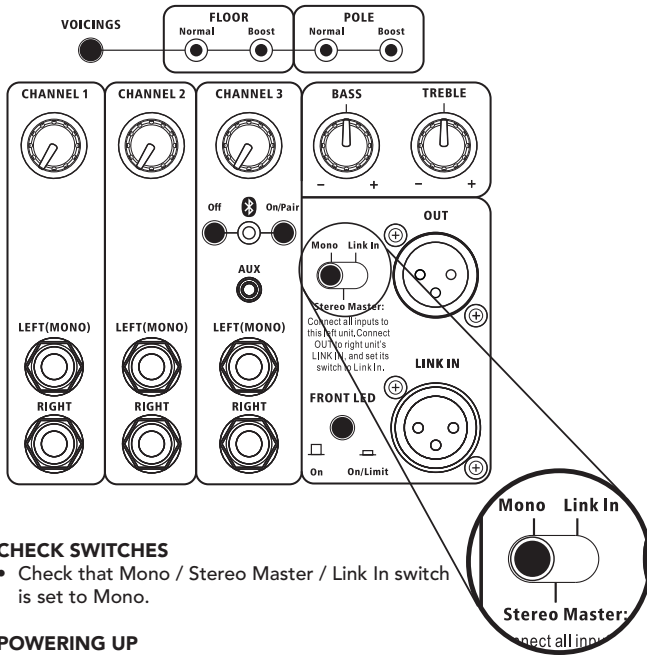
# QUICK START GUIDE

## SETTING UP / HELPFUL TIPS

- Position the DA2012B in the desired location, and ensure the amp is stable.
- Make sure the Power Switch is off.
- Turn Channel 1, 2, and 3 knobs to minimum.
- Turn Bass and Treble to center/straight up.

## MAKING THE CONNECTIONS

- Connect sources to Channel 1, 2 and 3 input jacks as desired. (All these input jacks can be used at once, along with Bluetooth audio input.)



## CHECK SWITCHES

- Check that Mono / Stereo Master / Link In switch is set to Mono.

## POWERING UP

- Power on any devices connected to input jacks.
- Turn up the output volume of all sources.
- Turn Channel 1, 2 and 3 knobs to desired levels.

## FOR FLOOR MONITOR USE

- Press rear panel VOICINGS button to light one of the FLOOR LEDs.

## FOR USE ON POLE OR FREE STANDING VERTICALLY

- Press rear panel VOICINGS button to light one of the POLE LEDs.

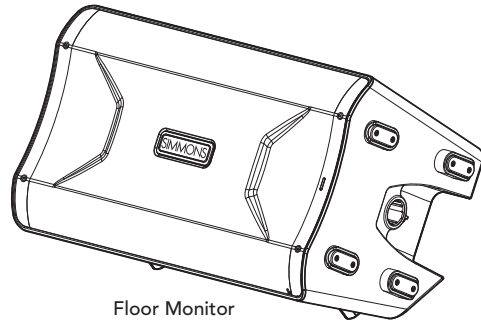
## BLUETOOTH AUDIO INPUT

- From your Bluetooth audio source device, look for DA2012B and select it.
- See next page for Bluetooth Troubleshooting in case of difficulty.

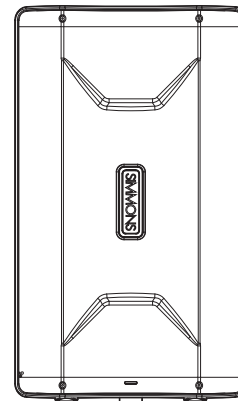
## FRONT LED LIGHT

- Check that rear panel button for FRONT LED is pressed in (On/Limit position)
- When front LED lights red, limiter is being triggered, and Channel 1, 2, and 3 knobs may need to be turned down

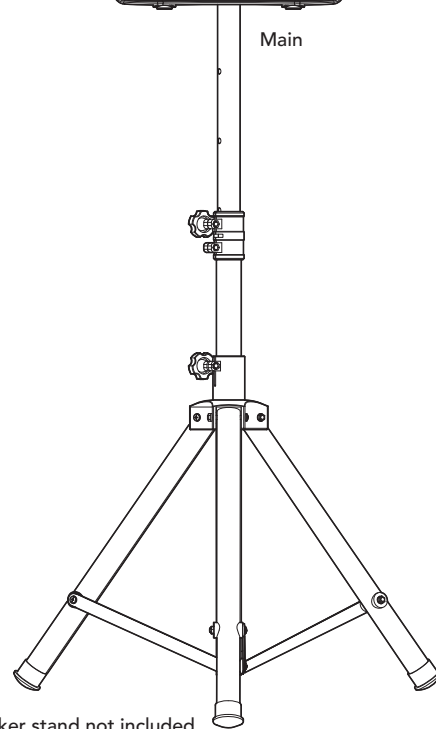
DA2012B can be used as an upward-angled floor monitor, on a pole, or standing vertically on the floor or other stable surface.



Floor Monitor

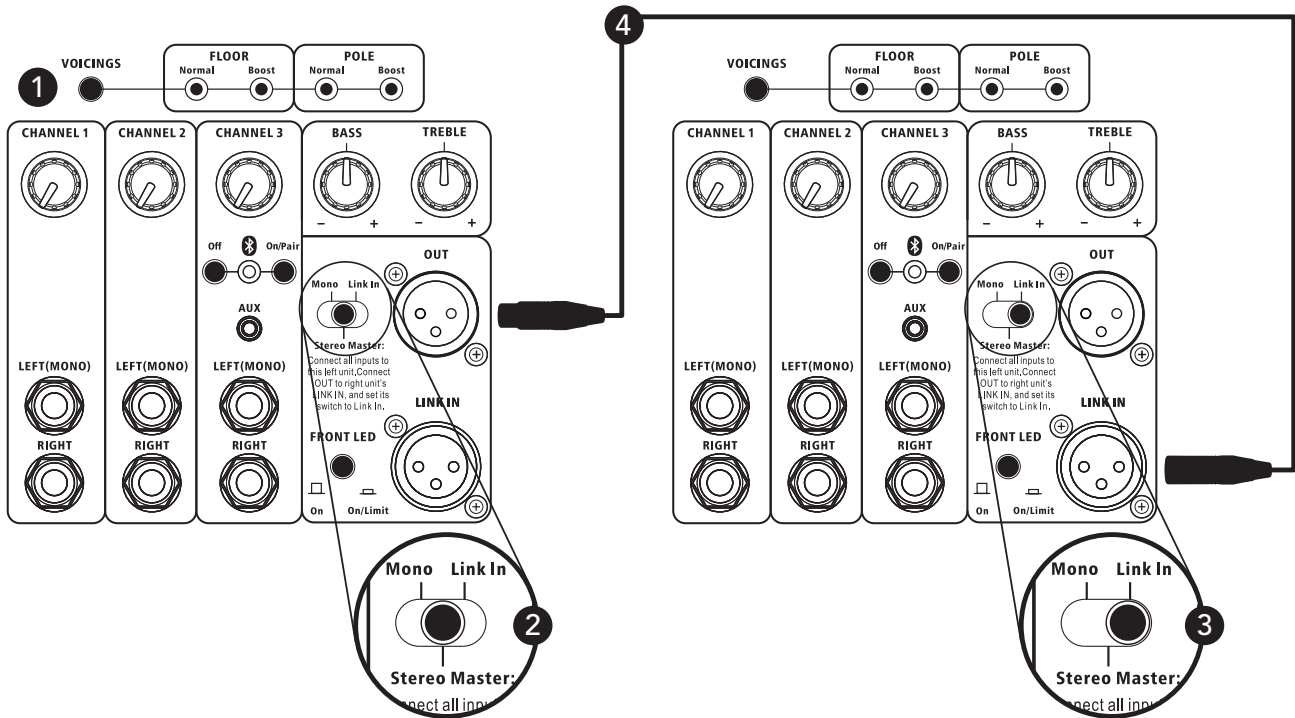


Main



Speaker stand not included

## SMART STEREO WITH DA2012B



A pair of DA2012B drum amplifiers can operate together as a Smart Stereo system, giving you control of the sound and volume of both amplifiers from the first master amplifier, and optimally distributing all audio inputs to both amplifiers for rich stereo sound.

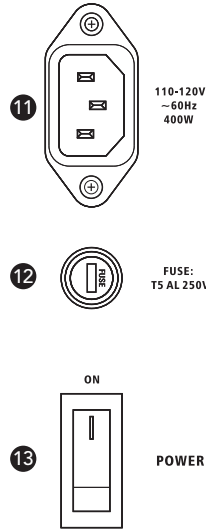
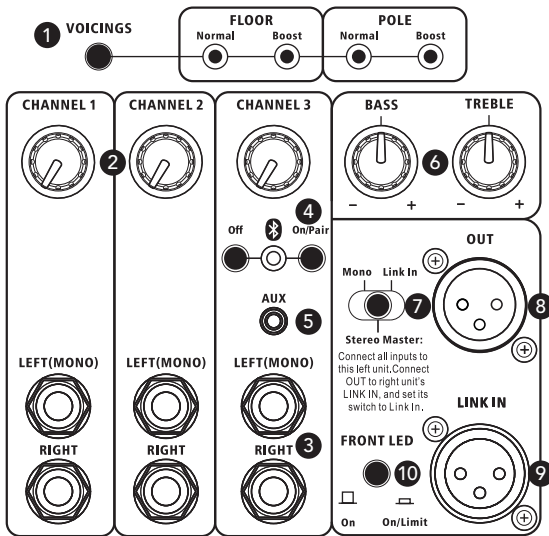
- 1 Connect all inputs and make all sound settings on the first (left) unit only. The second (right) unit's inputs and controls are all disabled when it is set to Link In.
- 2 Set the switch on first unit to Stereo Master.
- 3 Set the switch on second unit to Link In.
- 4 Connect an XLR (microphone) cable from the first unit's OUT jack to the second unit's LINK IN.

## BLUETOOTH® TROUBLESHOOTING

These steps should resolve any Bluetooth trouble you may encounter:

- Power off the DA2012B and leave it off
- On your Apple iOS device
  1. Open Settings app, select Bluetooth
  2. If DA2012B is listed under MY DEVICES, touch info button, tap to Forget This Device
  3. Turn off Bluetooth, wait 10 seconds, turn on Bluetooth
- On your Android device
  1. Open Settings, select Bluetooth
  2. If DA2012B is listed under Paired Devices, touch gear icon, and tap to Unpair
  3. Turn off Bluetooth, wait 10 seconds, turn on Bluetooth
- Then power on your DA2012B, and Bluetooth LED should flash
- You should now be able to connect to DA2012B via Bluetooth

# DA2012B BACK PANEL



## 1 VOICINGS

Pressing the button selects from the available voicings (tunings) for different applications:

- FLOOR Normal: standard tuning, for use as a floor monitor
- FLOOR Boost: boosts lows and highs, which can be useful for low volume use, or to hear yourself better alongside other musicians' amps
- POLE Normal: standard tuning, for use on a pole, or when standing vertically
- POLE Boost: boosts lows and highs, which can be useful for low volume use, or to hear yourself better alongside other musicians' amps

## 2 CHANNEL 1, 2 and 3 KNOBS

These knobs set the volume for the inputs below them. Channel 3 knob sets the level of Bluetooth audio as well as the other Channel 3 audio inputs.

## 3 BALANCED LINE INPUTS

Balanced or unbalanced line level sources can be connected here

## 4 BLUETOOTH AUDIO INPUT

Bluetooth audio input is automatically enabled each time you turn the amplifier on, will automatically reconnect to the previous Bluetooth audio source if it is available, and will otherwise be available for Bluetooth pairing from a source audio device such as a smartphone

- To pair, look for DA2012B from your Bluetooth audio source device.
- LED is lit solid when currently paired, blinking when available for pairing, and off if Bluetooth has been disabled by a press of the Bluetooth Off button.
- On/Pair button forces any currently connected Bluetooth audio source to disconnect, and makes the speaker available for pairing.
- Off button disables Bluetooth. (Bluetooth will be re-enabled next time you turn power off and on, or if you press the On/Pair button.)

## 5 AUX INPUT

Audio from smartphones, computers and other consumer audio devices can be connected here

## 6 BASS AND TREBLE KNOBS

Adjust the sound of your amplifier

## 7 MONO / STEREO MASTER / LINK IN SWITCH

- Mono: This DA2012B will output mono audio, and send mono audio to the OUT jack so it's available for any other amplifier or sound system.
- Stereo Master: This DA2012B will operate as the master unit of a Smart Stereo pair. Use a mic cable to connect this DA2012B's OUT to the LINK IN jack of a second DA2012B. All inputs should be connected to the first master amplifier, which will also set the volume and tone of both DA2012Bs.
- Link In: Use this setting for the second DA2012B of a Smart Stereo pair. The audio from the LINK IN will be routed directly to the power amp and speaker, with all other inputs and controls being ignored.

## 8 OUT JACK

Configured by 7 switch

- Mono: sends out mono audio
- Stereo Master: sends out right audio, for second DA2012B's LINK IN
- Link In: sends out the same audio received at the LINK IN jack

## 9 LINK IN JACK

Activated only when 7 switch is set to LINK IN

## 10 FRONT LED SWITCH

- On: Front LED is lit white when power is on
- On/Limit: LED lights red when limiter is active, and otherwise is lit white

If limiter is continuously or frequently active, turn down Channel 1, 2 or 3 knobs to reduce volume

## 11 Connect power cable here

- 12 If the DA2012B will not power on and you suspect its fuse may have blown, turn off the power switch, and open the fuse compartment using a small flat blade screwdriver. If metal strip in fuse is broken, replace with T5AL 250V fuse.

## 13 Switches the power on and off

## SPECIFICATIONS

### Amplifier

DSP	Selectable Voicing (Floor Normal, Floor Boost, Pole Normal, Pole Boost) and Bass and Treble knobs all control the internal DSP to customize the sound
Limiter	Transparent, dynamic DSP limiter for ideal sound quality and system protection at maximum volume
Smart Stereo	A pair of DA2012B amplifiers can be connected for unified volume and tone control from the first master amplifier, with optimal distribution of mono and audio signals between both amplifiers
Input 1	Stereo Line: Left/mono and right 1/4-inch TRS balanced/unbalanced compatible audio line inputs
Input 2	Stereo Line: Left/mono and right 1/4-inch TRS balanced/unbalanced compatible audio line inputs
Input 3	Stereo Line: Left/mono and right 1/4-inch TRS balanced/unbalanced compatible audio line inputs Aux: 1/8-inch mini TRS unbalanced input Bluetooth Audio: with On/Pair and Off buttons plus LED
Link In	XLR balanced +4dBv audio input
Out Jack	XLR balanced +4dBv audio output
Power Output	2000 Watts Peak
Bass EQ Knob	+/-12dB Shelf, 100Hz
Treble EQ Knob	+/-12dB Shelf at 10kHz
Volume	volume control per channel
Power Input	115V/60 Hz
Features	Removable AC Power Cord
	Front LED, configurable to indicate power or power/limiter
	Voicing button and 4 voicing indicator LEDs

### Speaker

Type	12" 2-way vented design
Frequency Response	40-20K Hz
Max SPL@1M	126dB
HF Driver	Compression Driver, 8 Ohm
LF Driver	12" Driver, 4 Ohm
Cabinet	Polypropylene, with rubber surfaced handles and feet
Grille	1.2mm steel
Suspension Points	DA2012B Is Not Designed For Suspension
Pole Mount	35mm stand pole with M6 screw
Product Dimensions	14.2" x 14.2" x 24.1"

### Dimensions and Weights

Packaging Size	18.1" x 18.1" x 28.1"
Net Weight	35 pounds
Gross Weight	45 pounds

## IMPORTANT SAFETY INSTRUCTIONS

Please keep this instruction manual for future reference and for the duration of owning the Simmons DA2012B Advanced Drum Amplifier. Please carefully read and understand the instructions inside this owner's manual before attempting to operate your new powered loudspeaker.

This instruction manual includes essential safety information regarding the use and maintenance of the amplifier. Take special care to heed all warning symbols and signs inside this manual and those printed on the amplifier on the back of the loudspeaker.

### WARNING

TO PREVENT FIRE OR SHOCK HAZARD, DO NOT EXPOSE THE AMPLIFIER TO WATER/MOISTURE, NOR SHOULD YOU OPERATE THE AMPLIFIER NEAR ANY WATER SOURCE.

The exclamation point triangular symbol is intended to alert the user to the presence of important operating and maintenance(servicing) instructions in the user manual accompanying the Amplifier.

The lightning flash with an arrow triangular symbol is intended to alert the user to the presence of non-insulated "dangerous voltage" within the product's enclosure, and may be of sufficient magnitude to constitute a risk of electric shock.

### WARNING


Handle the power supply cord with care.

Do not damage or deform it as it may cause electric shock or malfunction when used. Hold the plug attachment when removing from wall outlet. Do not pull on the power cord.

### IMPORTANT SAFETY PRECAUTIONS



1. Read these instructions.
2. Keep these instructions.
3. Heed all warnings.
4. Follow all Instructions.
5. Do not use this apparatus near water.
6. Clean only with dry cloth.
7. Do not block any ventilation openings. Install in accordance with the manufacturer's instructions. DO NOT turn on the amplifier module before connecting all other external devices.
8. Do not install near any heat sources such as radiators, heat registers, stoves, or other apparatus (including amplifiers) that produce heat.
9. Do not defeat the safety purpose of the polarized or grounding-type plug. A polarized plug has two blades with one wider than the other. A grounding type plug has two blades and a third grounding prong. The wide blade or the third prong is provided for your safety. If the provided plug does not fit into your outlet, consult an electrician for replacement of the obsolete outlet.
10. Protect the power cord from being walked on or pinched particularly at plugs, convenience receptacles, and the point where they exit from the apparatus.
11. Only use attachment/accessories specified by the manufacturer.
12. Use only the cart, stand, tripod, bracket or table specified by the manufacturer, or sold with the apparatus. When a cart is used, use caution when moving the cart/apparatus combination to avoid injury from tip-over.
13. Unplug this apparatus during lightning storms or when unused for long periods of time.





14. Refer all servicing to qualified service personnel. Servicing is required when the apparatus has been damaged in any way, such as power-supply cord or plug is damaged, liquid has been spilled or objects have fallen into the apparatus, the apparatus has been exposed to rain or moisture, does not operate normally, or has been dropped.
15. POWER SOURCES – This product should be operated only from the type of power source indicated on the rating label. If you are not sure of the type of power supply to your home, consult your product dealer or local power company.
16. WALL OR CEILING MOUNTING – The product should never be mounted to a wall or ceiling.
17. Where the mains plug or an appliance coupler is used as the disconnect device, the disconnect device shall remain readily operable.
18. OBJECT AND LIQUID ENTRY – Care should be taken so that objects do not fall and liquids are not spilled into the enclosure through openings.
19. Water and Moisture: This product should be kept away from direct contact with liquids. The apparatus shall not be exposed to dripping or splashing and that no objects filled with liquids, such as vases, shall be placed on the apparatus.
20. Keep the speaker system out of extended or intense direct sun light.
21. No containers filled with any type of liquid should be placed on or near the speaker system.
22. SERVICING – The user should not attempt any service to the speaker and/or amplifier beyond that described in the operating instructions. All other servicing should be referred to qualified service personnel.
23. VENTILATION – Slots and openings in the amplifier are provided for ventilation and to ensure reliable operation of the product and to protect it from overheating. These openings must not be blocked or covered. The openings should never be blocked by placing the product on a bed, sofa, rug, or other similar surface. This product should not be placed in a built-in installation such as a bookcase or rack.
24. Protective earthing terminal: The apparatus should be connected to a main socket outlet with a protective earthing connection. 
25. ACCESSORIES – Do not place this product on an unstable cart, stand, tripod, bracket, or table. The product may fall, causing serious injury to a child or adult, and serious damage to the product. Use only with a cart, stand, tripod, bracket, or table recommended by the manufacturer, or sold with the product.
26. When moving or not using the appliance, secure the power cord (e.g., wrap it with a cable tie). Be careful not to damage the power cord. Before using it again, make sure the power cord has not been damaged. If the power cord has been damaged at all, bring the unit and cord to a qualified service technician for repair or replacement as specified by the manufacturer.
27. LIGHTNING – For added protection during a lightning storm, or when it is left unattended and unused for long periods of time, unplug it from the wall outlet. This will prevent damage to the product due to lightning and power-line surges.
28. REPLACEMENT PARTS – When replacement parts are required, be sure the service technician has used replacement parts specified by the manufacturer or have the same characteristics as the original part. Unauthorized substitutions may result in fire, electric shock, or other hazards.

## IMPORTANT SAFETY INSTRUCTIONS

To prevent electric shock, do not use a polarized plug with an extension cord, receptacle or other outlet unless the blades can be fully inserted to prevent blade exposure.

	<b>CAUTION</b> RISK OF ELECTRIC SHOCK DO NOT OPEN	<b>AVIS</b> RISQUE DE CHOC ELECTRIQUE NE PAS OUVRIR	
<p><b>CAUTION:</b> To reduce the risk of electric shock, do not remove chassis. No user-serviceable parts inside. Refer servicing to qualified service personnel.</p> <p><b>AVERTISSEMENT:</b> Pour réduire les risques d'incendie et d'électrocution, ne pas exposer ce matériel à la pluie ou à l'humidité.</p>			

-  THIS SYMBOL IS INTENDED TO ALERT THE USER TO THE PRESENCE OF IMPORTANT OPERATING AND MAINTENANCE (SERVICING) INSTRUCTIONS IN THE LITERATURE ACCOMPANYING THE UNIT.
-  APPARATUS SHALL NOT BE EXPOSED TO DRIPPING OR SPLASHING AND THAT NO OBJECTS FILLED WITH LIQUIDS, SUCH AS VASES, SHALL BE PLACED ON THE APPARATUS.

### HEARING DAMAGE AND PROLONGED EXPOSURE TO EXCESSIVE SPLs

Simmons DA2012B Advanced Drum Amplifiers are capable of producing extremely loud volume levels that can cause permanent hearing damage to performers, production crews or the audience. Hearing protection is recommended during long-term exposure to high SPLs (sound pressure levels).

Remember, if it hurts, it is definitely too loud! Long term exposure to high SPLs first causes temporary threshold shifts; limiting your ability to hear the actual loudness and exercise good judgment. Repeated long term exposure to high SPLs will cause permanent hearing loss.

Please note the recommended exposure limits in the accompanying table. More information about these limits is available on the US government Occupational Safety and Health (OSHA) website at: [www.osha.gov](http://www.osha.gov).

Permissible Noise Exposures (1)	
Duration per day, hours	Sound level dBA slow response
8	90
6	92
4	95
3	97
2	100
1.5	102
1	105
0.5	110
0.25 or less	115



## WARRANTY

### Two (2) Years limited warranty

Subject to the limitations set forth below, Simmons® hereby represents and warrants that the components of this product shall be free from defects in workmanship and materials, including implied warranties of merchantability or fitness for a particular purpose, subject to normal use and service, for three (3) years to the original owner from the date of purchase.

Retailer and manufacturer shall not be liable for damages based upon inconvenience, loss of use of product, loss of time, interrupted operation or commercial loss or any other incidental or consequential damages including but not limited to lost profits, downtime, goodwill, damage to or replacement of equipment and property, and any costs of recovering, reprogramming, or reproducing any program or data stored in equipment that is used with Simmons® products. This guarantee gives you specific legal rights. You may have other legal rights which vary from state to state. Some states do not allow limitations on how long an implied warranty lasts, so the above limitation may not apply to you.

Simmons  
P.O. Box 5111 Thousand Oaks, CA 91359-5111

All trademarks and registered trademarks mentioned herein are recognized as the property of their respective holders.

## FCC STATEMENT

1. Caution: Changes or modifications to this unit not expressly approved by the party responsible for compliance could void the user's authority to operate the equipment.
2. Note: This equipment has been tested and found to comply with the limits for a Class B digital device, pursuant to part 15 of the FCC Rules. These limits are designed to provide reasonable protection against harmful interference in a residential installation. This equipment generates, uses and can radiate radio frequency energy and, if not installed and used in accordance with the instructions, may cause harmful interference to radio communications. However, there is no guarantee that interference will not occur in a particular installation. If this equipment does cause harmful interference to radio or television reception, which can be determined by tuning the equipment off and on, the user is encouraged to try to correct the interference by one or more of the following measures:
  - Reorient or relocate the receiving antenna.
  - Increase the separation between the equipment and receiver.
  - Connect the equipment into an outlet on a circuit different from that to which the receiver is connected.
  - Consult the dealer or an experienced radio/ TV technician for help.

Warning: Changes or modifications to this unit not expressly approved by the part responsible for compliance could void the user's authority to operate the equipment.

### FCC Radiation Exposure Statement

The device has been evaluated to meet general RF exposure requirement. The device can be used fixed/mobile (min20cm) exposure condition without restriction.

**HAVE QUESTIONS?**

**MISSING  
—OR—  
DAMAGED  
PARTS?**

**CALL  
888-621-4008  
TOLL FREE**

**—HAVE—  
ASSEMBLY  
QUESTIONS?**

OR VISIT OUR WEBSITE AT: [SIMMONSDRUMS.NET](http://SIMMONSDRUMS.NET)