



## Note:

Please read the manual carefully and keep it for future reference.

### Brief Introduction:

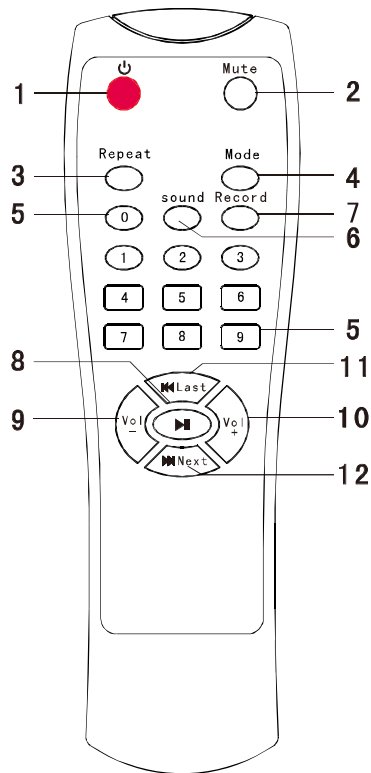
1. This speaker can be used with any audio output device such as personal computer, DVD, VCD, LD, TV, MP3, FM radio, Bluetooth (optional) etc.
2. The speaker is built-in lead acid battery, with more stable and powerful capacity. It can work 2-3.5 hours after full charged.
3. FM function working with external FM antenna (if want to receive FM channels, need to switch to FM mode and connect extra FM antenna to receive FM signal)

### CAUTION:

1. Do not place any recipients filled with liquids, such as glasses or vases, on top of or directly next to the appliance. They could fall over, causing water to enter the appliance. Never pour out liquids above the appliance. Do not place any small objects, such as coins or paper clips, on the appliance since they could fall inside the appliance. You run a high risk of causing a fire or life-threatening electrocution! If any liquid or objects enter the appliance nevertheless, pull the mains plug out of the socket immediately and contact a specialist.
2. Only pull the mains plug out of the socket by the intended gripping surface. Do not pull it by the cable.
3. Never plug the mains plug in or out with damp or wet hands
4. Electrical appliances must be kept out of the reach of children. Be particularly careful if children are present. Children are not aware of the hazards involved in handling electrical appliances improperly. Children could attempt to poke objects into the appliance. There is a life-threatening danger of electrocution.
5. Never place the appliance on an unstable or movable surface. Persons could be injured or the appliance damaged by it falling down.
6. All persons involved in operating, installing and servicing the appliance and putting it into service must be trained and qualified accordingly and observe these operating instructions.
7. Defective mains cables may only be replaced by specialists. Danger of shock hazard!
8. If you are not sure about the correct connection or if questions arise which are not answered by the operating instructions, please do not hesitate to contact support or a specialist of your choice. Consult a specialist if you are in doubt the operating principle or the safety of the product.
9. Please pull off adapter and switch it off if do not use the appliance for long time, to avoid get damaged by struck by lightning.

### Main Technical Specification

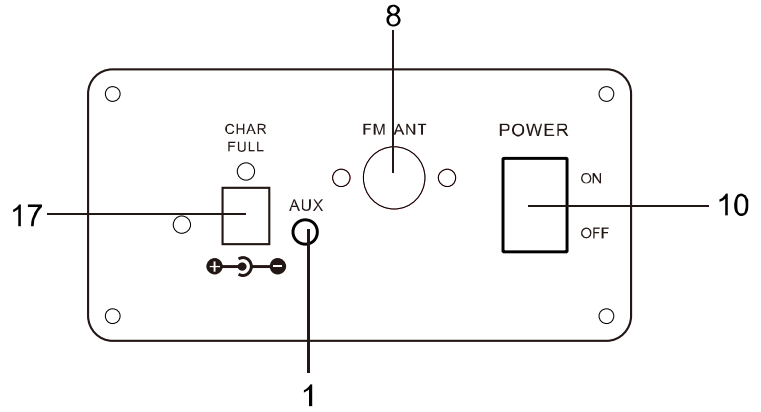
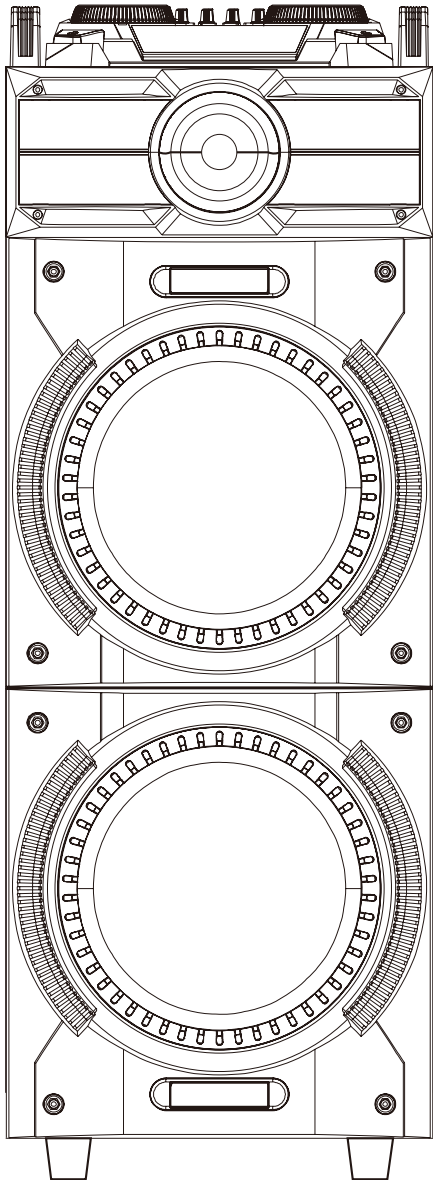
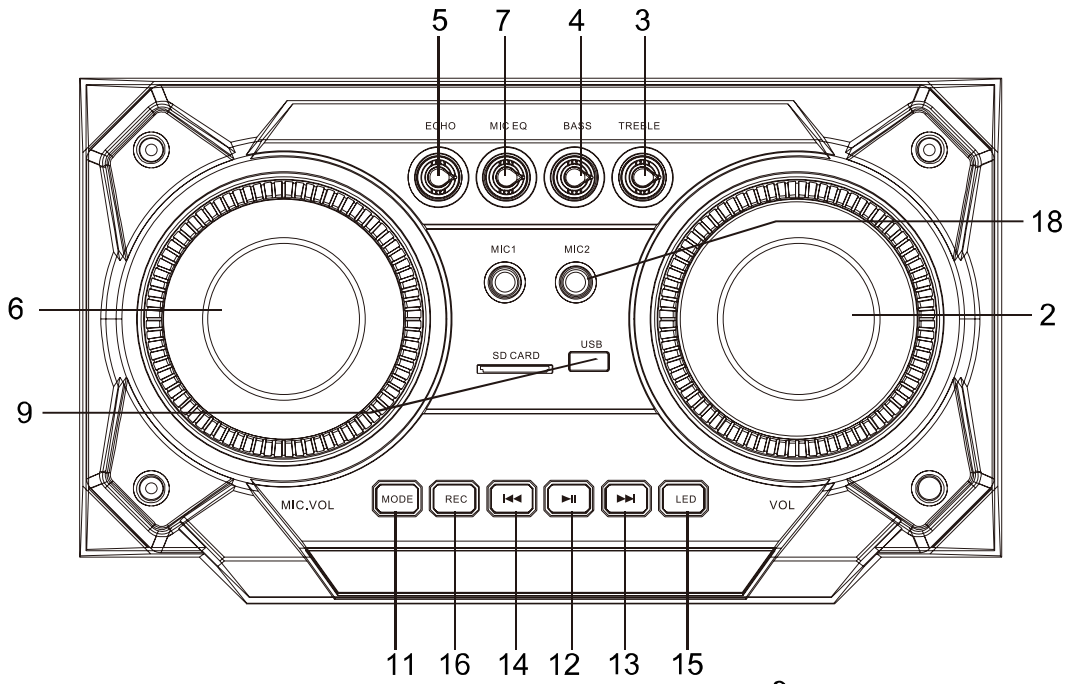
Output Power ————— 45W+45W  
Frequency ————— 60HZ-20KHZ  
Ratio —————  $\geq 70\text{DB}$   
Sensitivity ————— 500MV+-50MV  
Voltage ————— AC110V-240V 50/60HZ+-10%



1. Power on/off
2. Mute
3. Repeat key (single repeat, repeat all)
4. Mode key (shiftAUX/USB/SD mode)
5. 0-9 number keys
6. Sound mode key(several sound modes circulated)
7. Record key
8. Play/pause(all the sound will off when pause)
9. Volume –
10. Volume +
11. Previous song
12. Next song

**Remote Statement:**

- 1.Please operate remote within the distance of 6meters, 30degree between remote and the appliance. Remote should be aim at remote eye window, whereshould not be any obstacle between.
- 2.Remote function may invalid if the appliance is under strong sunshine directly. Please move the appliance to avoid the appliance exposed under sunshine. If remote operation invalid, please check battery inside remote.



- 1.AUX IN
- 2.MAIN VOLUME CONTROL
- 3.TREBLE
- 4.BASS
- 5.ECHO
- 6.MIC.VOL
- 7.MIC.EQ
- 8.FM ANT
- 9.USB/SD CARD INPUT
- 10.POWER SWITCH
- 11.MODE
- 12.PLAY/PAUSE
- 13.NEXT
- 14.PREV
- 15.LED
- 16.REC
- 17.DC INPUT
- 18.MIC INPUT

## Wireless Microphone Function Instruction:

1. Open battery cover, please notice the place of positive & negative pole when put in the batteries.
2. Turn on Microphone power switch to ON, if power indicator light not flash or constant on, please check voltage of the power maybe not enough or battery contact wrong pole.
3. Adjust the knob on the speaker for the microphone, according your need to adjust the volume.
4. Adjust volume when use wireless microphone to sing.
5. When switch on wireless microphone, power indicator light will flash, indicates the power of the battery is low, please replace new batteries as soon as possible.

## Note:

1. Efficient use of the wireless microphone distance in 15 meters, please do not use over the valid range, when the battery decrease or over interference occur, please shorten the distance
2. Do not use same frequency point at the same time in the short distance, it will cause crosstalk or interference
3. If you use two set or more than two set wireless microphone and speaker, at the same time please choose different frequency, if use the same frequency, in order to avoid mutual interference, two set device should keep away at least 50 meters.
4. Dont put the device too close to VCD/CDDVD such kind of equipment which have strong interference frequency, when you use it, same frequency will mutual interference and affect wireless microphone

## Microphone Instruction:

1. Working indicator light (when turn on the light will flash, if battery not have no enough power the indicator light will constant flashing)
2. Microphones switch (push-up "ON" in the middle "MUTE" push-down "OFF")
3. Battery cover

## Built-in recording function:

1. In Aux mode, plug USB/SD card, press record key to go to record function. screen shows 00:01 indicate recording start, if USB/SD card is the first time used in this speaker, system will create a folder the speaker will save the record file and play automatically
2. When play USB/SD status, press record key to go to recording mode, The current sound output will stop and go to mute status, screen shows "Recording". start recording when screen shows 00:01, users can use microphone to record  
If USB/SD card is the first time used in this speaker, system will create a folder named VOICE.

## USB/SD card slot

Keep the speaker away from high temperature, high magnetic field, high frequency interfere. if the speaker hang, please switch off and switch on again, or unplug USB/SD/MMC card, and re-plug, the speaker will back to normal status.

Music format support MP3, WMA.

1. USB port, plug and play
2. SD/MMC slot, plug and play
3. Mode key, to shift external AUX sound source/USB/SD card/FM/BLUETOOTH
4. Play/pause key, when playing, press this key to pause, press again to play
5. Previous/Next key, when playing, single press this key can select previous or next song
6. Repeat key, when playing, press this key can circulate the current song/ all songs

## Charging Statement

- \* Charging period should be 6-8hours, please pull off the adapter after full charged. it may caused battery damaged after charge long-time. (charging indicate light will keep flashing during charging, flashing will be stopped after charging finished.)
- \* Note: Please charge in-time if battery do not have enough power. must be sure battery have power if do not use the appliance for long time, otherwise will caused battery damaged.

## About Label



Illegal operation may hurt to human body or danger to life



Illegal operation may get hurt or property damage.

## Trouble shooting

Users may solve the problem according to following guides, if problem still cant solved, please contact our company or other authorized retailer.

| Failure phenomenon             | Possible Cause  | Disposal methods  |
|--------------------------------|---|---|
| No sound after power turned on | 1.The power cord is not plugged.<br>2.Poor power outlet.<br>3.No input source.<br>4.Volume adjustment in the minimum position.  | 1.Plug in the power plug.<br>2.Replacing the power outlet.<br>3.Better music signal.<br>4.Appropriate to adjust the volume.               |
| Sound distorted                | 1.Master volume control is too large.<br>2.Sound may be damaged   | 1.Main volume down.<br>2.Check if the speaker is damaged, if damaged, need to repair.   |
| Kara OK silent                 | 1.Microphone plug is not fully inserted.<br>2.The microphone switch did not open.<br>3.Microphone volume knob is in the minimum position.<br>4.Wireless microphone battery. | 1.Microphone totally into the microphone jack.<br>2.Open microphone switch.<br>3.Appropriate microphone volume.<br>4.Replace the battery. |
| MP3 silent                     | 1.U disk song format is wrong.<br>2.Procedures confusion caused by improper operation.<br>3.U disk/SD card is not inserted.   | 1.Change the Song formats into MP3 format.<br>2.U disk/SD card plugged in.  |

## **FCC STATEMENT:**

This device complies with Part 15 of the FCC Rules. Operation is subject to the following two conditions:

- (1) This device may not cause harmful interference, and
- (2) This device must accept any interference received, including interference that may cause undesired operation.

**Warning:** Changes or modifications not expressly approved by the party responsible for compliance could void the user's authority to operate the equipment.

**NOTE:** This equipment has been tested and found to comply with the limits for a Class B digital device, pursuant to Part 15 of the FCC Rules. These limits are designed to provide reasonable protection against harmful interference in a residential installation.

This equipment generates uses and can radiate radio frequency energy and, if not installed and used in accordance with the instructions, may cause harmful interference to radio communications. However, there is no guarantee that interference will not occur in a particular installation. If this equipment does cause harmful interference to radio or television reception, which can be determined by turning the equipment off and on, the user is encouraged to try to correct the interference by one or more of the following measures:

Reorient or relocate the receiving antenna.

Increase the separation between the equipment and receiver.

Connect the equipment into an outlet on a circuit different from that to which the receiver is connected.

Consult the dealer or an experienced radio/TV technician for help.

## **RF warning statement:**

The device has been evaluated to meet general RF exposure requirement.

The device can be used in portable exposure condition without restriction.