



Sonick Plus

AT1082

User Guide

www.atomiusa.com

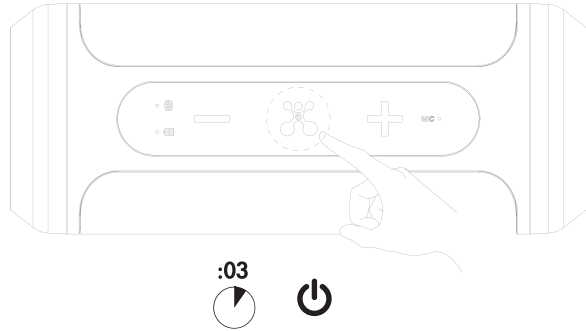
 facebook.com/AtomiElectronics

 [twitter: @AtomiUSA](https://twitter.com/AtomiUSA)

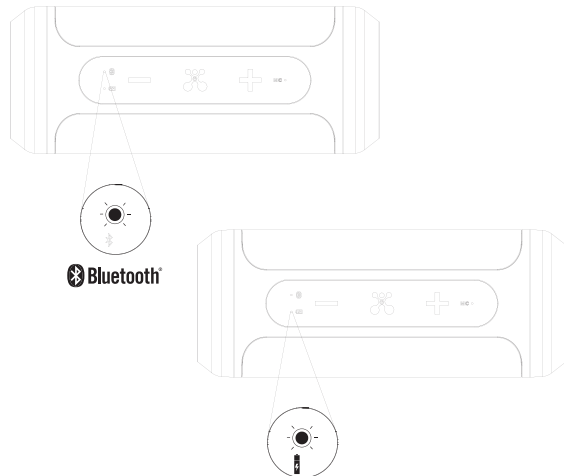
Atomi, Inc.
10W 33rd St.
Suite 520
New York
NY 10001

©2017 Atomi Inc.

1



2



6. CHARGING YOUR DEVICES

The Sonick Plus also serves as a 30W charging station for your devices. It can power up to four USB-enabled devices at lightning speed at the same time, thanks to its revolutionary Ai Charge Technology.

To power or charge up a device such as a smartphone with the Sonick Plus, first plug the Sonick Plus into a standard grounded outlet. Next, using a standard USB cable, plug your device into one of the USB ports on the Sonick Plus speaker's charging dock, then plug the other end into your device needing to charge.

TECHNICAL SPECIFICATIONS:

Battery Type: 4000mAh

Battery Life: Approximately 15 hours at moderate volume levels

Bluetooth® 4.1 Range: Up to 33 ft.

SAFETY INFORMATION

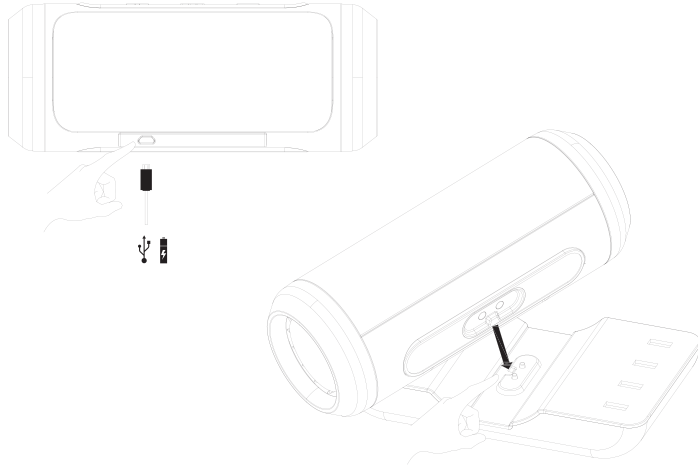
1. Read these instructions carefully for best use.
2. DO NOT expose the Sonick Plus to rain or moisture.
DO NOT use the Sonick Plus near water.
3. DO NOT use the Sonick Plus near open flames, such as candles, heat sources such as radiators and stoves, or any other heat-producing appliance.
4. Only clean the Sonick Plus with a dry cloth.
5. Only use attachments/accessories as specified by the manufacturer.
6. If the Sonick Plus is to be unused for an extended period of time (1 month or longer), fully charge the unit before storing and detach any cables or accessories.
7. Always make sure you can easily access the device's main power button.

QUESTIONS AND SUPPORT

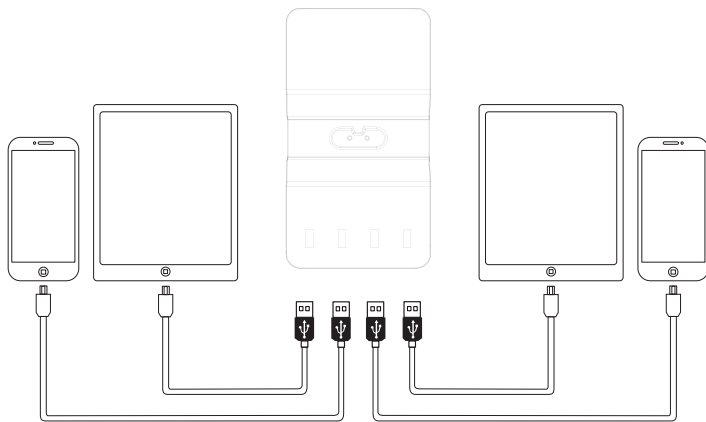
Anything we can help you with regarding your Sonick Plus speaker? Don't hesitate to get in touch with us. Just email us at info@atomiusa.com and we'll get back to you as soon as possible with a friendly, helpful reply.

Thank you!
The atomi Team

5



6



1. POWER ON/OFF

To turn your Sonick Plus on, press and hold down the atomi trademark logo (in between the “-” and “+” volume control buttons), which acts as the “Power” button. The device should power on within three seconds. You will hear a musical sound, letting you know that the speaker is now on.

TO POWER OFF: Press and hold down the atomi trademark logo. You will hear another musical sound, indicating that the speaker is now off.

NOTE: After several minutes of non-use, the Sonick Plus will power off on its own, in order to conserve its battery.

2. BLUETOOTH®

Any Bluetooth®-enabled device (4.1) can be paired with the Sonick Plus.

A. Turn on your Bluetooth® device and activate it by turning on the Bluetooth® mode. You can find the Bluetooth® menu in the Options or Settings menus on your device.

B. Power on the Sonick Plus. When the Sonick Plus is turned on, a flashing blue light will appear next to the Bluetooth® logo on the speaker. The speaker will then enter an auto-pairing mode and attempt to pair with a nearby Bluetooth® device.

C. Once turned on, the Sonick Plus should appear on your device’s Bluetooth® list. If a message such as “Not Paired” or “Not Connected” appears, select “Sonick Plus” to connect.

D. Once pairing is successful, you will see a solid (non-flashing) blue light next to the Bluetooth® logo on the Sonick Plus speaker.

You may now play music on the Sonick Plus through your device. The next time the Sonick Plus is powered on, it will automatically link with the last paired Bluetooth® device. To pair with a new device, follow steps A-D above.

NOTE: A Bluetooth® device must be within 33ft. of the Sonick Plus to be paired with it.

3. PLAYING MUSIC WITH THE SONICK PLUS

The atomi trademark logo, in between the “-” and “+” volume control buttons, serves as the “Play/Pause” button for the speaker. Simply press the logo in order to play or pause your music as you like.

To adjust the volume of the Sonick Plus, use the volume controls directly from your Bluetooth® device. Or use the volume up and volume down (+ -) buttons directly on the speaker itself.

4. USING THE MICROPHONE

The Sonick Plus provides you with a microphone, also Bluetooth®-enabled. It is located at the right side of the volume up “+” button on the speaker. This allows you to use the device as your own personal speakerphone when taking calls while connected to Bluetooth®. To take advantage of this feature, just transfer the voice to the Sonick Plus when answering a call.

NOTE: The incoming call will be heard on the Sonick Plus, and your voice will be picked up by the microphone. Please have the microphone facing towards you, and keep a close proximity to the microphone to ensure your voice is clear to the listener.

5. CHARGING THE SONICK PLUS

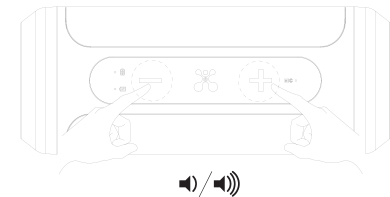
To charge or power up the Sonick Plus, first plug the Sonick Plus into a standard grounded outlet. Then, place the speaker in the center groove of the 4 USB-port charging dock. You will notice a pair of small metallic magnets on the underside of the Sonick Plus. In order to charge the device, these magnets need to be placed on top of the two small metal tips in the charging dock.

When you do this correctly, you will feel the Sonick Plus click into place on the charging dock. The red charging light, next to the charging battery symbol on the Sonick Plus (near the volume down “-” button), will turn on as well.

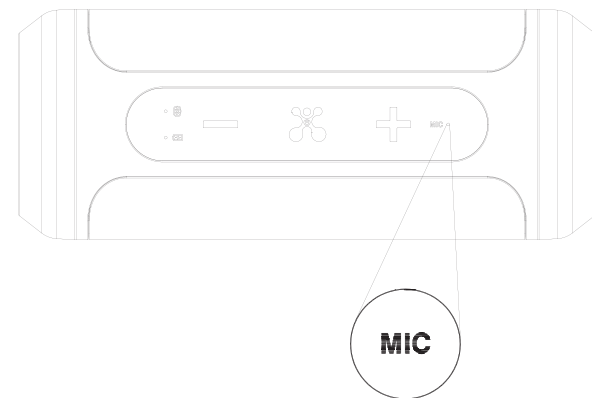
The Sonick Plus can also be charged using the micro-USB cable which comes included with the Sonick Plus. Just insert the cable into the Sonick Plus as demonstrated in picture #5, then plug the cable’s other end into a wall or car charger.

The Sonick Plus will stay charged as long as it remains connected to a power source. The speaker requires a maximum of 4-5 hours to completely recharge. Battery life is approximately 15 hours at moderate-volume listening.

3



4



FCC Warning:

This equipment has been tested and found to comply with the limits for a Class B digital device, pursuant to part 15 of the FCC Rules. These limits are designed to provide reasonable protection against harmful interference in a residential installation. This equipment generates, uses and can radiate radio frequency energy and, if not installed and used in accordance with the instructions, may cause harmful interference to radio communications. However, there is no guarantee that interference will not occur in a particular installation. If this equipment does cause harmful interference to radio or television reception, which can be determined by turning the equipment off and on, the user is encouraged to try to correct the interference by one or more of the following measures:

- Reorient or relocate the receiving antenna.
- Increase the separation between the equipment and receiver.
- Connect the equipment into an outlet on a circuit different from that to which the receiver is connected.
- Consult the dealer or an experienced radio/TV technician for help.

Caution: Any changes or modifications to this device not explicitly approved by manufacturer could void your authority to operate this equipment.

This device complies with part 15 of the FCC Rules. Operation is subject to the following two conditions: (1) This device may not cause harmful interference, and (2) this device must accept any interference received, including interference that may cause undesired operation.

The device has been evaluated to meet general RF exposure requirement.