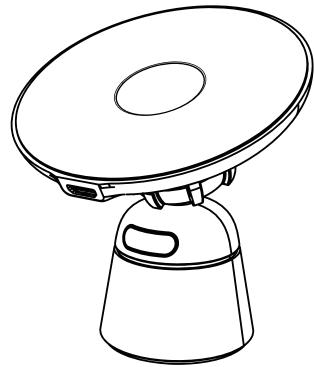


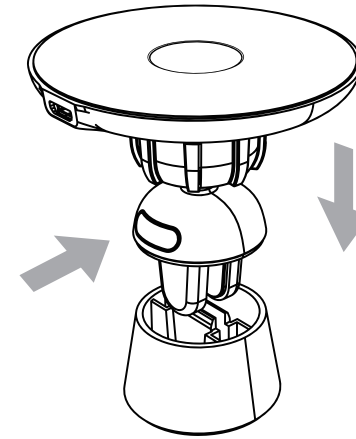
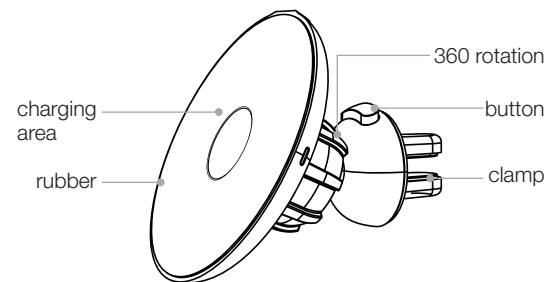
User manual HKWP1060-10Q



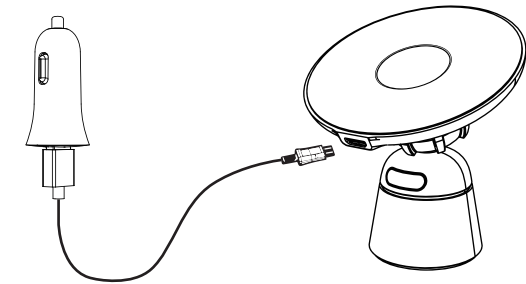
MAGNETIC Wireless Charger Car Mount

Thanks for choosing us! HKWP1060-10Q is a very convenient wireless car charger, with unique magnetic design, it takes magnetic wireless charging for mobile phone -suction is charging. It is installed and clamped at the air outlet or paste other place, so it can also serve as car holder for your convenient car life. Please kindly read the user manual before using and keep it for future reference.

Product components



base assembly



Method of use

- Fixed installation**
Clamp bracket at air conditioning vent or at other places in the car, connect to USB power cable, adjust the angle.
- Charging**
--Mobile phone with wireless charging function can be adsorbed directly to the bracket for charging (In general, the induction area is located at phone center position).
--Mobile phone without wireless charging function needs to match the wireless charging receiver, then it can also be adsorbed to the bracket for charging.

Indicators

- LED off light: standby
- LED blue light: charging
- LED blue light flashes 1s, LED green light flashes 1s, then LED blue light goes into the normal charging mode:
Power on

Technical Specification

Model:	HKWP1060-10Q
Input:	5V-2A/9V-1.67A
Output:	5V-1A/9V-1.1A
Qi charging:	WPC Qi standard 1.2.4
Conversion rate:	≥72%
Dimension:	72*68*39mm

Package Contents

- 1-Coil Qi Wireless charger
- Micro USB
- User manual

Magnetic Function

HKWP1060-10Q has magnetic function, which differs from different mobile phones with wireless charging function or different size of receiver of different magnetic force, and dedicated magnetic charging receiver is recommended.

Caution

1. Do not disassemble or throw into fire or water, to avoid causing a short circuit leakage.
2. Do not use wireless charger in severely hot, humid or corrosive environments, to avoid circuit damage and occurs leakage phenomenon.
3. Do not place too close with magnetic stripe or chip card (ID card, bank cards, etc.) to avoid magnetic failure.
4. Please keep the charger at least 10cm from implantable medical devices, to avoid any possible interference each other.
5. To take care of of the children, to ensure that they wont play with the wireless charger as a toy, to avoid unnecessary accidents.

Notes

1. Please use an AC adapter with real 1.5A output. The input of the wireless charger is DC5V 1.5A, insufficient input current may cause unstable charging.
2. The coils are embedded in the middle of the HKWP1060-10Q. Generally speaking it can charge all Qi mobile devices. However, sometimes, the receiver coil in your phone is at the bottom and you have to adjust the position of your phone to get charged.
3. Some mobile phones respond a little slower when put on the HKWP1060-10Q and please be advised that this is due to the operating system.

NOTE: This equipment has been tested and found to comply with the limits for a wireless power charger, pursuant to Part 18 of the FCC Rules. These limits are designed to provide reasonable protection against harmful interference in a residential installation. This equipment generates, uses and can radiate radio frequency energy and, if not installed and used in accordance with the instructions, may cause harmful interference to radio communications. However, there is no guarantee that interference will not occur in a particular installation. If this equipment does cause harmful interference to radio or television reception, which can be determined by turning the equipment off and on, the user is encouraged to try to correct the interference by one or more of the following measures:

- Reorient or relocate the receiving antenna.
- Increase the separation between the equipment and receiver.
- Connect the equipment into an outlet on a circuit different from that to which the receiver is connected.
- Consult the dealer or an experienced radio/TV technician for help.

CAUTION: Changes or modifications not expressly approved by the party responsible for compliance could void the user's authority to operate the product.