



ACTpro



ACT

ACTpro Readers



ACTpro 1030e
Slimline Proximity
Reader



ACTpro 1040e
Proximity Reader



ACTpro 1050e/1060e
PIN & Proximity Reader/
PIN only Reader

Installation Manual

FCC STATEMENTS

	ACTpro 1030e	ACTpro 1040e	ACTpro 1050e
Model No.	RF-1030	RF-1040	RF-1050
FCC ID	2AILRRF1030	2AILRRF1040	2AILRRF1050

This device complies with part 15 of the FCC Rules. Operation is subject to the following two conditions: (1) this device may not cause harmful interference, and (2) this device must accept any interference received, including interference that may cause undesired operation.

WARNING: Changes or modifications not expressly approved by the party responsible for compliance could void the user's authority to operate the equipment.

	ACTpro 1060e
Model No.	RF-1060



Note: This equipment has been tested and found to comply with the limits for a Class A digital device, pursuant to part 15 of the FCC Rules. These limits are designed to provide reasonable protection against harmful interference when the equipment is operated in a commercial environment. This equipment generates, uses, and can radiate radio frequency energy and, if not installed and used in accordance with the instruction manual, may cause harmful interference to radio communications.

Operation of this equipment in a residential area is likely to cause harmful interference in which case the user will be required to correct the interference at his own expense.

WARNING: Changes or modifications not expressly approved by the party responsible for compliance could void the user's authority to operate the equipment.

1.0 Specifications Table

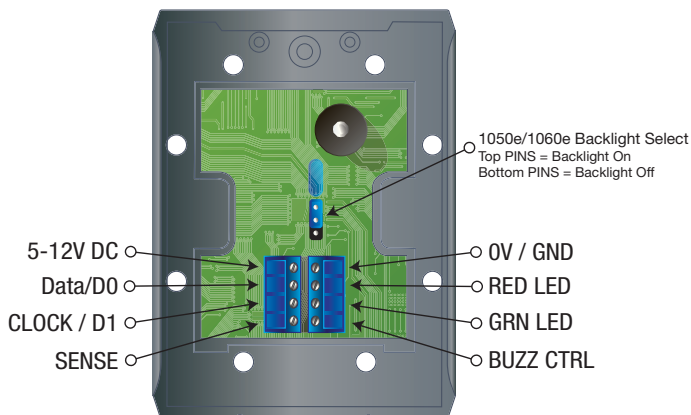
	ACTpro 1030e	ACTpro 1040e	ACTpro 1050e	ACTpro 1060e
Connections	Pigtail	Terminal Block	Terminal Block	Terminal Block
Dimensions W x H x D	1 7/16" x 4 3/4" x 9/16" 37mm x 120mm x 15mm	3 3/4" x 5 1/16" x 3/4" 95mm x 128mm x 19mm	3 3/4" x 5 1/16" x 13/16" 95mm x 128mm x 21mm	3 3/4" x 5 1/16" x 13/16" 95mm x 128mm x 21mm
Mounting	Mullion	Flush or Surface	Flush or Surface	Flush or Surface
Power Supply	5Vdc-16Vdc	5Vdc-16Vdc	5Vdc-16Vdc	5Vdc-16Vdc
Current Consumption	75mA	75mA	100mA	75mA
Operating Temperature	-4°F/122°F -10°C/50°C	-4°F/122°F -10°C/50°C	-4°F/122°F -10°C/50°C	-4°F/122°F -10°C/50°C
Transmit Frequency	125Khz	125Khz	125Khz	NA
Keypad	No	No	Yes	Yes
Environmental Rating	IP67	IP67	IP67	IP67
Cable Distance	300ft 100 m	300ft 100 m	300ft 100 m	300ft 100 m
Output Formats	Wiegand or Clock & Data	Wiegand or Clock & Data	Wiegand or Clock & Data	Wiegand or Clock & Data
Indoor & Outdoor	Yes	Yes	Yes	Yes
Standards	CE/FCC Certified	CE/FCC Certified	CE/FCC Certified	CE/FCC

Product Description

ACTpro RFID readers are 125Khz readers that support all ACT RFID cards and fobs and HID-compatible tokens.

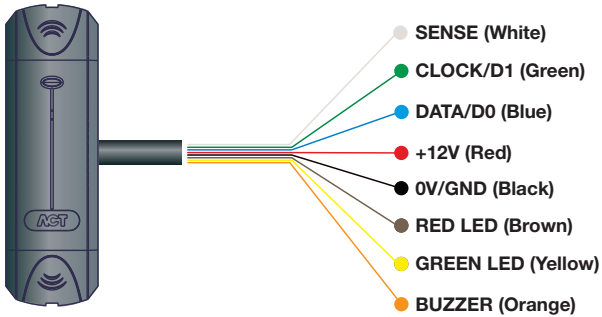
- Compatible with ACT RFID cards and fobs.
- Compatible with HID Clock and Data and Wiegand cards/fobs.
- Features a buzzer and an LED indication.
- Can be configured for Clock and Data or Wiegand output.
- Compatible with all standard access control systems.

Reader Connections - ACTpro 1040e/1050e/1060e



Reader Connections - ACTpro 1030e

ACTpro 1030e is supplied with 9ft/3m pigtail cable.

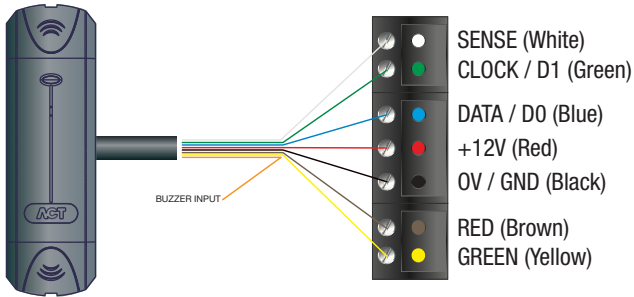


CAT 5/6 Colour Code

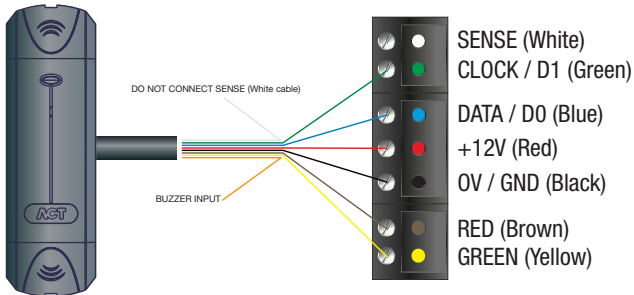
The following is suggested colour coding if using CAT5 or CAT6 cabling.

Reader Output	Colour
Sense	White/Green
Clock / D1	Green
Data / D0	Blue
+12V	Orange
(0V) GND	White/Orange
Red LED	Brown
Green LED	White/Brown

Clock & Data Entry Reader - Wiring

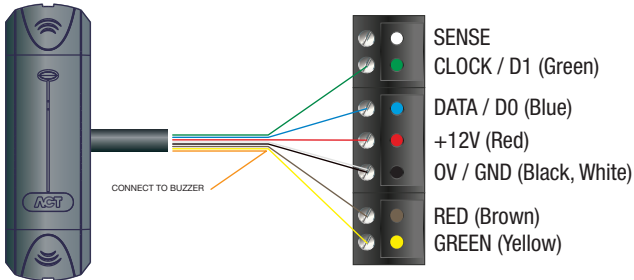


Clock & Data Exit Reader - Wiring



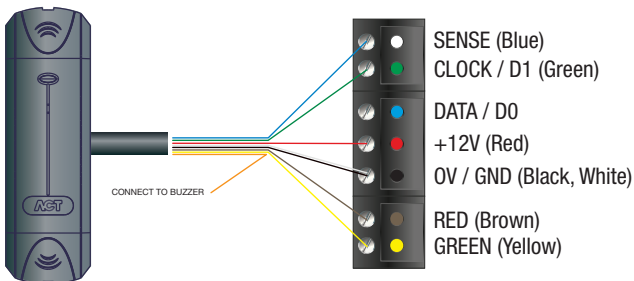
NB: Illustrations apply to all ACTpro readers

WIEGAND Entry Reader - Wiring



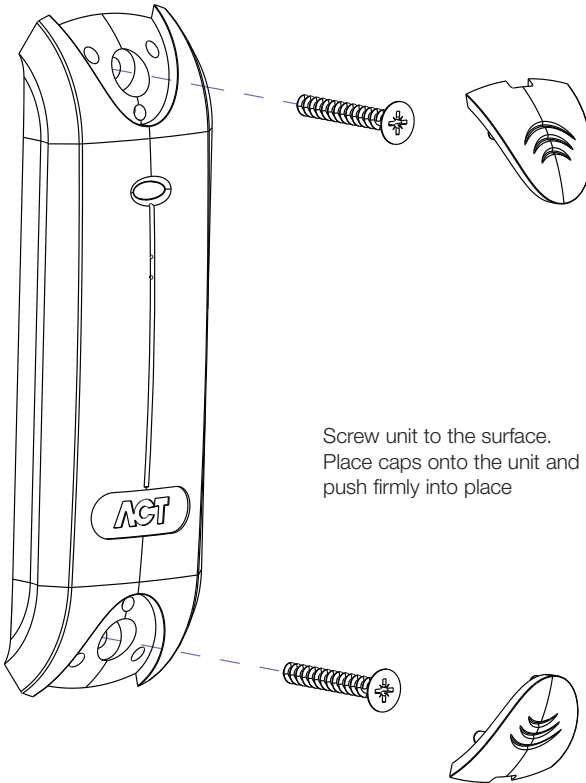
IMPORTANT: To put ACT readers into **wiegand mode** connect the **SENSE** on the reader to **0V/GND**.

WIEGAND Exit Reader - Wiring

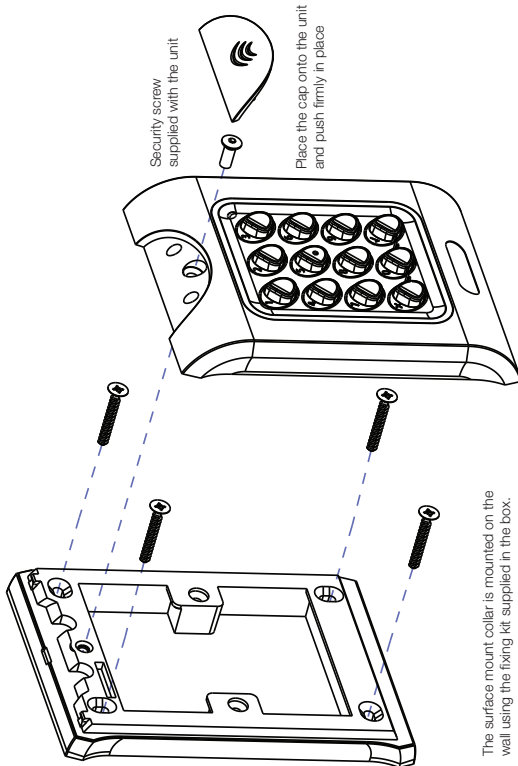


IMPORTANT: To put ACT readers into **wiegand mode** connect the **SENSE** on the reader to **0V/GND PIN** and **DATA/D0** to the **SENSE PIN** on the controller.

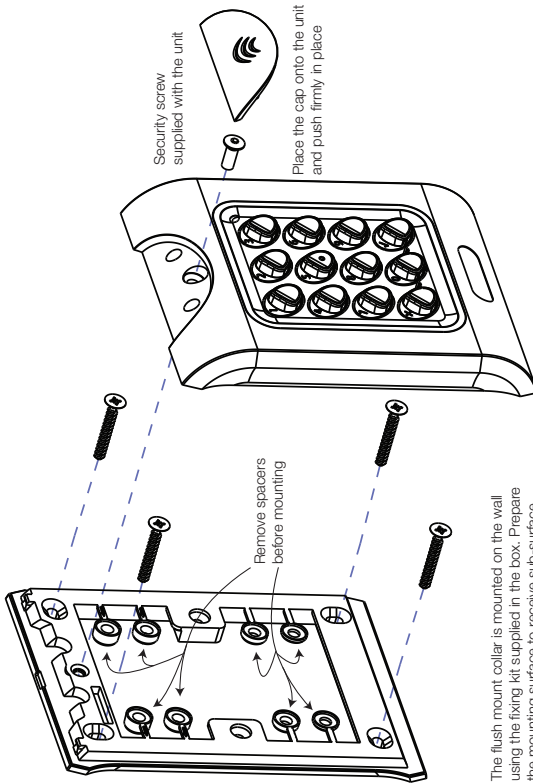
ACTpro 1030e Mounting Diagram



ACTpro 1040e/1050e/1060e Surface Mount Diagram



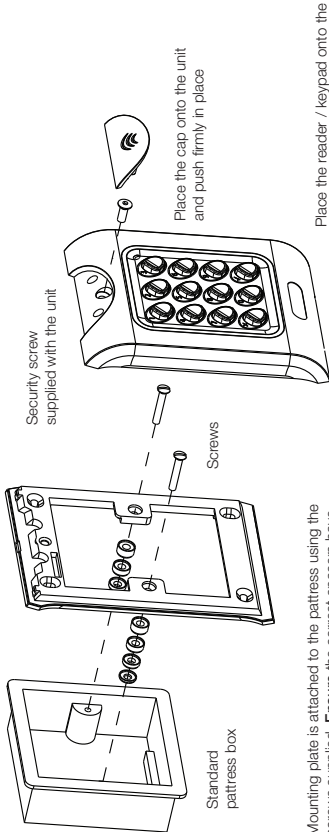
ACTpro 1040e/1050e/1060e Flush Mount Diagram



The flush mount collar is mounted on the wall using the fixing kit supplied in the box. Prepare the mounting surface to receive sub-surface terminals.

Place the reader / keypad onto the flush mount collar and clip down into place. Use the security screw supplied to attach the unit to the flush mount collar.

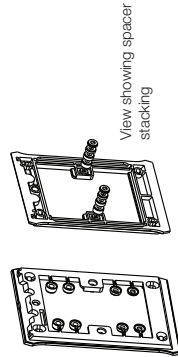
ACTpro 1040e/1050e/1060e Flush Mounting to UK Pattress Box



Place the reader / keypad onto the surface mount collar and clip down into place. Use the security screw supplied to attach the unit to the flush mount collar.

Mounting plate is attached to the pattress using the screws supplied. **Ensure** the correct spacers have been used to bridge the gap between the mounting plate and the fixing wings of the pattress box to avoid the mounting plate being distorted.

Note:
Determine the distance between the pattress box and the mounting plate, using the spacers that are labelled 1mm to 4mm. A spacer of the correct length is assembled by stacking the spacers together.



Spacers break away from main component when required by installer for use

View shows mounting plate before spacers are broken away by installer





ACT

Access Control Technology Ltd. reserve the right to change the contents of this manual and the system it applies to without prior notice.

While every effort has been taken by ACT to ensure the accuracy of the information contained within this document, ACT assumes no responsibility for any errors or omissions. No liability is assumed for damages resulting from the use of information contained within this document.



CE



Ireland Office
Unit C1, South City Business Centre,
Tallaght, Dublin, D24 PN28, Ireland

United Kingdom Office
601 Birchwood One, Dewhurst Road,
Birchwood, Warrington, WA3 7GB, UK

Ireland: +353 (0)1 466 2570
UK: +44 (0)161 236 9488
Email: info@act.eu
www.act.eu
www.act-access.com (USA)



Copyright © 2016 Access Control Technology Ltd. Part No. 18-00106 Issue 0