

A

A

B

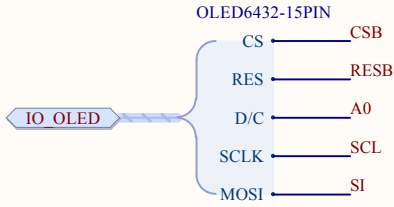
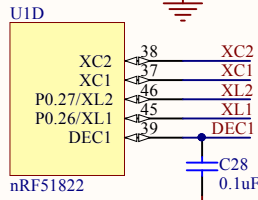
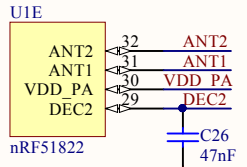
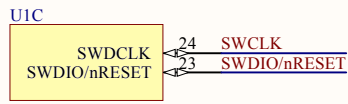
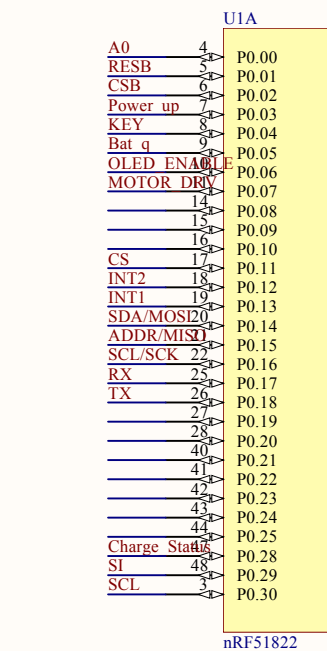
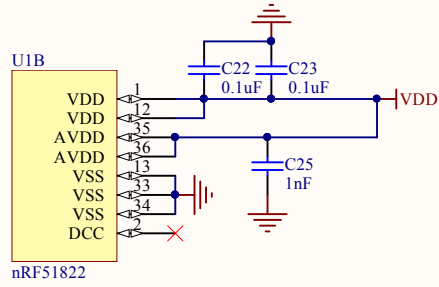
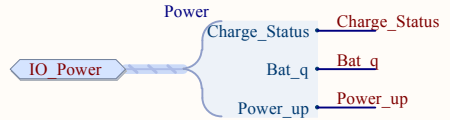
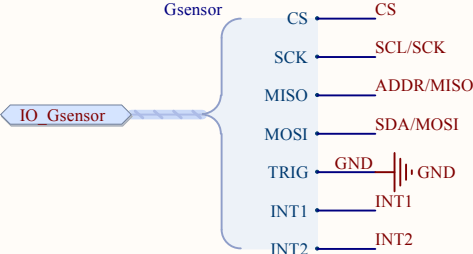
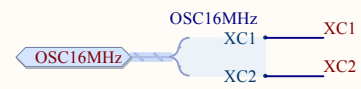
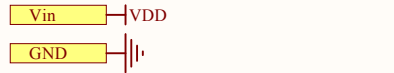
B

C

C

D

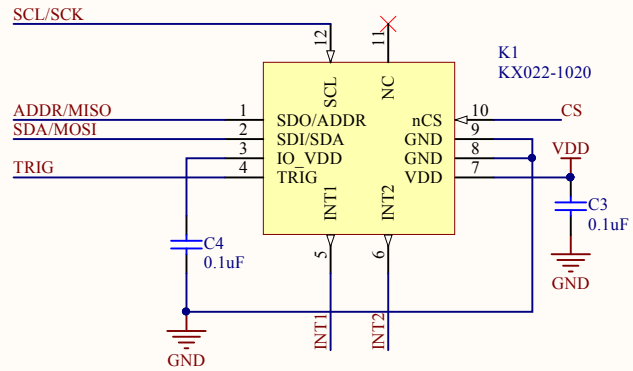
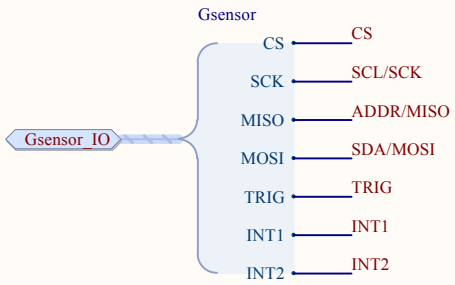
D



5	P0.01 AIN2	Digital I/O Analog input	General purpose I/O pin ADC input 2
6	P0.02 AIN3	Digital I/O Analog input	General purpose I/O pin ADC input 3
7	P0.03 AIN4	Digital I/O Analog input	General purpose I/O pin ADC input 4
8	P0.04 AIN5	Digital I/O Analog input	General purpose I/O pin ADC input 5
9	P0.05 AIN6	Digital I/O Analog input	General purpose I/O pin ADC input 6
10	P0.06 AIN7	Digital I/O Analog input	General purpose I/O pin ADC input 7
	AREF1	Analog input	ADC Reference voltage

Size: A4	Number:	Revision:
Date: 2015/4/17	Time: 14:01:21	Sheet of
File:		

Cannot open file D:\Users\Public\Documents\Altium\AD14\yokay\Devicesheet\kx022-1020.png



Title *			*
Size: A4	Number:*	Revision:*	*
Date: 2015/4/17	Time: 14:01:21	Sheet* of *	*
File:			

1

2

3

4

A

A

KEY KEY



GND

B

B

C

C

D

D

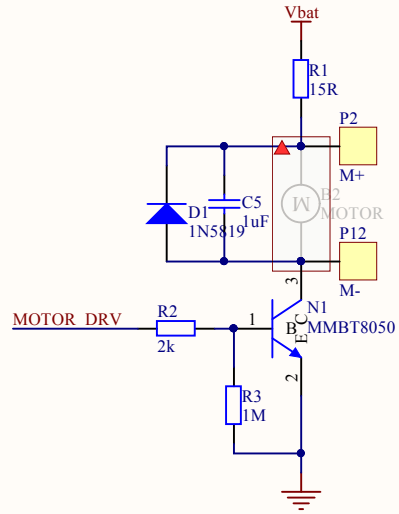
Title				
Size: A4	Number:	Revision:		
Date: 2015/4/17	Time: 14:01:21	Sheet of		
File:				

1

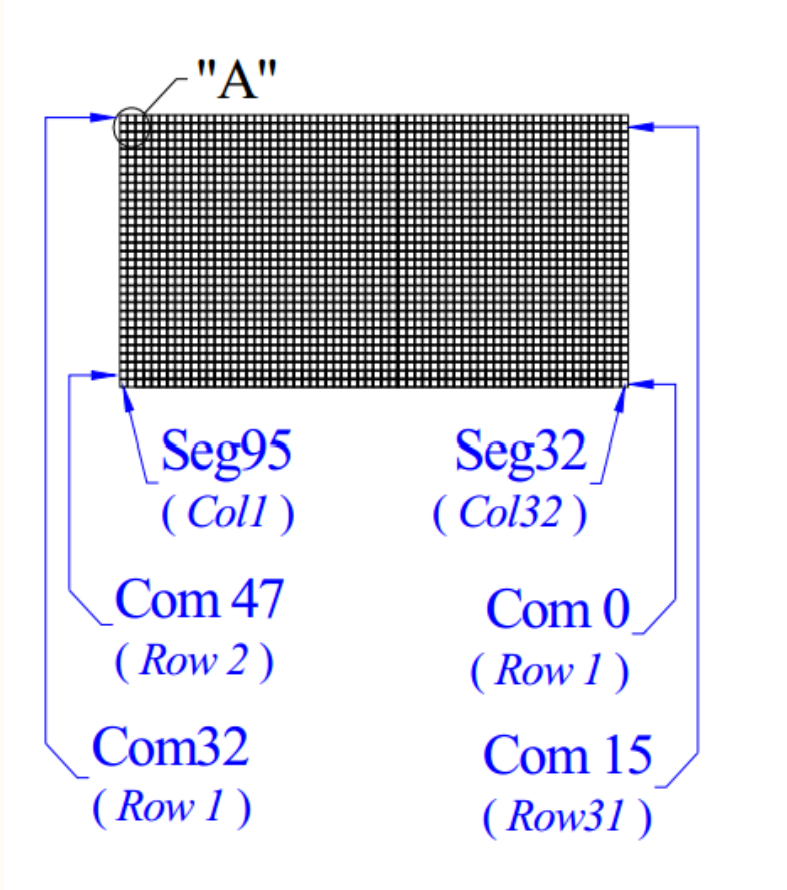
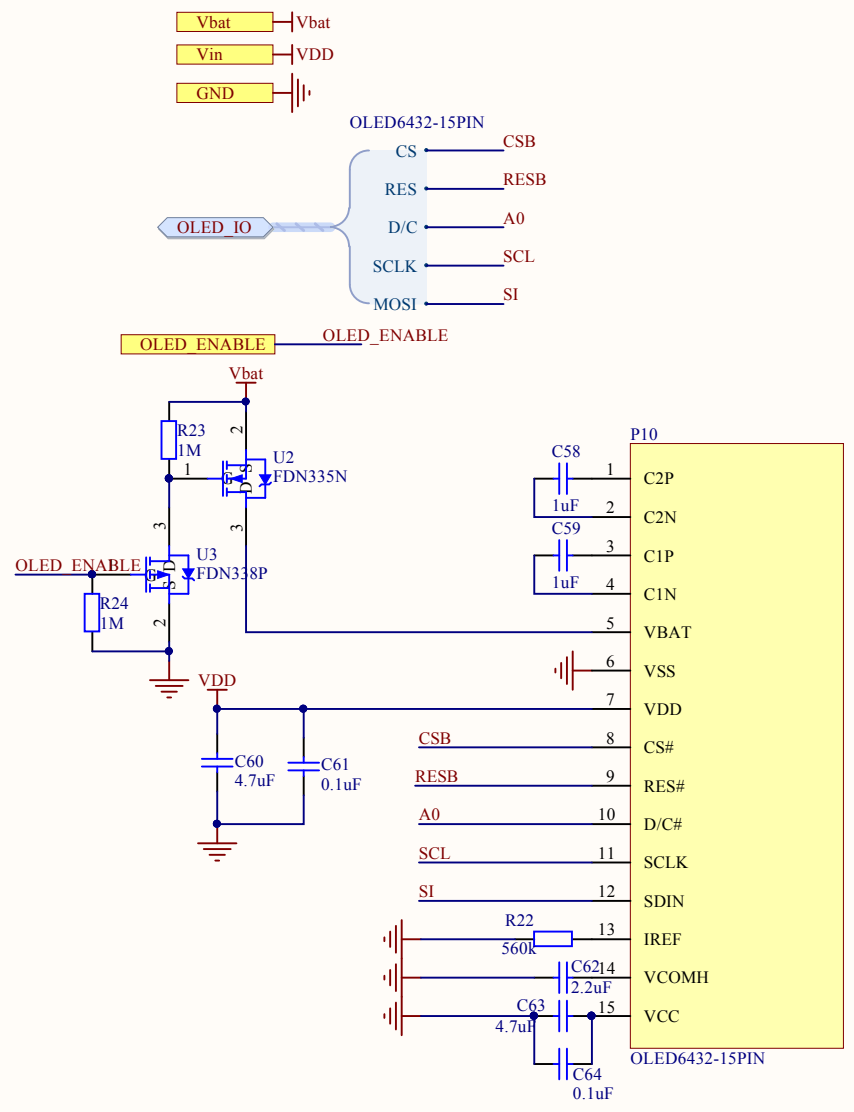
2

3

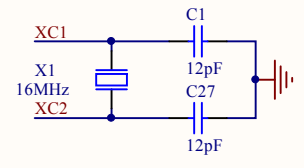
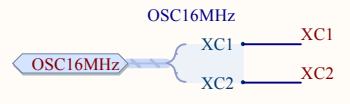
4



Title *			*
Size: A4	Number:*	Revision:*	*
Date: 2015/4/17	Time: 14:01:22	Sheet* of *	*
File:			



Title			
Size: A4	Number:	Revision:	
Date: 2015/4/17	Time: 14:01:22	Sheet of	
File:			



Title *			*
Size: A4	Number:*	Revision:*	*
Date: 2015/4/17	Time: 14:01:22	Sheet* of *	*
File:			

1

2

3

4

A

A

B

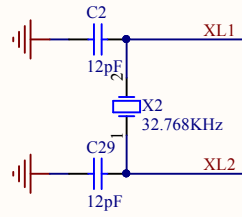
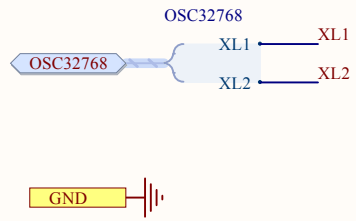
B

C

C

D

D



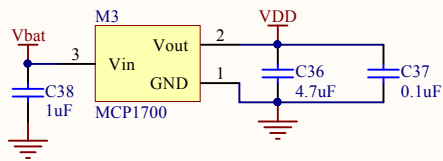
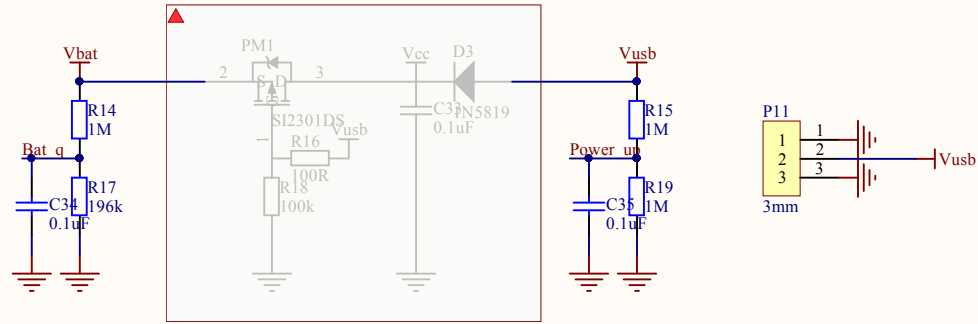
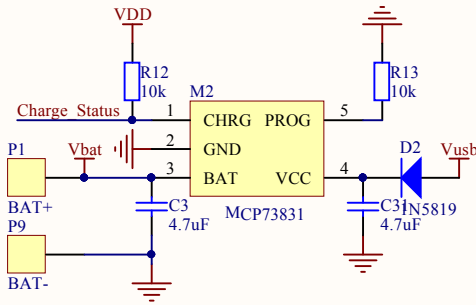
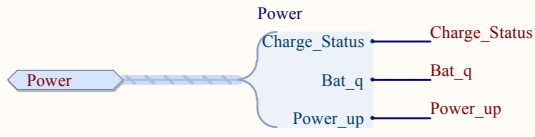
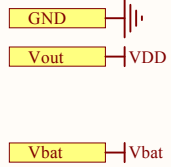
Title *			*
Size: A4	Number:*	Revision:*	*
Date: 2015/4/17	Time: 14:01:22	Sheet* of *	*
File:			

1

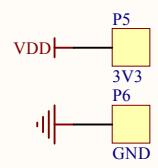
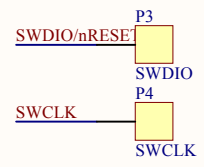
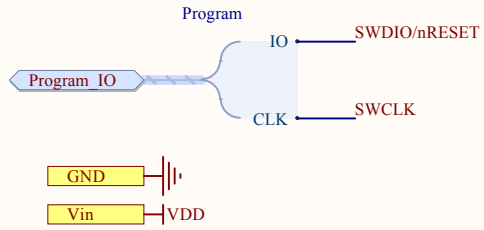
2

3

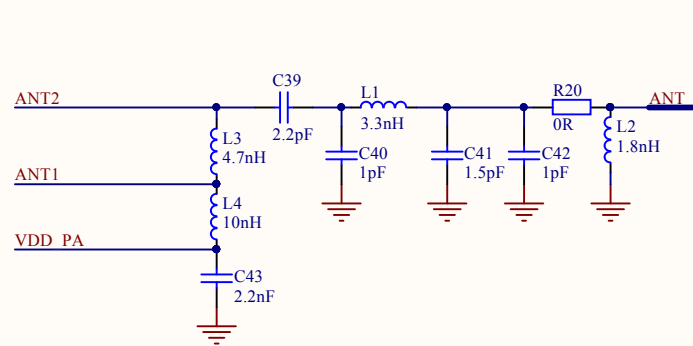
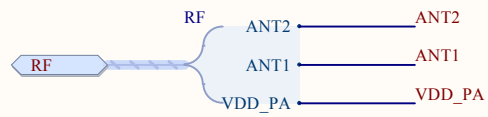
4



Title *			*
Size: A4	Number:*	Revision:*	*
Date: 2015/4/17	Time: 14:01:22	Sheet* of *	*
File:			



Title *			*
Size: A4	Number:*	Revision:*	*
Date: 2015/4/17	Time: 14:01:22	Sheet* of *	*
File:			*



Title *			*
Size: A4	Number:*	Revision:*	*
Date: 2015/4/17	Time: 14:01:22	Sheet* of *	*
File:			

1

2

3

4

A

A

B

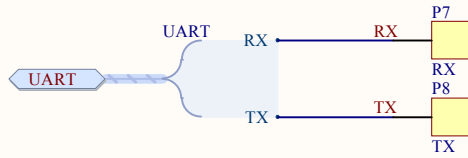
B

C

C

D

D



Title *			* * * *
Size: A4	Number:*	Revision:*	
Date: 2015/4/17	Time: 14:01:22	Sheet* of *	
File:			

1

2

3

4