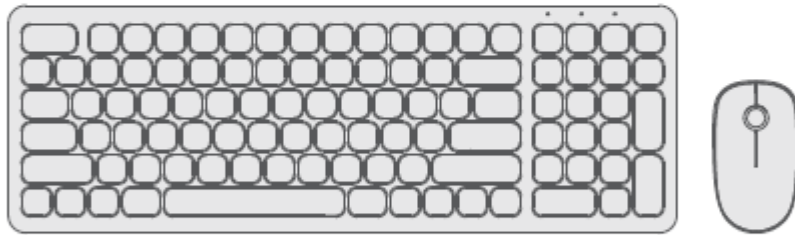


victsing

WIRELESS KEYBOARD AND MOUSE



USER MANUAL

MODEL:PC252A

PACKING LIST



EN

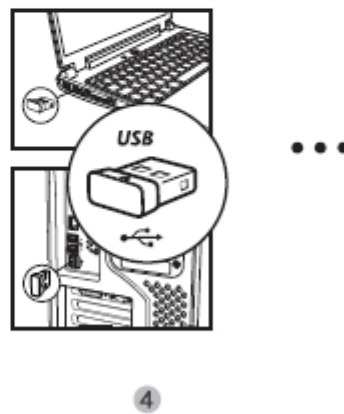
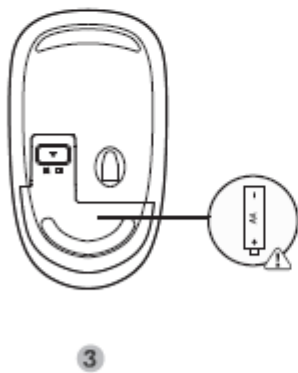
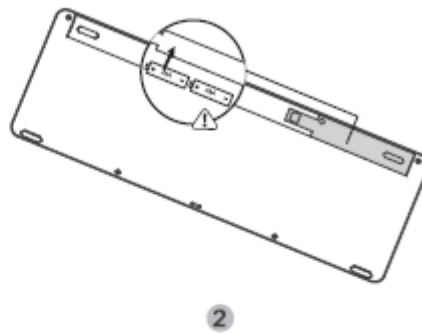
Keyboard x1

Mouse x1

USB Receiver
(Stored in battery
compartment) x1

User Manual x1

INSTRUCTIONS



INSTRUCTIONS

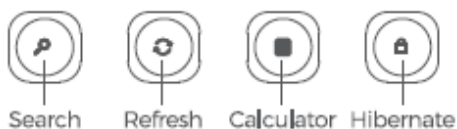
English

1. Take out keyboard and mouse from the package, and take out USB receiver from battery compartment of the mouse.
2. Put 2 pcs 1.5V AAA dry cells into keyboard with the correct polarity direction, and turn on its switch.
3. Put a 1.5V AA dry cell into mouse with the correct polarity direction.
4. Plug the USB receiver in computer port.
5. They are available after the drive is installed on computer automatically.

COMBINED MULTIMEDIA FUNCTIONS

Fn+F1	Fn+F2	Fn+F3	Fn+F4	Fn+F5	Fn+F6
Player	Volume-	Volume+	Mute	Previous Track	Next Track
FN+F7	FN+F8	Fn+F9	Fn+F10	Fn+F11	Fn+F12
Play/Pause	Stop	Homepage	Email	My Computer	Favorites

INDEPENDENT MULTIMEDIA BUTTONS



Note:

1. The multimedia functions of keyboard are not available in Mac OS.

2.The keyboard is only workable with AAA alkaline dry cell and the mouse is only workable with AA alkaline dry cell. For better maintenance, please take out batteries if you're not going to use the products for a long time.

SOLUTIONS FOR CONNECTING PROBLEMS

Mouse

1. Take out the battery and install it back with the correct polarity direction.
2. Press the left button, scroll wheel and right button simultaneously over 3s and it will enter code pairing mode.
3. Unplug the USB receiver and replug it back.
4. Move the mouse within 20s and it works normally indicating successful code pairing.

Keyboard

- 1.Turn on the switch after the keyboard is installed with batteries.
- 2.Simultaneously press "ESC" and "FN" buttons over 3s, and the keyboard will enter into code pairing mode after its indicator light stays on.
- 3.Plug USB receiver in computer port and keep the distance between receiver and keyboard within 30cm.
- 4.The indicator light of keyboard will go out if the code pairing is successful.

Note

If the product is still unworkable after above solutions, please repeat those steps for code pairing again. If your problems can't get solved yet after that, please contact our customer service for help (Email: support@victsing.com).

Warning:

Changes or modifications to this unit not expressly approved by the party responsible for compliance could void the user's authority to operate the equipment.

NOTE:

This device complies with part 15 of the FCC Rules. Operation is subject to the following two conditions: (1) This device may not cause harmful interference, and (2) this device must accept any interference received, including interference that may cause undesired operation.

NOTE:

This equipment has been tested and found to comply with the limits for a Class B digital device, pursuant to part 15 of the FCC Rules. These limits are designed to provide reasonable protection against harmful interference in a residential installation. This equipment generates,

uses and can radiate radio frequency energy and, if not installed and used in accordance with the instructions, may cause harmful interference to radio communications. However, there is no guarantee that interference will not occur in a particular installation. If this equipment does cause harmful interference to radio or television reception, which can be determined by turning the equipment off and on, the user is encouraged to try to correct the interference by one or more of the following measures:

- Reorient or relocate the receiving antenna.
- Increase the separation between the equipment and receiver.
- Connect the equipment into an outlet on a circuit different from that to which the receiver is connected.
- Consult the dealer or an experienced radio/TV technician for help.

RF exposure compliance statement:

This device has been evaluated to meet the general RF exposure requirement it can be used in portable exposure condition without restriction.