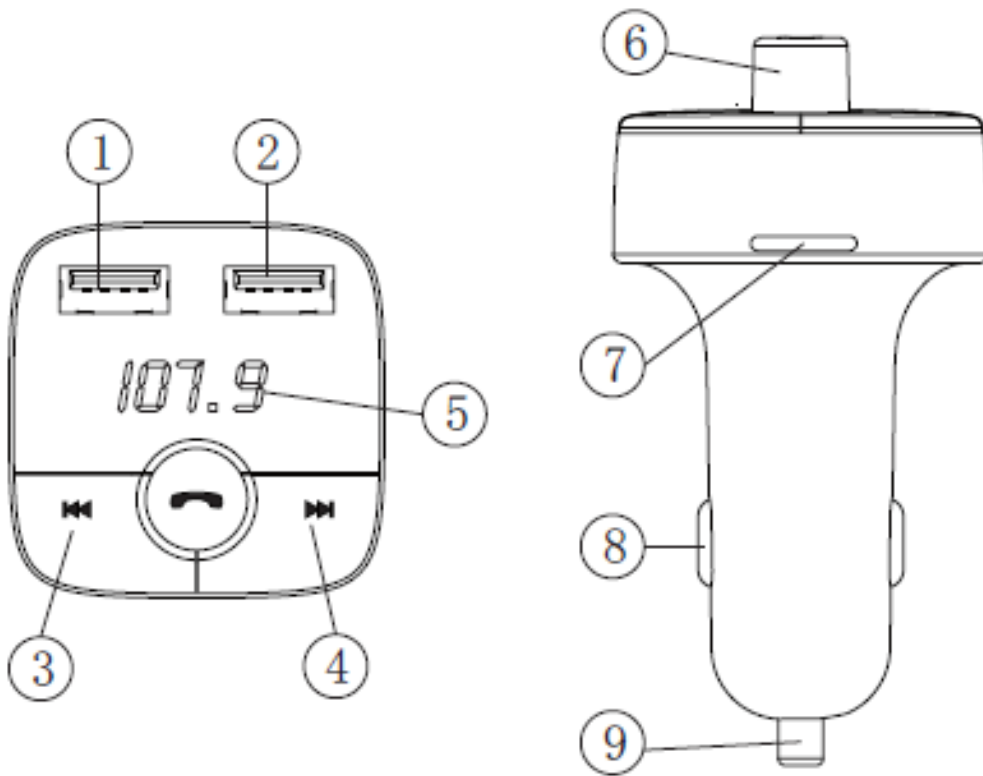


Bluetooth FM Transmitter

User Manual

Product Picture



1. USB port
2. USB port (5V-QC3.0 charging)
3. Last song/ CH button
4. Next song/Mode button
5. LED light
6. Multi-function button (Short press to play/pause/answer/hang up/; long press to turn be conversation into private mode; turn right is volume +, turn left is volume -)
7. TF port
8. The negative power of shrapnel
9. The positive power of shrapnel



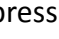
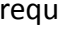

Function

1. Real monitor the voltage of the car accumulator, mention the voltage very 10seconds.
2. USB Charging port alone, can supply Max 16W/5V-QC3.0 charging power
3. Ultra small body, adjustable angle to adapt to all kinds of cars, do not interfere with driving.
4. 88.1MHZ ~~~107.9MHZ frequency range, can choose any frequency (when frequency point with

car radio frequency is same can work normally)

5. Automatic frequency memory.

Button operation

1. “”button: Play/Pause/Answer/Hang up Button, When incoming the call, short press is to answer the phone, after the phone call is finished ,short this button is also to hang up the call; When incoming the phone call , long press the button to reject to answer the phone call. Double press this button is to call somebody back. When playing music, short press for pause; Turning left for volume down, turning right for volume up. When in CH mode, turning left for frequency down, turning right for frequency up.
2. “”button: last song/CH switch button. When you need to change the frequency, Please long press“” button to enter the CH Mode 【The led light will be flashing】 , Then please change the frequency by the adjusting knob. When in the playing music mode, short press “” for play last song.
3. “”Button: Next song: When in playing music mode, short press for play next song; Long press is to switch the TF card Mode or USB Mode.
4. Charging operation: USB port2 is for the USB QC 3.0 charging port. Plug into the charging line and connect with the phone’s USB port can charging for the smart phone.

Bluetooth connection method of operation:

1. When the machine is inserted into the cigarette lighter of the car, the machine is switched on and prompted (the Bluetooth device is ready to connect), the phone can search for the Bluetooth device, "...."select and connect with the Bluetooth"...." will connect directly, when the device is connected, it prompt (Bluetooth device connected successfully).
2. When the device is successfully connected with the phone, it will automatically open the phone music player and play the phone music , the key operation function please refer to “ function operation “.

Precautions

1. Please use the specified voltage, DC 12 ~ ~ 24V, if the use other voltage may cause the machine is not working properly, or may damage the product
2. When starting or igniting the car, please do not insert the product into the car cigarette lighter, otherwise it may cause the machine to burn out.
3. Please remove the cigarette lighter when not use for a long time
4. please use car speaker to adjust the volume , do not adjust the too large volume of the machine , or some music may produce violent sound and distortion of the phenomenon, if playback of the music is

- violent or distortion, adjust to reduce the car music player output volume, it can return to normal.
5. Select the frequency, try to avoid the local signal strong radio to avoid interfere the sound quality.
 6. If the car does not receive music, check whether the frequency settings of the machine and car are the same, or try to increase the output volume of the machine by pressing and holding the volume key.
 7. Do not allow the machine to charge for multiple devices at the same time to avoid to over the withstand current to burn the machine.
 8. When the phone or tablet is using the machine for charging, try to avoid long time use of mobile phones or tablet.

Product parameter

Input Voltage	DC 12V~24V MAX 9-26V
Input Voltage	≤ DC 5.2V±5%
Work Current	<50mA (When do not charge for mobile phone)
Charging output current	3A
Maximum rated power	16W
Transmission Rate	32K bps 320K
FM Frequency range	88.1—107.9MHz, 0.1MHz as first grade
Frequency distortion degree	<0.1%
frequency response	20Hz-15KHz
Stereo Isolation	>60dB
FM transmission distance	<3 meters
Bluetooth chip	JR CW6621E single mode
Bluetooth transmission effective distance	≤6 meter
Bluetooth Version	Version4.2+EDR
Support Bluetooth protocol	A2DP/AVRCP/HSP/HFP
Bluetooth microphone	-40dB
Bluetooth microphone effective distance	0.5-2M
Audio decoding format	MP3
Automobile battery voltage detection	DC 12V-24V

NOTE: This equipment has been tested and found to comply with the limits for a Class B digital device, pursuant to part 15 of the FCC Rules. These limits are designed to provide reasonable protection against harmful interference in a residential installation. This equipment generates uses and can radiate radio frequency energy and, if not installed and used in accordance with the instructions, may cause harmful interference to radio communications. However, there is no guarantee that interference will not occur in a particular installation. If this equipment does cause harmful interference to radio or television reception, which can be determined by turning the equipment off and on, the user is encouraged to try to correct the interference by one or more of the following measures:

- Reorient or relocate the receiving antenna.
- Increase the separation between the equipment and receiver.
- Connect the equipment into an outlet on a circuit different from that to which the receiver is connected.
- Consult the dealer or an experienced radio/TV technician for help

Changes or modifications not expressly approved by the party responsible for compliance could void the user's authority to operate the equipment.

This device complies with Part 15 of the FCC Rules. Operation is subject to the following two conditions:

- (1) this device may not cause harmful interference, and
- (2) this device must accept any interference received, including interference that may cause undesired operation.