

USER MANUAL

FABRIC WATER-RESISTANT BLUETOOTH SPEAKER

Feature:

- Fabric grills, fabulous touch.
- IPX6 water-resistant, on matter it is rainy day or in shower, enjoy your favorite music in any time and any where.
- Light weight, hook designed for convenience and light weight carrying.
- Compatible with all Bluetooth enabled smartphones, tables and laptops.

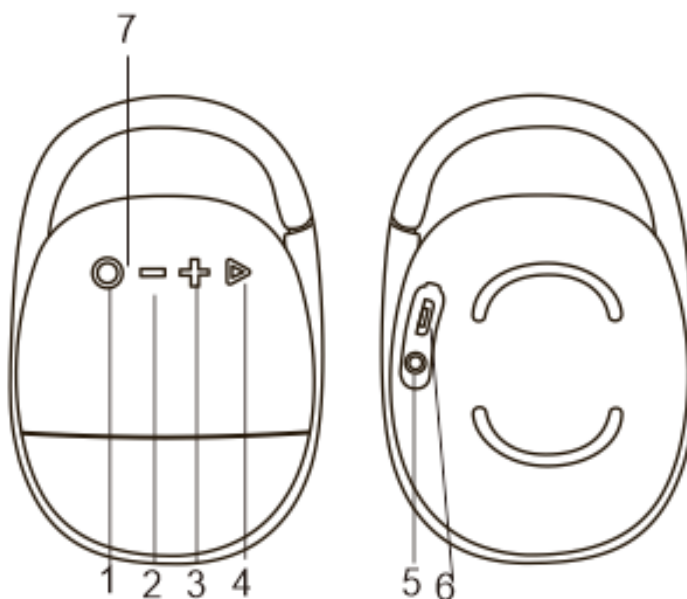
Package includes:

Bluetooth speaker x1

User manual x1

Charging cable x1

Key and Connection:



1. Power ON/OFF
2. Volume-/ Previous
3. Volume+/ Skip
4. Play/Pause
5. Aux in port
6. Charging port
7. LED indicator

Easy pairing(first time pairing):

1. Power on Bluetooth speaker.
2. Bluetooth speaker will automatically enter pairing mode(flashing blue light)
3. Search for “Pairing name” on pairing device (refer to device users manual)
4. Enter password/pin is “0000” if required
5. The Pairing process will finish automatically.(blue when process is complete)

Manual pairing:

1. With Bluetooth speaker off. Press and hold “ON/OFF” button and power up Bluetooth speaker.
2. Repeat easy pairing step 3-5

Bluetooth speaker will turn off automatically if not paired within 5 minutes

Music control:

Play: press play/pause button

Pause: press the play/pause button

Increase volume: long press the volume+ button

Decrease volume: long press the volume- button

Next song: press skip button

Previous song: press previous button

Charging the Battery:

Please use provided Micro USB cable for charging. Plug one side to USB port of the unit and the other side connect with the PC, wall charger or other 5V charging devices.

SPECIFICATION

Bluetooth: 5.0

Li-ion battery: 3.7V/1200mAh

Speaker: D45mm 4Ω 3W

Distortion factor: ≤1%

Frequency range:100HZ-- 20KHZ

SNR : ≥95dB

Operating frequency range: 2.40GHz-2.48GHz

Charging time: 2 hours

Playing time: 5 hours

Product size:

Weight:

Wireless range: 30 feet

(wireless range varies depends on environment and battery level)

In order to maintain the power of battery, you need to charge and discharge every 3 months, even you do not use it.

FCC STATEMENT :

This device complies with Part 15 of the FCC Rules. Operation is subject to the following two conditions:

- (1) This device may not cause harmful interference, and
- (2) This device must accept any interference received, including interference that may cause undesired operation.

Warning: Changes or modifications not expressly approved by the party responsible for compliance could void the user's authority to operate the equipment.

NOTE: This equipment has been tested and found to comply with the limits for a Class B digital device, pursuant to Part 15 of the FCC Rules. These limits are designed to provide reasonable protection against harmful interference in a residential installation. This equipment generates uses and can radiate radio frequency energy and, if not installed and used in accordance with the instructions, may cause harmful interference to radio communications. However, there is no guarantee that interference will not occur in a particular installation. If this equipment does cause harmful interference to radio or television reception, which can be determined by turning the equipment off and on, the user is encouraged to try to correct the interference by one or more of the following measures:

- Reorient or relocate the receiving antenna.
- Increase the separation between the equipment and receiver.
- Connect the equipment into an outlet on a circuit different from that to which the receiver is connected.
- Consult the dealer or an experienced radio/TV technician for help.

RF warning statement:

The device has been evaluated to meet general RF exposure requirement. The device can be used in portable exposure condition without restriction.