

| Input Voltage | Controller Max Load | Controller Size                               |
|---------------|---------------------|---|
| 12V DC        | 3 amps              | 1.75" x 0.8" x 0.35"<br>(44.5mm x 20mm x 9mm) |

## Warranty and Disclaimer

**Within One year after the purchase date, the original buyer** may return any XKchrome controller that has failed due to a defect in materials or workmanship.

Installation of this product must be performed by a licensed professional. Should the failure of the product be the result of damage occurring as a result of improper installation, alteration of the product or an act or omission on the part of the consumer, this warranty is void. XKGLOW Lighting shall not be responsible for any consequential damages which arise from the use and/or installation of the product. If the kit is installed in any manner other than specified, XKGLOW Lighting reserves the right to deny any warranty claims at the discretion of the technical support department. Any product return must include the original packaging, invoice number and a statement of the alleged defect. Upon receipt of the returned product, the company will test the product for defect. If the results of the testing do not support the warranty claim, do not reveal any defect or indicate consumer negligence in the installation and handling of the product, then the product will be returned to you and you will be charged a reshipping fee. If the product is returned from an address within the continental United States, within the first 30 days after purchase, and is found to be defective, XKGLOW Lighting will exchange or refund the original purchase expense. This offer does not extend to the cost for shipping charges on any international packages.

## Additional Disclaimer Terms

Please check your local and state laws for the proper use of this product.

- Improper installation of electrical products such as lighting may cause damage to any vehicle or device to which the improperly handled or installed lighting is attached.
- Improperly installed product may cause electrical injury to persons.
- It is recommended that the kit should be installed by a licensed professional.
- XKGLOW assumes no liability for the installation of the product.
- Warranty or liability will not exceed the product purchase price, which shall be buyer's sole and exclusive remedy.

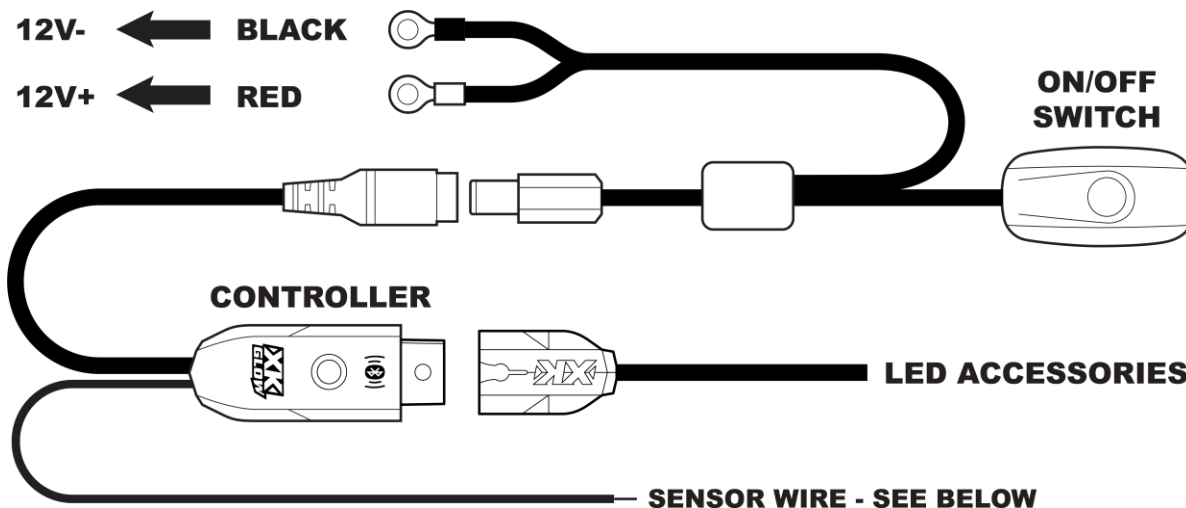
## Return/Exchange Procedure

1. Email [xk@xkglow.com] to notify us of the product issue as well as the item number and name of customer on invoice.
2. We will send you the trouble-shooting guide to fix the issue, or to narrow down which of the component(s) need to be replaced. If the issue still exists, we will ask you to send back the defective items to be replaced.
3. Please send the returned item as instructed, along with claims and a telephone number where you can be reached.
4. After the returned item(s) have been accepted and inspected, we will issue a refund or replace the items ASAP. For refunds, item(s) must be sent to XKGLOW within 14 days from date of purchase. Original shipping charges are not refundable.

We always stand behind our products and are committed to our customers! For questions you may have, please contact [xk@xkglow.com](mailto:xk@xkglow.com). We normally respond within 24 hours. (Monday-Friday).

### Install Instructions

1. **Test controller before mounting:** As shown below, connect the 2 ring terminals to the battery. The black is the negative wire and the red is the positive wire. Plug the controller into the switch and power the ON/OFF switch ON. A blue led should light up on the switch. If the controller does not power on, please contact us for troubleshooting.



2. **Connect the lights:** As shown above, connect your LED accessories to the controller. Use 1 to 3 splitter (XK-4P-SPLIT) to reach multiple accessories.
3. **Connect sensor wire to 12V:** Connect the RED sensor wire to a 12V source. This is a user definable function controlled via the XKchrome App. Example- If you would like all of your LEDs to turn red when you brake, tap the sensor wire into the positive brake wire.
4. **Secure all wires and connectors:** Use zip ties and wire clips to neatly mount and hide any loose wires. Use double sided tape to hold male and female plugs together. Make sure wires are not touching anything hot or located on moving parts. Locate the ON/OFF switch in a convenient location.
5. **Connect to 12V DC power:** Firmly connect the wire terminals to the positive and negative poles of the battery. Plug the controller into the power wire harness. Power on, download the **XKchrome** App, and enjoy!



**Please note:** There are multiple XKGLOW apps on the App Store. Only the XKchrome App will work with the XKchrome Bluetooth Controller. The App icon is pictured here.

## **FCC Statement**

### **15.19**

1. This device complies with Part 15 of the FCC Rules. Operation is subject to the following two conditions:

- (1) This device may not cause harmful interference.
- (2) This device must accept any interference received, including interference that may cause undesired operation.

### **15.21**

Note: The grantee is not responsible for any changes or modifications not expressly approved by the party responsible for compliance. Such modifications could void the user's authority to operate the equipment.

### **15.105(b)**

**NOTE:** This equipment has been tested and found to comply with the limits for a Class B digital device, pursuant to part 15 of the FCC Rules. These limits are designed to provide reasonable protection against harmful interference in a residential installation.

This equipment generates uses and can radiate radio frequency energy and, if not installed and used in accordance with the instructions, may cause harmful interference to radio communications. However, there is no guarantee that interference will not occur in a particular installation. If this equipment does cause harmful interference to radio or television reception, which can be determined by turning the equipment off and on, the user is encouraged to try to correct the interference by one or more of the following measures:

- Reorient or relocate the receiving antenna.
- Increase the separation between the equipment and receiver.
- Connect the equipment into an outlet on a circuit different from that to which the receiver is connected.
- Consult the dealer or an experienced radio/TV technician for help

## **ISED compliance statement**

This device contains licence-exempt transmitter(s)/receiver(s) that comply with Innovation, Science and Economic Development Canada's licence-exempt RSS(s). Operation is subject to the following two conditions:

- (1) This device may not cause interference.
- (2) This device must accept any interference, including interference that may cause undesired operation of the device.

L'émetteur/récepteur exempt de licence contenu dans le présent appareil est conforme aux CNR d'Innovation, Sciences et Développement économique Canada applicables aux appareils radio exempts de licence. L'exploitation est autorisée aux deux conditions suivantes :

- (1) L'appareil ne doit pas produire de brouillage;
- (2) L'appareil doit accepter tout brouillage radioélectrique subi, même si le brouillage est susceptible d'en compromettre le fonctionnement.

### **ISED Radiation Exposure statement**

This equipment complies with IC RSS-102 radiation exposure limits set forth for an uncontrolled environment. This equipment should be installed and operated with minimum distance 0cm between the radiator and your body.

Cet équipement est conforme aux limites d'exposition aux radiations IC CNR-102 établies

pour un environnement non contrôlé. Cet équipement doit être installé et utilisé avec une distance minimale de 0cm entre le radiateur et votre corps.

## **RF Exposure Statement**

This equipment complies with FCC radiation exposure limits set forth for an uncontrolled environment. This equipment should be installed and operated with minimum distance of 20 cm between the radiator and your body.