

RF Test Report

Applicant : Superior Communications DBA PureGear
Product Type : PURECAM
Trade Name : PureGear
Model Number : 07614PG
Test Specification : FCC 47 CFR PART 15 SUBPART C
ANSI C63.10:2013
Receive Date : Oct. 23, 2017
Test Period : Dec. 15, 2017 ~ Jan. 08, 2018
Issue Date : Feb. 06, 2018

Issue by

A Test Lab Techno Corp.
No. 140-1, Changan Street, Bade District,
Taoyuan City 33465, Taiwan (R.O.C)
Tel : +886-3-2710188 / Fax : +886-3-2710190



Taiwan Accreditation Foundation accreditation number: 1330

Test Firm MRA designation number: TW0010

Note: This report shall not be reproduced except in full, without the written approval of A Test Lab Techno Corp. This document may be altered or revised by A Test Lab Techno Corp. personnel only, and shall be noted in the revision section of the document. The client should not use it to claim product endorsement by TAF, or any government agencies. The test results in the report only apply to the tested sample.



Revision History

Rev.	Issue Date	Revisions	Revised By
00	Feb. 06, 2018	Initial Issue	Janet Chao

Verification of Compliance

Issued Date: Feb. 06, 2018

Applicant : Superior Communications DBA PureGear
Product Type : PURECAM
Trade Name : PureGear
Model Number : 07614PG
FCC ID : 2AIIIF-07614PG
EUT Rated Voltage : DC 5V
Test Voltage : 120 Vac / 60 Hz
Applicable Standard : FCC 47 CFR PART 15 SUBPART C
ANSI C63.10:2013
Test Result : Complied
Performing Lab. : A Test Lab Techno Corp.
No. 140-1, Changan Street, Bade District,
Taoyuan City 33465, Taiwan (R.O.C)
Tel : +886-3-2710188 / Fax : +886-3-2710190
Taiwan Accreditation Foundation accreditation number: 1330
<http://www.atl-lab.com.tw/e-index.htm>



A Test Lab Techno Corp. tested the above equipment in accordance with the requirements set forth in the above standards. All indications of Pass/Fail in this report are opinions expressed by A Test Lab Techno Corp. based on interpretations and/or observations of test results. Measurement Uncertainties were not taken into account and are published for informational purposes only. The test results show that the equipment tested is capable of demonstrating compliance with the requirements as documented in this report.

Approved By : Jet Lu Reviewed By : Eric Ou Yang
(Manager) (Jet Lu) (Testing Engineer) (Eric Ou Yang)



TABLE OF CONTENTS

1	General Information	5
2	EUT Description.....	6
3	Test Methodology.....	7
	3.1. Mode of Operation.....	7
	3.2. EUT Exercise Software	7
	3.3. Configuration of Test System Details.....	8
	3.4. Test Instruments	9
	3.5. Test Site Environment.....	10
4	Measurement Procedure.....	11
	4.1. AC Power Line Conducted Emission Measurement.....	11
	4.2. Transmitter Radiated Emissions Measurement.....	13
	4.3. Maximum Conducted Output Power Measurement.....	17
	4.4. 6dB RF Bandwidth Measurement.....	18
	4.5. Maximum Power Density Measurement.....	19
	4.6. Out of Band Conducted Emissions Measurement.....	20
	4.7. Antenna Measurement	20
5	Test Results	21
	Annex A. Conducted Emission Test Results	21
	Annex B. Transmitter Radiated Emissions Test Results	23
	Annex C. Conducted Test Results	34



1 General Information

1.1 Summary of Test Result

Standard	Item	Result	Remark
15.207	AC Power Conducted Emission	PASS	-----
15.247(d)	Transmitter Radiated Emissions	PASS	-----
15.247(b)(3)	Max. Output Power	PASS	-----
15.247(a)(2)	6dB RF Bandwidth	PASS	-----
15.247(e)	Maximum Power Spectral Density	PASS	-----
15.247(d)	Out of Band Conducted Spurious Emission	PASS	-----
15.203	Antenna Requirement	PASS	-----

The test results of this report relate only to the tested sample(s) identified in this report. Manufacturer or whom it may concern should recognize the pass or fail of the test result.

1.2 Measurement Uncertainty

Test Item	Frequency Range	Uncertainty (dB)
Conducted Emission	9kHz ~ 150KHz	2.7
	150kHz ~ 30MHz	2.7
Radiated Emission	9kHz ~ 30MHz	1.7
	30MHz ~ 1000MHz	5.7
	1000MHz ~ 18000MHz	5.5
	18000MHz ~ 26500MHz	4.8
	26500MHz ~ 40000MHz	4.8
Conducted Output Power	+0.27 dB / -0.28 dB	
RF Bandwidth	4.96%	
Power Spectral Density	+0.71 dB / -0.77 dB	



2 EUT Description

Applicant	Superior Communications DBA PureGear 5082 4th Street Irwindale California USA, Irwindale, California, 91706, United States	
Manufacturer	Shenzhen Auto Range Tech Co., Limited 5/F, Bldg. A1, Atomic Power Industrial Park, Fuming, Guanlan, Shenzhen, Guangdong. P. R. China.	
Product Type	PURECAM	
Trade Name	PureGear	
Model No.	07614PG	
FCC ID	2AIIIF-07614PG	
IMEI No.	35316305670667	
Frequency Range	2402 ~ 2480 MHz	
Modulation Type	GFSK	
Operate Temp. Range	-10 ~ +70 °C	
Antenna information	Type	Max. Gain (dBi)
	Internal Antenna	2
RF Output Power	0.00067 W	



3 Test Methodology

3.1. Mode of Operation

Decision of Test ATL has verified the construction and function in typical operation. All the test modes were carried out with the EUT in normal operation, which was shown in this test report and defined as:

Test Mode
Mode 1: Transmit mode
Mode 2: Bluetooth LE Continuous TX mode

Software used to control the EUT for staying in continuous transmitting mode was programmed.

After verification, all tests were carried out with the worst case test modes as shown below except radiated spurious emission below 1GHz and power line conducted emissions below 30MHz, which worst case was in TX mode only.

By preliminary testing and verifying three axis (X, Y and Z) position of EUT transmitted status, it was found that "X axis" position was the worst, then the final test was executed the worst condition and test data were recorded in this report.

Note: The EUT was programmed to be in continuously transmitting mode and the transmit duty cycle is not less than 98%.

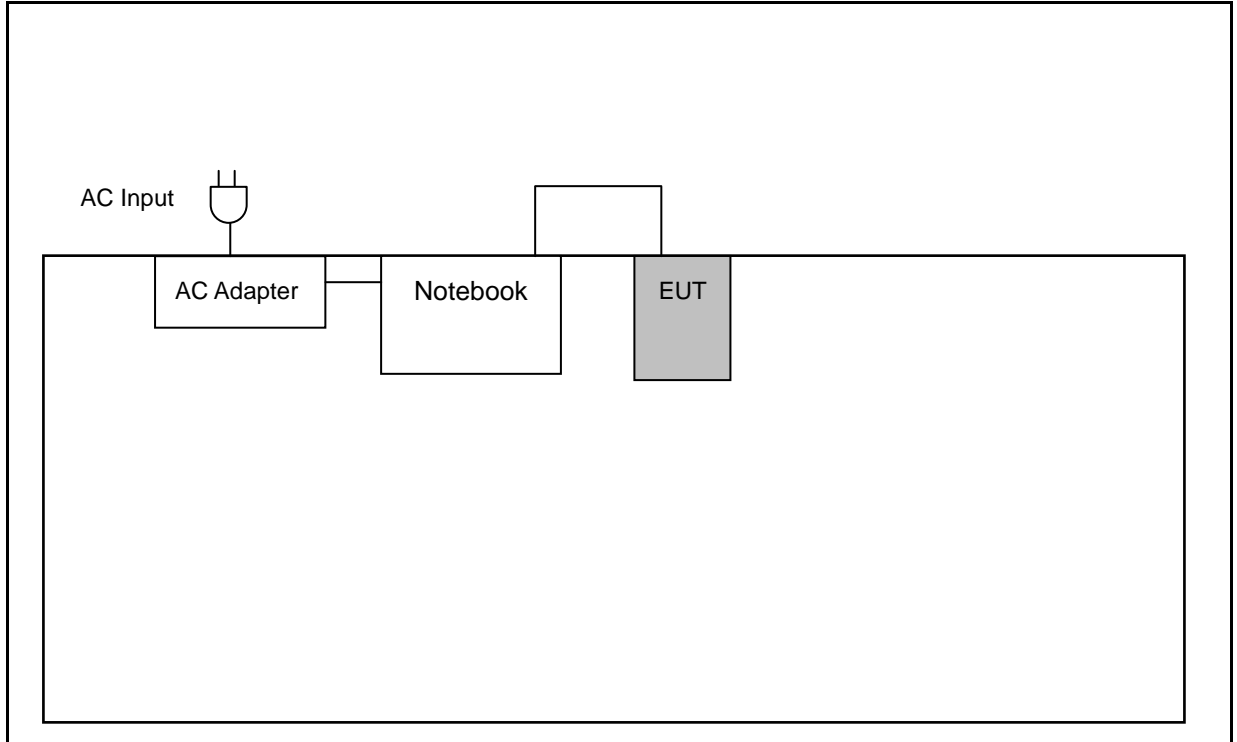
3.2. EUT Exercise Software

1	Setup the EUT shown on "Configuration of Test System Details."
2	Turn on the power of all equipment.
3	Turn on TX function
4	EUT run test program.

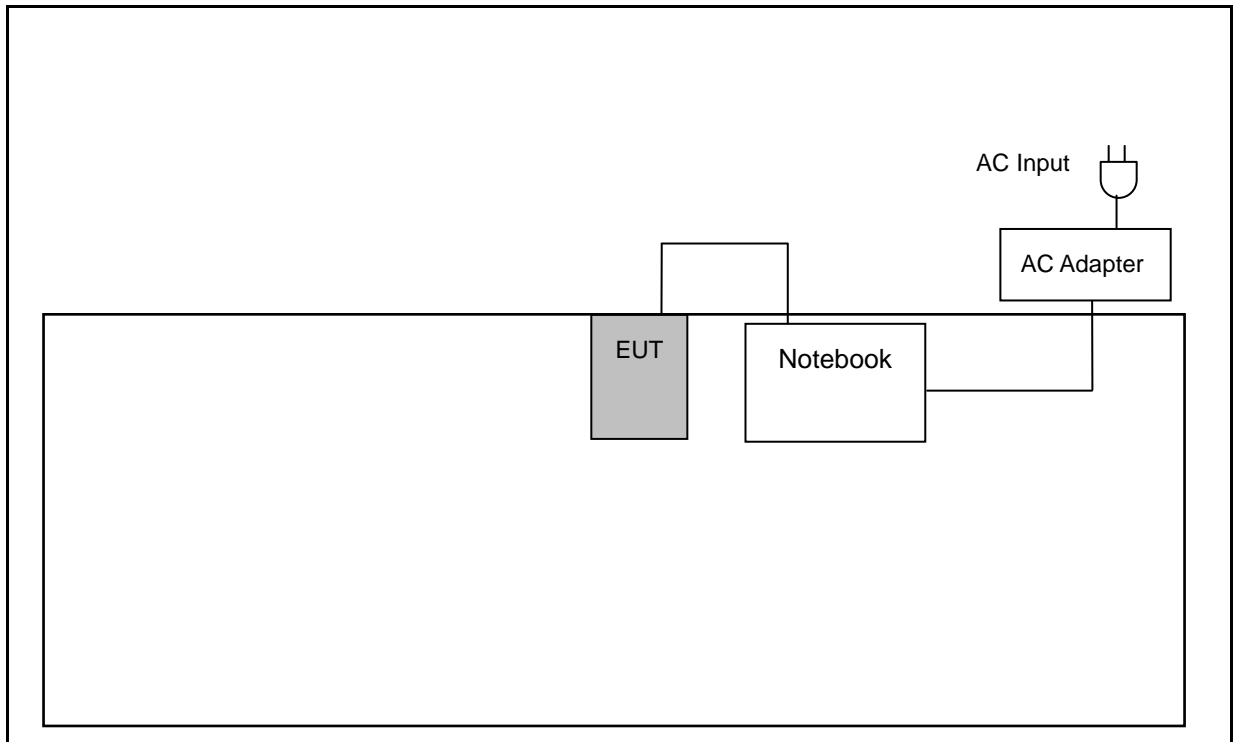
Measurement Software	
1	EZ-EMC Ver. ATL-03A1-1
2	EZ-EMC Ver ATL-ITC-3A1-1

3.3. Configuration of Test System Details

Conducted Emissions



Radiated Emissions





3.4. Test Instruments

For Conducted Emission

Equipment	Manufacturer	Model Number	Serial Number	Cal. Date	Cal. Period
Test Receiver	R&S	ESCI	100367	05/18/2017	1 year
LISN	R&S	ENV216	101040	04/01/2017	1 year
LISN	R&S	ENV216	101041	03/15/2017	1 year
RF Cable	Woken	00100D1380194M	TE-02-02	05/19/2017	1 year
Test Site	ATL	TE02	TE02	N.C.R.	-----

For Radiated Emissions

Equipment	Manufacturer	Model Number	Serial Number	Cal. Date	Cal. Period
RF Pre-selector (9KHz~1GHz)	Agilent	N9039A	MY46520256	04/24/2017	1 year
Spectrum Analyzer (3Hz~44GHz)	Agilent	E4446A	MY46180578	04/24/2017	1 year
Pre Amplifier (1~26.5GHz)	Agilent	8449B	3008A02237	10/16/2017	1 year
Pre Amplifier (100KHz~1.3GHz)	Agilent	8447D	2944A11119	01/12/2017	1 year
Pre Amplifier (26.5~40GHz)	EMCI	EMC2654045	980028	08/29/2017	1 year
Pre Amplifier (1~26.5GHz)	EMCI	EMC012645SE	980289	01/16/2017	1 year
Broadband Antenna	Schwarzbeck	VULB9168	416	10/26/2017	1 year
Horn Antenna (1~18GHz)	SCHWARZBECK MESS-ELEKTRONIK	BBHA9120D	9120D-550	06/22/2017	1 year
Horn Antenna (18~40GHz)	ETS	3116	86467	09/11/2017	1 year
Loop Antenna	COM-POWER CORPORATION	AL-130	121014	01/26/2017	1 year
Microwave Cable	EMCI	EMC102-KM-KM-1 4000	151001	02/20/2017	1 year
Microwave Cable	EMCI	EMC-104-SM-SM- 14000	140202	02/20/2017	1 year
Microwave Cable	EMCI	EMC104-SM-SM-6 00	140301	02/20/2017	1 year
Test Site	ATL	TE01	888001	08/29/2017	1 year

Note: N.C.R. = No Calibration Request.



For Conducted

Equipment	Manufacturer	Model Number	Serial Number	Cal. Date	Cal. Period
Power Sensor	Anritsu	MA2411B	1126022	08/28/2017	1 year
Power Meter	Anritsu	ML2495A	1135009	08/28/2017	1 year
Spectrum Analyzer (3Hz~13.2GHz)	Agilent	E4445A	MY45300744	12/11/2017	1 year
Microwave Cable	EMCI	EMC104-SM-SM-1 500	140303	02/22/2017	1 year
Spectrum Analyzer (9KHz~26.5GHz)	Agilent	E4408B	MY45107753	08/14/2017	1 year
Test Site	ATL	TE05	TE05	N.C.R.	-----

Note: N.C.R. = No Calibration Request.

3.5. Test Site Environment

Items	Required (IEC 60068-1)	Actual
Temperature (°C)	15-35	26
Humidity (%RH)	25-75	60
Barometric pressure (mbar)	860-1060	950

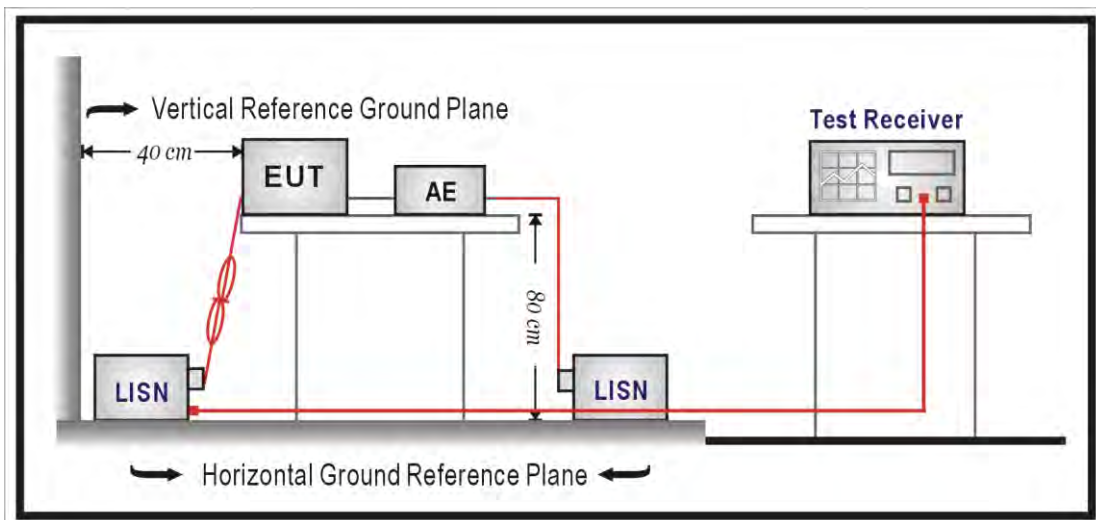
4 Measurement Procedure

4.1. AC Power Line Conducted Emission Measurement

■ Limit

Frequency (MHz)	Quasi-peak	Average
0.15 - 0.5	66 to 56	56 to 46
0.50 - 5.0	56	46
5.0 - 30.0	60	50

■ Test Setup



■ Test Procedure

The EUT and simulators are connected to the main power through a line impedance stabilization network (L.I.S.N.). This provides a $50\Omega // 50\mu\text{H}$ coupling impedance for the measuring equipment. The peripheral devices are also connected to the main power through a LISN that provides a $50\Omega // 50\mu\text{H}$ coupling impedance with 50ohm termination.

Tabletop device shall be placed on a non-conducting platform, of nominal size 1 m by 1.5 m, raised 80 cm above the reference ground plane. The wall of screened room shall be located 40cm to the rear of the EUT. Other surfaces of tabletop or floor standing EUT shall be at least 80cm from any other ground conducting surface including one or more LISNs. For floor-standing device shall be placed under the EUT with a 12mm insulating material.

Conducted emissions were investigated over the frequency range from 0.15 MHz to 30 MHz using a resolution bandwidth of 9 kHz. The equipment under test (EUT) shall be meet the limits in section 4.1, as applicable, including the average limit and the quasi-peak limit when using respectively, an average detector and quasi-peak detector measured in accordance with the methods described of related standard. When all of peak value were complied with quasi-peak and average limit from 150kHz to 30MHz then quasi-peak and average measurement was unnecessary.

The AMN shall be placed 0,8 m from the boundary of the unit under test and bonded to a ground reference plane for AMNs mounted on top of the ground reference plane. This distance is between the closest points of the AMN and the EUT. All other units of the EUT and associated equipment shall be at least 0,8 m from the AMN. If the mains power cable is longer than 1m then the cable shall be folded back and forth at the centre of the lead to form a bundle no longer than 0.4m. All of interconnecting cables that hang closer than 40cm to the ground plane shall be folded back and forth in the center forming a bundle 30 cm to 40 cm long. All of EUT and AE shall be separate place more than 0.1m. All 50Ω ports of the LISN shall be resistively terminated into 50Ω loads when not connected to the measuring instrument.

If the reading of the measuring receiver shows fluctuations close to the limit, the reading shall be observed for at least 15 s at each measurement frequency; the higher reading shall be recorded with the exception of any brief isolated high reading which shall be ignored.

4.2. Transmitter Radiated Emissions Measurement

■ Limit

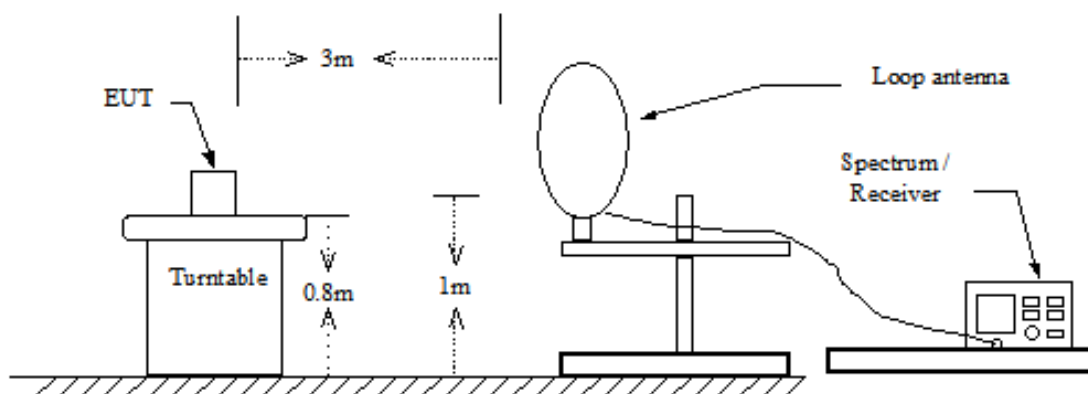
According to §15.209(a), except as provided elsewhere in this subpart, the emissions from an intentional radiator shall not exceed the field strength levels specified in the following table:

Frequency (MHz)	Field Strength ($\mu\text{V}/\text{m}$ at meter)	Measurement Distance (meters)
0.009 – 0.490	$2400 / F$ (kHz)	300
0.490 – 1.705	$24000 / F$ (kHz)	30
1.705 – 30.0	30	30
30 - 88	100**	3
88-216	150**	3
216-960	200**	3
Above 960	500	3

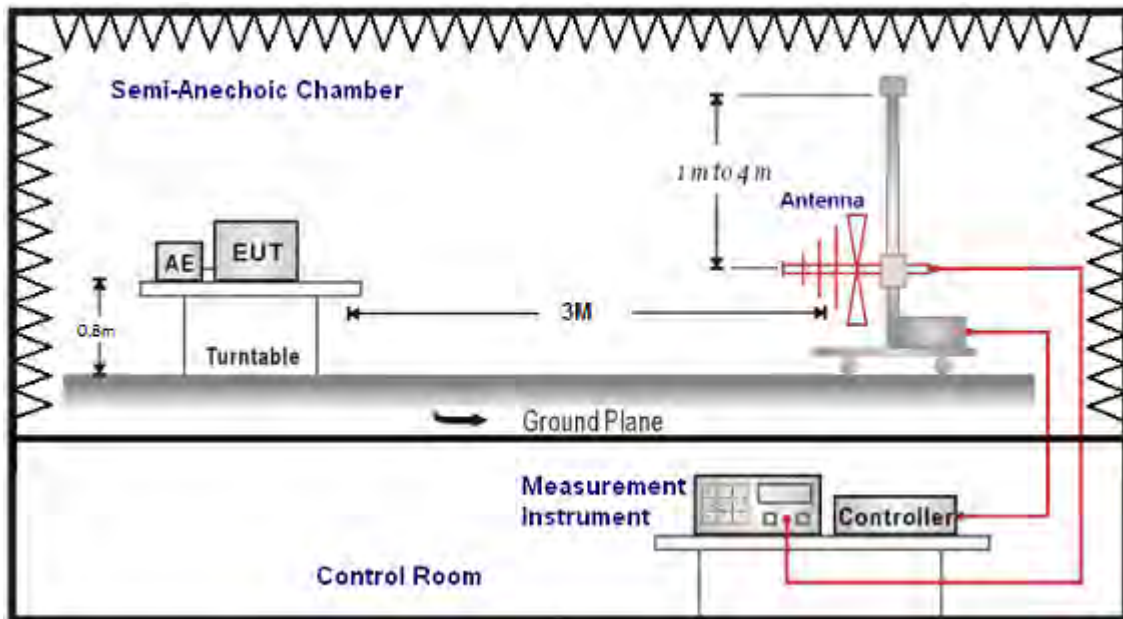
** Except as provided in paragraph (g), fundamental emissions from intentional radiators operating under this Section shall not be located in the frequency bands 54-72 MHz, 76-88 MHz, 174-216 MHz or 470-806 MHz. However, operation within these frequency bands is permitted under other sections of this Part, e.g., Sections 15.231 and 15.241.

■ Setup

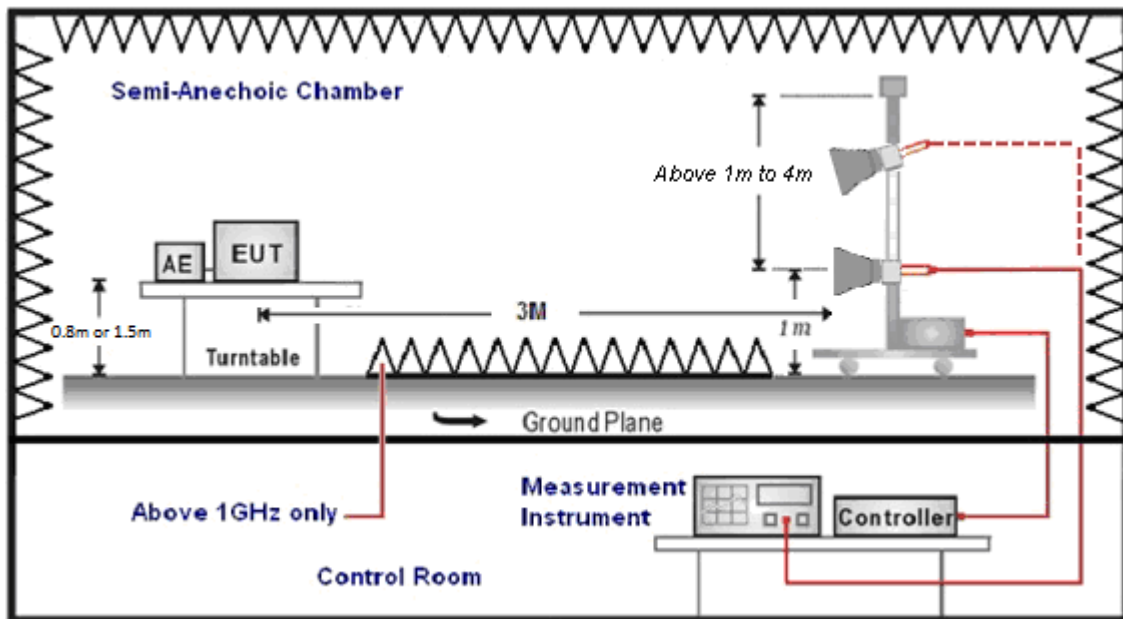
9kHz ~ 30MHz



Below 1GHz



Above 1GHz





■ **Test Procedure**

Final radiation measurements were made on a three-meter, Semi Anechoic Chamber. The EUT system was placed on a nonconductive turntable which is 0.8 or 1.5 meters height, top surface 1.0 x 1.5 meter. The spectrum was examined from 250 MHz to 2.5 GHz in order to cover the whole spectrum below 10th harmonic which could generate from the EUT. During the test, EUT was set to transmit continuously & Measurements spectrum range from 9 kHz to 26.5 GHz is investigated.

For measurements below 1 GHz the resolution bandwidth is set to 100 kHz for peak detection measurements or 120 kHz for quasi-peak detection measurements. Peak detection is used unless otherwise noted as quasi-peak.

For measurements above 1 GHz the resolution bandwidth is set to 1 MHz, and then the video bandwidth is set to 1 MHz for peak measurements and 10 Hz for average measurements when Duty cycle >98% / 1/T for average measurements when Duty cycle <98%. A nonconductive material surrounded the EUT to supporting the EUT for standing on three orthogonal planes. At each condition, the EUT was rotated 360 degrees, and the antenna was raised and lowered from one to four meters to find the maximum emission levels. Measurements were taken using both horizontal and vertical antenna polarization.

SCHWARZBECK MESS-ELEKTRONIK Biconilog Antenna at 3 Meter and the SCHWARZBECK Double Ridged Guide Antenna was used in frequencies 1 – 26.5 GHz at a distance of 1 meter. All test results were extrapolated to equivalent signal at 3 meters utilizing an inverse linear distance extrapolation Factor (20dB/decade).

For testing above 1GHz, the emission level of the EUT in peak mode was 20dB lower than average limit (that means the emission level in peak mode also complies with the limit in average mode), then testing will be stopped and peak values of EUT will be reported, otherwise, the emissions will be measured in average mode again and reported.

Appropriate preamplifiers were used for improving sensitivity and precautions were taken to avoid overloading or desensitizing the spectrum analyzer. No post – detector video filters were used in the test.

The spectrum analyzer's 6 dB bandwidth was set to 1 MHz, and the analyzer was operated in the peak detection mode, for frequencies both below and up 1 GHz. The average levels were obtained by subtracting the duty cycle correction factor from the peak readings.

The following procedures were used to convert the emission levels measured in decibels referenced to 1 microvolt (dBuV) into field intensity in micro volts pre meter (uV/m).

The actual field intensity in decibels referenced to 1 microvolt in to field intensity in micro volts per meter (dBuV/m).



The actual field intensity in referenced to 1 microvolt per meter (dBuV/m) is determined by algebraically adding the measured reading in dBuV, the antenna factor (dB), and cable loss (dB) and Subtracting the gain of preamplifier (dB) is auto calculate in spectrum analyzer.

(1) $\text{Amplitude (dBuV/m)} = \text{FI (dBuV)} + \text{AF (dBuV)} + \text{CL (dBuV)} - \text{Gain (dB)}$

FI= Reading of the field intensity.

AF= Antenna factor.

CL= Cable loss.

P.S Amplitude is auto calculate in spectrum analyzer.

(2) $\text{Actual Amplitude (dBuV/m)} = \text{Amplitude (dBuV)} - \text{Dis(dB)}$

The FCC specified emission limits were calculated according the EUT operating frequency and by following linear interpolation equations:

(a) For fundamental frequency : Transmitter Output < +30dBm

(b) For spurious frequency : Spurious emission limits = fundamental emission limit /10

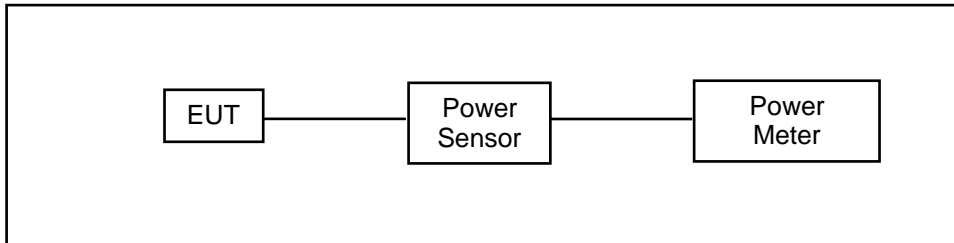
Data of measurement within this frequency range without mark in the table above means the reading of emissions are attenuated more than 20dB below the permissible limits or the field strength is too small to be measured.

4.3. Maximum Conducted Output Power Measurement

■ Limit

For systems using digital modulation in the 2400-2483.5MHz, the limit for peak output power is 30dBm.

■ Test Setup



■ Test Procedure

The testing follows the Measurement Procedure of ANSI C63.10-2013 section 11.9.2.3 Method AVGPM.

The tests below are run with the EUT's transmitter set at high power in TX mode. The EUT is needed to force selection of output power level and channel number. While testing, EUT was set to transmit continuously. Remove the Subjective device's antenna and connect the RF output port to power sensor..

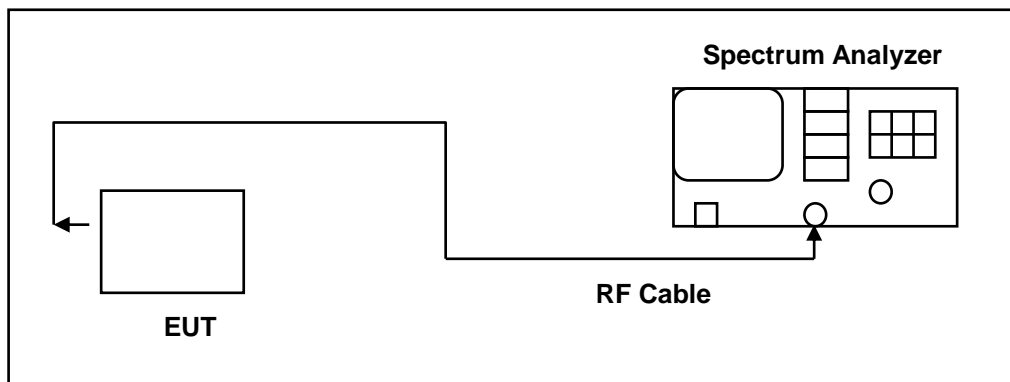
4.4. 6dB RF Bandwidth Measurement

■ Limit

6dB RF Bandwidth: Systems using digital modulation techniques may operate in the 2400–2483.5 MHz bands. The minimum 6 dB band-width shall be at least 500 kHz.

99 % Occupied Bandwidth: N/A

■ Test Setup



■ Test Procedure

The EUT tested to DTS test procedure of KDB558074D01 for compliance to FCC 47CFR 15.247 requirements.

6dB RF Bandwidth: The antenna port of the EUT was connected to the input of a spectrum analyzer. Analyzer RBW was set to 100 kHz. For each RF output channel investigated, the spectrum analyzer center frequency was set to the channel carrier. A peak output reading was taken, a DISPLAY line was drawn 6 dB lower than peak level. The 6 dB bandwidth was determined from where the channel output spectrum intersected the display line.

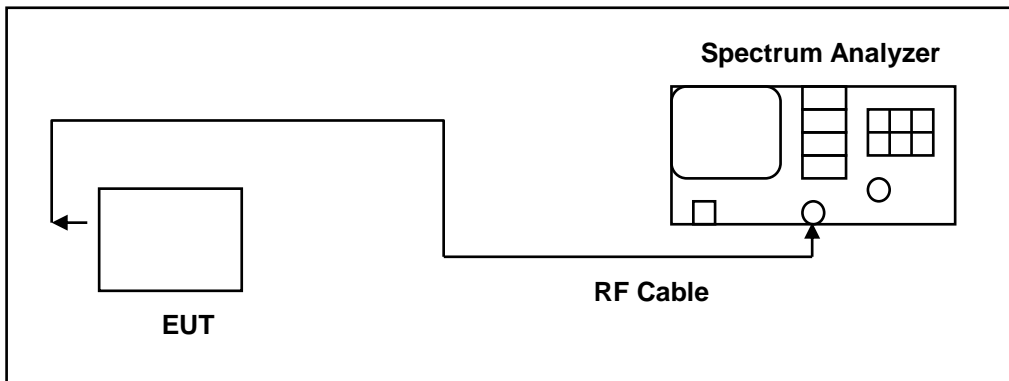
The test was performed at 3 channels (Channel low, middle, high)

4.5. Maximum Power Density Measurement

■ Limit

For digitally modulated systems, the power spectral density conducted from the intentional radiator to the antenna shall not be greater than 8 dBm in any 3 kHz band during any time interval of continuous transmission.

■ Test Setup



■ Test Procedure

The EUT tested to DTS test procedure of KDB558074D01 section 10.2 Method PKPSD for compliance to FCC 47CFR 15.247 requirements.

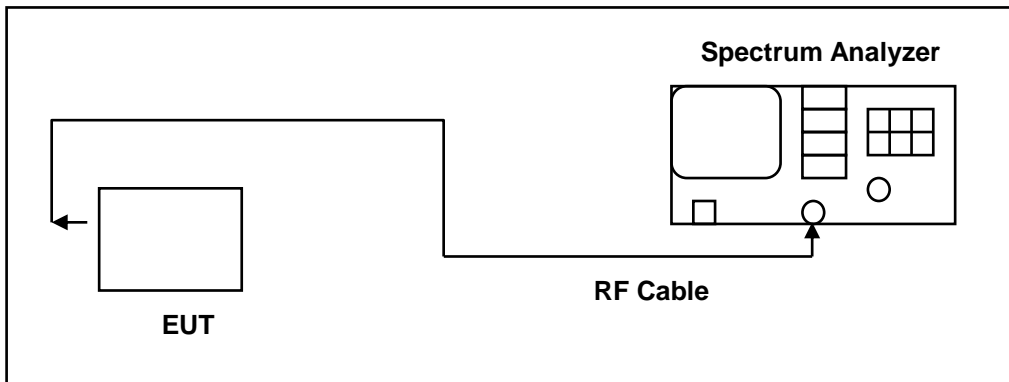
1. Set analyzer center frequency to DTS channel center frequency.
2. Set the span to 1.5 times the DTS bandwidth.
3. Set the RBW to: $3 \text{ kHz} \leq \text{RBW} \leq 100 \text{ kHz}$.
4. Set the VBW $\geq 3 \times \text{RBW}$.
5. Detector = peak.
6. Sweep time = auto couple.
7. Trace mode = max hold.
8. Allow trace to fully stabilize.
9. Use the peak marker function to determine the maximum amplitude level within the RBW.
10. If measured value exceeds limit, reduce RBW (no less than 3 kHz) and repeat.

4.6. Out of Band Conducted Emissions Measurement

■ **Limit**

In any 100 kHz bandwidth outside the frequency band in which the spread spectrum or digitally modulated intentional radiator is operating, the radio frequency power that is produced by the intentional radiator shall be at least 20 dB below that in the 100 kHz bandwidth within the band that contains the highest level of the desired power

■ **Test Setup**



■ **Test Procedure**

In any 100 kHz bandwidth outside the EUT pass band, the RF power produced by the modulation products of the spreading sequence, the information sequence, and the carrier frequency shall be at least 20 dB below that of the maximum in-band 100 kHz emission, antenna output of the EUT was coupled directly to spectrum analyzer; if an external attenuator and/or cable was used, these losses are compensated for with the analyzer OFFSET function.

All other types of emissions from the EUT shall meet the general limits for radiated frequencies outside the pass band. The test was performed at 3 channels.

4.7. Antenna Measurement

■ **Limit**

For intentional device, according to 15.203, an intentional radiator shall be designed to ensure that no antenna other than that furnished by the responsible party shall be used with the device.

And According to 15.247 (b), if transmitting antennas of directional gain greater than 6 dBi are used, the power shall be reduced by the amount in dB that the directional gain of the antenna exceeds 6dBi.

■ **Antenna Connector Construction**

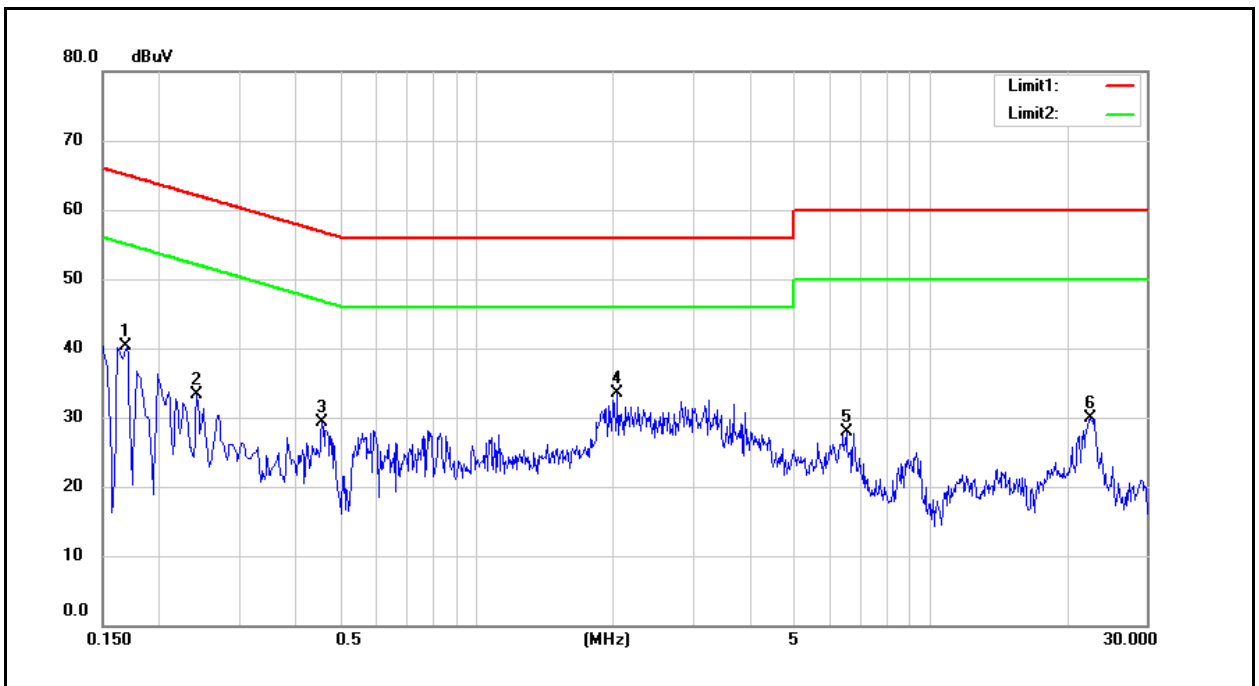
See section 2 – antenna information.



5 Test Results

Annex A. Conducted Emission Test Results

Standard:	FCC Part 15.207	Power:	AC 120V/60Hz
Test Mode:	Mode 1	Temp.(°C)/Hum.(%RH):	26(°C)/60%RH
Line:	L1		
Description:			



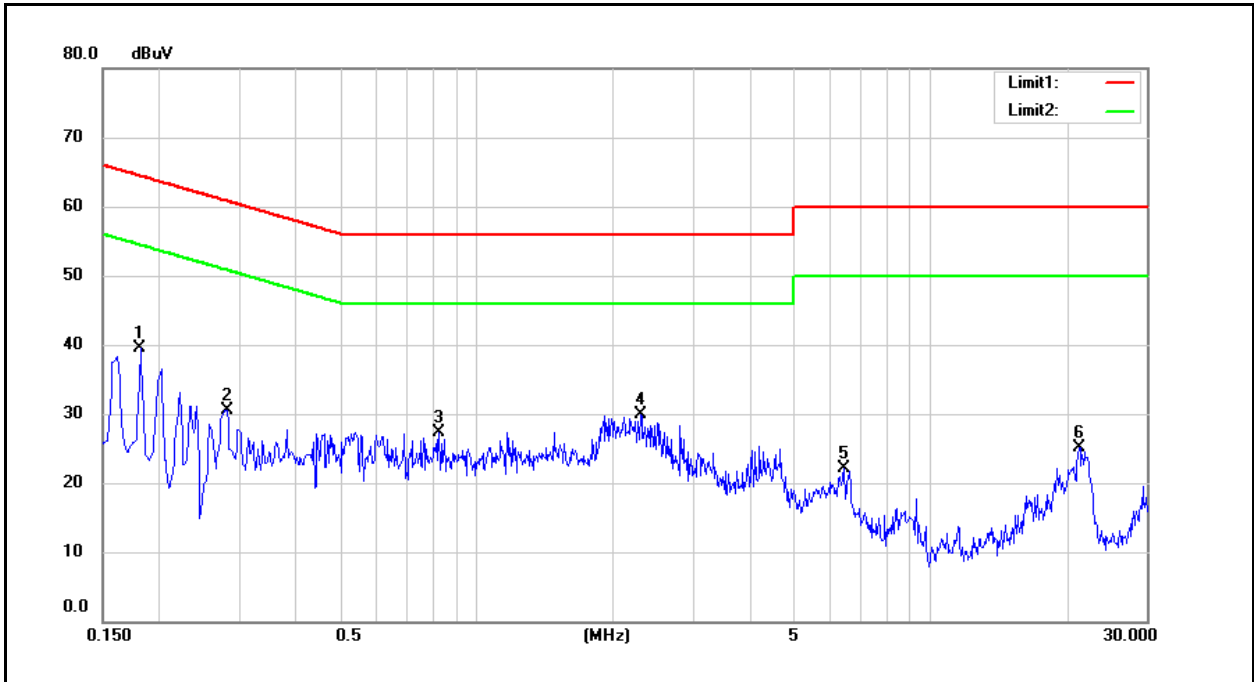
No.	Frequency (MHz)	QP reading (dBuV)	AVG reading (dBuV)	Correction factor (dB)	QP result (dBuV)	AVG result (dBuV)	QP limit (dBuV)	AVG limit (dBuV)	QP margin (dB)	AVG margin (dB)	Remark
1	0.1700	37.65	17.61	0.05	37.70	17.66	64.96	54.96	-27.26	-37.30	Pass
2	0.2420	27.18	21.27	0.05	27.23	21.32	62.03	52.03	-34.80	-30.71	Pass
3	0.4580	26.41	14.21	0.05	26.46	14.26	56.73	46.73	-30.27	-32.47	Pass
4	2.0540	28.20	19.60	0.10	28.30	19.70	56.00	46.00	-27.70	-26.30	Pass
5	6.5500	19.81	13.32	0.21	20.02	13.53	60.00	50.00	-39.98	-36.47	Pass
6	22.6300	24.26	14.73	0.42	24.68	15.15	60.00	50.00	-35.32	-34.85	Pass

Note: 1. Result (dBuV) = Correction factor (dB) + Reading(dBuV).

2. Correction factor (dB) = Cable loss (dB) + L.I.S.N. factor (dB).



Standard:	FCC Part 15.207	Power:	AC 120V/60Hz
Test Mode:	Mode 1	Temp.(°C)/Hum.(%RH):	26(°C)/60%RH
Line:	N		
Description:			



No.	Frequency (MHz)	QP reading (dBuV)	AVG reading (dBuV)	Correction factor (dB)	QP result (dBuV)	AVG result (dBuV)	QP limit (dBuV)	AVG limit (dBuV)	QP margin (dB)	AVG margin (dB)	Remark
1	0.1820	35.54	20.16	0.05	35.59	20.21	64.39	54.39	-28.80	-34.18	Pass
2	0.2820	27.03	13.02	0.06	27.09	13.08	60.76	50.76	-33.67	-37.68	Pass
3	0.8300	22.44	13.88	0.06	22.50	13.94	56.00	46.00	-33.50	-32.06	Pass
4	2.3060	23.04	16.09	0.11	23.15	16.20	56.00	46.00	-32.85	-29.80	Pass
5	6.4540	14.36	8.24	0.21	14.57	8.45	60.00	50.00	-45.43	-41.55	Pass
6	21.2700	19.38	9.85	0.40	19.78	10.25	60.00	50.00	-40.22	-39.75	Pass

Note: 1. Result (dBuV) = Correction factor (dB) + Reading(dBuV).
 2. Correction factor (dB) = Cable loss (dB) + L.I.S.N. factor (dB).



Annex B. Transmitter Radiated Emissions Test Results

Below 1GHz

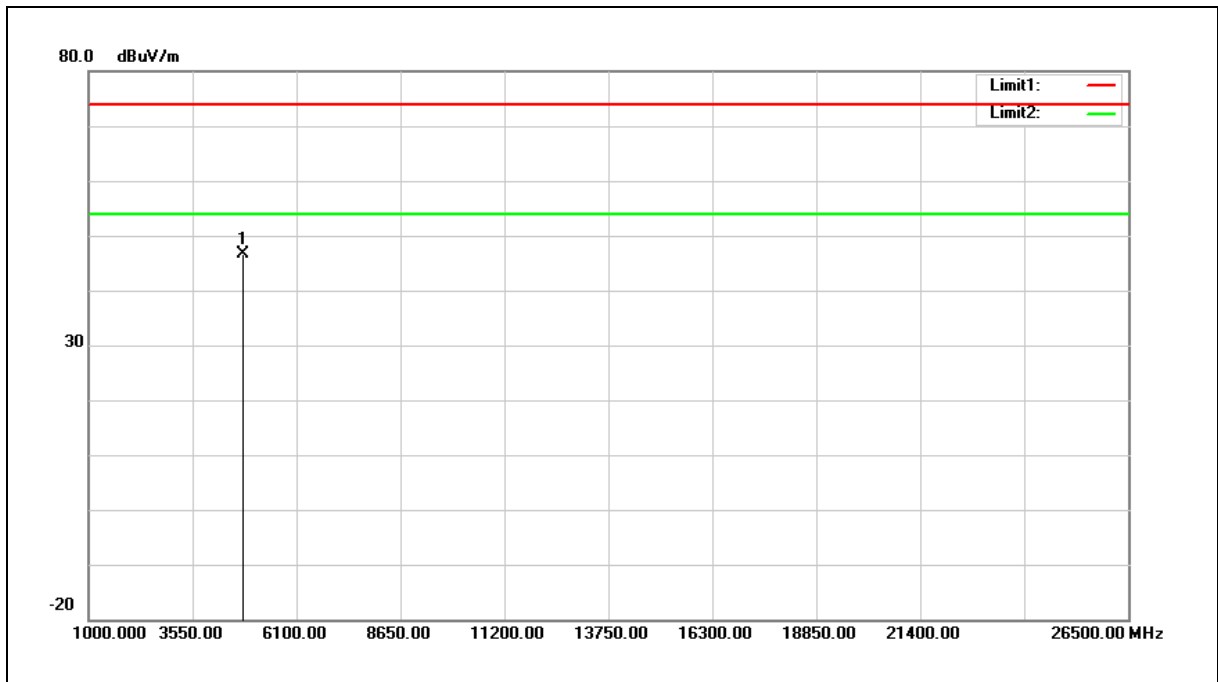
Standard:		FCC Part 15.247		Test Distance:		3m	
Test Mode:		Mode 1		Power:		AC 120V/60Hz	
				Temp.(°C)/Hum.(%RH):		26(°C)/60%RH	
Frequency (MHz)	Reading (dBuV)	Correct Factor (dB/m)	Result (dBuV/m)	Limit (dBuV/m)	Margin (dB)	Remark	Ant.Polar. H / V
123.1200	48.51	-13.03	35.48	43.50	-8.02	peak	H
167.7400	45.88	-10.54	35.34	43.50	-8.16	peak	H
384.0500	40.34	-7.81	32.53	46.00	-13.47	peak	H
480.0800	38.25	-5.16	33.09	46.00	-12.91	peak	H
792.4200	39.41	0.19	39.60	46.00	-6.40	peak	H
839.9500	43.63	0.67	44.30	46.00	-1.70	peak	H
984.4800	42.31	2.84	45.15	54.00	-8.85	peak	H
123.1200	42.97	-13.03	29.94	43.50	-13.56	peak	V
198.7800	37.79	-12.84	24.95	43.50	-18.55	peak	V
378.2300	37.71	-8.13	29.58	46.00	-16.42	peak	V
480.0800	37.69	-5.16	32.53	46.00	-13.47	peak	V
647.8900	36.61	-2.38	34.23	46.00	-11.77	peak	V
839.9500	38.46	0.67	39.13	46.00	-6.87	peak	V

- Note: 1. Result (dBuV) = Correction factor (dB) + Reading(dBuV).
 2. Correction factor (dB/m) = Antenna Factor (dB/m) + Cable loss (dB) – Pre-Amplifier gain (dB).
 3. No emission found between lowest internal used/generated frequencies to 30MHz (9 kHz~30MHz).



Above 1GHz

Standard:	FCC Part 15.247	Test Distance:	3m
Test item:	Harmonic	Power:	AC 120V/60Hz
Frequency:	2402MHz	Temp.(°C)/Hum.(%RH):	26(°C)/60%RH
Mode:	Mode 2		
Ant.Polar.:	Horizontal		

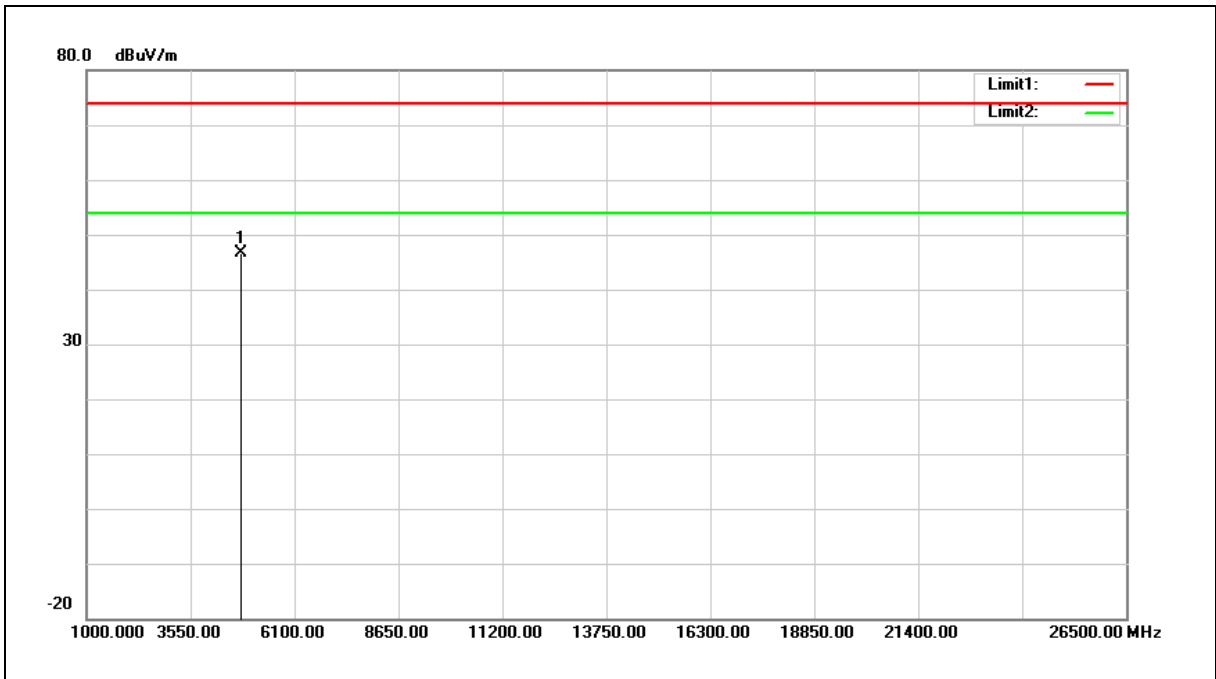


No.	Frequency (MHz)	Reading (dBuV)	Correct Factor (dB/m)	Result (dBuV/m)	Limit (dBuV/m)	Margin (dB)	Remark
1	4804.000	50.93	-4.35	46.58	74.00	-27.42	peak

- Note: 1. Result (dBuV/m) = Correct Factor (dB/m) + Reading(dBuV).
 2. Correction factor (dB/m) = Antenna Factor (dB/m) + Cable loss (dB) – Pre-Amplifier gain (dB).
 3. When the peak results are less than average limit, so not need to evaluate the average.



Standard:	FCC Part 15.247	Test Distance:	3m
Test item:	Harmonic	Power:	AC 120V/60Hz
Frequency:	2402MHz	Temp.(°C)/Hum.(%RH):	26(°C)/60%RH
Mode:	Mode 2		
Ant.Polar.:	Vertical		



No.	Frequency (MHz)	Reading (dBuV)	Correct Factor (dB/m)	Result (dBuV/m)	Limit (dBuV/m)	Margin (dB)	Remark
1	4804.000	50.91	-4.35	46.56	74.00	-27.44	peak

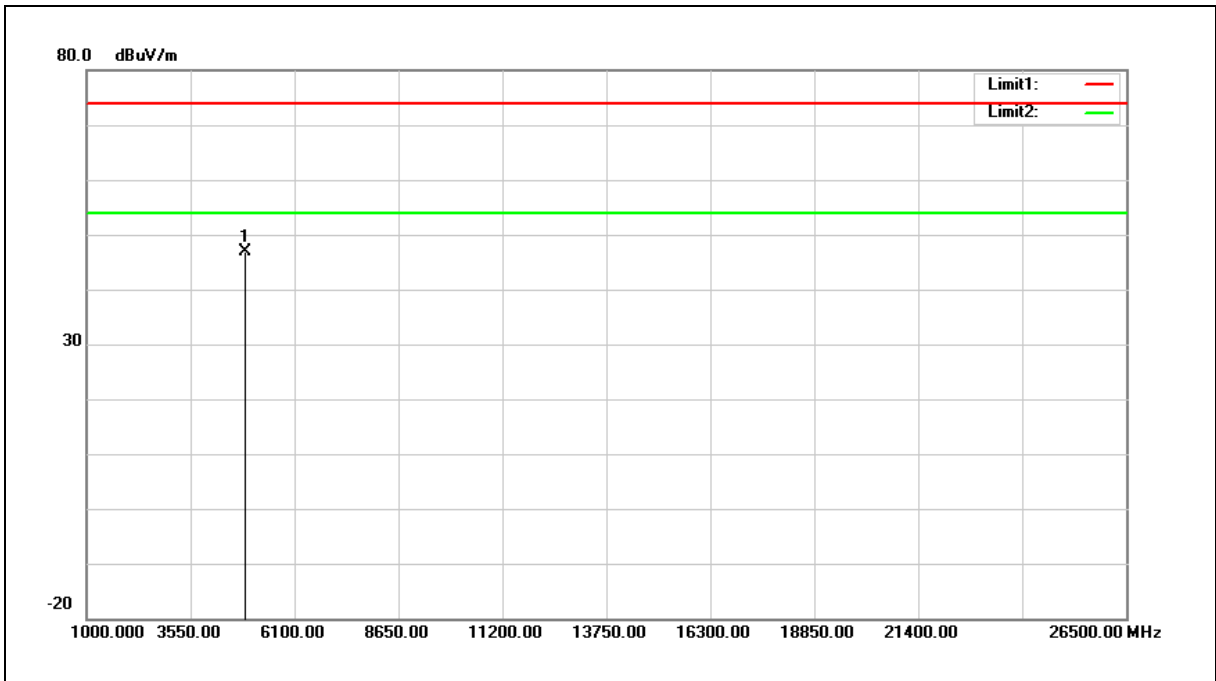
Note:1.Result (dBuV/m) = Correct Factor (dB/m) + Reading(dBuV).

2.Correction factor (dB/m) = Antenna Factor (dB/m) + Cable loss (dB) – Pre-Amplifier gain (dB).

3. When the peak results are less than average limit, so not need to evaluate the average.



Standard:	FCC Part 15.247	Test Distance:	3m
Test item:	Harmonic	Power:	AC 120V/60Hz
Frequency:	2440MHz	Temp.(°C)/Hum.(%RH):	26(°C)/60%RH
Mode:	Mode 2		
Ant.Polar.:	Horizontal		



No.	Frequency (MHz)	Reading (dBuV)	Correct Factor (dB/m)	Result (dBuV/m)	Limit (dBuV/m)	Margin (dB)	Remark
1	4880.000	51.14	-4.37	46.77	74.00	-27.23	peak

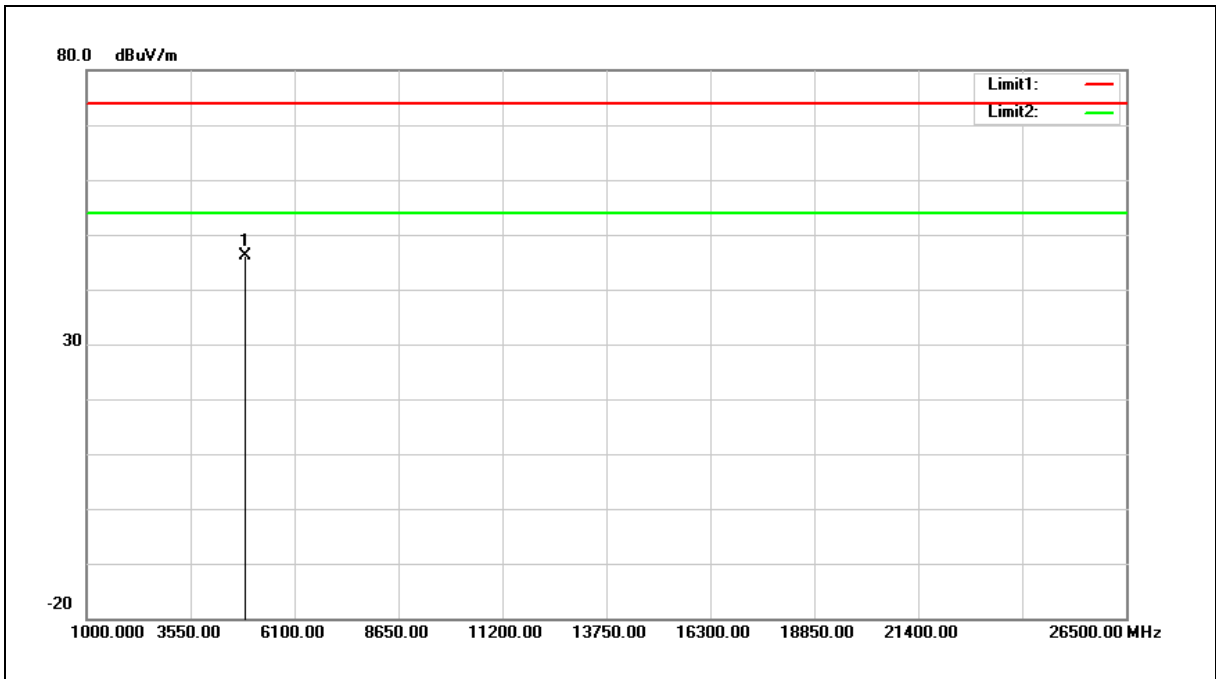
Note:1.Result (dBuV/m) = Correct Factor (dB/m) + Reading(dBuV).

2.Correction factor (dB/m) = Antenna Factor (dB/m) + Cable loss (dB) – Pre-Amplifier gain (dB).

3. When the peak results are less than average limit, so not need to evaluate the average.



Standard:	FCC Part 15.247	Test Distance:	3m
Test item:	Harmonic	Power:	AC 120V/60Hz
Frequency:	2440MHz	Temp.(°C)/Hum.(%RH):	26(°C)/60%RH
Mode:	Mode 2		
Ant.Polar.:	Vertical		



No.	Frequency (MHz)	Reading (dBuV)	Correct Factor (dB/m)	Result (dBuV/m)	Limit (dBuV/m)	Margin (dB)	Remark
1	4880.000	50.56	-4.37	46.19	74.00	-27.81	peak

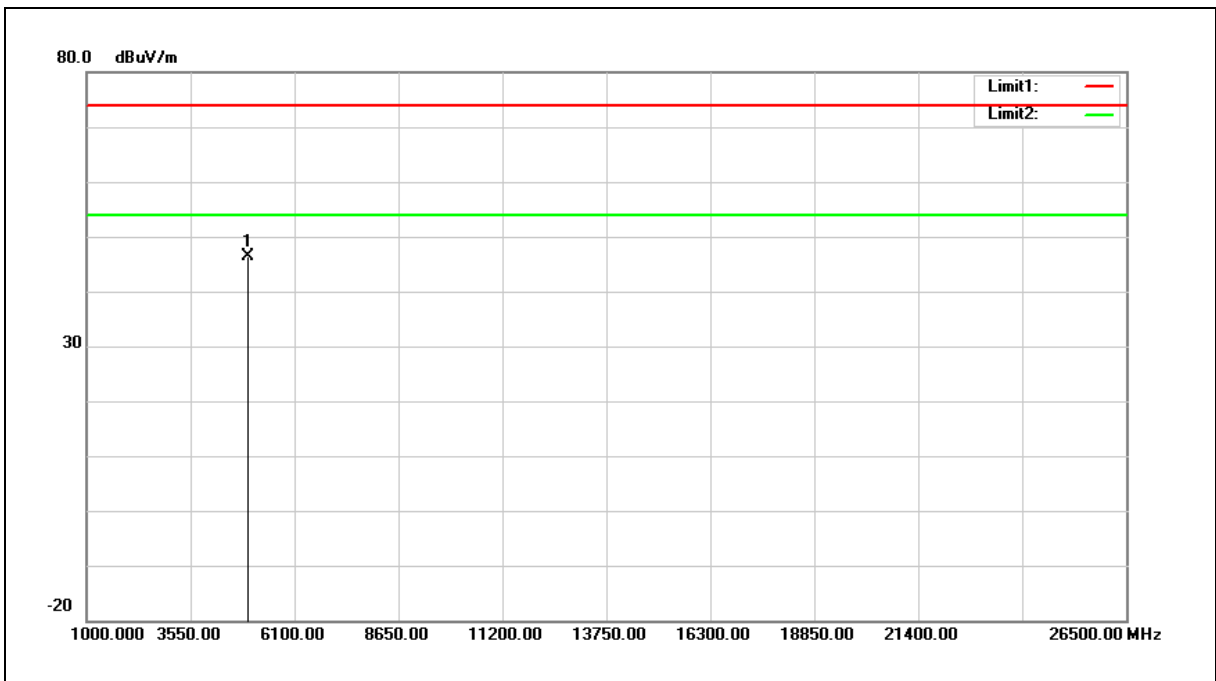
Note:1.Result (dBuV/m) = Correct Factor (dB/m) + Reading(dBuV).

2.Correction factor (dB/m) = Antenna Factor (dB/m) + Cable loss (dB) – Pre-Amplifier gain (dB).

3. When the peak results are less than average limit, so not need to evaluate the average.



Standard:	FCC Part 15.247	Test Distance:	3m
Test item:	Harmonic	Power:	AC 120V/60Hz
Frequency:	2480MHz	Temp.(°C)/Hum.(%RH):	26(°C)/60%RH
Mode:	Mode 2		
Ant.Polar.:	Horizontal		



No.	Frequency (MHz)	Reading (dBuV)	Correct Factor (dB/m)	Result (dBuV/m)	Limit (dBuV/m)	Margin (dB)	Remark
1	4960.000	50.67	-4.39	46.28	74.00	-27.72	peak

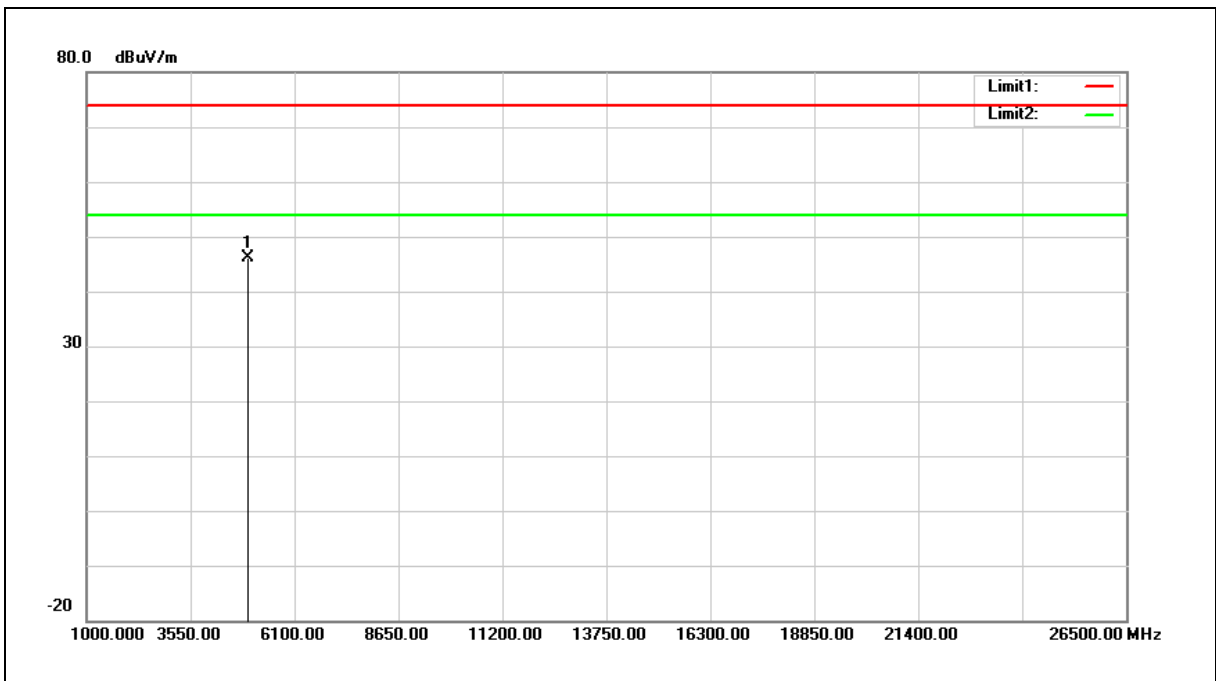
Note:1.Result (dBuV/m) = Correct Factor (dB/m) + Reading(dBuV).

2.Correction factor (dB/m) = Antenna Factor (dB/m) + Cable loss (dB) – Pre-Amplifier gain (dB).

3. When the peak results are less than average limit, so not need to evaluate the average.



Standard:	FCC Part 15.247	Test Distance:	3m
Test item:	Harmonic	Power:	AC 120V/60Hz
Frequency:	2480MHz	Temp.(°C)/Hum.(%RH):	26(°C)/60%RH
Mode:	Mode 2		
Ant.Polar.:	Vertical		



No.	Frequency (MHz)	Reading (dBuV)	Correct Factor (dB/m)	Result (dBuV/m)	Limit (dBuV/m)	Margin (dB)	Remark
1	4960.000	50.59	-4.39	46.20	74.00	-27.80	peak

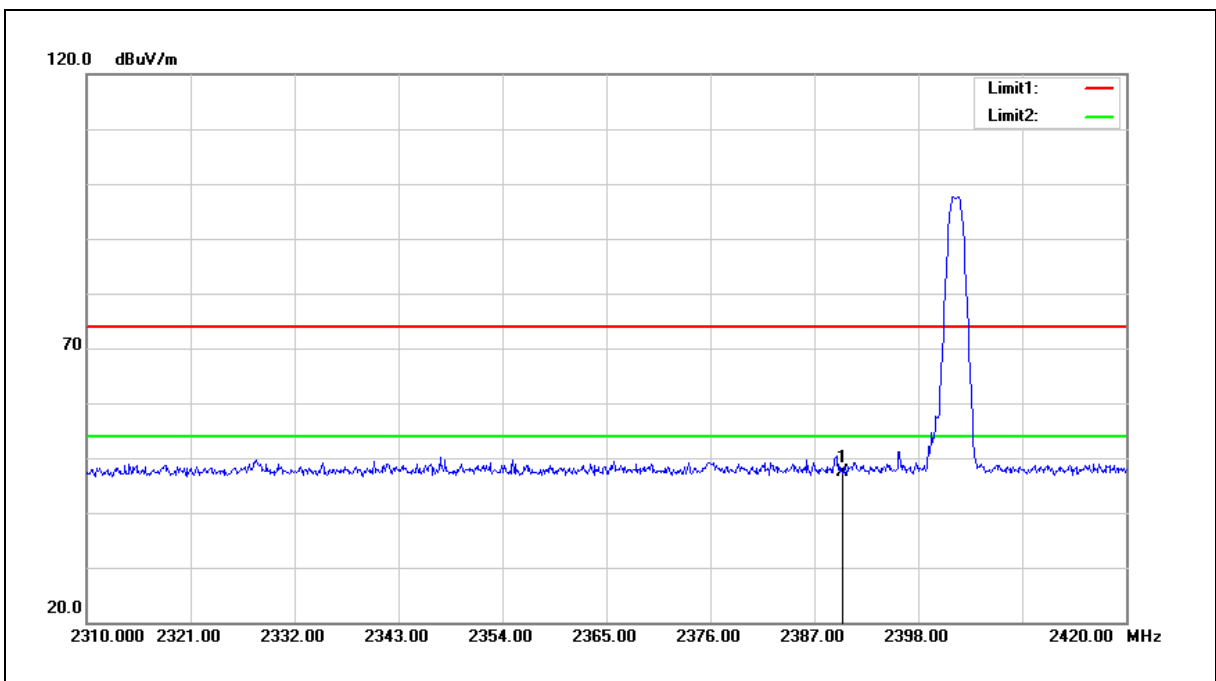
Note:1.Result (dBuV/m) = Correct Factor (dB/m) + Reading(dBuV).

2.Correction factor (dB/m) = Antenna Factor (dB/m) + Cable loss (dB) – Pre-Amplifier gain (dB).

3. When the peak results are less than average limit, so not need to evaluate the average.

Band Edge

Standard:	FCC Part 15.247	Test Distance:	3m
Test item:	Band edge	Power:	AC 120V/60Hz
Frequency:	2402MHz	Temp.(°C)/Hum.(%RH):	26(°C)/60%RH
Mode:	Mode 2		
Ant.Polar.:	Horizontal		



No.	Frequency (MHz)	Reading (dBuV)	Correct Factor (dB/m)	Result (dBuV/m)	Limit (dBuV/m)	Margin (dB)	Remark
1	2390.000	56.98	-9.62	47.36	74.00	-26.64	peak

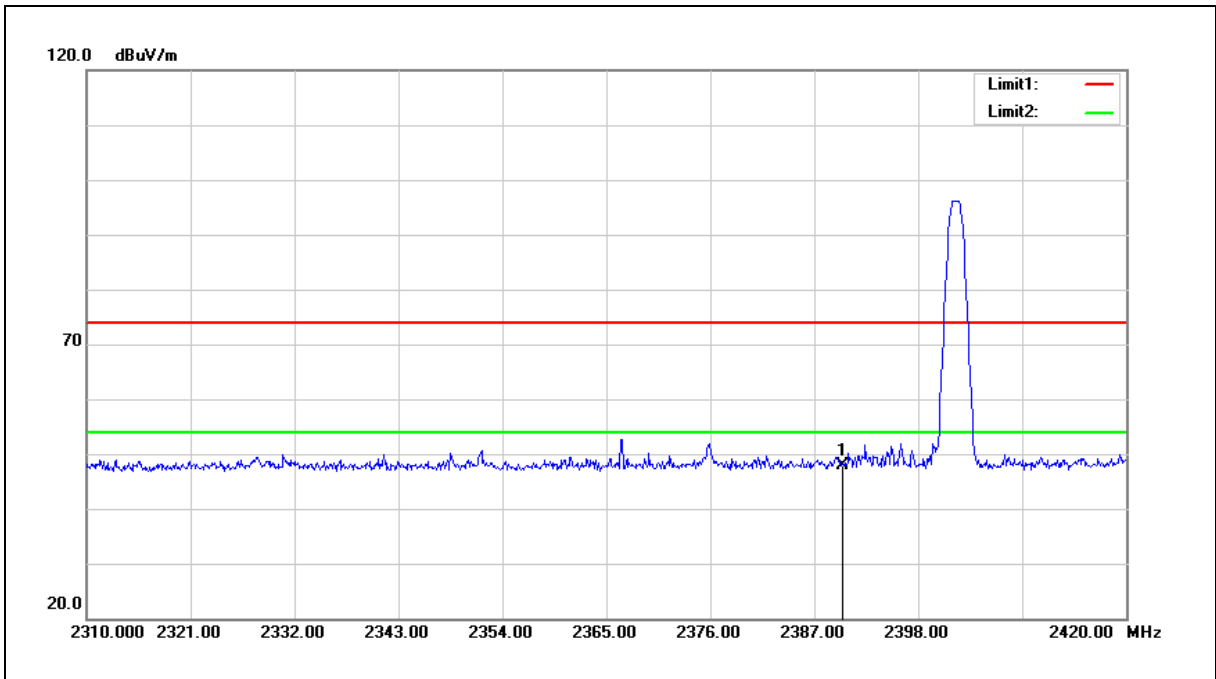
Note:1.Result (dBuV/m) = Correct Factor (dB/m) + Reading(dBuV).

2.Correction factor (dB/m) = Antenna Factor (dB/m) + Cable loss (dB) – Pre-Amplifier gain (dB).

3. When the peak results are less than average limit, so not need to evaluate the average.



Standard:	FCC Part 15.247	Test Distance:	3m
Test item:	Band edge	Power:	AC 120V/60Hz
Frequency:	2402MHz	Temp.(°C)/Hum.(%RH):	26(°C)/60%RH
Mode:	Mode 2		
Ant.Polar.:	Vertical		



No.	Frequency (MHz)	Reading (dBuV)	Correct Factor (dB/m)	Result (dBuV/m)	Limit (dBuV/m)	Margin (dB)	Remark
1	2390.000	57.58	-9.62	47.96	74.00	-26.04	peak

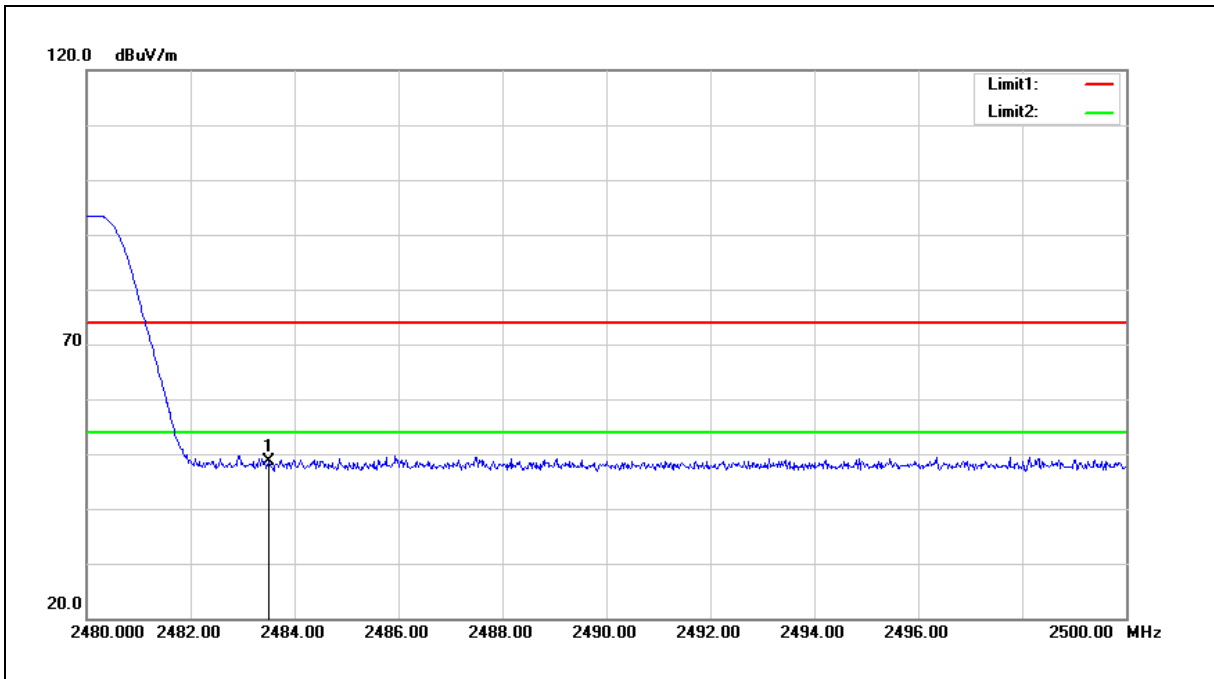
Note:1.Result (dBuV/m) = Correct Factor (dB/m) + Reading(dBuV).

2.Correction factor (dB/m) = Antenna Factor (dB/m) + Cable loss (dB) – Pre-Amplifier gain (dB).

3. When the peak results are less than average limit, so not need to evaluate the average.



Standard:	FCC Part 15.247	Test Distance:	3m
Test item:	Band edge	Power:	AC 120V/60Hz
Frequency:	2480MHz	Temp.(°C)/Hum.(%RH):	26(°C)/60%RH
Mode:	Mode 2		
Ant.Polar.:	Horizontal		



No.	Frequency (MHz)	Reading (dBuV)	Correct Factor (dB/m)	Result (dBuV/m)	Limit (dBuV/m)	Margin (dB)	Remark
1	2483.500	57.91	-9.20	48.71	74.00	-25.29	peak

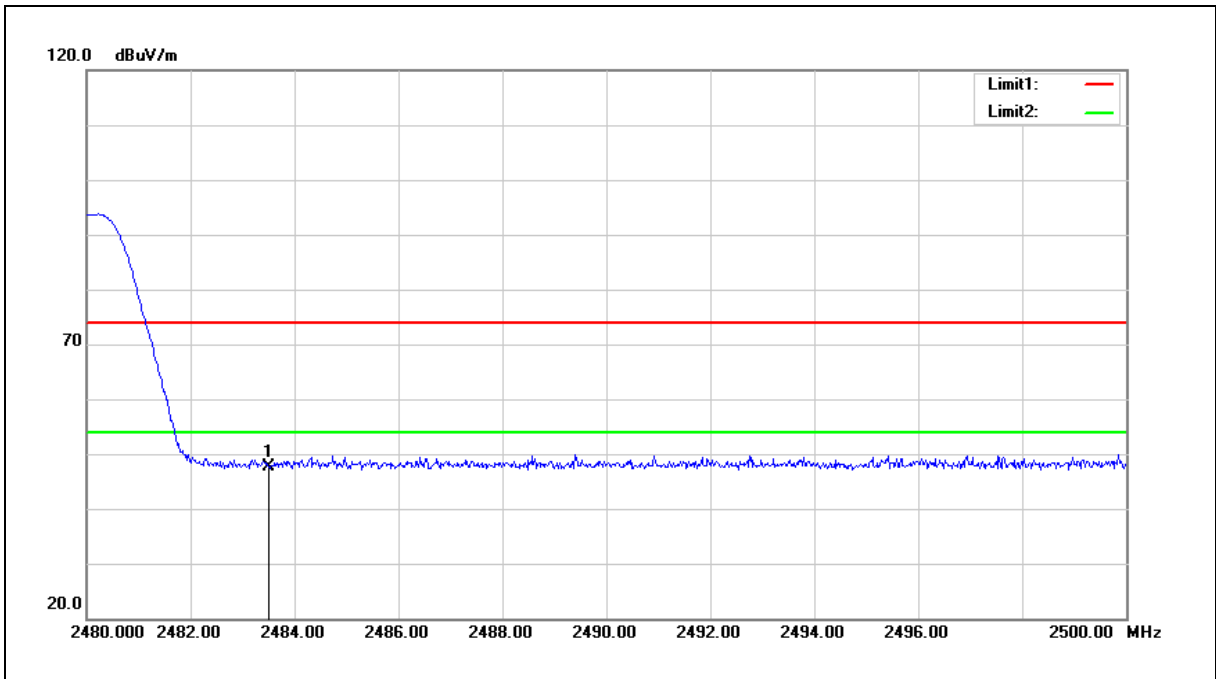
Note:1.Result (dBuV/m) = Correct Factor (dB/m) + Reading(dBuV).

2.Correction factor (dB/m) = Antenna Factor (dB/m) + Cable loss (dB) – Pre-Amplifier gain (dB).

3. When the peak results are less than average limit, so not need to evaluate the average.



Standard:	FCC Part 15.247	Test Distance:	3m
Test item:	Band edge	Power:	AC 120V/60Hz
Frequency:	2480MHz	Temp.(°C)/Hum.(%RH):	26(°C)/60%RH
Mode:	Mode 2		
Ant.Polar.:	Vertical		



No.	Frequency (MHz)	Reading (dBuV)	Correct Factor (dB/m)	Result (dBuV/m)	Limit (dBuV/m)	Margin (dB)	Remark
1	2483.500	56.94	-9.20	47.74	74.00	-26.26	peak

Note:1.Result (dBuV/m) = Correct Factor (dB/m) + Reading(dBuV).

2.Correction factor (dB/m) = Antenna Factor (dB/m) + Cable loss (dB) – Pre-Amplifier gain (dB).

3. When the peak results are less than average limit, so not need to evaluate the average.



Annex C. Conducted Test Results

Maximum Conducted Output Power Measurement

Frequency (MHz)	Average Power		Peak Power		Limit (dBm)
	(dBm)	(W)	(dBm)	(W)	
2402	0.38	0.00109	-1.73	0.00067	< 30
2440	0.32	0.00108	-2.28	0.00059	< 30
2480	-0.43	0.00091	-3.13	0.00049	< 30

Note: The relevant measured result has the offset with cable loss already.

6dB RF Bandwidth Measurement

Frequency (MHz)	Measurement Results (kHz)	Limit (kHz)
2402	710.200	> 500
2440	712.400	> 500
2480	714.100	> 500



Test Mode:	Mode 2
2402 MHz	<p>Agilent Spectrum Analyzer - Occupied BW</p> <p>Center Freq: 2.40200000 GHz Trig: Free Run #Atten: 20 dB Avg/Hold: >10/10 Radio Std: None Radio Device: BTS</p> <p>Ref Offset 10.5 dB Ref 20.50 dBm</p> <p>Center 2.402 GHz #Res BW 100 kHz #VBW 300 kHz Span 3 MHz Sweep 1 ms</p> <p>Occupied Bandwidth 1.0493 MHz Total Power 5.18 dBm</p> <p>Transmit Freq Error 6.248 kHz OBW Power 99.00 % x dB Bandwidth 710.2 kHz x dB -6.00 dB</p> <p>Frequency Center Freq 2.40200000 GHz CF Step 300.000 kHz Freq Offset 0 Hz</p>
2440 MHz	<p>Agilent Spectrum Analyzer - Occupied BW</p> <p>Center Freq: 2.44000000 GHz Trig: Free Run #Atten: 20 dB Avg/Hold: >10/10 Radio Std: None Radio Device: BTS</p> <p>Ref Offset 10.5 dB Ref 20.50 dBm</p> <p>Center 2.44 GHz #Res BW 100 kHz #VBW 300 kHz Span 3 MHz Sweep 1 ms</p> <p>Occupied Bandwidth 1.0485 MHz Total Power 5.62 dBm</p> <p>Transmit Freq Error 5.972 kHz OBW Power 99.00 % x dB Bandwidth 712.4 kHz x dB -6.00 dB</p> <p>Frequency Center Freq 2.44000000 GHz CF Step 300.000 kHz Freq Offset 0 Hz</p>
2480 MHz	<p>Agilent Spectrum Analyzer - Occupied BW</p> <p>Center Freq: 2.48000000 GHz Trig: Free Run #Atten: 20 dB Avg/Hold: >10/10 Radio Std: None Radio Device: BTS</p> <p>Ref Offset 10.5 dB Ref 20.50 dBm</p> <p>Center 2.48 GHz #Res BW 100 kHz #VBW 300 kHz Span 3 MHz Sweep 1 ms</p> <p>Occupied Bandwidth 1.0503 MHz Total Power 5.40 dBm</p> <p>Transmit Freq Error 5.809 kHz OBW Power 99.00 % x dB Bandwidth 714.1 kHz x dB -6.00 dB</p> <p>Frequency Center Freq 2.48000000 GHz CF Step 300.000 kHz Freq Offset 0 Hz</p>



Maximum Power Density Measurement

Frequency (MHz)	Measurement Results (dBm/3KHz)	Limit (dBm)
2402	-16.656	< 8
2440	-16.132	< 8
2480	-16.436	< 8



<p>Test Mode:</p>	<p>Mode 2</p>
<p>2402 MHz</p>	<p>Agilent Spectrum Analyzer - Sweep SA</p> <p>11:33:45 AM Dec 15, 2017</p> <p>Ref Offset 10.5 dB Ref 0.00 dBm</p> <p>Mkr1 2.401 979 6 GHz -16.658 dBm</p> <p>Center 2.4020000 GHz #Res BW 3.0 kHz #VBW 10 kHz Sweep 2.733 ms (1001 pts)</p> <p>Frequency</p> <p>Auto Tune</p> <p>Center Freq 2.40200000 GHz</p> <p>Start Freq 2.401400000 GHz</p> <p>Stop Freq 2.402600000 GHz</p> <p>CF Step 120.000 kHz Auto Man</p> <p>Freq Offset 0 Hz</p>
<p>2440 MHz</p>	<p>Agilent Spectrum Analyzer - Sweep SA</p> <p>11:35:00 AM Dec 15, 2017</p> <p>Ref Offset 10.5 dB Ref 0.00 dBm</p> <p>Mkr1 2.439 979 6 GHz -16.132 dBm</p> <p>Center 2.4400000 GHz #Res BW 3.0 kHz #VBW 10 kHz Sweep 2.733 ms (1001 pts)</p> <p>Frequency</p> <p>Auto Tune</p> <p>Center Freq 2.44000000 GHz</p> <p>Start Freq 2.439400000 GHz</p> <p>Stop Freq 2.440600000 GHz</p> <p>CF Step 120.000 kHz Auto Man</p> <p>Freq Offset 0 Hz</p>
<p>2480 MHz</p>	<p>Agilent Spectrum Analyzer - Sweep SA</p> <p>11:36:17 AM Dec 15, 2017</p> <p>Ref Offset 10.5 dB Ref 0.00 dBm</p> <p>Mkr1 2.479 979 6 GHz -16.438 dBm</p> <p>Center 2.4800000 GHz #Res BW 3.0 kHz #VBW 10 kHz Sweep 2.733 ms (1001 pts)</p> <p>Frequency</p> <p>Auto Tune</p> <p>Center Freq 2.48000000 GHz</p> <p>Start Freq 2.479400000 GHz</p> <p>Stop Freq 2.480600000 GHz</p> <p>CF Step 120.000 kHz Auto Man</p> <p>Freq Offset 0 Hz</p>



Out of Band Conducted Emissions Measurement

Reference level	
Test Mode:	Mode 2
2402 MHz	
2440 MHz	
2480 MHz	



Out of Band Conducted Emissions							
Test Mode:	Mode 2						
2402 MHz	<p>Agilent Spectrum Analyzer - Sweep SA</p> <p>Ref Offset 10.5 dB Ref 20.50 dBm</p> <p>Mkr1 2.402 0 GHz -6.145 dBm</p> <p>Start 30 MHz #Res BW 100 kHz #VBW 300 kHz Sweep 88.00 ms (40001 pts)</p> <table border="1"> <thead> <tr> <th>Marker</th> <th>Frequency</th> <th>Power</th> </tr> </thead> <tbody> <tr> <td>1</td> <td>2.402 0 GHz</td> <td>-6.145 dBm</td> </tr> </tbody> </table>	Marker	Frequency	Power	1	2.402 0 GHz	-6.145 dBm
Marker	Frequency	Power					
1	2.402 0 GHz	-6.145 dBm					
2440 MHz	<p>Agilent Spectrum Analyzer - Sweep SA</p> <p>Ref Offset 10.5 dB Ref 20.50 dBm</p> <p>Mkr1 2.440 0 GHz -2.039 dBm</p> <p>Start 30 MHz #Res BW 100 kHz #VBW 300 kHz Sweep 88.00 ms (40001 pts)</p> <table border="1"> <thead> <tr> <th>Marker</th> <th>Frequency</th> <th>Power</th> </tr> </thead> <tbody> <tr> <td>1</td> <td>2.440 0 GHz</td> <td>-2.039 dBm</td> </tr> </tbody> </table>	Marker	Frequency	Power	1	2.440 0 GHz	-2.039 dBm
Marker	Frequency	Power					
1	2.440 0 GHz	-2.039 dBm					
2480 MHz	<p>Agilent Spectrum Analyzer - Sweep SA</p> <p>Ref Offset 10.5 dB Ref 20.50 dBm</p> <p>Mkr1 2.480 0 GHz -2.466 dBm</p> <p>Start 30 MHz #Res BW 100 kHz #VBW 300 kHz Sweep 88.00 ms (40001 pts)</p> <table border="1"> <thead> <tr> <th>Marker</th> <th>Frequency</th> <th>Power</th> </tr> </thead> <tbody> <tr> <td>1</td> <td>2.480 0 GHz</td> <td>-2.466 dBm</td> </tr> </tbody> </table>	Marker	Frequency	Power	1	2.480 0 GHz	-2.466 dBm
Marker	Frequency	Power					
1	2.480 0 GHz	-2.466 dBm					



Conducted Band Edge																												
Test Mode:	Mode 2																											
2402 MHz	<p>Agilent Spectrum Analyzer - Sweep SA</p> <p>Ref Offset 10.5 dB Ref 20.50 dBm</p> <p>Mkr1 2.401996 0 GHz -2.002 dBm</p> <p>Center 2.400000 GHz #Res BW 100 kHz #VBW 300 kHz Span 8.000 MHz Sweep 2.667 ms (40001 pts)</p> <table border="1"> <thead> <tr> <th>MKR</th> <th>MODE</th> <th>TRC</th> <th>SCL</th> <th>X</th> <th>Y</th> <th>FUNCTION</th> <th>FUNCTION WIDTH</th> <th>FUNCTION VALUE</th> </tr> </thead> <tbody> <tr> <td>1</td> <td>N</td> <td>f</td> <td></td> <td>2.401996 0 GHz</td> <td>-2.002 dBm</td> <td></td> <td></td> <td></td> </tr> <tr> <td>2</td> <td>N</td> <td>f</td> <td></td> <td>2.400000 0 GHz</td> <td>-58.178 dBm</td> <td></td> <td></td> <td></td> </tr> </tbody> </table>	MKR	MODE	TRC	SCL	X	Y	FUNCTION	FUNCTION WIDTH	FUNCTION VALUE	1	N	f		2.401996 0 GHz	-2.002 dBm				2	N	f		2.400000 0 GHz	-58.178 dBm			
MKR	MODE	TRC	SCL	X	Y	FUNCTION	FUNCTION WIDTH	FUNCTION VALUE																				
1	N	f		2.401996 0 GHz	-2.002 dBm																							
2	N	f		2.400000 0 GHz	-58.178 dBm																							
2480 MHz	<p>Agilent Spectrum Analyzer - Sweep SA</p> <p>Ref Offset 10.5 dB Ref 20.50 dBm</p> <p>Mkr1 2.479995 2 GHz -1.843 dBm</p> <p>Center 2.483500 GHz #Res BW 100 kHz #VBW 300 kHz Span 8.000 MHz Sweep 2.667 ms (40001 pts)</p> <table border="1"> <thead> <tr> <th>MKR</th> <th>MODE</th> <th>TRC</th> <th>SCL</th> <th>X</th> <th>Y</th> <th>FUNCTION</th> <th>FUNCTION WIDTH</th> <th>FUNCTION VALUE</th> </tr> </thead> <tbody> <tr> <td>1</td> <td>N</td> <td>f</td> <td></td> <td>2.479995 2 GHz</td> <td>-1.843 dBm</td> <td></td> <td></td> <td></td> </tr> <tr> <td>2</td> <td>N</td> <td>f</td> <td></td> <td>2.483500 0 GHz</td> <td>-59.266 dBm</td> <td></td> <td></td> <td></td> </tr> </tbody> </table>	MKR	MODE	TRC	SCL	X	Y	FUNCTION	FUNCTION WIDTH	FUNCTION VALUE	1	N	f		2.479995 2 GHz	-1.843 dBm				2	N	f		2.483500 0 GHz	-59.266 dBm			
MKR	MODE	TRC	SCL	X	Y	FUNCTION	FUNCTION WIDTH	FUNCTION VALUE																				
1	N	f		2.479995 2 GHz	-1.843 dBm																							
2	N	f		2.483500 0 GHz	-59.266 dBm																							