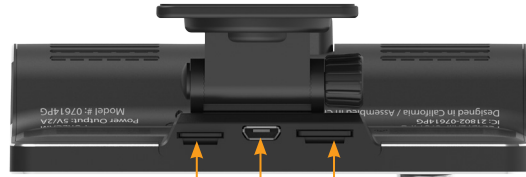


Puregear - 4K LTE Dashcam

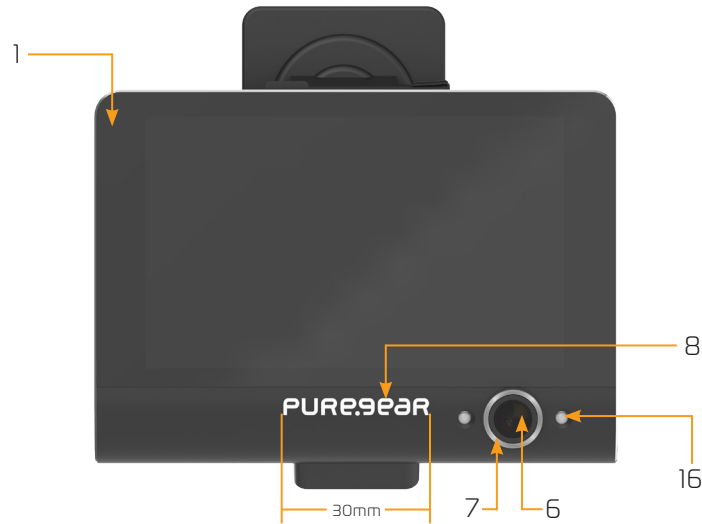
ID Designer: Niran Jayasiri



14 13 12
TOP



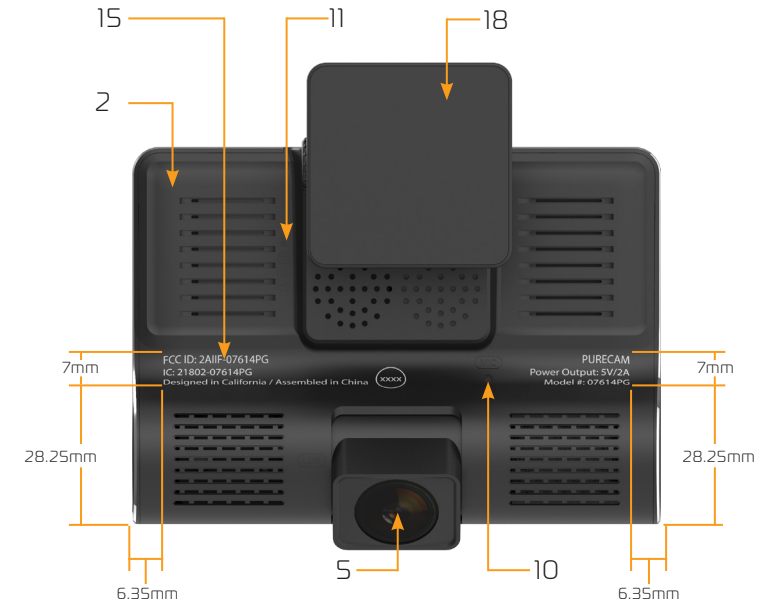
LEFT



FRONT



RIGHT



BACK



BOTTOM

S.O.S. Bluetooth Button



FRONT



BACK

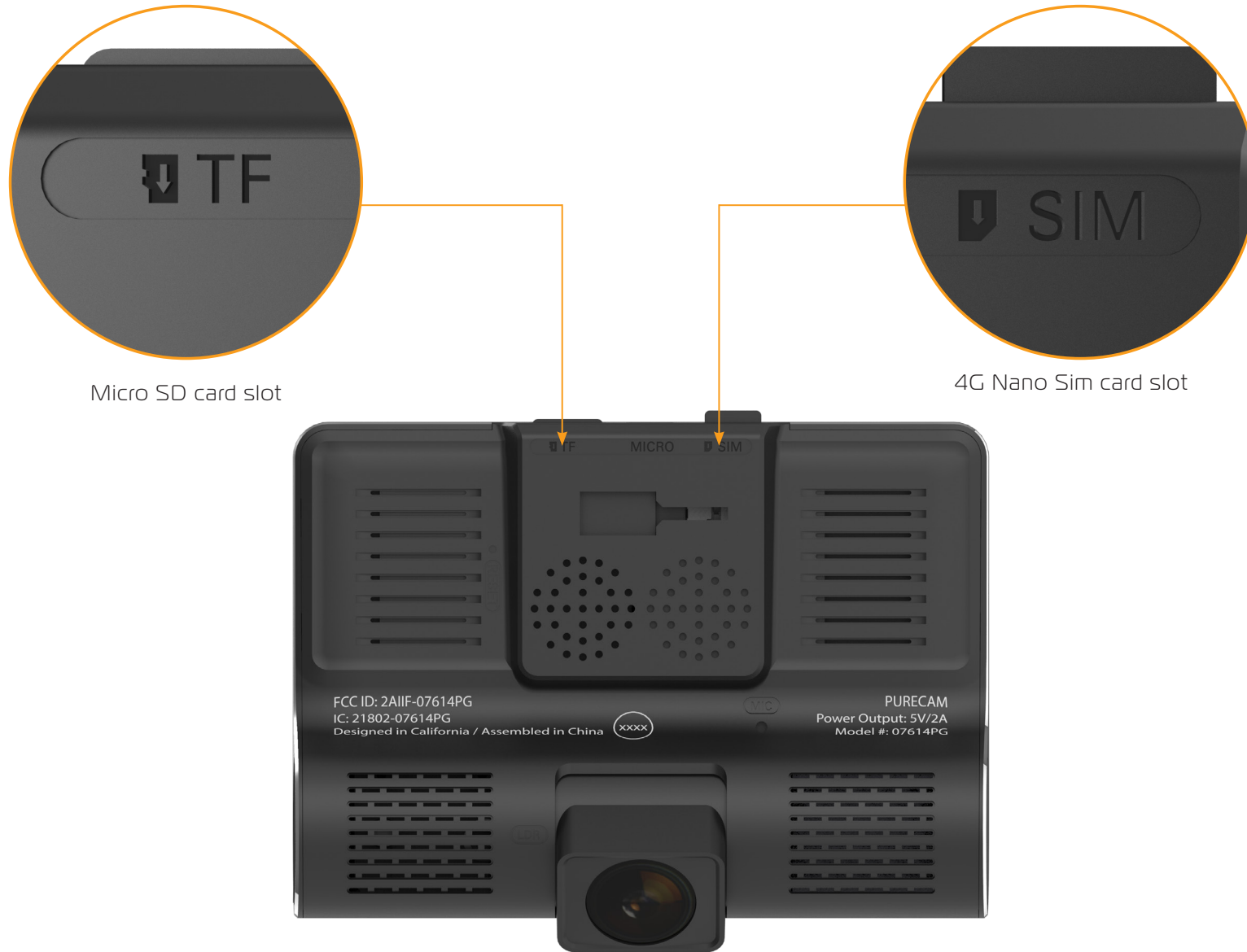


SIDE

#	Part Description	Color	Material	Finish	Notes
1	Screen Cover	N/A	Glass	N/A	
2	Main Housing	Black	Plastic	Matte	
3	Buttons	Black	Plastic	Matte	
4	Side Panel	Black	Plastic	Matte	
5	Rear Camera	N/A	N/A	N/A	
6	Front Camera	N/A	N/A	N/A	
7	Front Camera Trim	N/A	Aluminum	Radial Brushed	
8	PureGear Logo	White	N/A	N/A	Laser Etch
9	Main Housing Trim	N/A	Aluminum	Glossy	
10	Mic	N/A	N/A	N/A	
11	Reset Button	N/A	N/A	N/A	
12	Micro SD Card Slot	N/A	N/A	N/A	
13	Micro USB Port	N/A	N/A	N/A	
14	4G Nano Sim Card Port	N/A	N/A	N/A	
15	Product Spec Label	White	N/A	N/A	Laser Etch
16	Super IR Lights	N/A	N/A	N/A	
17	Pivot Arm	Black	Plastic	Matte	
18	Adhesive Pad	N/A	Plastic	N/A	30%PC + 70%ABS
19	PureGear "EG" Logo	Green PMS 383C	N/A	N/A	Pad Print
20	Accent Trim	Green PMS 383C	Plastic	Matte	
21	Button Housing	Black	Plastic	Matte	

Puregear - 4K LTE Dashcam (Detail)

ID Designer: Niran Jayasiri

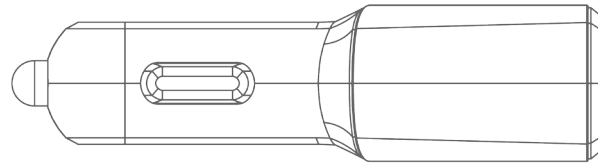


Micro SD card slot

4G Nano Sim card slot

Puregear - 4K LTE Dashcam - Car Charger

ID Designer: Niran Jayasiri

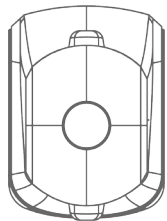


Top

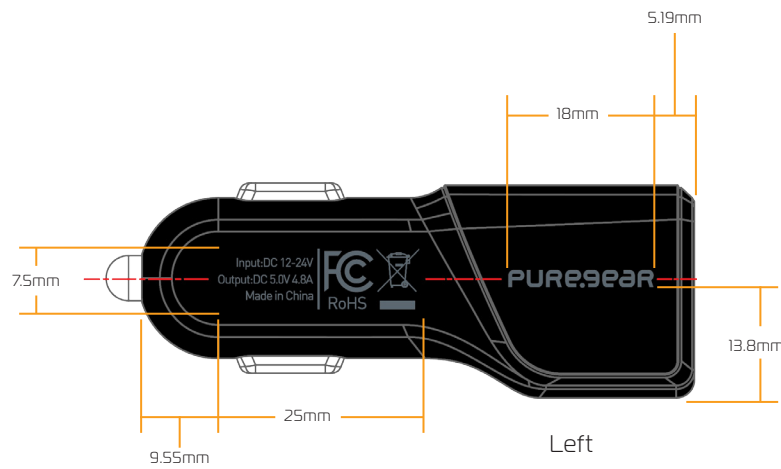
PureGear Logo Color



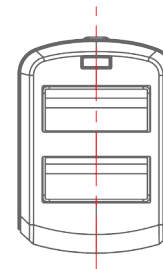
PMS 431C



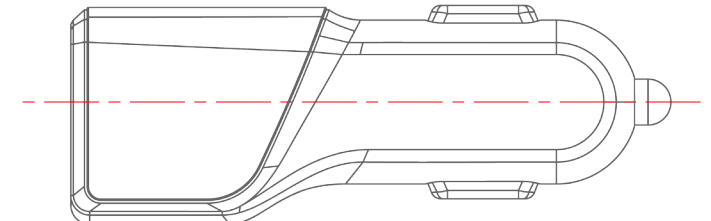
Back



Left



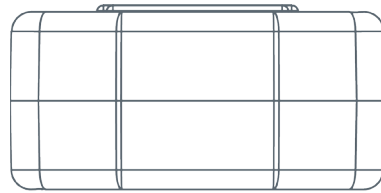
Front



Right

Puregear - 4K LTE Dashcam - OBD 2 Plug

ID Designer: Niran Jayasiri

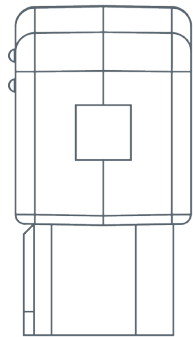


Top

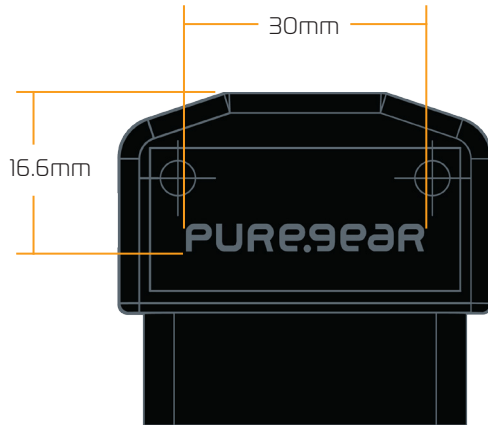
PureGear Logo Color



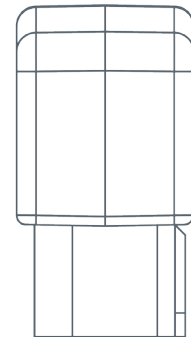
PMS 431C



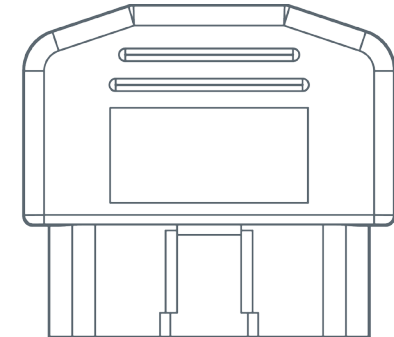
Left



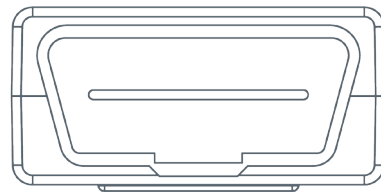
Front



Right



Back



Bottom

Revision 1 - 07/12/2017 - ID spec, logos, colors and description : Niran Jayasiri

Revision 2 - 08/07/2017 - ID spec, logos, colors and description : Niran Jayasiri

Revision 3 - 08/18/2017 - ID spec, logos, colors and description : Niran Jayasiri

Revision 4 - 08/30/2017 - ID spec, logos, colors and description : Niran Jayasiri

Revision 5 - 09/25/2017 - Added Components (VPC and OBD Cable) with ID spec, logos : Niran Jayasiri

Revision 6 - 10/16/2017 - Eliminate previous SOS button/ Logo placement change of the VPC/ LED placement change of the VPC : Niran Jayasiri

Revision 7 - 10/18/2017 - Added Components (New SOS Button) with ID spec, logos : Niran Jayasiri

Revision 8 - 10/25/2017 - ID spec, logos, colors and description for VPC : Niran Jayasiri

Revision 9 - 11/28/2017 - Added Components (New OBD 2 Plug) with ID spec, logos : Niran Jayasiri

Revision 10- 12/14/2017 - Product description adjustment : Niran Jayasiri

Revision 11- 12/19/2017 - Product information edit/ ID spec : Niran Jayasiri

Revision 12- 01/08/2018 - Product information edit/ Material change on the buttons/ ID spec : Niran Jayasiri