

S M **EN-Quick start guide** 5 S

**1. Getting Started**



Download “ZY Cami” App

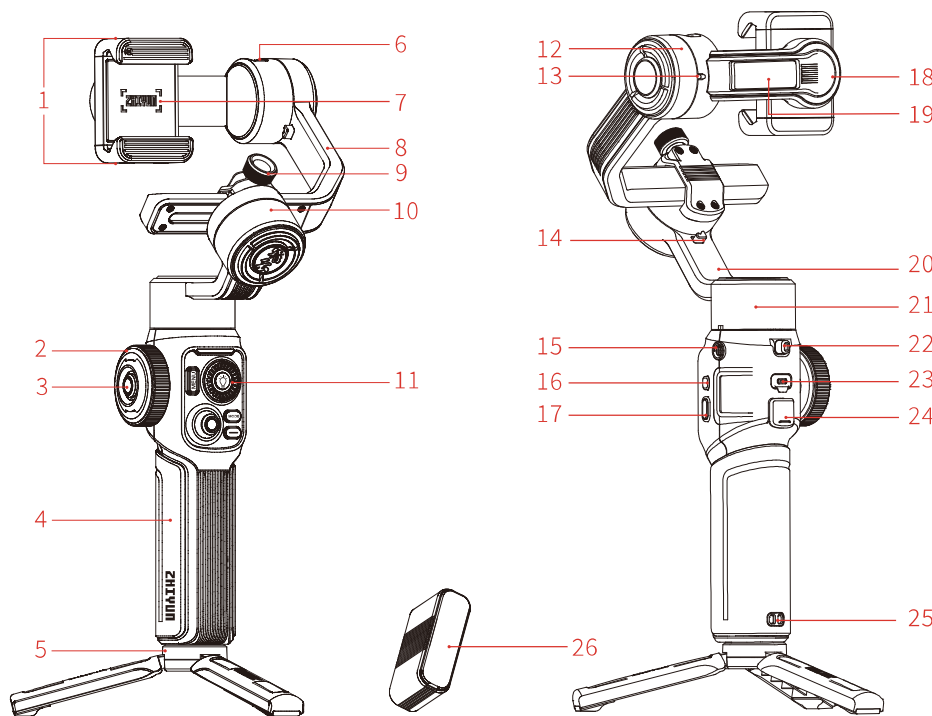


Read Full-version User Guide



Watch Video Tutorials

**2. Get to Know SMOOTH 5S**

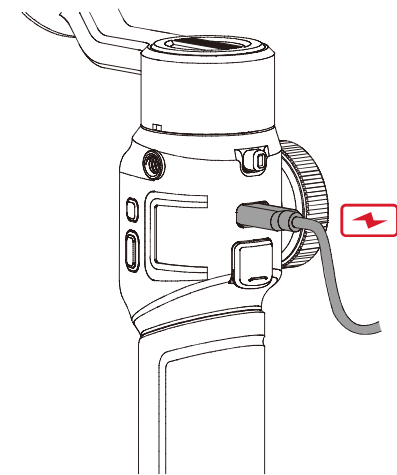


- 1.Magnetic Fill Light Slot
- 2.Focus/Zoom Control Wheel
- 3.Focus/Zoom Switch
- 4.Handle
- 5.Tripod
- 6.Mobile Phone Charging Port
- 7.Phone Clamp
- 8.Roll Axis Arm
- 9.Roll Axis Clamp Knob
- 10.Roll Axis Motor
- 11.Indicator Light/Control Panel
- 12.Tilt Axis Motor
- 13.Tilt Axis Lock Pin
- 14.Roll Axis Lock Pin

- 15.1/4" Threaded Hole
- 16.Power Button
- 17.FN Button
- 18.Phone Clamp Rotate Axis
- 19.Tilt Axis Built-in Fill Light
- 20.Pan Axis Arm
- 21.Pan Axis Motor
- 22.Pan Axis Lock Switch
- 23.Type-C Charging/Firmware Upgrade Port
- 24.Trigger Button
- 25.Wrist Strap Hole
- 26.TransMount SMOOTH 5S Magnetic Fill Light (Included in SMOOTH 5S Combo)

**3. Charging**

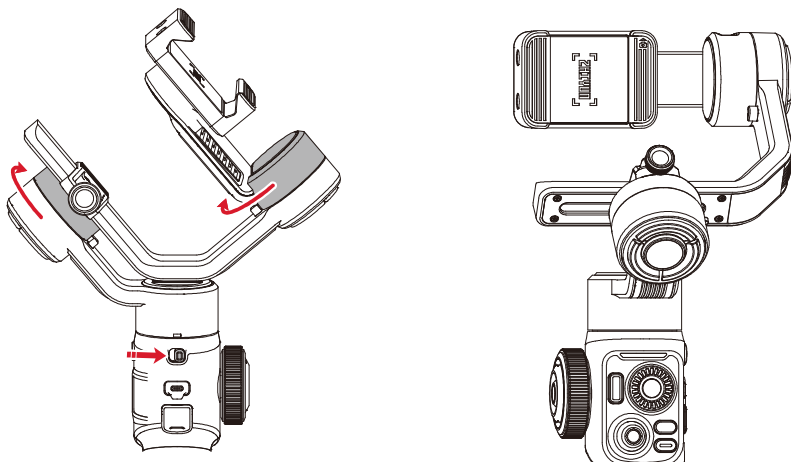
Use provided USB Type-C cable to connect with the USB charger (not provided) to charge the SMOOTH 5S. It is recommended to use USB chargers that meet the USB Power Delivery Specification (supports 18W at most). When the indicator light is on and stay solid, the charging is complete.



 Please power off SMOOTH 5S to charge.

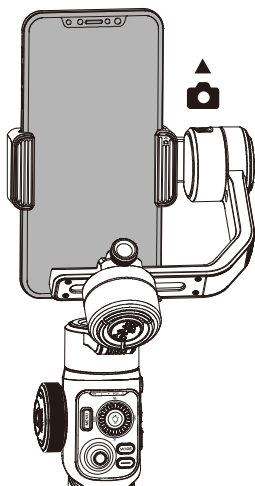
## 4. Mounting the Phone

1. Unlock the tilt axis, roll axis and pan axis, expand the SMOOTH 5S.

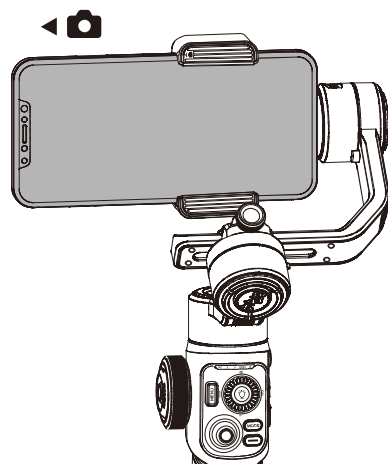


- ⚠ Please rotate in the correct direction as shown in the image when using to prevent the lock pin from damaging.

2. Mount the mobile phone onto the phone clamp. You can mount the phone in portrait mode or landscape mode according to the actual filming scenario.

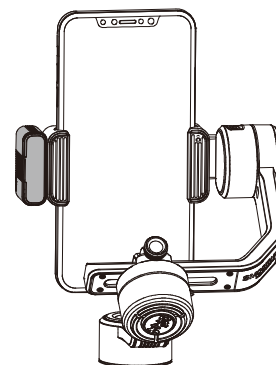


Portrait Mode Installation

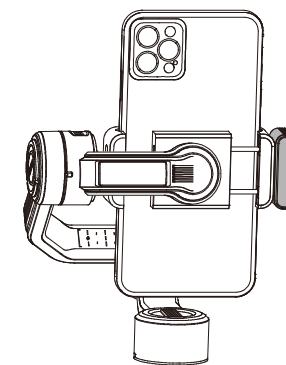


Landscape Mode Installation

- 💡 If you purchase SMOOTH 5S Combo, the package will come with the magnetic fill light. Install the magnetic fill light at the front or rear camera according to the actual filming scenario and make sure a firm installation. (Image below is the installation in the portrait mode as an example)



Fill Light at Front Camera



Fill Light at Rear Camera

## 5. Balancing

### Mounting in the portrait mode

1. Unlock the roll axis arm ①, push the arm to move left or right ② until the phone is steady and is at almost level with the ground ③. Tighten the roll axis clamp knob ④.
2. Move the mobile phone left or right ① until the phone is steady and is at almost level with the ground ②.

