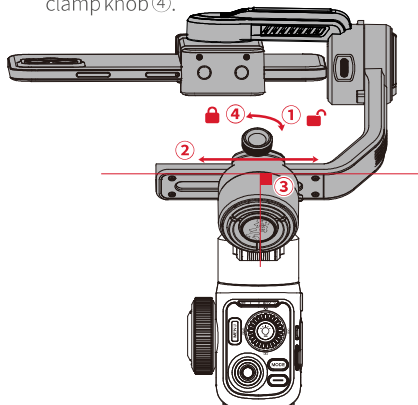
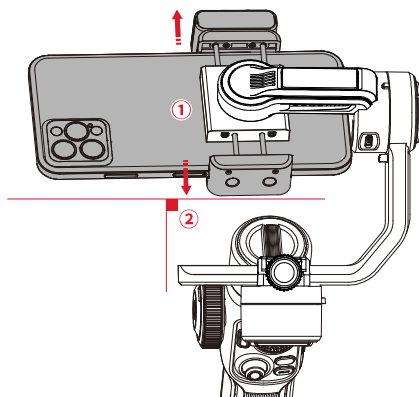


Mounting in the landscape mode

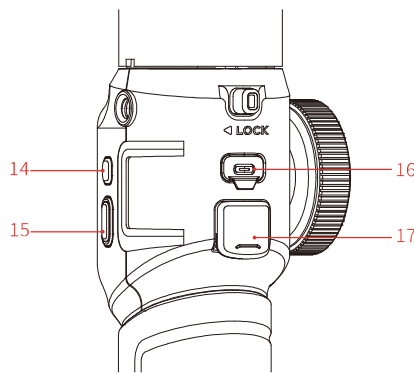
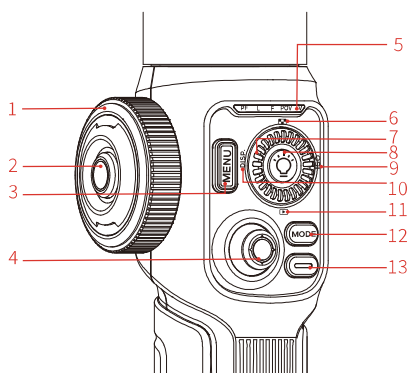
1. Unlock the roll axis arm ①, push the arm to move left or right ② until the phone is steady and is at almost level with the ground ③. Tighten the roll axis clamp knob ④.



2. Move the phone clamp forward or backward ① until the phone is steady and is at almost level with the ground ②.



6. Buttons/Ports Introduction



1 Focus/Zoom Control Wheel
Rotate the wheel to control focus/zoom in StaCam app. Rotate the wheel to control zoom in ZY Cami app.

2 Focus/Zoom Switch
Switch between focus/zoom.

3 Menu Button
Single press: Enter the SMART menu/return to the filming interface in ZY Cami app. Press to return to the filming interface in StaCam app.

4 Joystick
Push the joystick up/down/left/right to control the gimbal to rotate.

5 Gimbal Mode/Battery Level Indicator Light
Display current mode/battery level of the gimbal.

6 Resolution Selection Button
Single press: Enters resolution adjustment interface in ZY Cami/StaCam app.

7 Adjustment Wheel
Rotate the wheel in certain menus in ZY Cami/StaCam app to select parameters/functions.

8 Fill Light Button
Single press: For confirming in certain menus of ZY Cami/StaCam app. Double press: Start filming with the chosen mode in ZY Cami/StaCam app. Press and hold: Power on/off magnetic fill light. (Rotate the adjustment wheel to control the brightness when powered on)

9 ISO ISO/Exposure Adjustment Button
Single press: Disabled in ZY Cami app. Switch among shutter, ISO and white balance in StaCam app.

10 DISP DISP Button
Single press: Hide screen icons in StaCam app.

11 Photo Album Button
Single press: Open/close photo album in ZY Cami/StaCam app.

12 Mode Switch
Single press: Switch gimbal modes (PF-L-F-POV-V)
Double press: Return to previous mode
Press and hold: Enter/exit standby mode

13 Photo/Video Button
Single press: Start filming with the chosen mode in ZY Cami/StaCam app.
Double press: Switch front/rear camera in ZY Cami. Switch among wide-angle, super-wide-angle, telephoto, auto, front camera in StaCam app.

14 Power Button
Single press: See battery level
Press and hold: Power on/off the gimbal

15 FN Button
Single press: Disabled in ZY Cami app. Enter footage settings menu in StaCam app. Press five times: Reset Bluetooth
Long press: Turn on tilt axis arm fill light

16 Type-C Charging/Firmware Upgrade Port
Charge the gimbal/connect to computer for firmware upgrade with this port.

17 Trigger Button
Single press: Enable/disable SmartFollow in ZY Cami app
Double press: Reposition
Triple press: 180° rotation for pan axis
Press and hold: Enter Go Mode

① When connected via Bluetooth, SMOOTH 5S is able to control the native phone camera without ZY Cami/StaCam app. This function is available with a mobile phone which supports photo-taking using the volume button. For detailed information, visit the official website of ZHIYUN (www.zhiyun-tech.com) and check the "SMOOTH 5S Smartphone Compatibility List". Some of the functions above for the buttons are only available when the phone is connected to the gimbal and using ZY Cami/StaCam app. It is recommended to download ZY Cami/StaCam app and use with SMOOTH 5S.

7. Connect to “ZY Cami” App

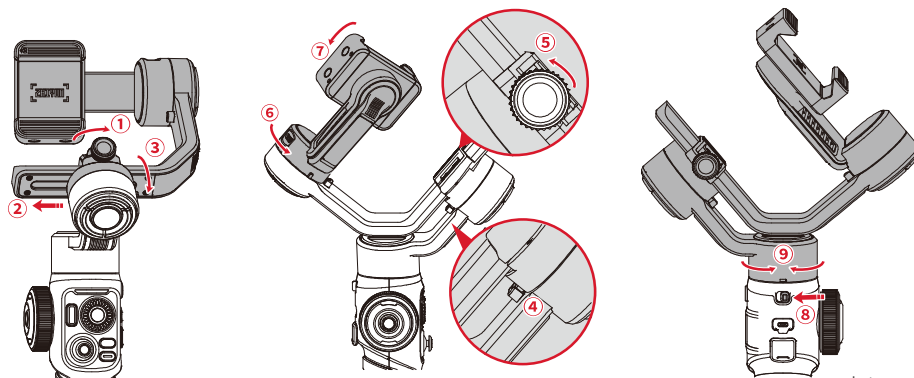
1. Power on SMOOTH 5S and turn on Bluetooth on the smartphone.
2. Launch the "ZY Cami" app. Tap the icon in the upper left corner in the home screen to open the device list and select the SMOOTH 5S device you wish to connect (the SMOOTH 5S Bluetooth name can be checked on the tilt axis arm USER ID: XXXX).
3. Activation on the ZY Cami app is required if the SMOOTH 5S is being used for the first time. Internet connection is required. After the activation succeeds, you can enter the camera interface of ZY Cami App.



- ① After activating SMOOTH 5S via the app, you can also use the app for many other advanced features such as SmartFollow, gesture control, timelapse, SMART mode, etc.
- ② StaCam is an app for professional filming with advanced features such as guides, focus peaking, zebra pattern, LUT, etc. You can choose the app that best fits your filming scenario.
- ③ The app is subject to updates without notice. Please always refer to the latest version.

8. Packing

Rotate the gimbal to its storage state as shown in the image.



Disclaimer and Warning

Thank you for purchasing SMOOTH 5S. The information contains herein affects your safety, legitimate rights and obligation. Please read this instruction carefully to ensure proper configuration before use. Failure to read and follow this instruction and warnings herein may result in serious injury to you or bystanders, or damage to your device or property. Guilin Zhishen Information Technology Co., Ltd (hereinafter referred to as "ZHIYUN") reserves all rights for final explanation on this instruction and other documents related to SMOOTH 5S. The information is subject to update without notice. Please visit www.zhiyun-tech.com to obtain the latest product information.

By using this product, you hereby signify that you have read this document carefully and that you understand and agree to abide by the terms and conditions herein. You agree that you are solely responsible for your own conduct while using this product, and for any consequences hereof. You agree to use this product only for purposes that are proper and in accordance with all terms, precautions, practices, policies and guidelines ZHIYUN has made and may make available.

ZHIYUN accepts no liability for damage, injury or any legal responsibility incurred directly or indirectly from the use of this product. Users shall observe safe and lawful practices including, but not limited to, those set forth herein.

ZHIYUN™ is the trademark of Guilin Zhishen Information Technology Co., Ltd and its affiliates. All product names or trademarks referred to herein are trademarks or registered trademarks of their respective holders.

Reading Tips

Legends: Hints and Tips Important

Scan the QR code and operate under carrier network may cause traffic fee which will be charged by your carrier. It is recommended to operate under Wi-Fi.

Warnings

Read the ENTIRE User Guide to become familiar with the features of this product before operating. Failure to operate the product correctly can result in damage to the product or personal property and cause serious injury. This is a sophisticated product. It must be operated with caution and common sense and requires some basic mechanical ability. Failure to operate this product in a safe and responsible manner could result in injury or damage to the product or other property. This product is not intended for use by children without direct adult supervision.

DO NOT use with incompatible components or in any way otherwise as mentioned or instructed in the product documents provided by ZHIYUN. The safety guidelines herein contain instructions for safety, operation and maintenance. It is essential to read and follow all of the instructions and warnings in the User Guide, prior to assembly, setup or use, in order to operate the product correctly and avoid damage or serious injury.

Safe Operation Guidelines

WARNING:

1. Never allow the product to come into contact with any liquid. Never immerse the product in water or make it get wet. Never use the product in the rain or a humid environment. Corrosion reaction may occur when the interior of the product is exposed to water, which may cause the battery to ignite spontaneously and may even cause an explosion.
2. If the product catches fire, please use water or water mist, sand, fire blanket, dry powder, carbon dioxide fire extinguisher immediately to put out the fire. Please choose the method according to the actual situation.
3. Please use the product in an environment with a temperature between -10°C and 45°C.
4. It is forbidden to disassemble the product in any way. If the battery is pierced during disassembly, it will cause the electrolyte inside the battery to leak or even cause fire or explosion.
5. Mechanical impact, rolling, or throwing of the product is prohibited. Do not place heavy objects on the product.
6. Do not heat the product. Do not place the product in a microwave oven or pressure cooker.
7. It is forbidden to place the product near a heat source (stove or heater, etc.) or inside the car in hot weather. Do not store the product in an environment above 45°C. The ideal temperature of storage is 22°C to 28°C.
8. Do not store the battery for a long time after it is completely discharged to avoid the battery entering the over-discharged state and causing damage to the battery cell, and it will not be able to resume use.

BE CAREFUL:

1. SMOOTH 5S is a high-precision control device. Damage may be caused to SMOOTH 5S if dropped or subject to external force, and this may result in malfunction.
2. Make sure the rotation of the stabilizer axes is not blocked by external force when SMOOTH 5S is turned on.
3. SMOOTH 5S is not waterproof. Prevent contacts of any kind of liquid or cleaner with the SMOOTH 5S. It is recommended to use dry cloth for cleaning.
4. Protect SMOOTH 5S from dust and sand during use.

CAUTION:

1. After the charging is complete, disconnect the product from the charger.
2. If you do not use the product for more than 10 days, please charge/discharge the battery to 40%-65% and store it to extend the battery life.
3. Recharge and discharge every 3 months to keep the battery active.
4. Keep the handle stable when powering on the SMOOTH 5S. Shakiness during power-on may fail to start.

Warranty Period

1. Customers are entitled to replacement or free repair service in case of quality deficits found in the product within 15 days upon receipt of the product.
2. Customers are entitled to free repair service from ZHIYUN for any product proven defective in material or workmanship that results in product failure during normal consumer usage and conditions within the valid warranty period, which is 12 months counting from the date of selling. However, warranty period varies by product component and country of purchase. Please contact our after-sales service team on ZHIYUN official website or your place of purchase for detailed warranty information.

Warranty Exclusions

1. Products subjected to unauthorized repair, misuse, collision, neglect, mishandling, soaking, accident, and unauthorized alteration.
2. Products subjected to improper use or whose labels or security tags have been torn off or altered.
3. Products whose warranty has expired.
4. Products damaged due to force majeure, such as fire, flood, lightning, etc.

Warranty Claim Procedure

1. If failure or any problem occurs to your product after purchase, please contact a local agent for assistance, or you can always contact ZHIYUN's customer service through email at info@zhiyun-tech.com or website at www.zhiyun-tech.com.
2. Your local agent or ZHIYUN's customer service will guide you through the whole service procedure regarding any product issue or problem you have encountered. ZHIYUN reserves the right to reexamine damaged or returned products.

Scan the QR code below to know more about our products.



Official website



Facebook
(Zhiyun Tech)



Facebook
(Zhiyun Support)



Instagram



YouTube

Quality Certificate

Please download the latest version from www.zhiyun-tech.com

This document is subject to change without notice.

ZHIYUN™ are the trademark of ZHISHEN.

Copyright © 2022 ZHISHEN. All rights reserved.