

EN - Quick start guide 3

1. Getting Started



Download "ZYPlay" App

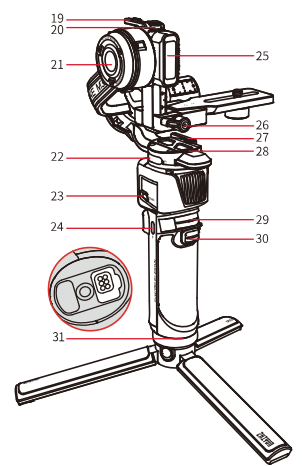
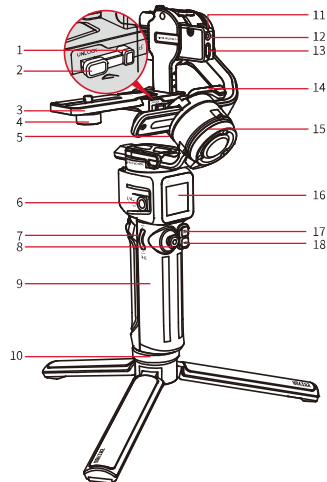


Read Full-version User Guide



Watch Video Tutorials

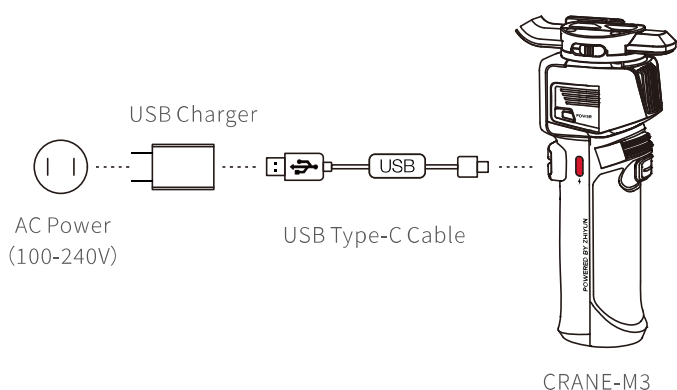
2. Get to Know CRANE-M3



- | | |
|---------------------------------------|---|
| 1. Quick Release Plate Safety Lock | 16. Touch Screen |
| 2. Quick Release Plate Release Button | 17. M Button |
| 3. Quick Release Plate | 18. Photo/Video Button |
| 4. 1/4" Camera Lock Screw | 19. Tilt Axis Lock Switch |
| 5. Roll Axis Lock Switch | 20. Tilt Axis Latch |
| 6. 1/4" Threaded Hole | 21. Tilt Axis Motor |
| 7. Fill Light Control Wheel | 22. Pan Axis Lock Switch |
| 8. Joystick | 23. Power Button |
| 9. Handle | 24. Type-C Charging/Firmware Upgrade Port |
| 10. Tripod | 25. Fill Light |
| 11. Audio Transmission Port | 26. Pan Axis Motor |
| 12. Audio Status Indicator Light | 27. Pan Axis Latch |
| 13. Camera Control/Charging Port | 28. Pan Axis Motor |
| 14. Roll Axis Latch | 29. Adjustment Wheel |
| 15. Roll Axis Motor | 30. Trigger Button |
| | 31. Contact Points |

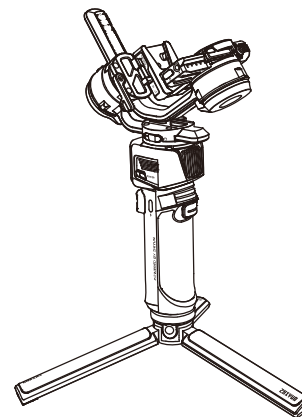
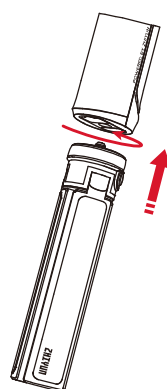
3. Charging

Use provided USB Type-C cable to connect with the USB charger (not provided) to charge the CRANE-M3. It is recommended to use USB chargers that meet the USB Power Delivery Specification (supports 14W at most).



4. Installation

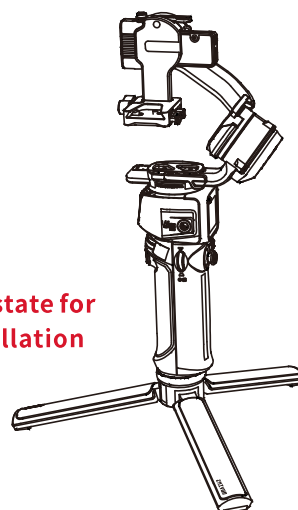
Mounting the Tripod

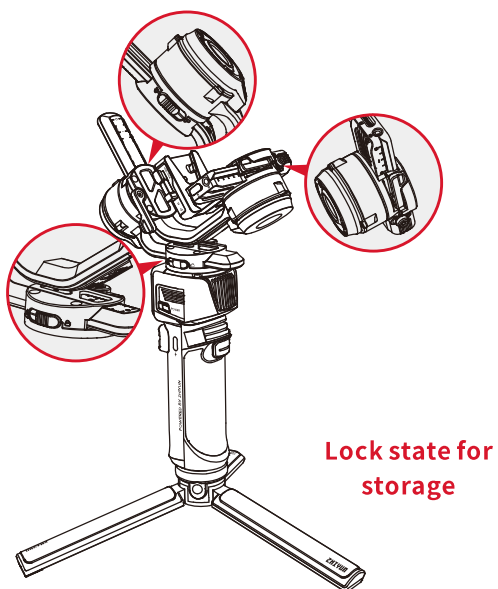


Mounting the Camera

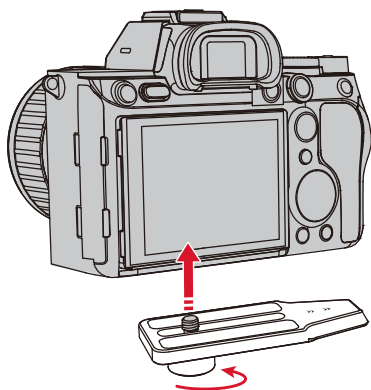
1. Each axis of the gimbal is equipped with a lock switch. You can use these lock switches to lock the axes for convenient installation and storage. The storage state is the default state. Please toggle the lock switch to unlock the three axes, expand the gimbal as shown in the image, and lock the axes again for convenient camera installation.

Lock state for installation

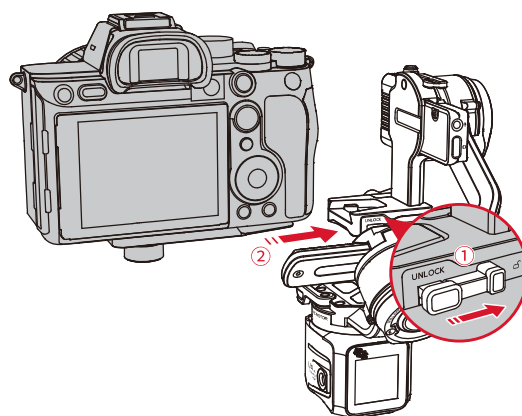




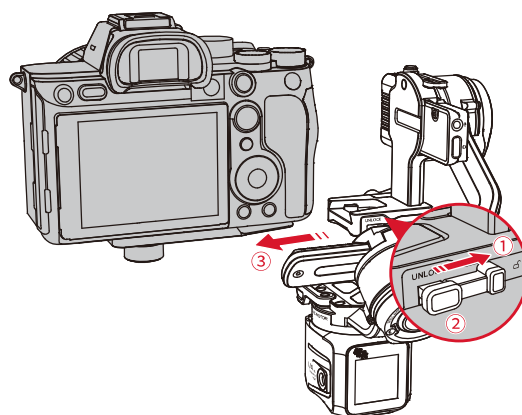
2. Mount the camera on the quick release plate. Tighten the bottom screw.



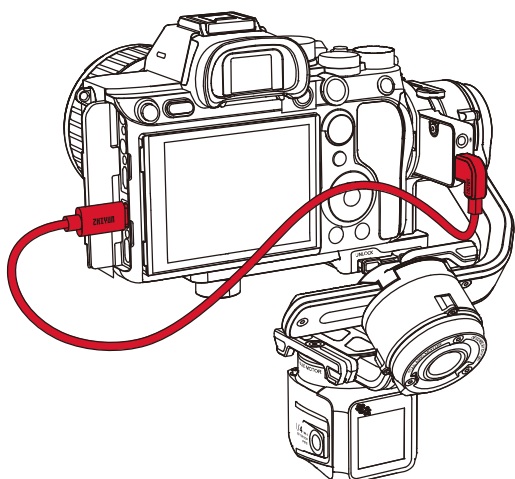
3. Toggle the quick release plate safety lock to unlock ①, install the whole quick release plate on CRANE-M3 ② and make sure a firm installation.



💡 When detaching, toggle the quick release plate safety lock to unlock, press the quick release plate release button to push the whole quick release plate out.



4. Connect the camera control/charging port of the gimbal to the USB port of the camera.

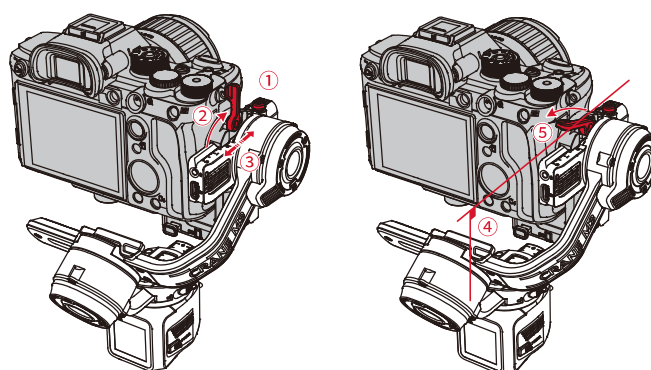


- 💡 ① Type-C to Multi cable is the control cable for Sony cameras. Can be used to control the Sony cameras to start/stop the filming. Type-C to Type-C and Type-C to Micro cables are camera charging cables. Choose the correct cable according to your actual filming scenarios.
- ② The camera control/charging port is only available for controlling Sony cameras. For other cameras, you can purchase the “TransMount CRANE-M3 Bluetooth Control Unit” and install it on the gimbal to control. For the detailed tutorial of the unit, please visit the official website of ZHIYUN (www.zhiyun-tech.com) and check the “TransMount CRANE-M3 Bluetooth Control Unit User Guide”.

5. Balancing

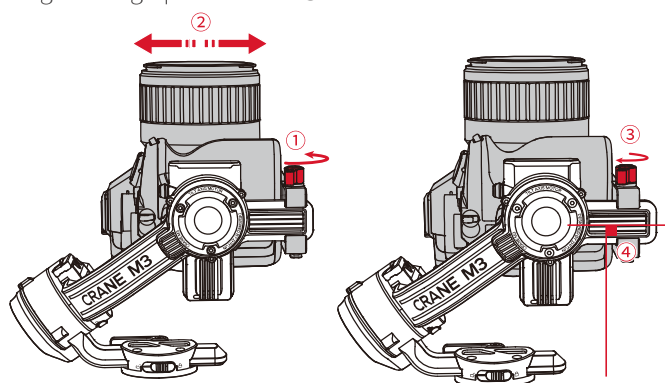
Horizontal Balance of the Tilt Axis

Unlock the tilt axis arm ① and loosen the tilt axis latch ②. Push the camera to move forward or backward ③ until the camera is steady and is at almost level with the ground ④. Tighten the latch ⑤.



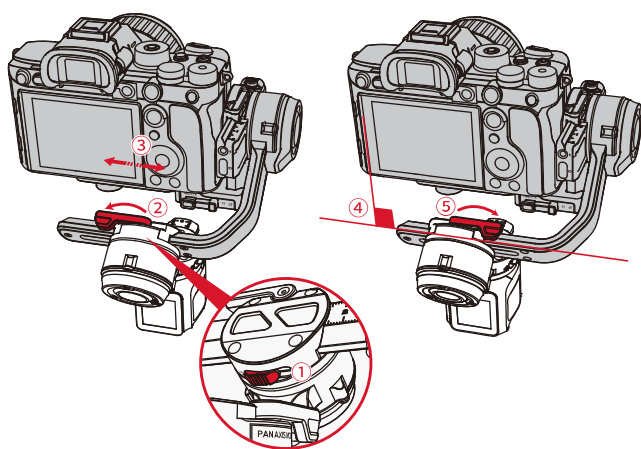
Vertical Balance of the Tilt Axis

Unlock the tilt axis arm, make the lens face up, loosen the level mount lock screw ①. Push the whole level mount to move forward or backward ②. Push until the camera can stay still with the lens facing up (i.e. the camera stays still and vertical to the ground) ③. Complete this step by tightening up the screw ④.



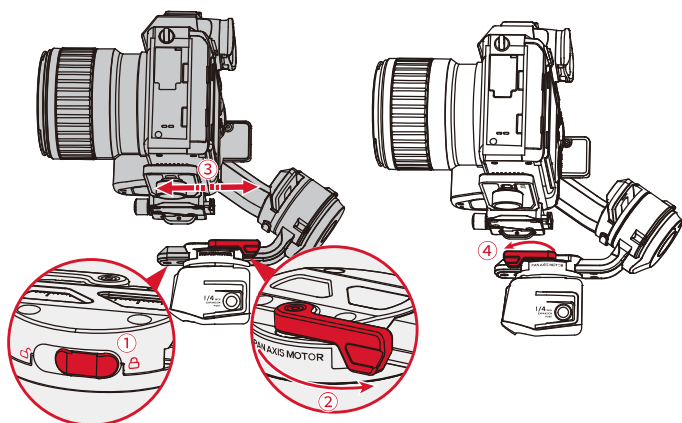
Roll Axis Balance

Unlock the roll axis, loosen the roll axis latch, push the roll axis arm to move left or right until the camera can stay still and horizontal to the ground (as shown below). Complete this step by tightening up the latch.



Pan Axis Balance

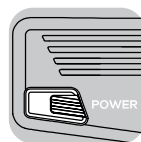
Unlock the pan axis, loosen the pan axis latch, hold and slightly tilt the handle, push the pan axis to move left or right until the pan axis can stay still in any position. Complete this step by tightening up the pan axis latch



💡 After balancing CRANE-M3, the motor torque needs to be adjusted for proper function. It is recommended to use “Auto Calibration” in the touch screen menu.

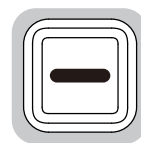
6. How to Use CRANE-M3

Buttons Description



Power Button

Single press: Lock/unlock the touch screen
Press and hold: Power on/off



Photo/Video Button

Single press: Start/stop filming video
Double press: Take photo



M Button

Single press: Switch gimbal modes (PF-L-F)
Double press: Switch gimbal modes (POV-V)
Press and hold: Sleep mode/wake mode for the gimbal motor



Fill Light Control Wheel

Single press: Switch between brightness/color temperature
Press and hold: Turn on/off the fill light
Toggle up/down: Adjust brightness/color temperature



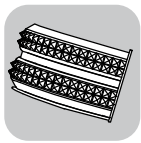
Trigger Button

Double press: Reposition
Triple press: 180°rotation for the pan axis motor
Press and hold: Enter Go Mode. Release to return to the previous mode.



Joystick

Push the joystick up/down/left/right to control the gimbal to rotate.



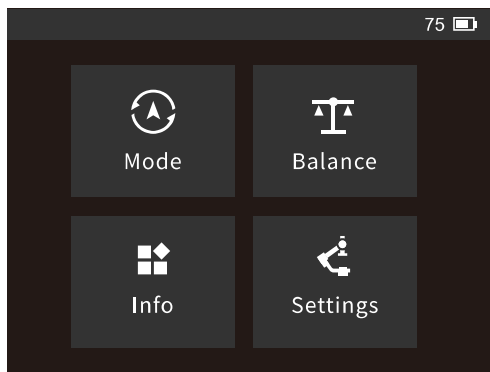
Adjustment Wheel

Adjust customized setting (aperture, shutter, ISO, zoom), can customize on the touch screen

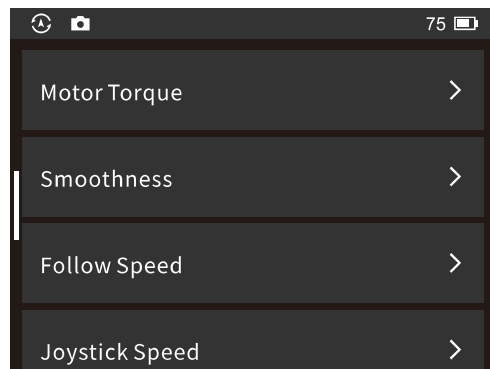
7. Connect to “ZY Cami” App

1. Power on CRANE-M3 and turn on Bluetooth on the smartphone.
2. Launch the “ZY Play” app. Select the CRANE-M3 page and tap to connect. Select the Bluetooth name of your CRANE-M3 to connect (the CRANE-M3 Bluetooth name can be found on the side of the tilt axis USER ID: XXXX).
3. Activation on the ZY Play app is required if the CRANE-M3 is being used for the first time. Internet connection is required. After the activation succeeds, you can enter the camera interface of ZY Play App.

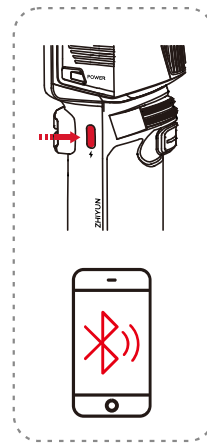
Touch Screen Introduction



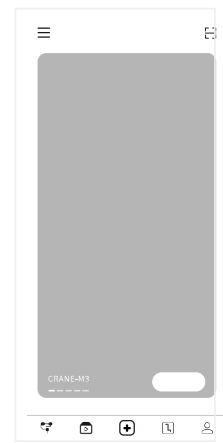
Main page (set as default)



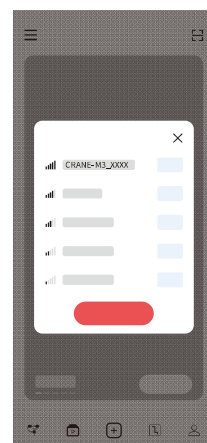
Swipe left in the submenu (return to the previous menu)



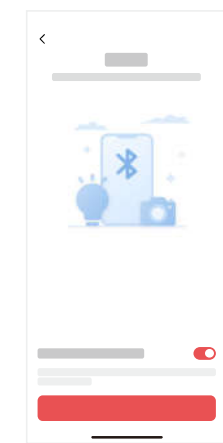
1




2



3



4

-  ① “ZY Play” is an app dedicated to CRANE-M3. When activated CRANE-M3 via "ZY Play", you can also use it for firmware upgrade, virtual joystick control, motion sensor control, timelapse, etc.
- ② ZY Play is subject to updates without notice. Please always refer to the latest version.

Disclaimer and Warning

Thank you for purchasing CRANE-M3. The information contains herein affects your safety, legitimate rights and obligation. Please read this instruction carefully to ensure proper configuration before use. Failure to read and follow this instruction and warnings herein may result in serious injury to you or bystanders, or damage to your device or property. Guilin Zhishen Information Technology Co., Ltd (hereinafter referred to as "ZHIYUN") reserves all rights for final explanation on this instruction and other documents related to CRANE-M3. The information is subject to update without notice. Please visit www.zhiyun-tech.com to obtain the latest product information.

By using this product, you hereby signify that you have read this document carefully and that you understand and agree to abide by the terms and conditions herein. You agree that you are solely responsible for your own conduct while using this product, and for any consequences thereof. You agree to use this product only for purposes that are proper and in accordance with all terms, precautions, practices, policies and guidelines ZHIYUN has made and may make available.

ZHIYUN accepts no liability for damage, injury or any legal responsibility incurred directly or indirectly from the use of this product. Users shall observe safe and lawful practices including, but not limited to, those set forth herein.

ZHIYUN™, TransMount™ are the trademark of Guilin Zhishen Information Technology Co., Ltd and its affiliates. All product names or trademarks referred to herein are trademarks or registered trademarks of their respective holders.

Reading Tips

Legends:  Hints and  Tips Important

Warnings

Read the ENTIRE User Guide to become familiar with the features of this product before operating. Failure to operate the product correctly can result in damage to the product or personal property and cause serious injury. This is a sophisticated product. It must be operated with caution and common sense and requires some basic mechanical ability. Failure to operate this product in a safe and responsible manner could result in injury or damage to the product or other property. This product is not intended for use by children without direct adult supervision. DO NOT use with incompatible components or in any way otherwise as mentioned or instructed in the product documents provided by ZHIYUN. The safety guidelines herein contain instructions for safety, operation and maintenance. It is essential to read and follow all of the instructions and warnings in the User Guide, prior to assembly, setup or use, in order to operate the product correctly and avoid damage or serious injury.

Safe Operation Guidelines

CAUTION:

1. CRANE-M3 is a high-precision control device. Damage may be caused to CRANE-M3 if dropped or subject to external force, and this may result in malfunction.
2. Make sure the rotation of the gimbal axes is not blocked by external force when CRANE-M3 is turned on.
3. CRANE-M3 is not waterproof. Prevent contacts of any kind of liquid or cleaner with the CRANE-M3. It is recommended to use dry cloth for cleaning.
4. Protect CRANE-M3 from dust and sand during use.

WARNING : To avoid fire, serious injury, and property damage, observe the following safety guidelines when using, charging, or storing your batteries.

1. Prevent the batteries from coming into contact with any kind of liquid. Do not leave batteries out in the rain or near a source of moisture. Do not drop the battery into water. If the inside of the battery comes into contact with water, chemical decomposition may occur, potentially resulting in the battery catching on fire, and may even lead to an explosion.
2. If the battery catches fire, use sand or dry powder fire extinguisher immediately to put out the fire..

- Never use non-ZHIYUN batteries. If replacement or backup is needed, please purchase new batteries from ZHIYUN's official website or authorized channels. ZHIYUN takes no responsibility for any damage caused by non-ZHIYUN batteries.
- Never use or charge swollen, leaky, or damaged batteries. Never use or charge if the battery smells, or overheats (exceeding the maximum temperature of 160 ° F/71 ° C). If your batteries are abnormal, contact ZHIYUN or a ZHIYUN authorized dealer for further assistance.
- The battery should be used within the temperature range from -10° C to 60° C. Use of battery in environments above 60° C may lead to a fire or explosion. Use of battery below -10° C may lead to serious battery damage.
- Do not use the battery in strong electrostatic or electromagnetic environments. Otherwise, the battery protection board may malfunction.
- Do not disassemble or use any sharp object to puncture the battery in any way. Otherwise, the battery may leak, catch fire or explode.
- Do not mechanically strike, crush, or throw the battery. Do not place heavy objects on the battery or charger.
- Electrolytes inside the battery are highly corrosive. In case of accidental contact of any electrolytes with your skin or eyes, rinse immediately with water for at least 15 minutes and seek medical advice as soon as possible.
- Do not use the battery if it has been involved in a crash or heavy impact.
- Do not heat the battery and never put the battery in a microwave oven or in a pressurized container.
- Do not place the battery on a conductive surface (such as a metal desk surface, eyeglasses, watch, jewelry, etc.)
- Prevent use of wires or other metal objects that could cause positive and negative short-circuit to the battery.

Battery Charging

- Do not put the battery and charger near flammable materials or on flammable surfaces (such as carpet or wood). Never leave the battery unattended during charging to prevent any accident.
- Please disconnect the battery and the charger when fully charged.
- Do not charge the battery immediately after use, because the

battery temperature may be too high. Do not charge the battery until it cools down to normal room temperature. Charging the battery with its temperature over 45° C or lower than 0° C may lead to leakage, overheating, or damage.

Battery Storage

- Keep batteries out of the reach of children and pets.
- Do not leave the battery near heat sources such as a furnace or heater, or inside of a vehicle on hot days. Never expose the battery in any environment with temperature of over 60° C. The ideal storage temperature is 22° C-28° C.
- Store batteries in a dry environment.
- Do not leave the battery unused for too long after it has been completely discharged to prevent over-discharge of battery which may result in battery damage and permanent failure.

Battery Maintenance

- Do not over-charge or over-discharge the battery, which will damage the battery;
- The battery performance will be affected for not being used for a long time;
- Never use the battery when the temperature is too high or too low;
- Do not store the battery in any environment with a temperature of over 60°C.
- Recharge and discharge every 3 months to keep the battery active.

Battery Disposal

Please fully discharge the battery before putting it in the designated recycling bin. Batteries contain hazardous constituents and it is forbidden to put the battery in general waste bin. For related details please abide by the local laws and regulations on battery recycling and disposal.

Warranty Period

- Customers are entitled to replacement or free repair service in case of quality deficits found in the product within 15 days upon receipt of the product.
- Customers are entitled to free repair service from ZHIYUN for any product proven defective in material or workmanship that results in product failure during normal consumer usage and conditions within the valid warranty period, which is 12 months counting from the date of selling. However, warranty period

varies by product component and country of purchase. Please contact our after-sales service team on the ZHIYUN official website or your place of purchase for detailed warranty information.

Warranty Exclusions

1. Products subjected to unauthorized repair, misuse, collision, neglect, mishandling, soaking, accident, and unauthorized alteration.
2. Products subjected to improper use or whose labels or security tags have been torn off or altered.
3. Products whose warranty has expired.
4. Products damaged due to force majeure, such as fire, flood, lightning, etc.

Warranty Claim Procedure

1. If failure or any problem occurs to your product after purchase, please contact a local agent for assistance, or you can always contact ZHIYUN's customer service through email at info@zhiyun-tech.com or website at www.zhiyun-tech.com.
2. Your local agent or ZHIYUN's customer service will guide you through the whole service procedure regarding any product issue or problem you have encountered. ZHIYUN reserves the right to reexamine damaged or returned products.

Scan the QR code below to know more about our products.



Official website Facebook (Zhiyun Tech) Facebook (Zhiyun Support) Instagram YouTube

Quality Certificate

Please download the latest version from www.zhiyun-tech.com

This document is subject to change without notice.

ZHIYUN™ are the trademark of ZHISHEN.

Copyright © 2021 ZHISHEN. All rights reserved.

Tel: +86 400 900 6868

USA Hotline: +1 808-319-6137, 9:00-18:00 GMT-7, Mon-Fri

Europe Hotline: +49 (0)6101 8132 180, 10:00-17:00 GMT+1, Mon-Fri

Email: info@zhiyun-tech.com

Website: www.zhiyun-tech.com

Address: 09 Huangtong Road, Tieshan Industrial Zone, Qixing District,

Guilin, 541004, Guangxi, China

zhiyun-tech.com



If at any time in the future you should need to dispose of this product please note that: Waste electrical products should not be disposed of with household waste. Please recycle where facilities exist. Check with your Local Authority or retailer for recycling advice. (Waste Electrical and Electronic Equipment Directive)

NOTE: This equipment has been tested and found to comply with the limits for a Class B digital device, pursuant to part 15 of the FCC Rules.

These limits are designed to provide reasonable protection against harmful interference in a residential installation. This equipment generates uses and can radiate radio frequency energy and, if not installed and used in accordance with the instructions, may cause harmful interference to radio communications. However, there is no guarantee that interference will not occur in a particular installation. If this equipment does cause harmful interference to radio or television reception, which can be determined by turning the equipment off and on, the user is encouraged to try to correct the interference by one or more of the following measures:

- Reorient or relocate the receiving antenna.
- Increase the separation between the equipment and receiver.
- Connect the equipment into an outlet on a circuit different from that to which the receiver is connected.
- Consult the dealer or an experienced radio/TV technician for help.

NOTE: The manufacturer is not responsible for any radio or TV interference caused by unauthorized modifications to this equipment. Such modifications could void the user's authority to operate the equipment.

RF Exposure:

The device has been evaluated to meet general RF exposure requirement, The device can be used in portable exposure condition without restriction Federal Communication Commission (FCC) Radiation Exposure Statement Power is so low that no RF exposure calculation is needed.

This device complies with part 15 of the FCC Rules. Operation is subject to the following two conditions: (1) This device may not cause harmful interference, and (2) this device must accept any interference received, including interference that may cause undesired operation.

Any Changes or modifications not expressly approved by the party responsible for compliance could void the user's authority to operate the equipment.